

US00D941117S

(12) **United States Design Patent**
Rampen

(10) **Patent No.:** **US D941,117 S**

(45) **Date of Patent:** **** Jan. 18, 2022**

(54) **APPLIANCE DOOR LOCK**

(71) Applicant: **Edmond Rampen**, Oakville (CA)

(72) Inventor: **Edmond Rampen**, Oakville (CA)

(**) Term: **15 Years**

(21) Appl. No.: **29/627,548**

(22) Filed: **Nov. 28, 2017**

(30) **Foreign Application Priority Data**

Jul. 11, 2017 (CA) CA 175808

(51) **LOC (13) Cl.** **08-07**

(52) **U.S. Cl.**

USPC **D8/339**

CPC **F16M 11/16** (2013.01)

(58) **Field of Classification Search**

USPC D8/5-32, 29.1, 29.2, 382-386, 396-399,
D8/70, 70.1, 71-74, 471, 83, 104-107,
D8/354, 360-372, 355-359, 330-349;
81/60, 31, 63.1, 119, 121.1, 177.1, 177.2,
81/177.8, 177.85, 489, 487, 124, 186, 4;
70/14-28, 57, 57.1, 58, 151-143, 114,
70/158, 224, 226, 431, 465, 70, 303 R,
70/49, 386; 292/299, 307 R; 24/16 R,
24/17 B, 599.1, 599.5, 599.9

CPC F16M 13/022; F16M 11/16; F16M 11/104;
A61G 13/101; A47B 96/06; F16B 2/10;
F16B 45/00; F16B 7/10; F16B 45/02;
A47G 25/483; E05B 69/003; E05B 71/00;
E05B 73/005; E05B 17/142; E05B
37/0068; E05B 37/025; E05B 37/08;
E05B 67/063; E05B 67/22; E05B 67/24;
E05B 67/28; E05B 67/32; E05B 67/36;
E05B 67/365; E05B 67/38; E05B 67/383;
E05B 37/004; E05B 17/443; E05B 19/18;
E05B 19/188; E05B 73/0005; E05B
15/1614; E05B 67/003; E05B 37/0031;
E05B 37/02; E05B 69/00; E05B 67/06;
E05B 73/00; E05B 37/00; E05B 65/52;

E05B 73/0082; B62H 5/001; E05C
19/188; E05C 17/443; E05C 19/18; B60R
25/08; A01K 27/003; Y10S 24/35

See application file for complete search history.

(56) **References Cited**

U.S. PATENT DOCUMENTS

D242,596	S	*	12/1976	Munson	D8/339
D299,486	S	*	1/1989	Takimoto	D8/302
D299,487	S	*	1/1989	Takimoto	D8/302
4,818,502	A	*	4/1989	Taschner	E05C 3/048 206/368
D302,937	S	*	8/1989	Briggs	D8/344
4,915,913	A	*	4/1990	Williams	A61L 2/26 220/324
4,920,771	A	*	5/1990	Jiang	E05B 37/02 70/312
D324,637	S	*	3/1992	Nicholoulis	D8/331
D326,402	S	*	5/1992	Nicholoulis	D8/331

(Continued)

Primary Examiner — Richard E Chilcot

(74) *Attorney, Agent, or Firm* — Westman, Champlin & Koehler, P.A.

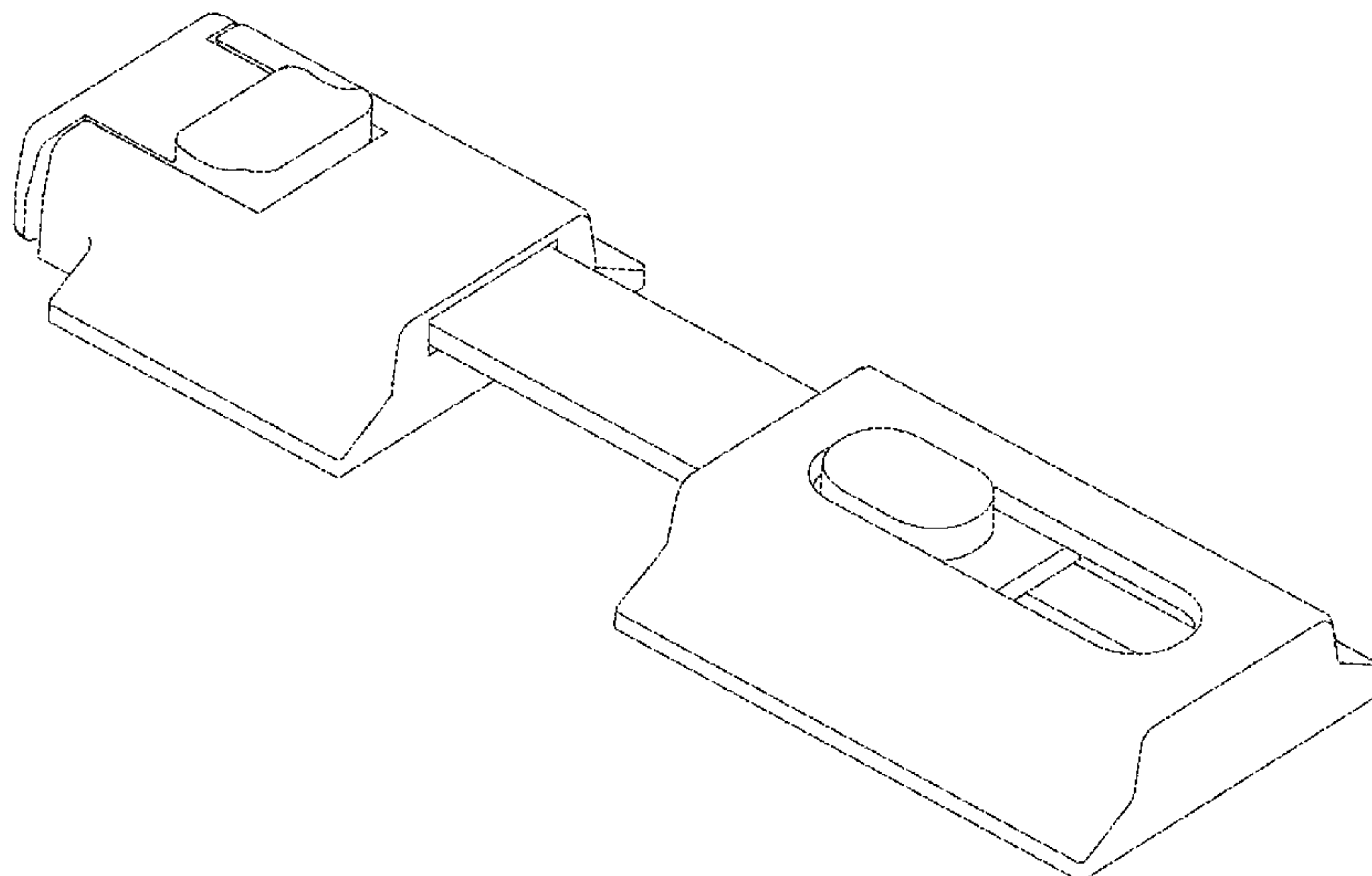
(57) **CLAIM**

The ornamental design for an appliance door lock, as shown and described.

DESCRIPTION

FIG. 1 is an upper right side perspective view of the appliance door lock;
FIG. 2 is an upper left perspective view of the appliance door lock;
FIG. 3 is a top view of the appliance door lock;
FIG. 4 is a side view of the appliance door lock, the opposite side being a mirror image;
FIG. 5 is a right end view of the appliance door lock; and,
FIG. 6 is a left end view of the appliance door lock.
The bottom of the appliance door lock has unornamented surfaces for attachment to an appliance.

1 Claim, 3 Drawing Sheets



US D941,117 S

Page 2

(56)

References Cited

U.S. PATENT DOCUMENTS

D344,442 S *	2/1994	Myers	D8/341	6,834,896 B2 *	12/2004	Smith	E05C 19/18 292/259 R
D344,668 S *	3/1994	Nicholoulis	D8/331	7,044,512 B1 *	5/2006	Moreno	B65D 90/008 292/259 R
D349,446 S *	8/1994	Brunette	D8/331	D548,044 S *	8/2007	Tang	D8/323
5,351,509 A *	10/1994	Visenzi	A45C 13/18 70/159	7,380,846 B1 *	6/2008	Moreno	E05B 39/02 248/515
D351,984 S *	11/1994	Victor	D8/331	D617,626 S *	6/2010	David	D8/333
D371,203 S *	6/1996	Deeds	D24/217	8,056,945 B2 *	11/2011	Moreno	E05B 39/00 292/321
D419,425 S *	1/2000	Clark	D8/343	D727,734 S *	4/2015	Kwak	D9/456
D458,578 S *	6/2002	Hrysko	D12/400	9,175,913 B2 *	11/2015	Cupps	F41A 3/72
6,418,760 B1 *	7/2002	Fettes	A45C 13/1053 24/167	9,341,002 B2 *	5/2016	Kongshammer	E05B 65/0007
6,547,293 B1 *	4/2003	Cheng	E05C 19/14 292/113	D763,659 S *	8/2016	Tung	D8/330
D481,614 S *	11/2003	Onel	E05C 19/186 D8/331	D775,509 S *	1/2017	Marsden	D8/331
D489,595 S *	5/2004	Gleichauf	D8/336	D780,554 S *	3/2017	Marsden	D8/330
D491,441 S *	6/2004	Sato	D8/331	D789,176 S *	6/2017	Bruce	D8/339
				D836,419 S *	12/2018	Marsden	D8/336
				D890,596 S *	7/2020	Piggott	D8/331
				D899,891 S *	10/2020	Xie	D8/330
				D915,178 S *	4/2021	Tien	D8/343

* cited by examiner

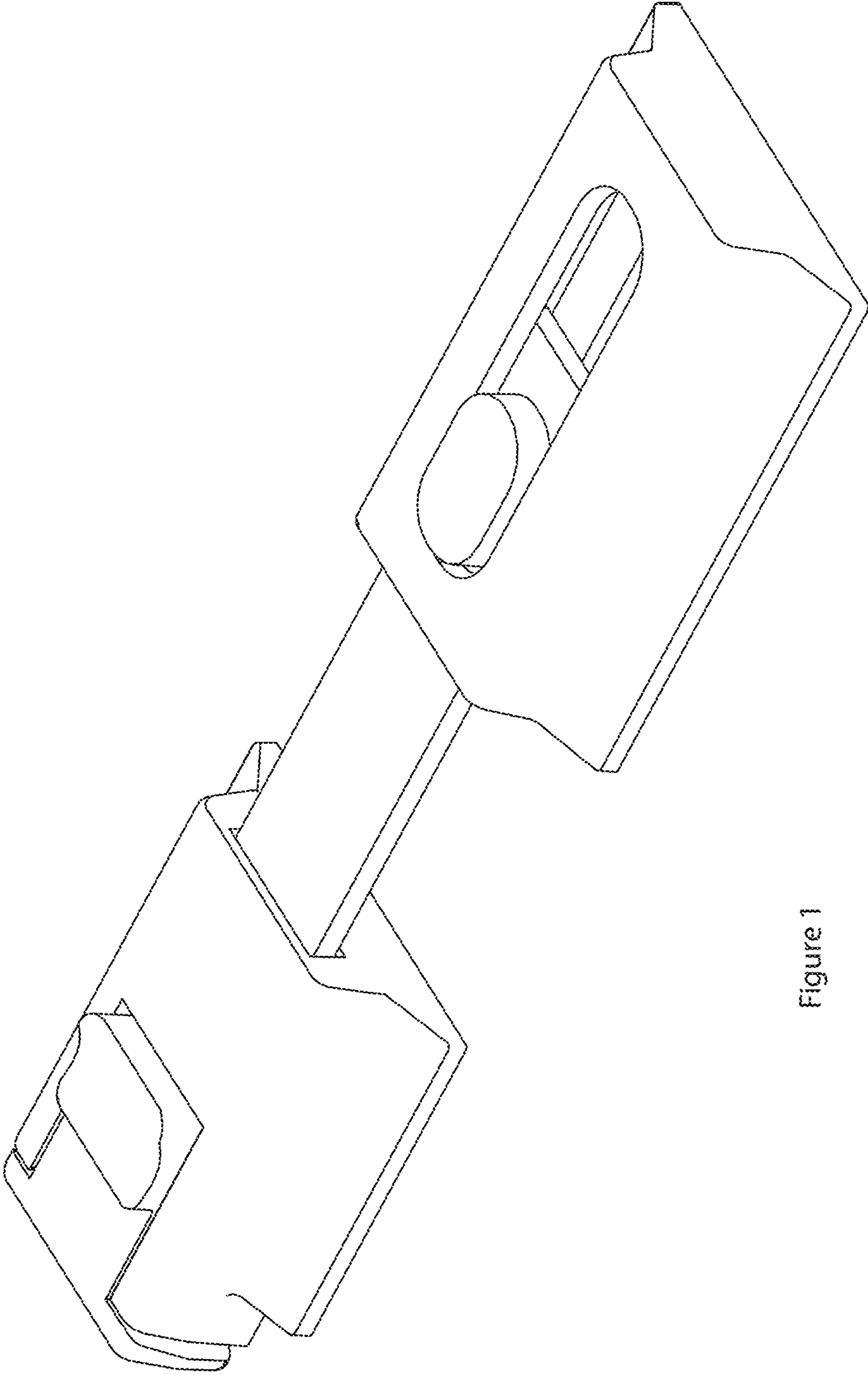


Figure 1

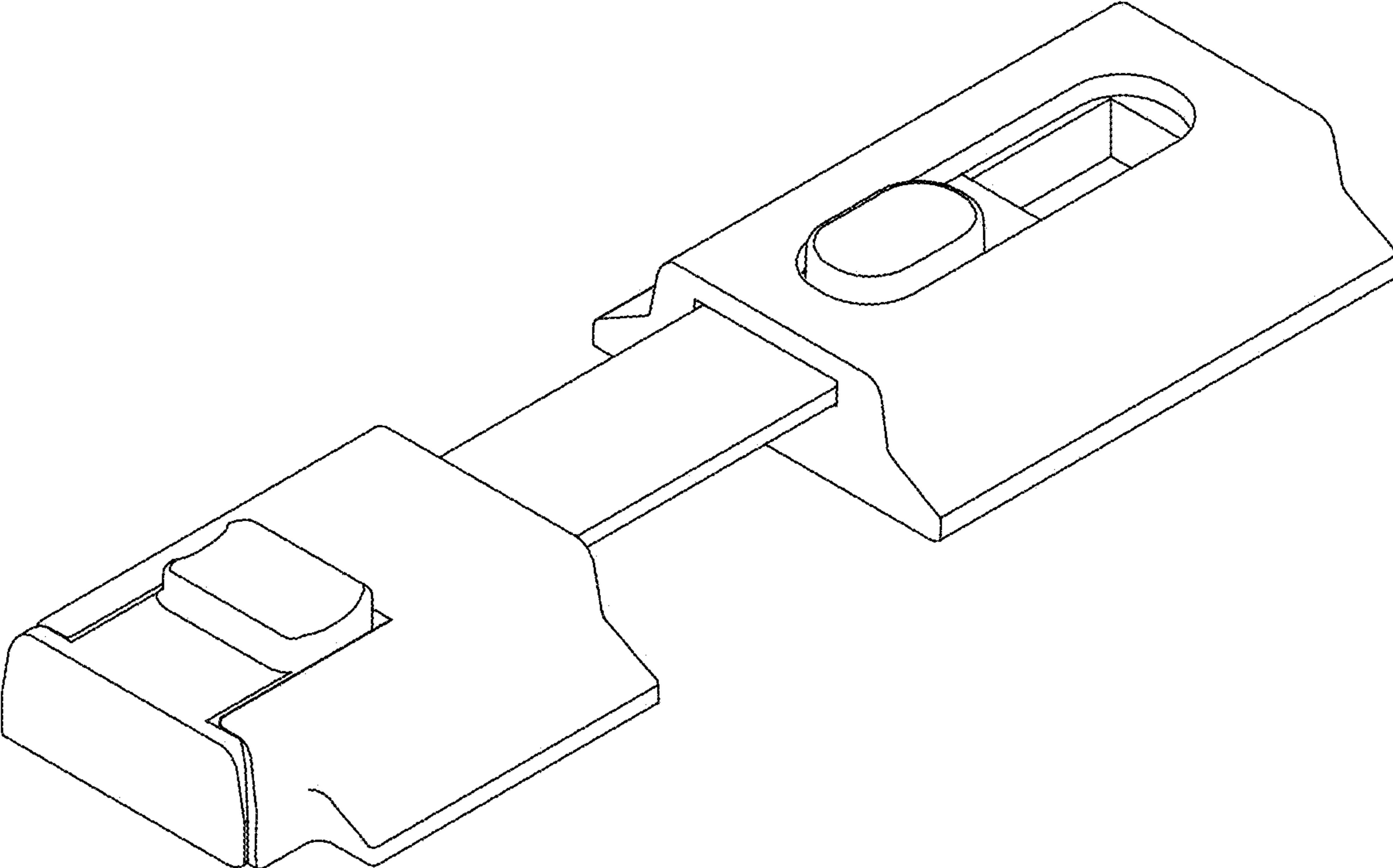


Figure 2

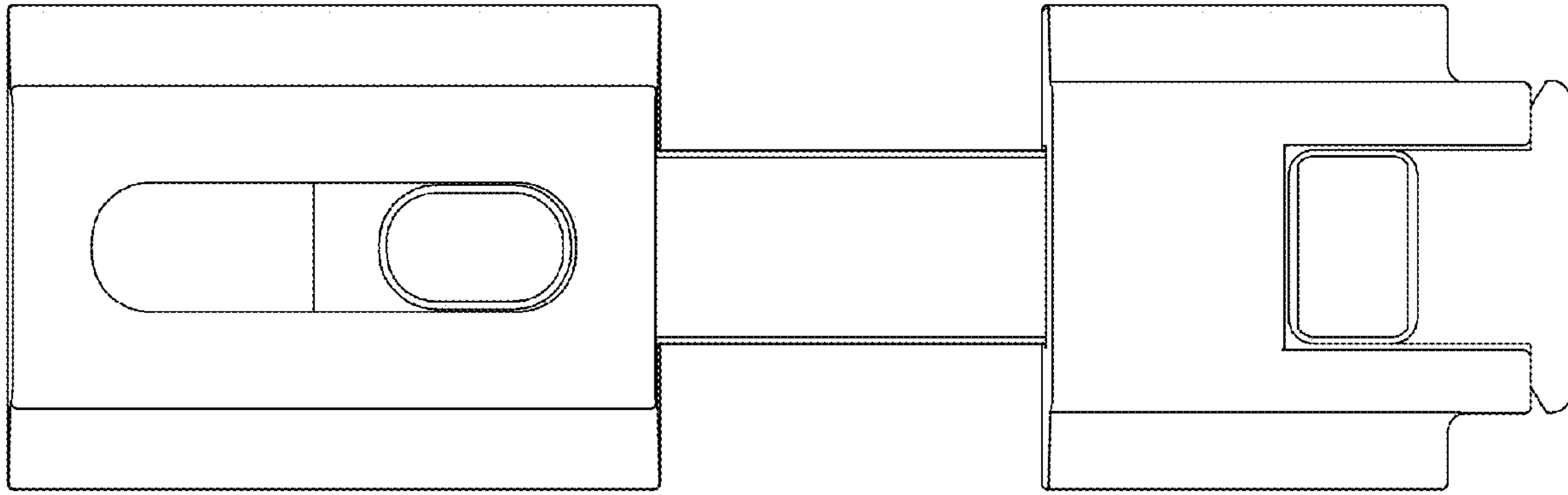


Figure 3

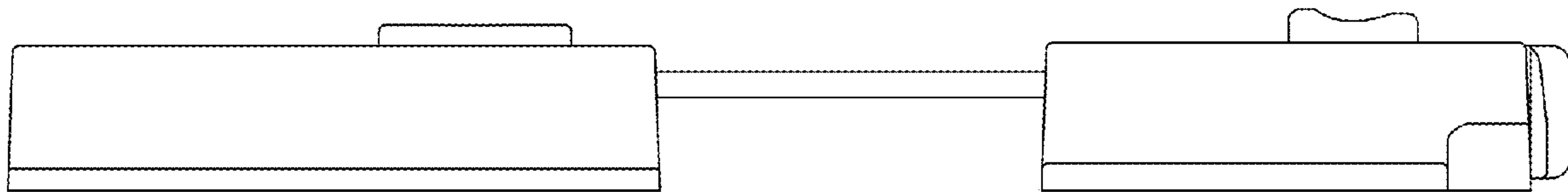


Figure 4

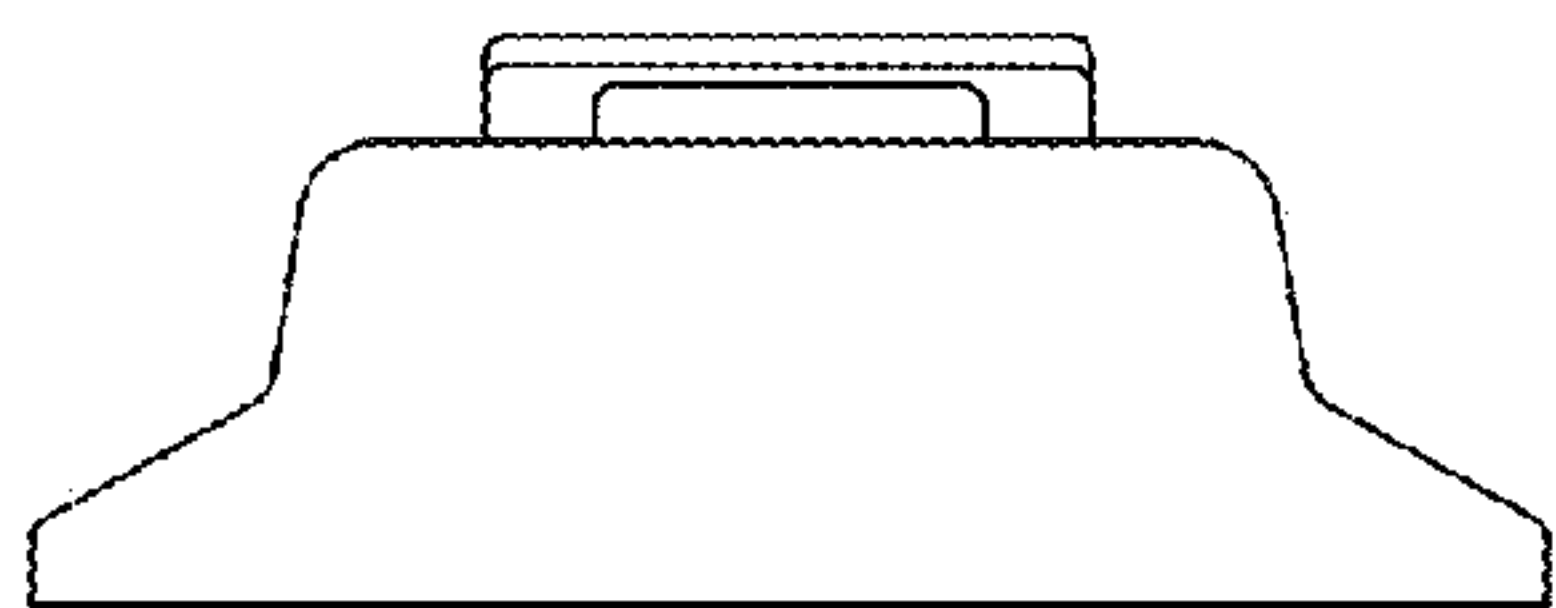


Figure 5

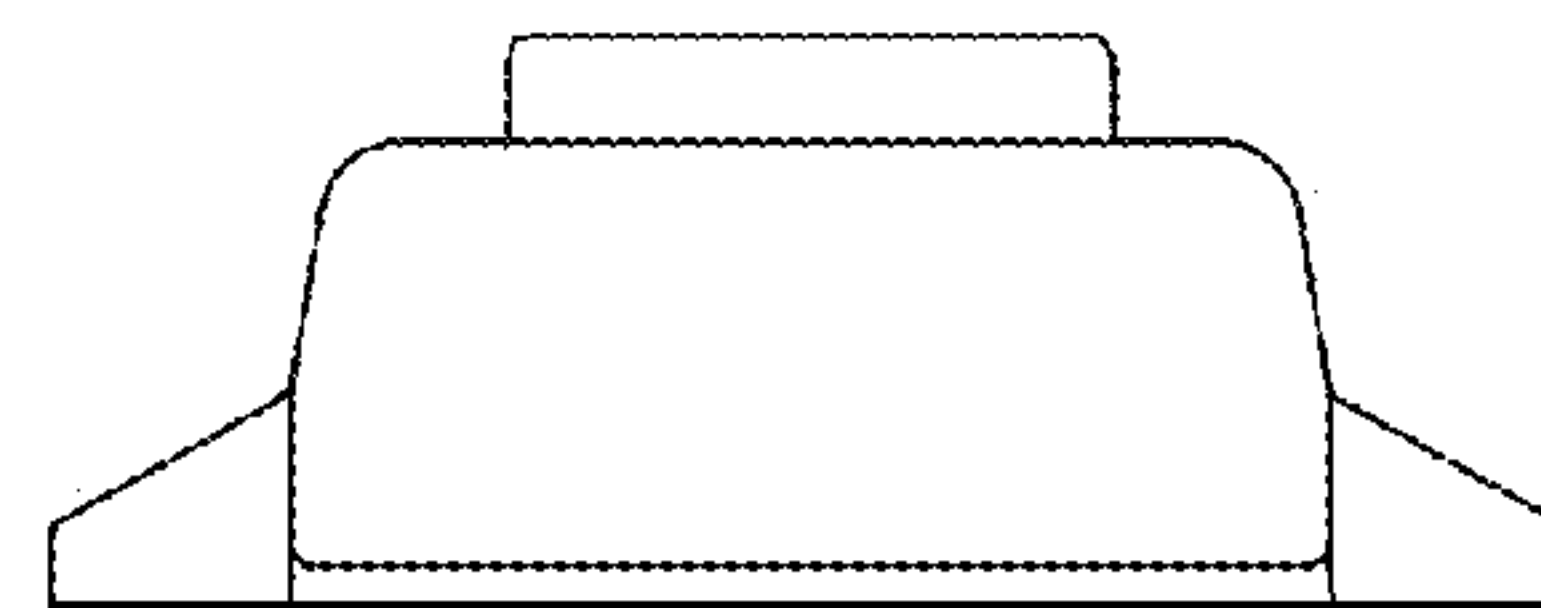


Figure 6