



US00D941116S

(12) **United States Design Patent** (10) **Patent No.:** **US D941,116 S**  
**Rampen** (45) **Date of Patent:** **\*\* Jan. 18, 2022**

(54) **DOOR LOCK**

(71) Applicant: **Edmond Rampen**, Oakville (CA)

(72) Inventor: **Edmond Rampen**, Oakville (CA)

(\*\*) Term: **15 Years**

(21) Appl. No.: **29/627,550**

(22) Filed: **Nov. 28, 2017**

(30) **Foreign Application Priority Data**

Jul. 11, 2017 (CA) ..... CA 175833

(51) **LOC (13) Cl.** ..... **08-07**

(52) **U.S. Cl.**

USPC ..... **D8/336**

CPC ..... **F16M 11/16** (2013.01)

(58) **Field of Classification Search**

USPC ..... D8/5-32, 382-386, 396-399, 70, 70.1,  
D8/71-74, 471, 83, 104-107, 354,  
D8/355-359, 360-372, 330-349; 81/60,  
81/31, 63.1, 119, 121.1, 177.1, 177.2,  
81/177.8, 177.85, 489, 487, 124, 186, 4;  
70/14-28, 57, 57.1, 58, 151-143, 114,  
70/158, 224, 226, 431, 465, 70, 303 R,  
70/49, 386; 292/299, 307 R; 24/16 R,  
24/17 B, 599.1, 599.5, 599.9

CPC .... F16M 13/022; F16M 11/16; F16M 11/104;  
A61G 13/101; A47B 96/06; F16B 2/10;  
F16B 45/00; F16B 7/10; F16B 45/02;  
A47G 25/483; E05B 69/003; E05B 71/00;  
E05B 73/005; E05B 17/142; E05B  
37/0068; E05B 37/025; E05B 37/08;  
E05B 67/063; E05B 67/22; E05B 67/24;  
E05B 67/28; E05B 67/32; E05B 67/36;  
E05B 67/365; E05B 67/38; E05B 67/383;  
E05B 37/004; E05B 17/443; E05B 19/18;  
E05B 19/188; E05B 73/0005; E05B  
15/1614; E05B 67/003; E05B 37/0031;  
E05B 37/02; E05B 69/00; E05B 67/06;  
E05B 73/00; E05B 37/00; E05B 65/52;

E05B 73/0082; B62H 5/001; E05C  
19/188; E05C 17/443; E05C 19/18; B60R  
25/08; A01K 27/003; Y10S 24/35

See application file for complete search history.

(56) **References Cited**

U.S. PATENT DOCUMENTS

5,245,727	A *	9/1993	Sasaki	.....	E05D 5/08
					16/240
D489,595	S *	5/2004	Gleichauf	.....	D8/336
D534,053	S *	12/2006	Sozzi	.....	D8/329
D548,044	S *	8/2007	Tang	.....	D8/323
D639,138	S *	6/2011	Gordon	.....	D8/330
D639,140	S *	6/2011	Bergmann	.....	D8/343
D649,008	S *	11/2011	Caffin	.....	D8/323
D649,011	S *	11/2011	Gordon	.....	D8/330
D670,152	S *	11/2012	Gordon	.....	D8/330
D727,134	S *	4/2015	Yamamoto	.....	D8/336
D789,766	S *	6/2017	Todd, Jr.	.....	D8/323
D791,575	S *	7/2017	Hochman	.....	D8/343
D804,280	S *	12/2017	Atkinson, Jr.	.....	D8/331
10,065,564	B2 *	9/2018	Romero Contreras	...	B60R 7/02

(Continued)

*Primary Examiner* — Richard E Chilcot

(74) *Attorney, Agent, or Firm* — Westman, Champlin & Koehler, P.A.

(57) **CLAIM**

The ornamental design for a door lock, as shown and described.

**DESCRIPTION**

FIG. 1 is an upper front side perspective view of the door lock;

FIG. 2 is an upper rear perspective view of the door lock; FIG. 3 is a top view of the door lock, a bottom view being identical;

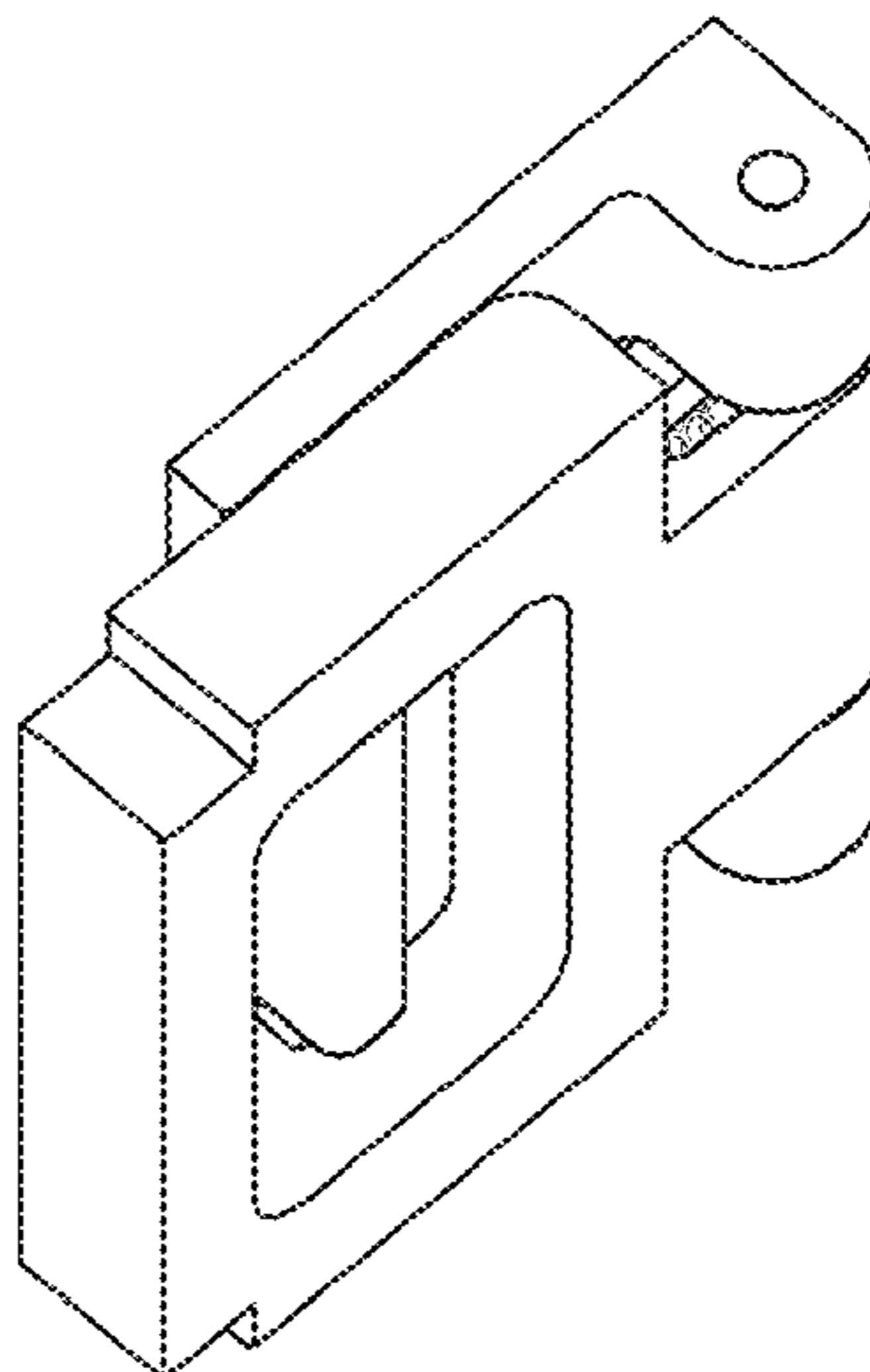
FIG. 4 is a rear elevational view of the door lock;

FIG. 5 is a left side view of the door lock;

FIG. 6 is a right side view of the door lock; and,

FIG. 7 is a front elevational view of the door lock.

**1 Claim, 3 Drawing Sheets**



(56)

**References Cited**

U.S. PATENT DOCUMENTS

D841,429 S *	2/2019	Fryer .....	D8/343
D842,679 S *	3/2019	Todd, Jr. ....	D8/323
D842,680 S *	3/2019	Huang .....	D8/330
D854,397 S *	7/2019	Hammerle .....	D8/328
D915,178 S *	4/2021	Tien .....	D8/343
2014/0353989 A1 *	12/2014	Nelson .....	E05B 15/0245 292/341.18

\* cited by examiner

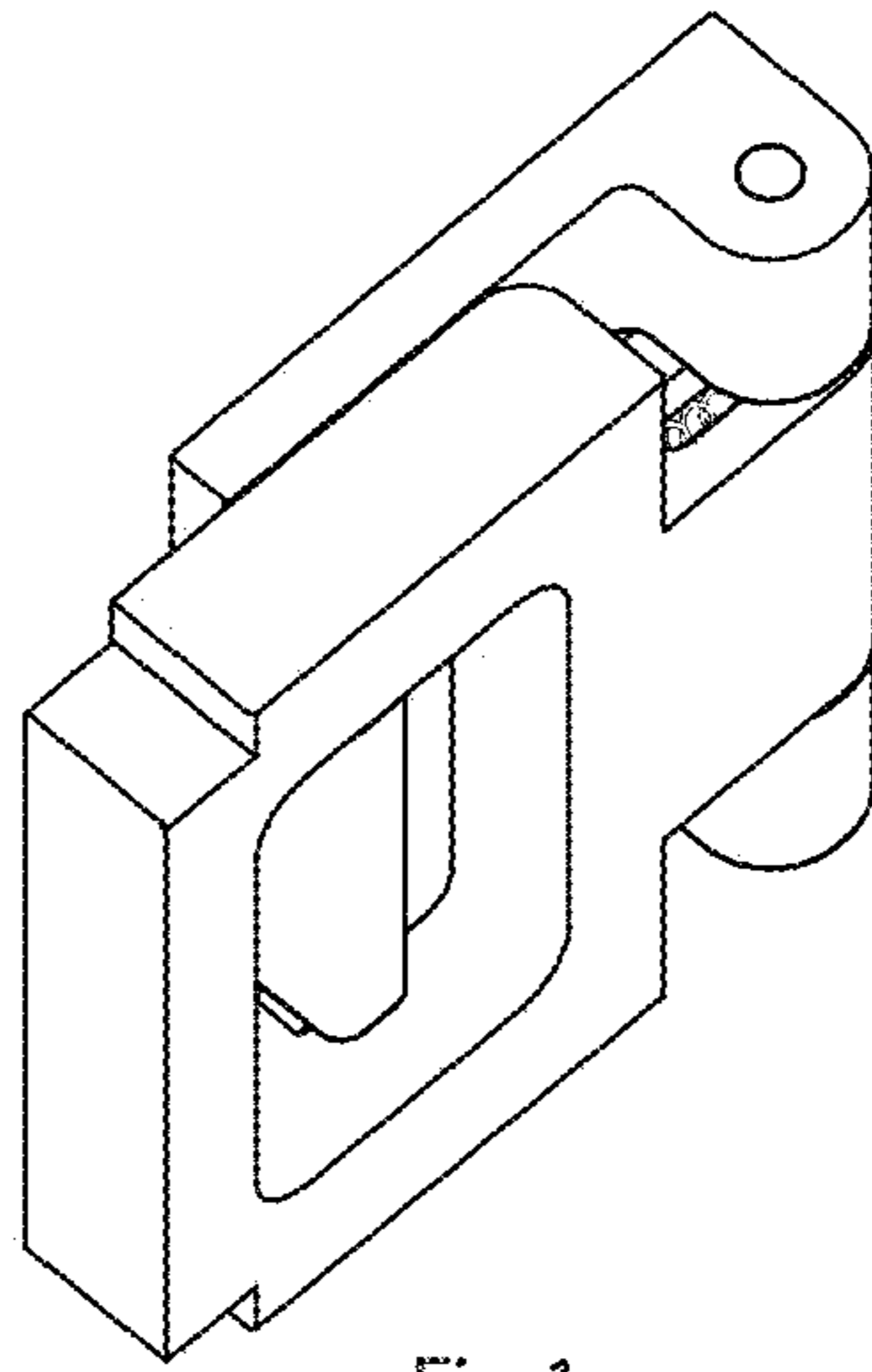


Fig 1

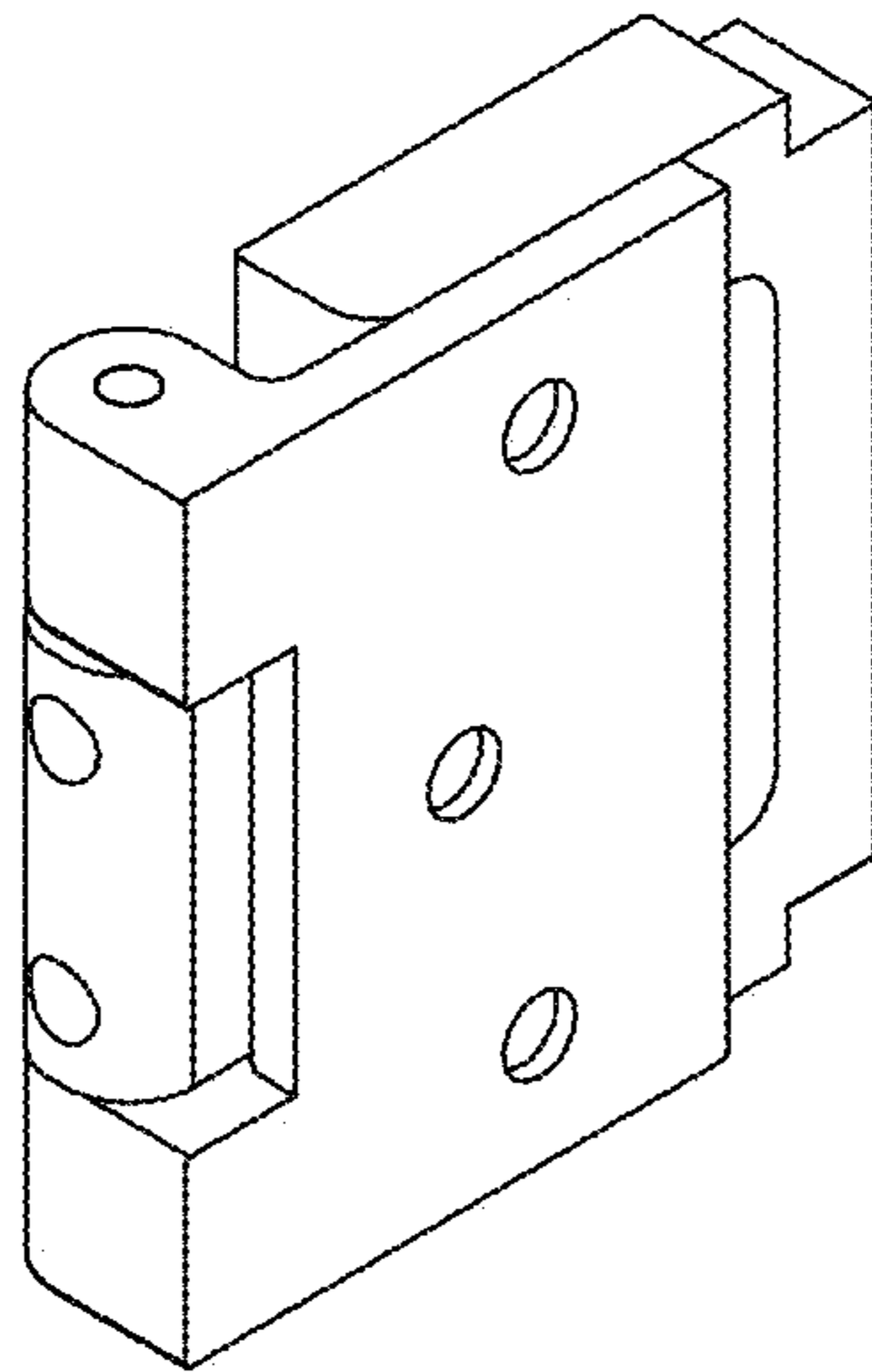


Fig 2

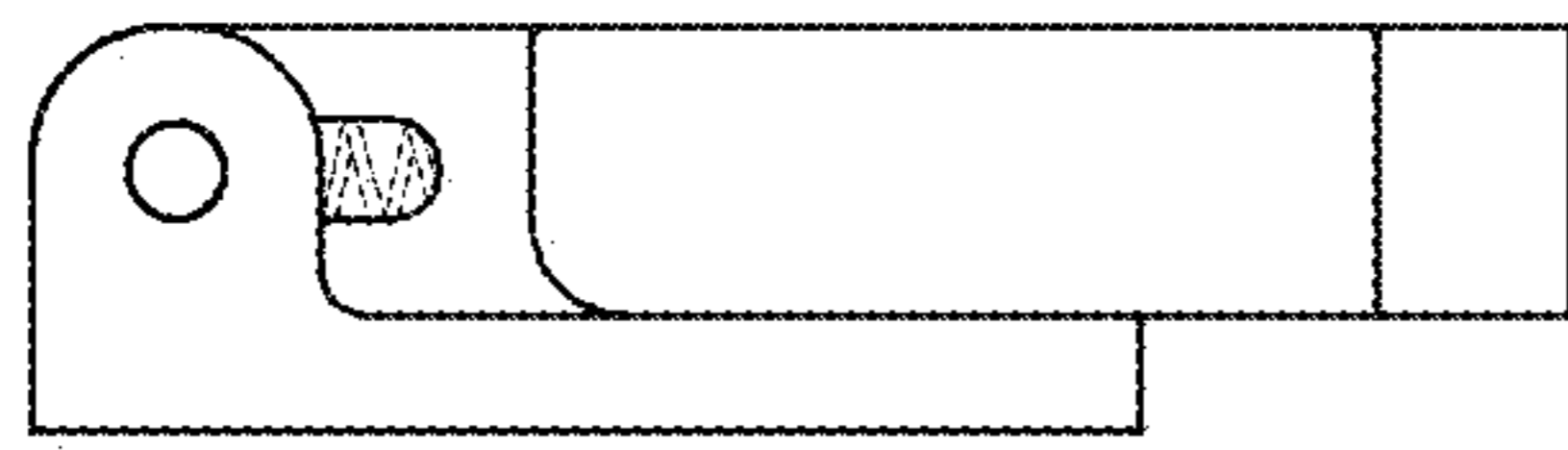


Fig 3

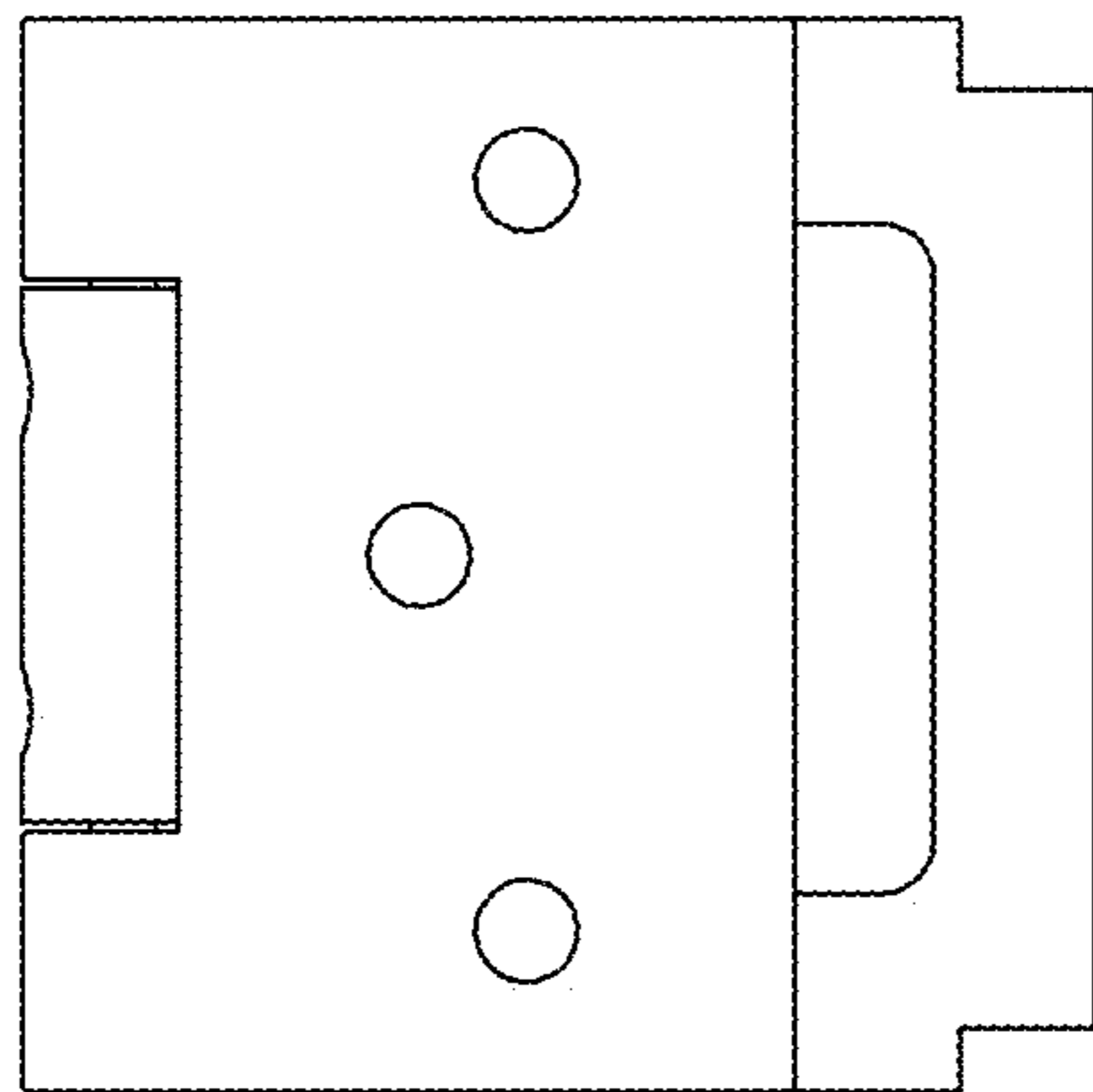


Fig 4



Fig 5

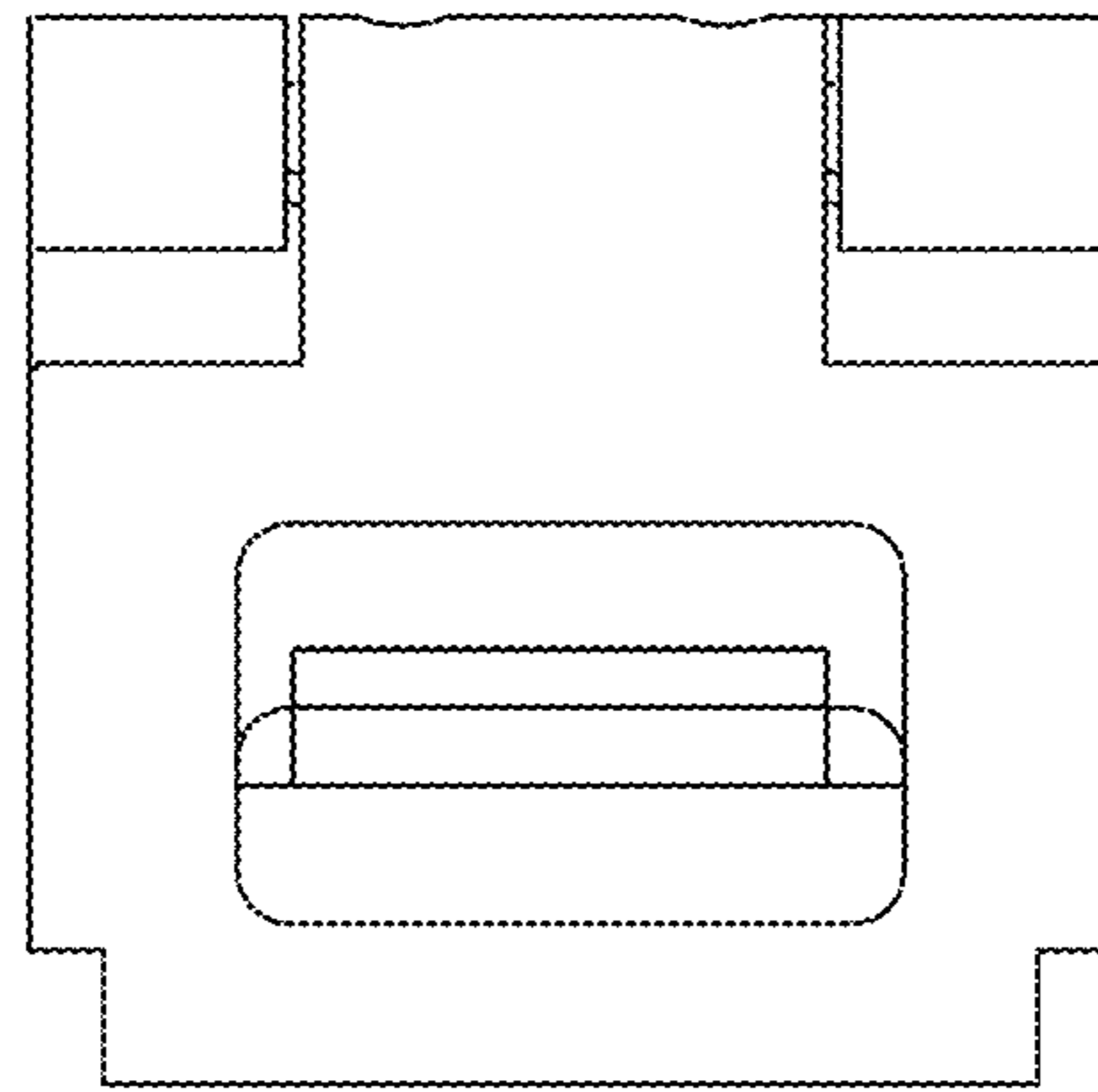


Fig 7

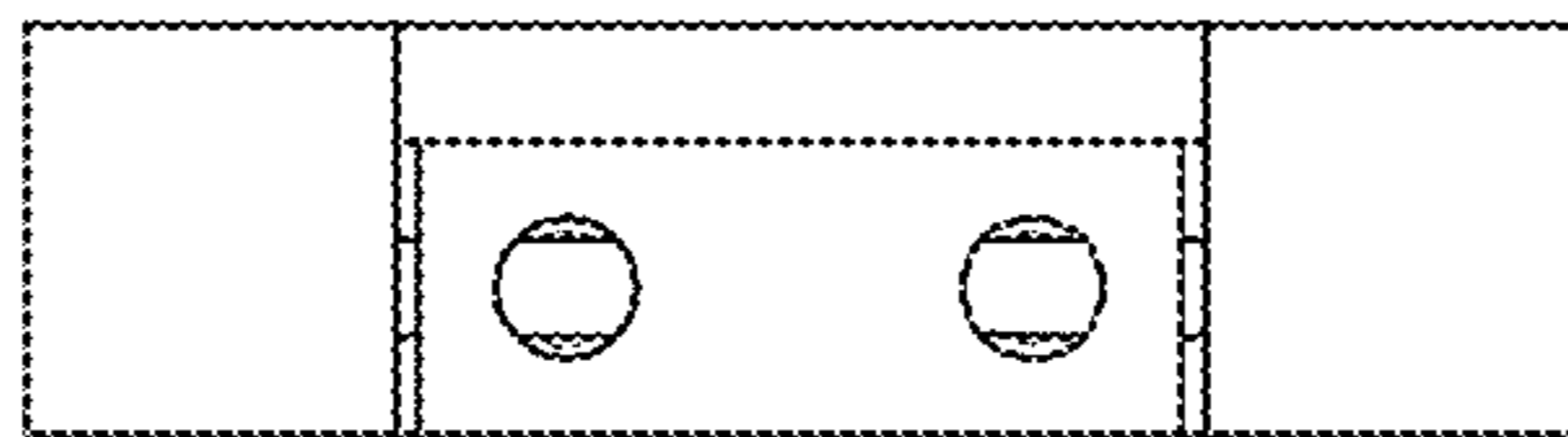


Fig 6