



US00D941114S

(12) **United States Design Patent**  
**Madden**

(10) **Patent No.:** **US D941,114 S**  
(45) **Date of Patent:** **\*\* Jan. 18, 2022**

(54) **DOOR OPENER**

(71) Applicant: **Clarity Retail Services, LLC**,  
Cincinnati, OH (US)

(72) Inventor: **Lance Madden**, Cincinnati, OH (US)

(\*\*) Term: **15 Years**

(21) Appl. No.: **29/748,023**

(22) Filed: **Aug. 26, 2020**

(51) **LOC (13) Cl.** ..... **08-06**

(52) **U.S. Cl.**  
USPC ..... **D8/308**

(58) **Field of Classification Search**  
USPC ..... D8/300-302, 307, 308, 331, 343, 367,  
D8/371, 394, 395, 396, 398  
CPC ..... Y10T 74/20612; Y10T 74/2014; Y10T  
74/20696; Y10T 74/20396; Y10T 74/206;  
Y10T 74/20618; Y10T 74/19251; Y10T  
74/2011; Y10T 29/49826; Y10T  
74/20213; Y10T 74/20822; Y10T 16/459;  
Y10S 292/27; Y10S 292/53; E05Y  
2201/244; E05Y 2400/86; E05F 11/54;  
E05F 15/616; E05B 1/0053; E05B  
1/0015; E05B 1/0069

See application file for complete search history.

(56) **References Cited**

U.S. PATENT DOCUMENTS

3,360,970 A \* 1/1968 Hays, Jr. .... E05B 1/0038  
70/282

D250,089 S \* 10/1978 Legerius ..... D8/356

6,189,183 B1 \* 2/2001 Hartselle, III ..... E05B 1/0015  
16/412

D513,171 S \* 12/2005 Richardson ..... D25/133

7,270,352 B1 9/2007 Stuart

D629,673 S \* 12/2010 Shaha ..... D8/367

D708,925 S \* 7/2014 Shenkal ..... A47K 13/10  
D8/307

9,347,252 B2 5/2016 Klein

9,822,572 B2 11/2017 Brown

D851,476 S \* 6/2019 Onishi ..... D8/308

D896,609 S \* 9/2020 Chen ..... D8/307

2002/0170198 A1 \* 11/2002 Rempe ..... E04F 21/1855  
33/647

2005/0005402 A1 \* 1/2005 Moody ..... E05B 53/001  
16/413

2010/0146738 A1 \* 6/2010 Kunnath ..... E05B 1/0015  
16/415

2013/0118085 A1 5/2013 Hedemark

2014/0197648 A1 \* 7/2014 Brown ..... E05F 11/54  
292/336.3

2014/0353985 A1 12/2014 Klein

2017/0218661 A1 8/2017 Fraychineaud, Jr.

2019/0128022 A1 5/2019 Markway

2020/0071961 A1 3/2020 Markway

2020/0071962 A1 3/2020 Markway

\* cited by examiner

*Primary Examiner* — Lauren R Calve  
(74) *Attorney, Agent, or Firm* — Jenei LLC

(57) **CLAIM**

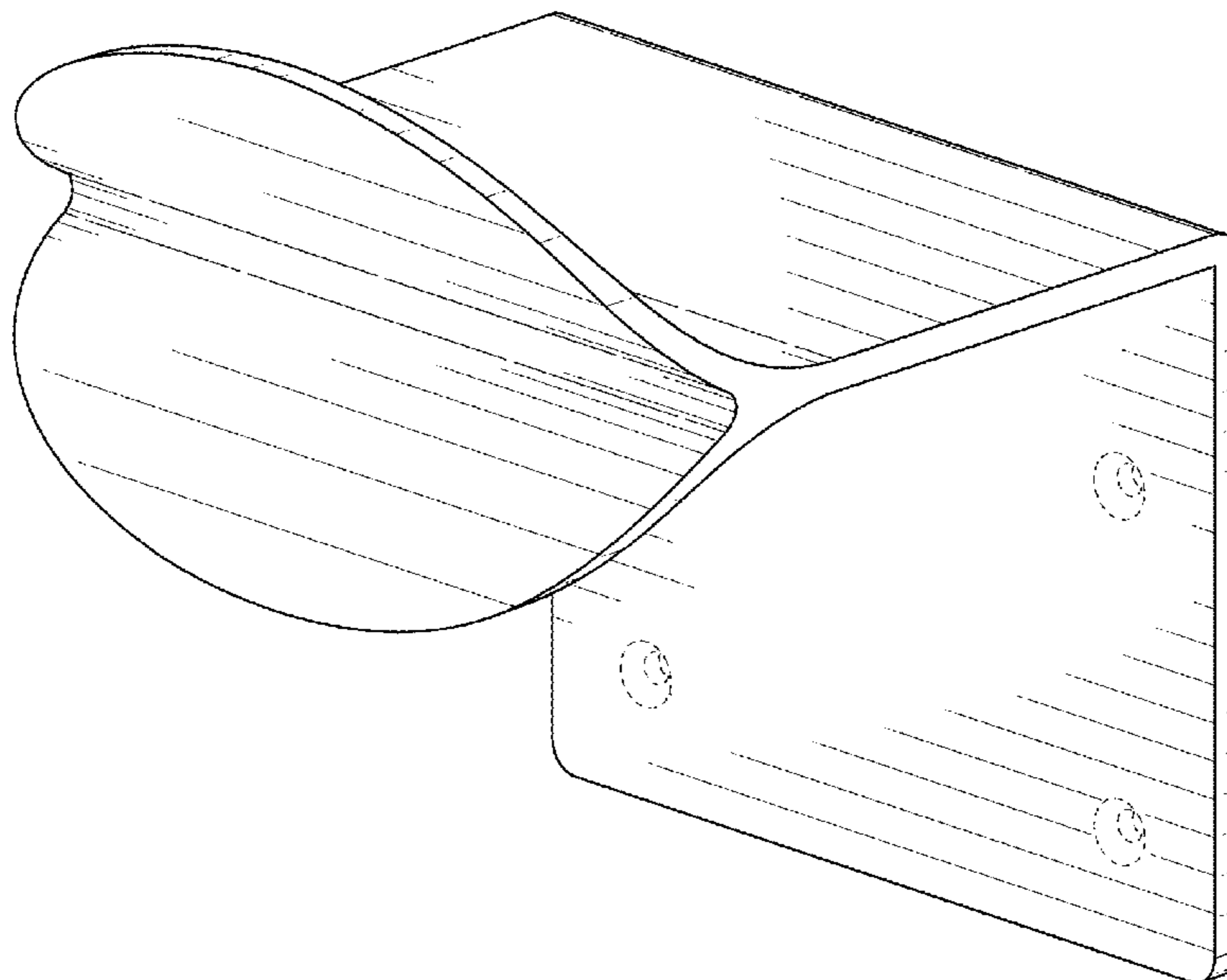
The ornamental design for a door opener, as shown and described.

**DESCRIPTION**

FIG. 1 is a perspective view of a door opener;  
FIG. 2 is a second perspective view thereof;  
FIG. 3 is a front view thereof;  
FIG. 4 is a rear view thereof;  
FIG. 5 is a left side view thereof;  
FIG. 6 is a right side view thereof;  
FIG. 7 is a top view thereof; and,  
FIG. 8 is a bottom view thereof.

The broken lines shown represent portions of the door opener that form no part of the claimed design.

**1 Claim, 8 Drawing Sheets**



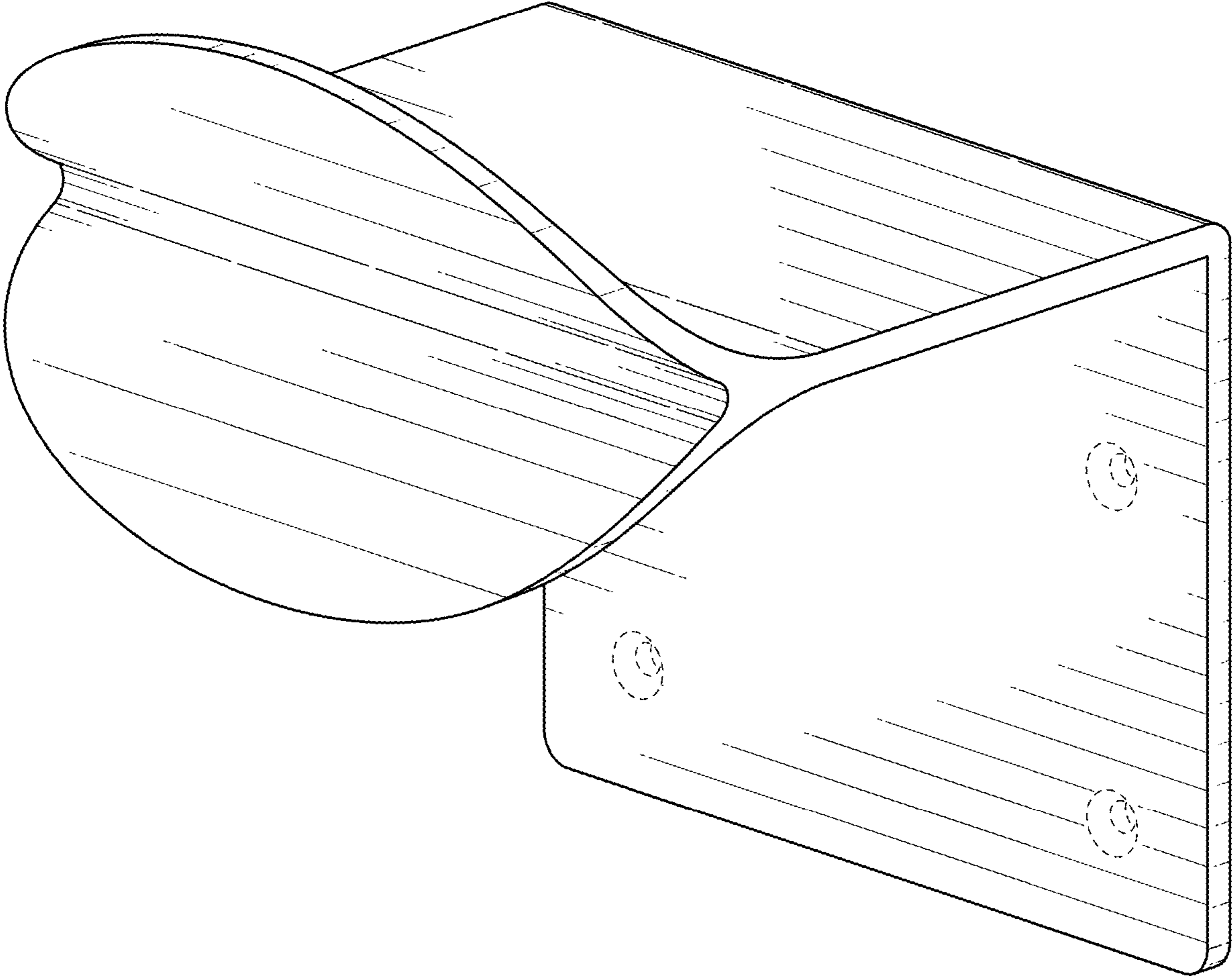


FIG. 1

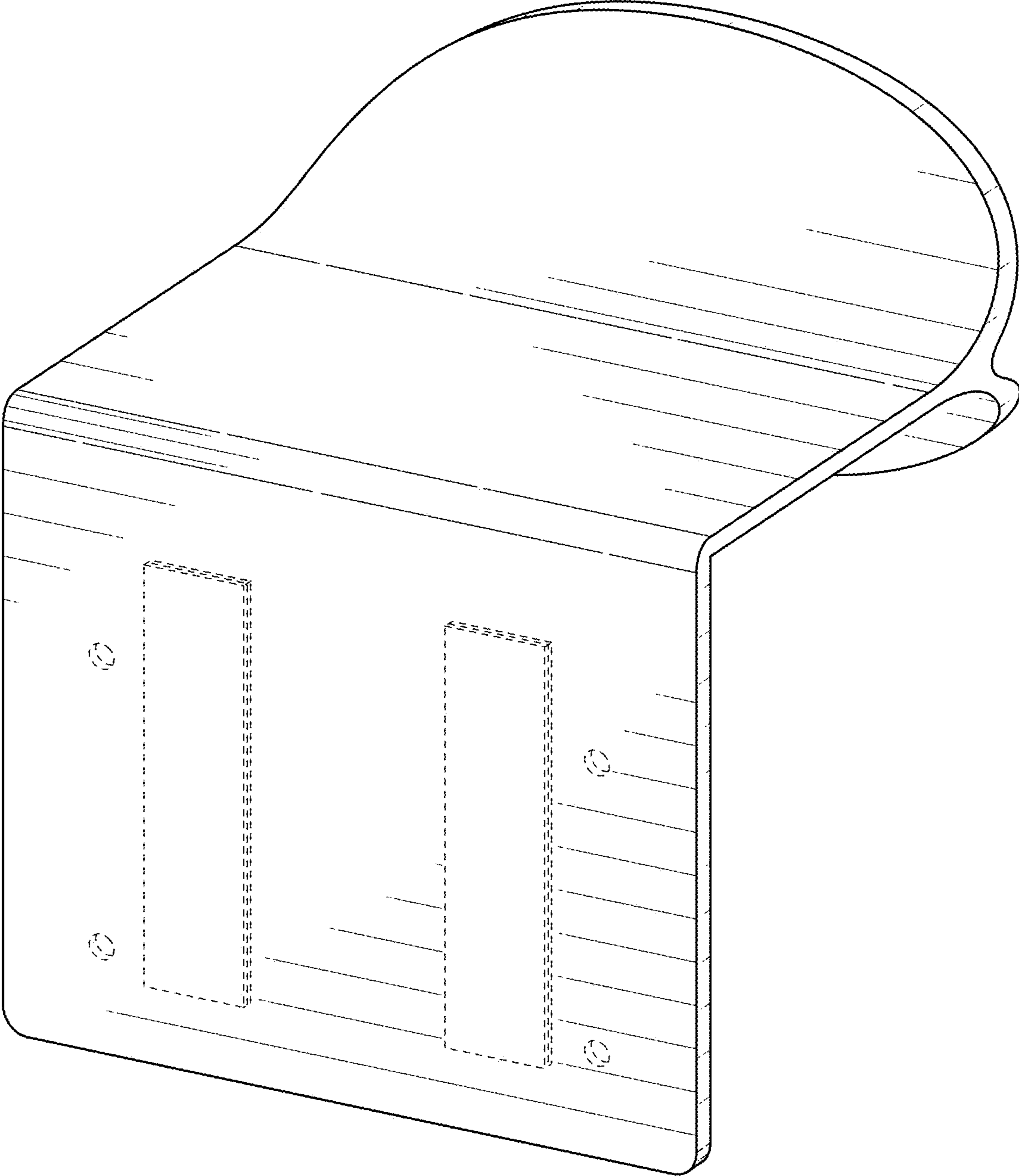


FIG. 2

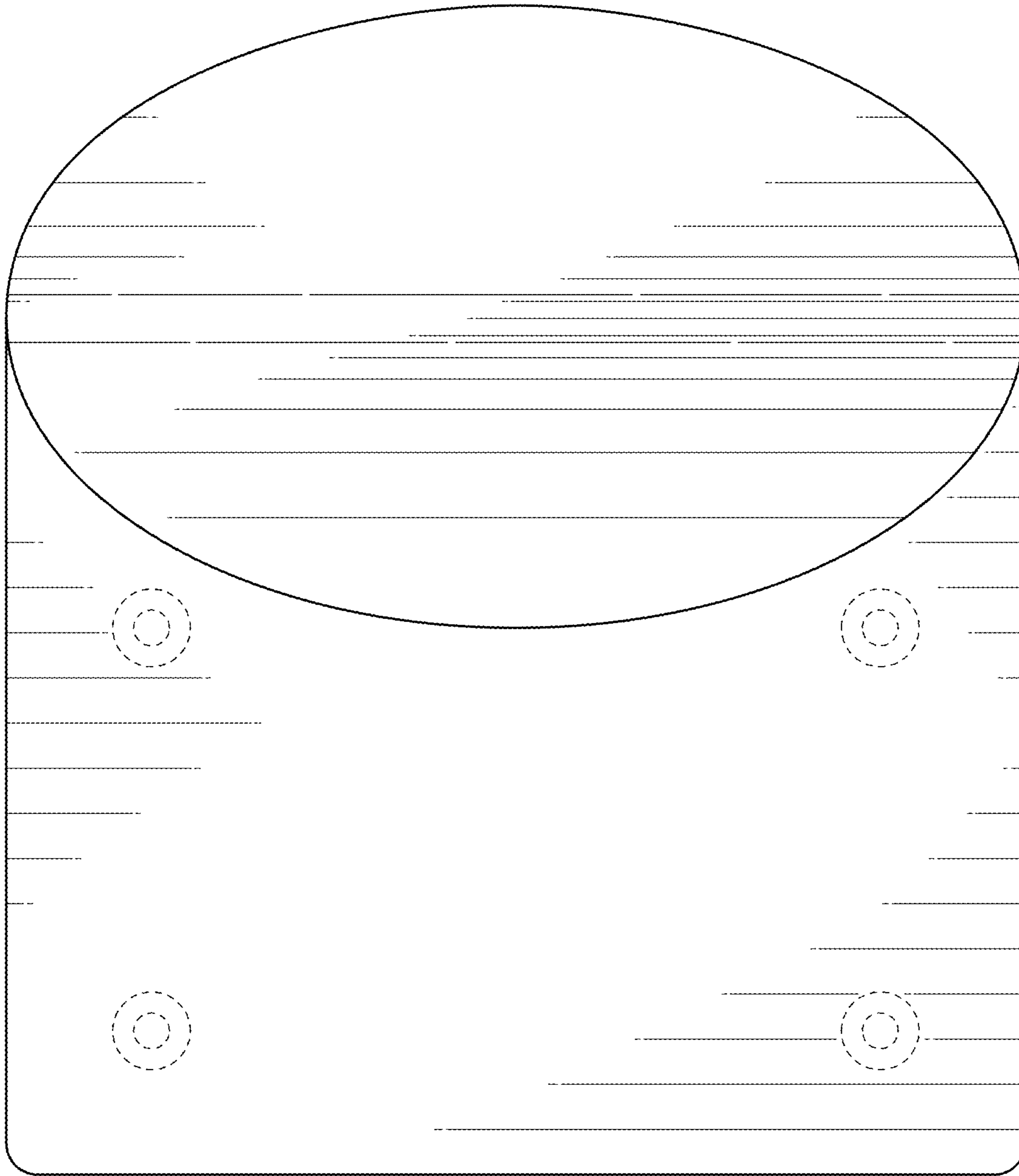


FIG. 3

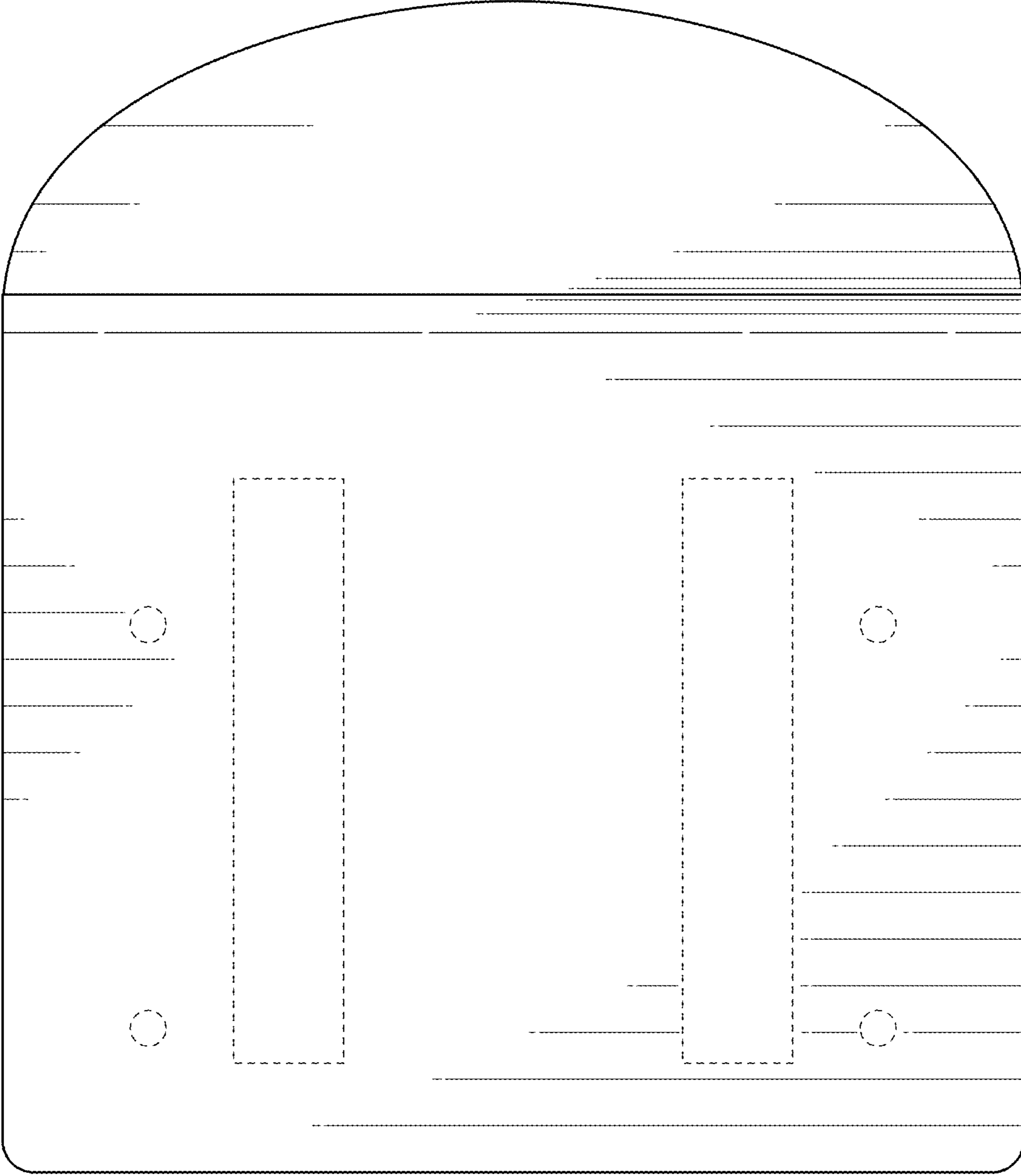


FIG. 4

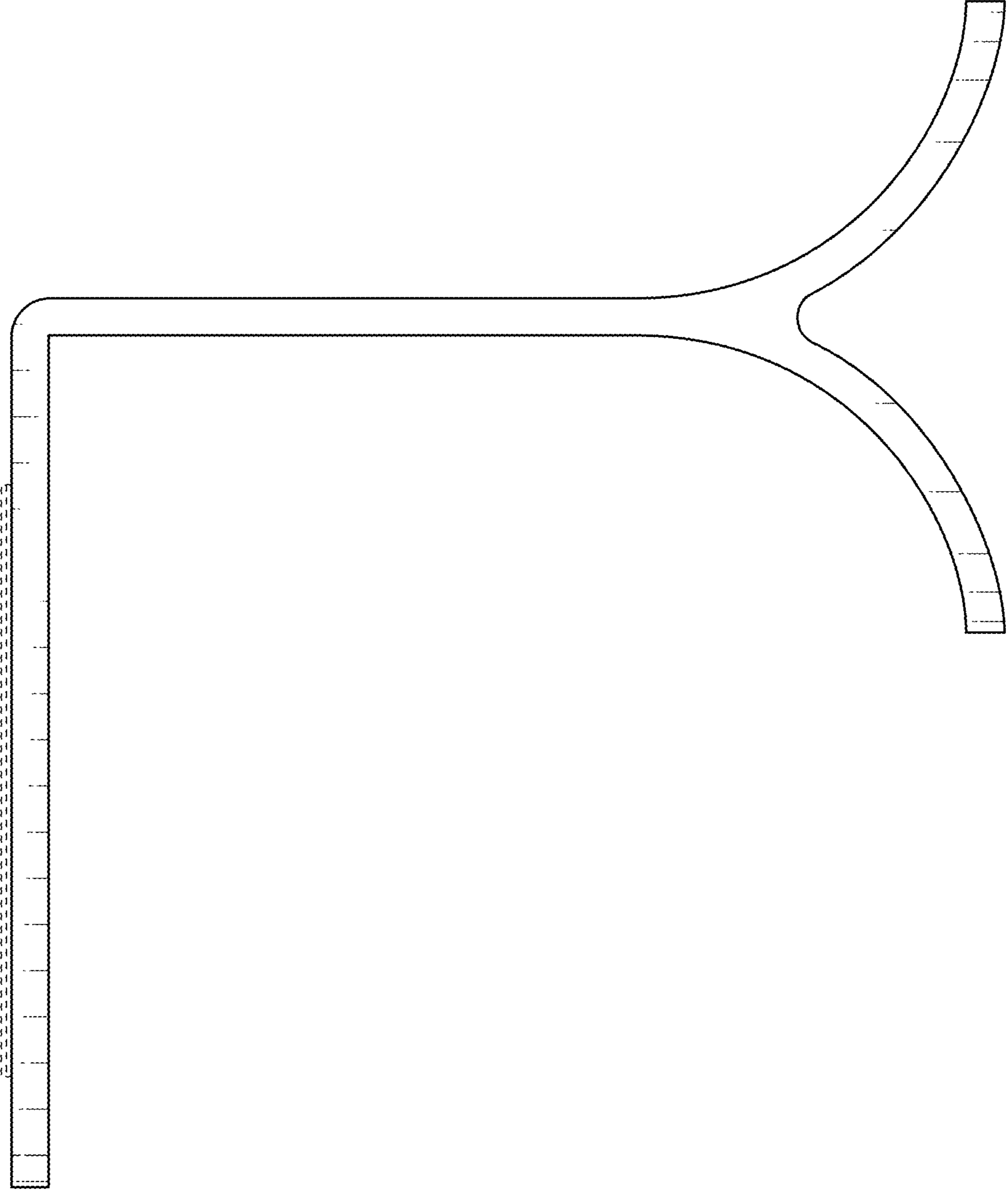


FIG. 5

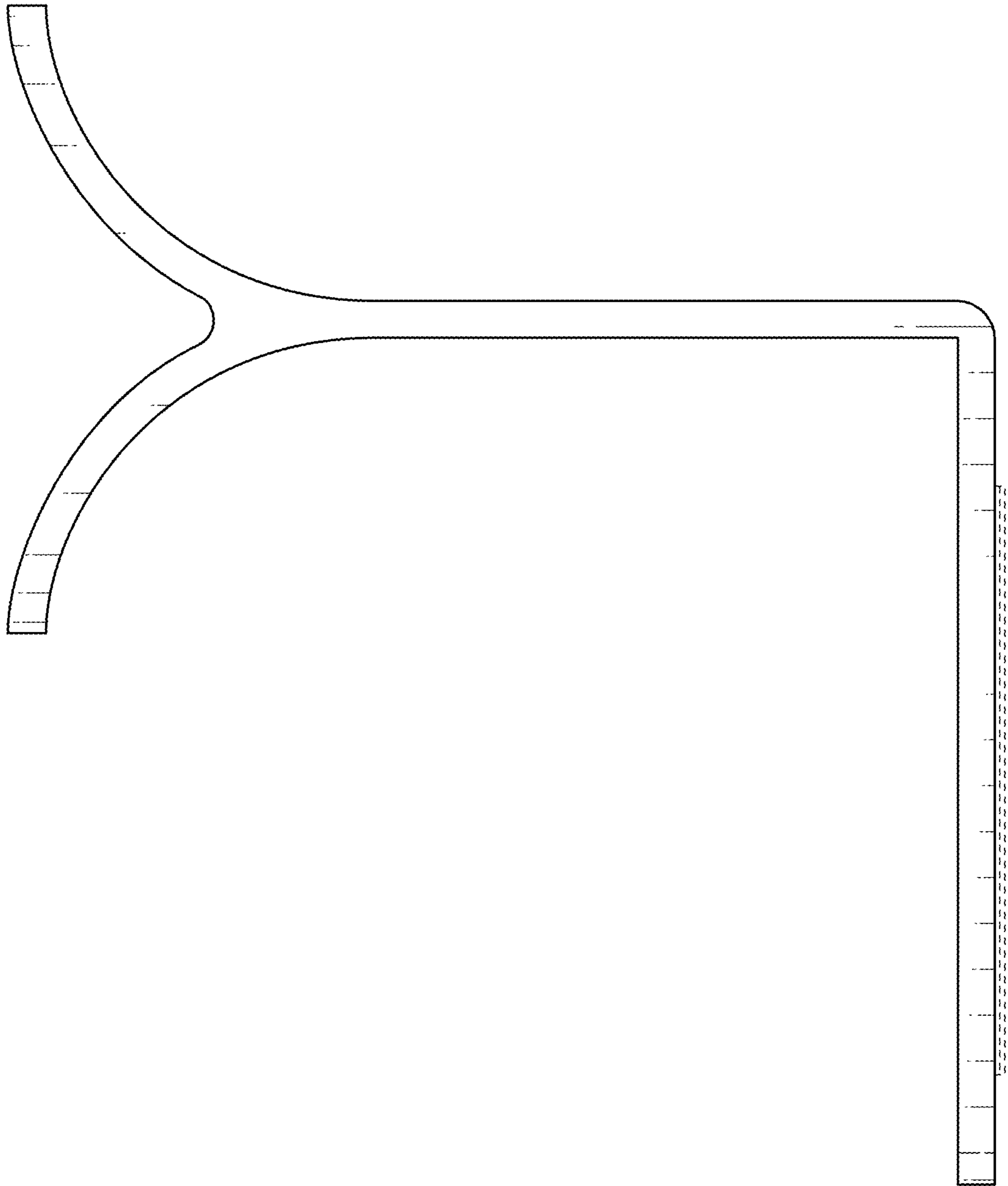


FIG. 6

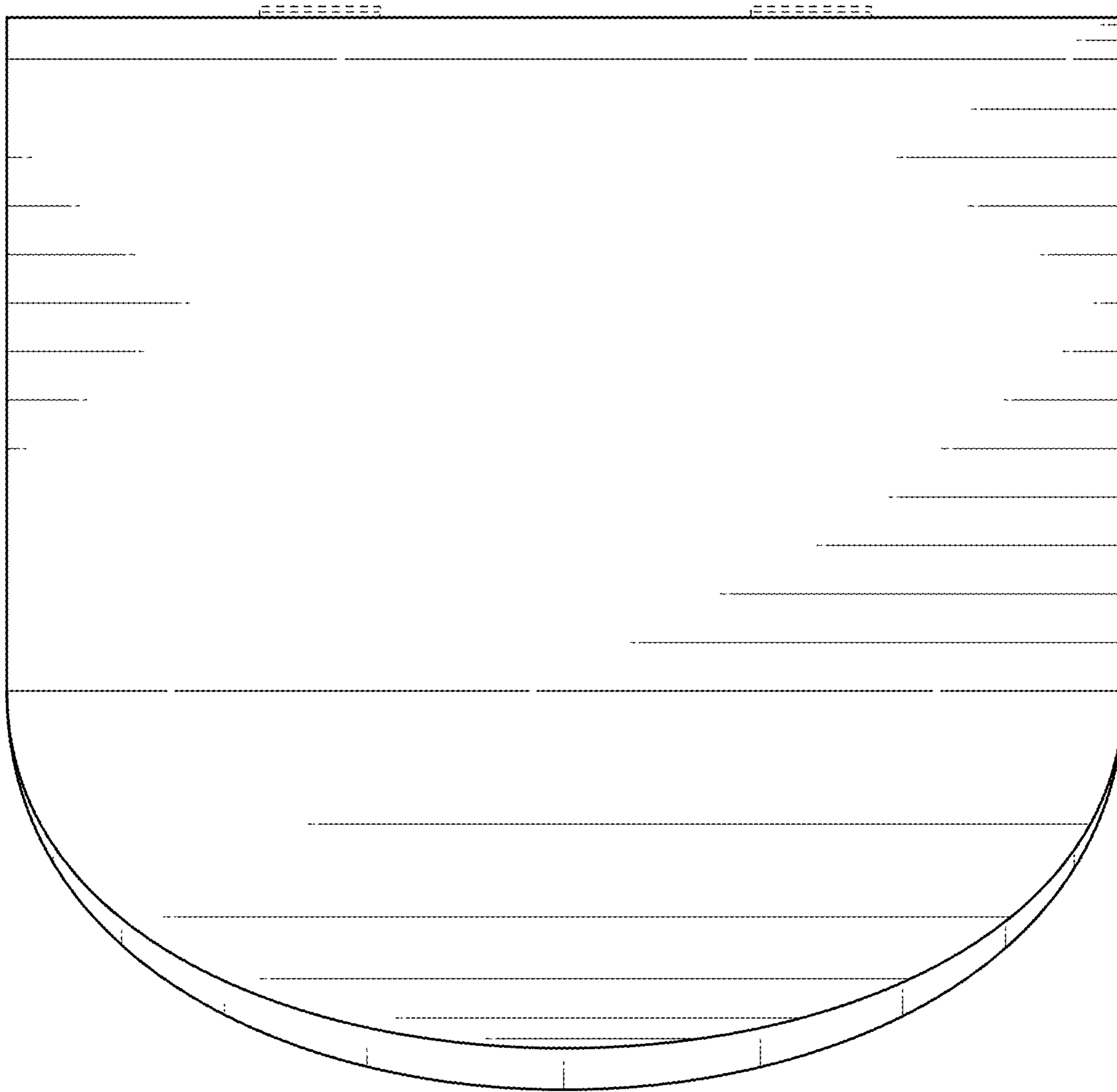


FIG. 7



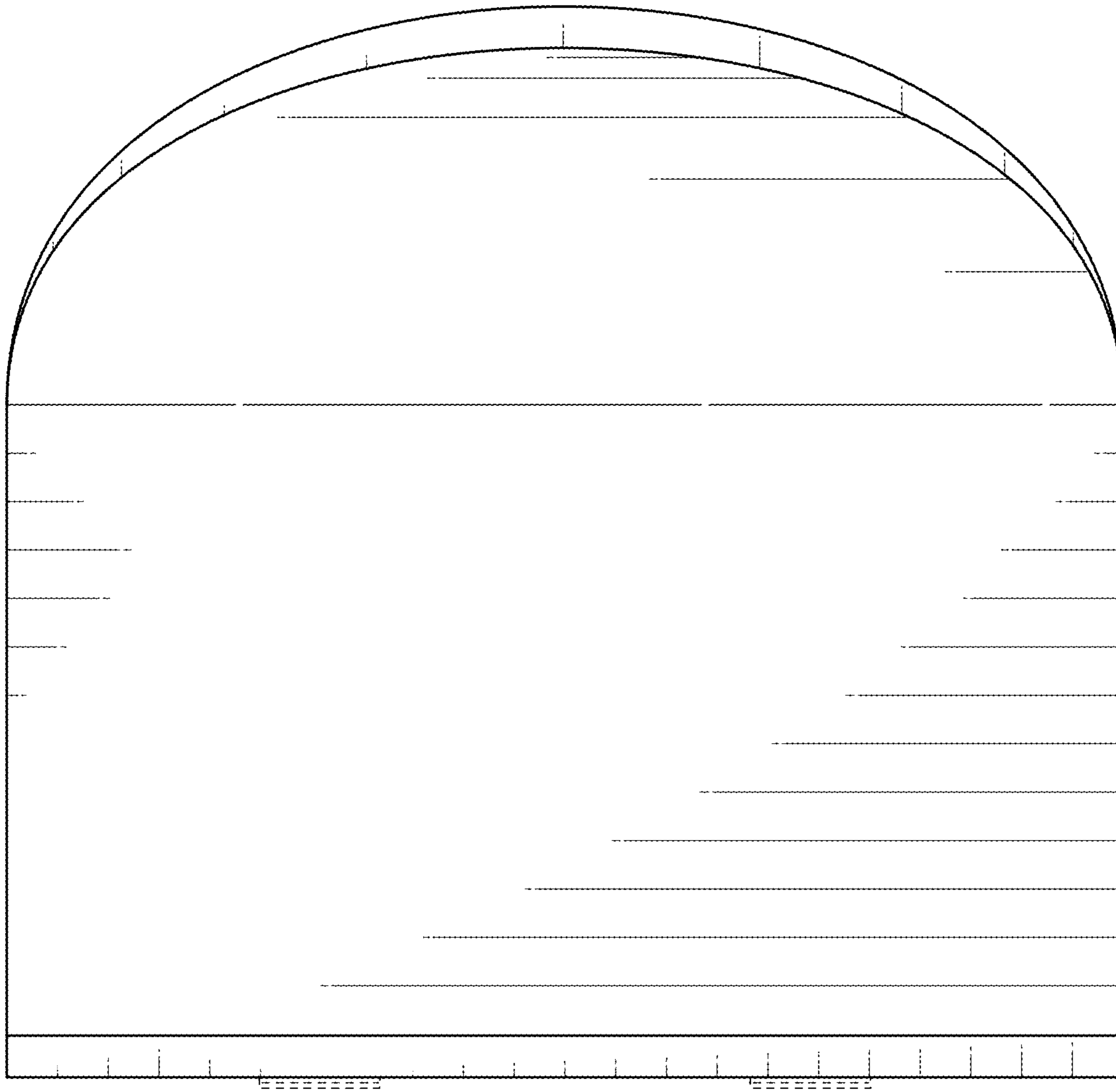


FIG. 8