



US00D941107S

(12) **United States Design Patent**
Zhong

(10) **Patent No.:** **US D941,107 S**

(45) **Date of Patent:** **** Jan. 18, 2022**

(54) **MULTIFUNCTIONAL PLIER**

FOREIGN PATENT DOCUMENTS

(71) Applicant: **Jianbo Zhong**, Guangdong (CN)

CA 2330911 A1 * 9/2001 B25B 7/22

(72) Inventor: **Jianbo Zhong**, Guangdong (CN)

* cited by examiner

(**) Term: **15 Years**

Primary Examiner — Deanna L Pratt

(21) Appl. No.: **29/701,193**

(57) **CLAIM**

(22) Filed: **Aug. 8, 2019**

The ornamental design for a multifunctional plier, as shown and described.

(51) **LOC (13) Cl.** **08-05**

DESCRIPTION

(52) **U.S. Cl.**
USPC **D8/55**

(58) **Field of Classification Search**
USPC D8/55, 105
CPC B25F 1/003
See application file for complete search history.

FIG. 1 is a bottom, front and left side perspective view of a multifunctional plier showing my new design;
FIG. 2 is a rear and right side perspective view thereof;
FIG. 3 is a front elevational view thereof;
FIG. 4 is a rear elevational view thereof;
FIG. 5 is a left side view thereof;
FIG. 6 is a right side view thereof;
FIG. 7 is a top plan view thereof;
FIG. 8 is a bottom plan view thereof;
FIG. 9 is a bottom, front and left side perspective view showing the multifunctional plier in a use state; and,
FIG. 10 is a front elevational view showing the multifunctional plier in a use State.

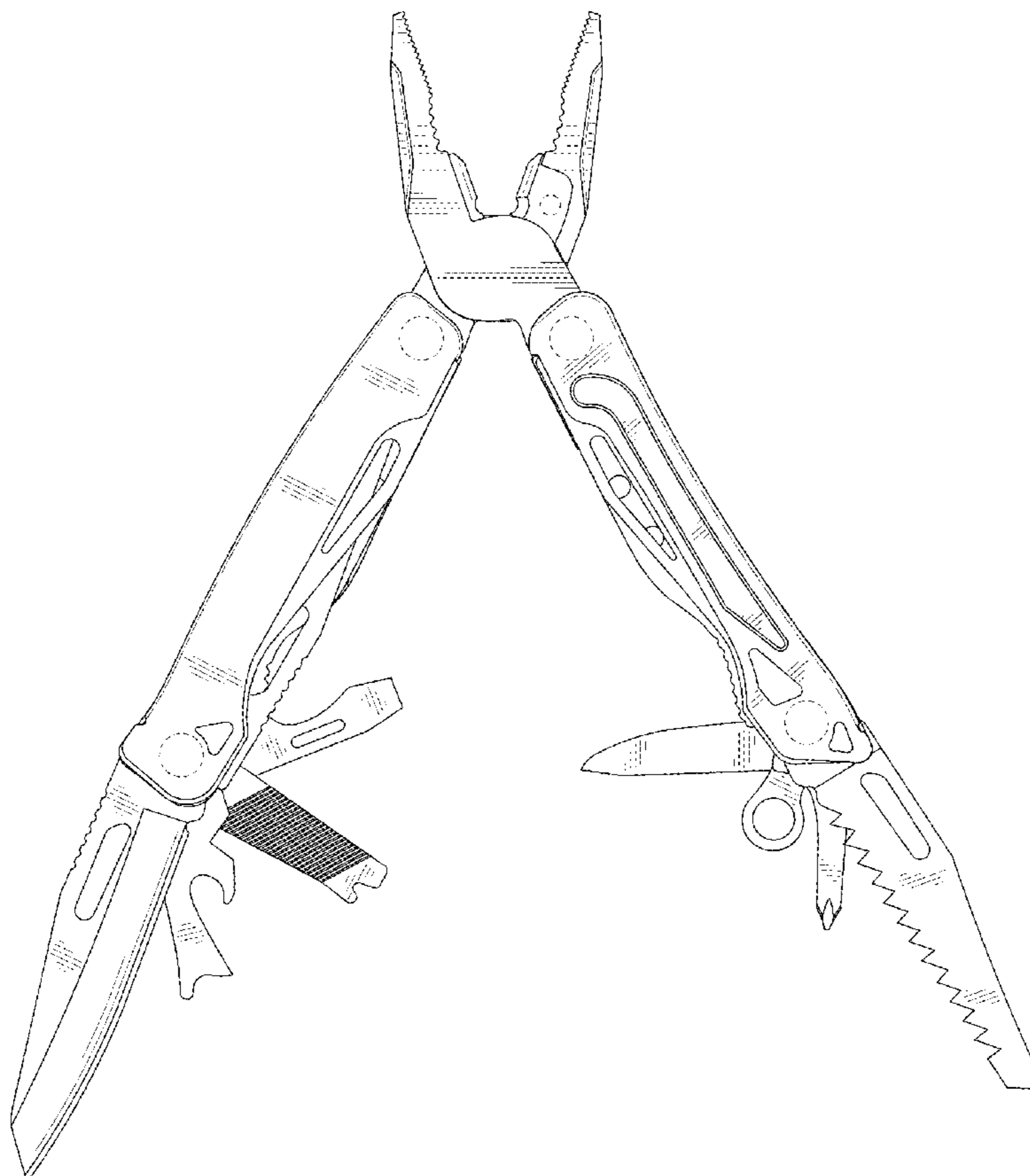
(56) **References Cited**

U.S. PATENT DOCUMENTS

D406,509 S *	3/1999	Rivera	D8/55
D603,681 S *	11/2009	Brands	D8/105
D603,682 S *	11/2009	Brands	D8/105
D654,344 S *	2/2012	Rivera	D8/105
D848,808 S *	5/2019	Zhong	D8/55
D884,452 S *	5/2020	Hallbrook	D8/105
D884,453 S *	5/2020	Hallbrook	D8/105
D924,657 S *	7/2021	Li	D8/105
2020/0306935 A1 *	10/2020	Bessac	B25F 1/003

The broken lines in the drawings illustrate portions of the multifunctional plier which form no part of the claimed design.

1 Claim, 10 Drawing Sheets



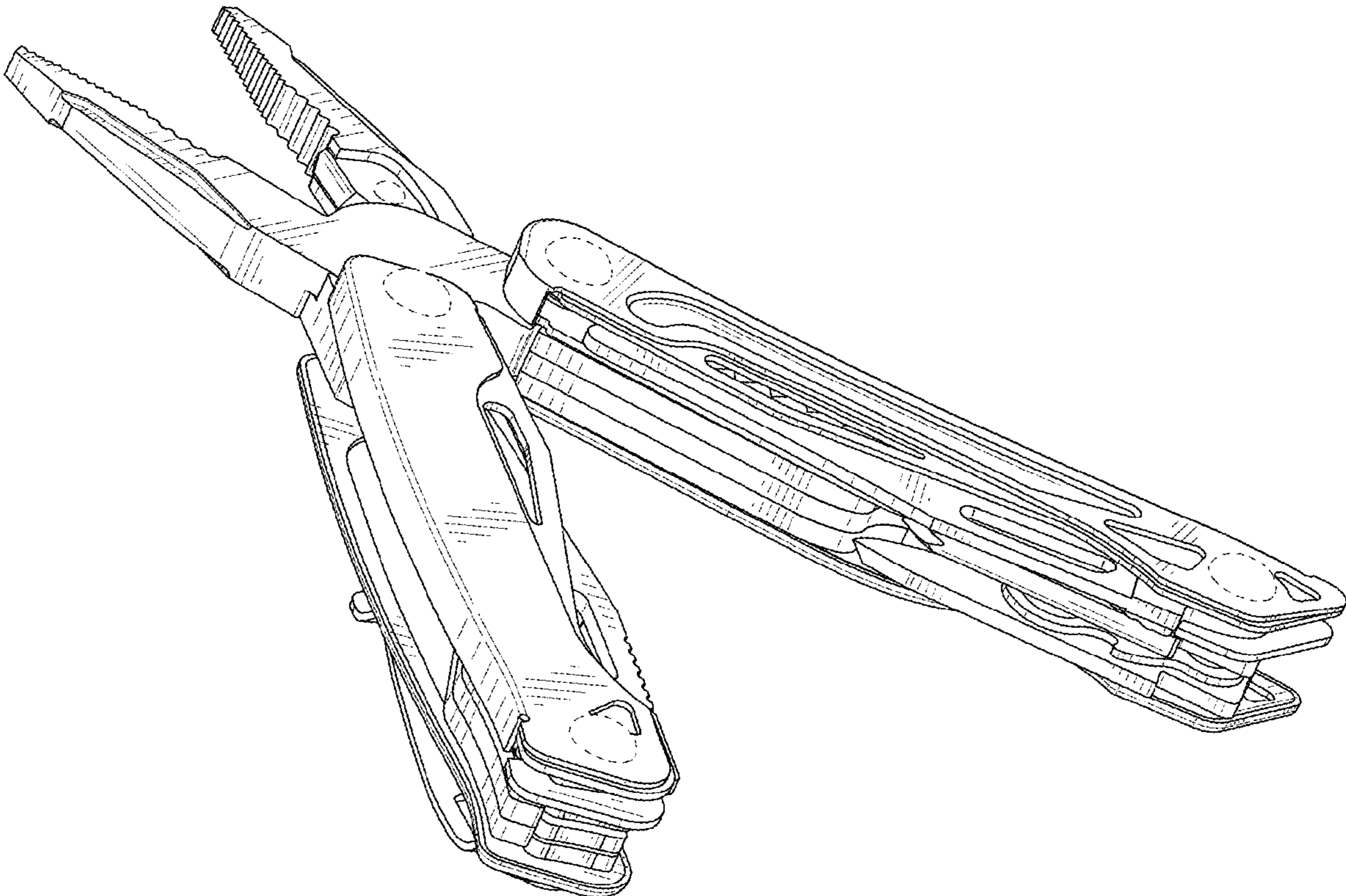


FIG. 1

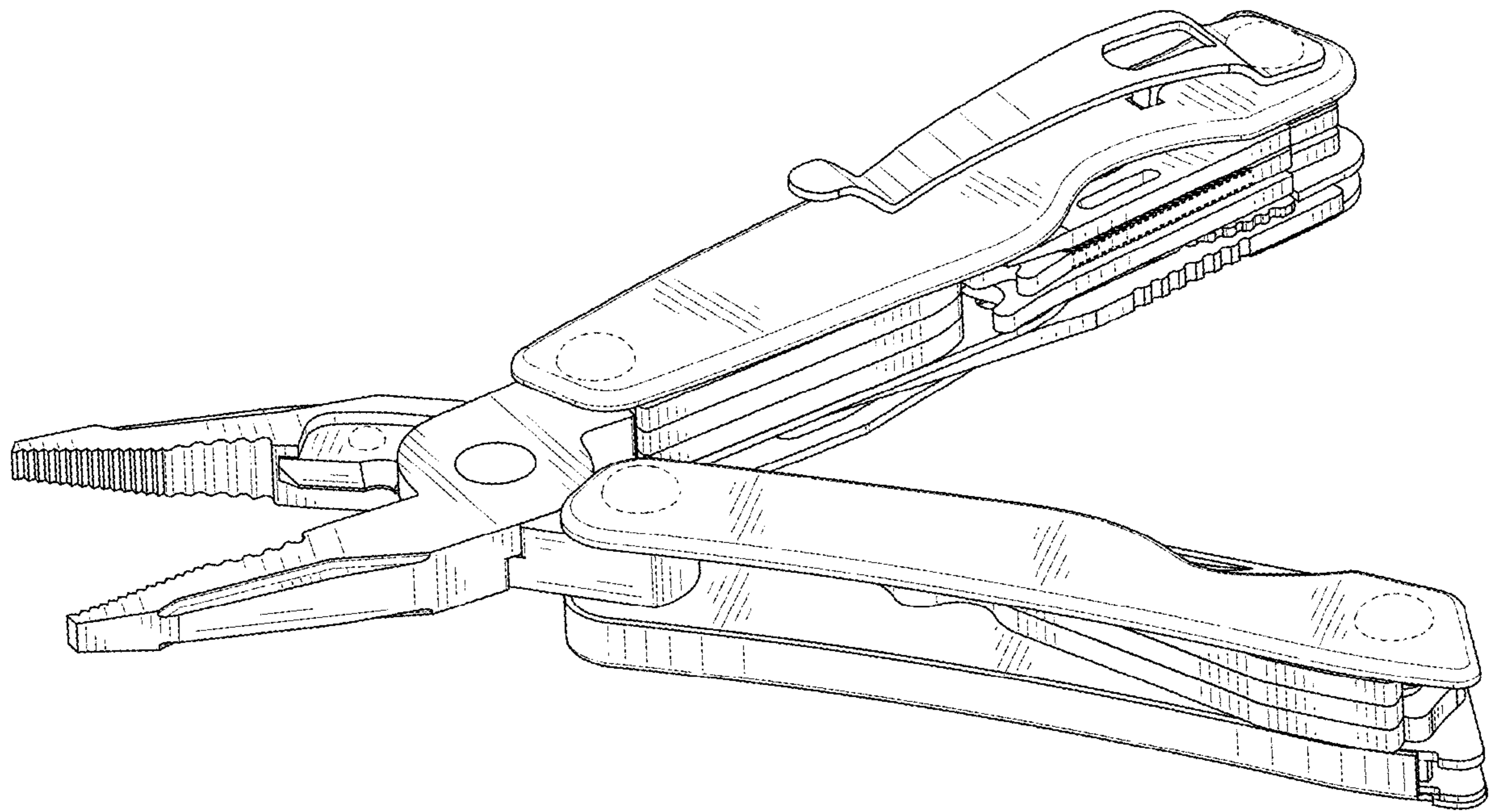


FIG. 2

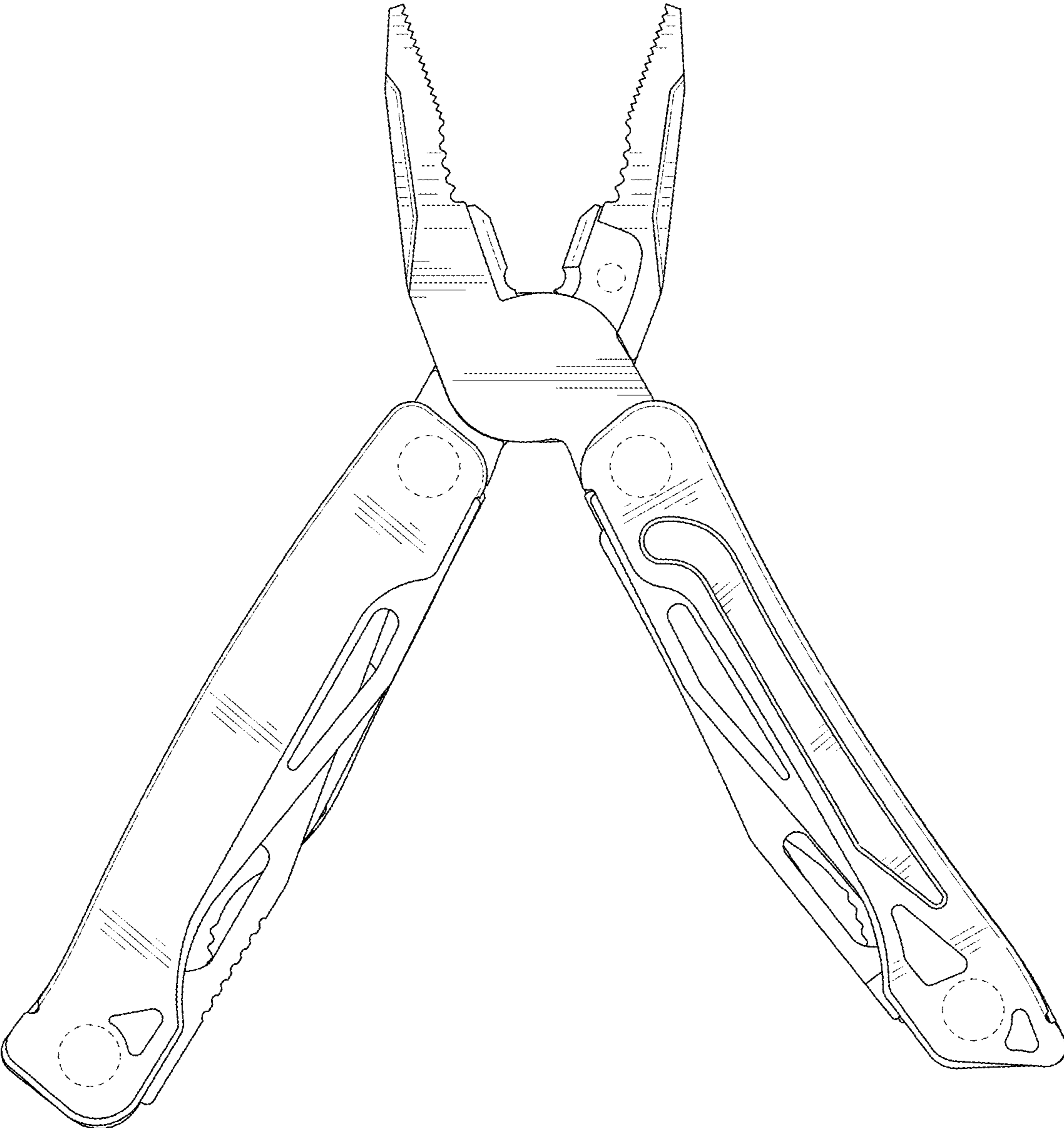


FIG. 3

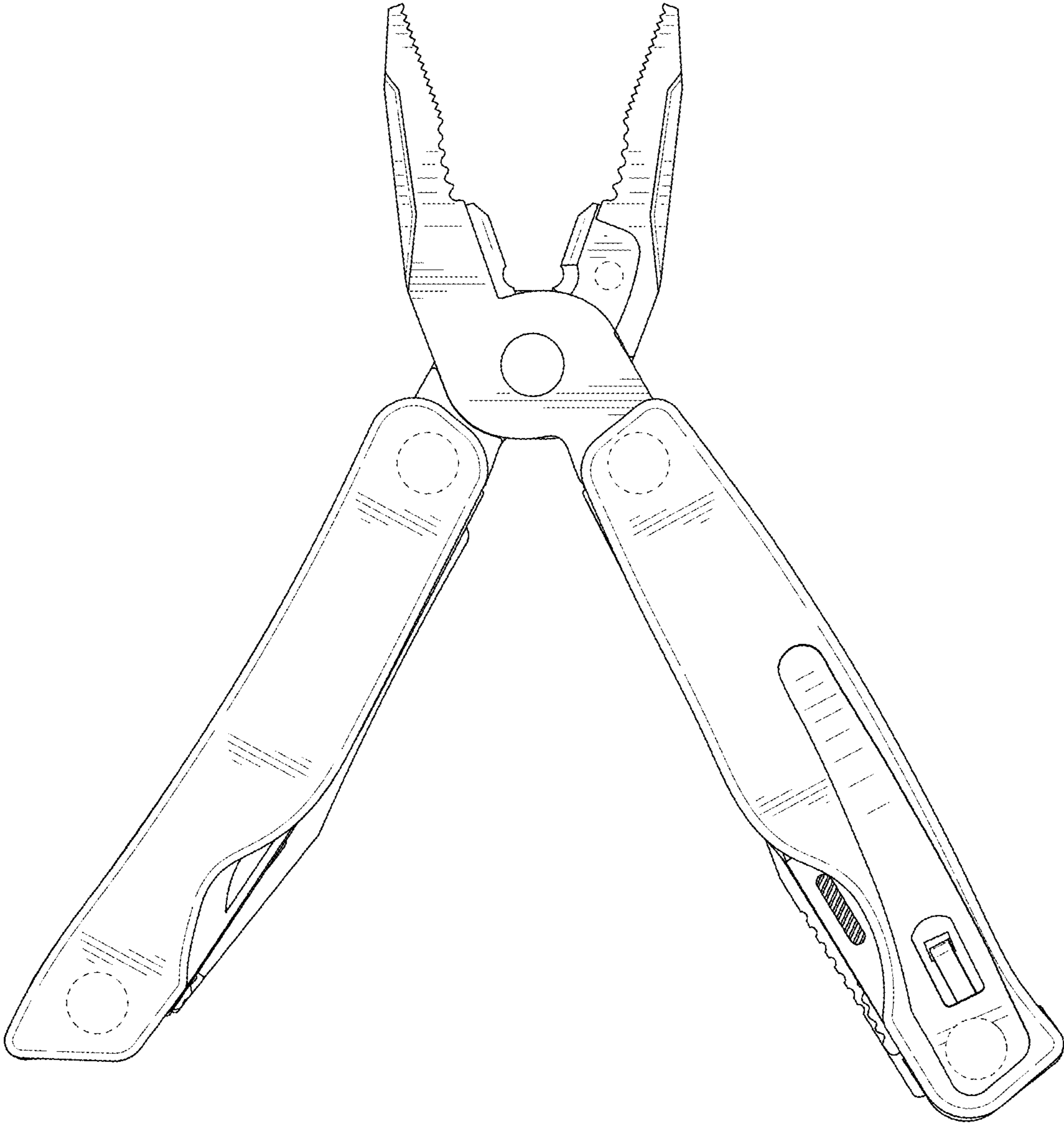


FIG. 4

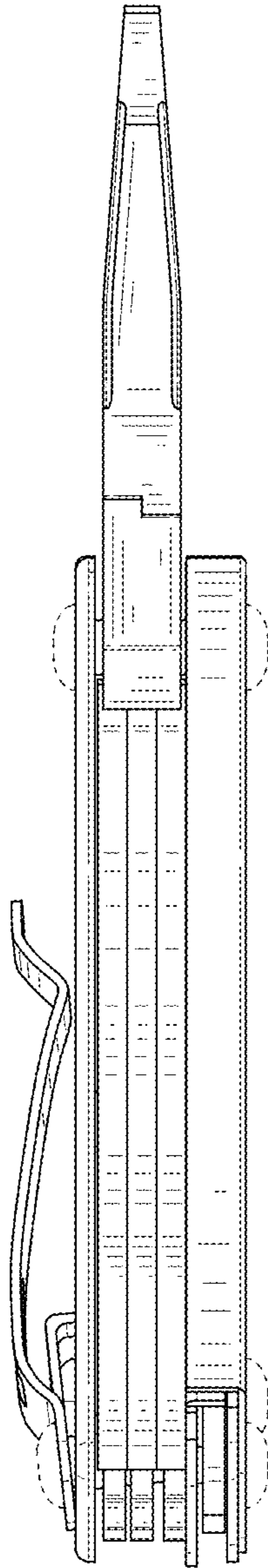


FIG. 5

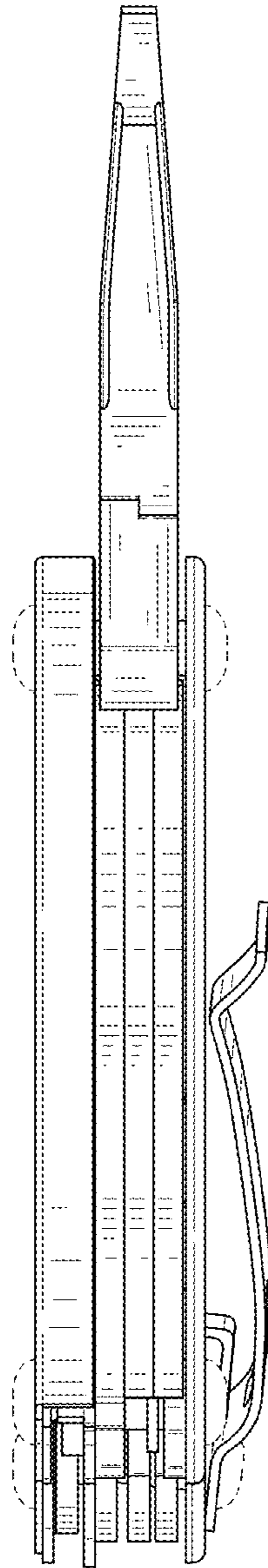


FIG. 6

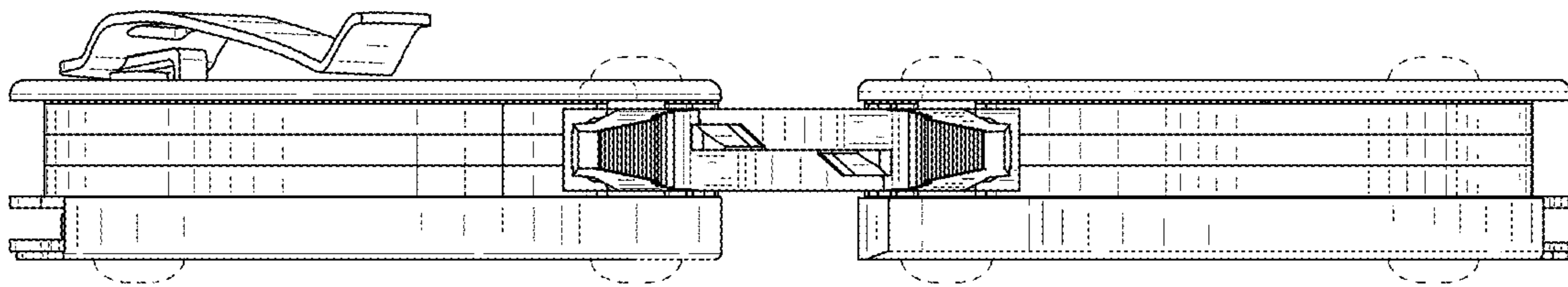


FIG. 7

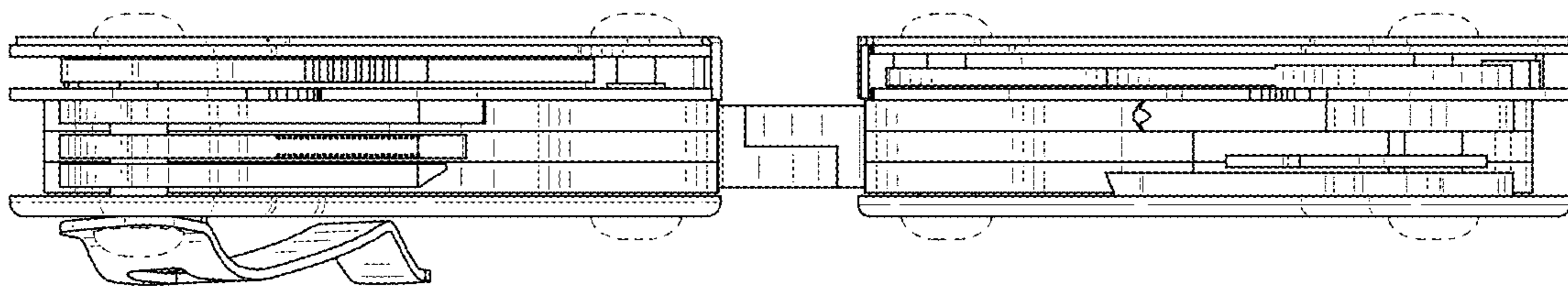


FIG. 8

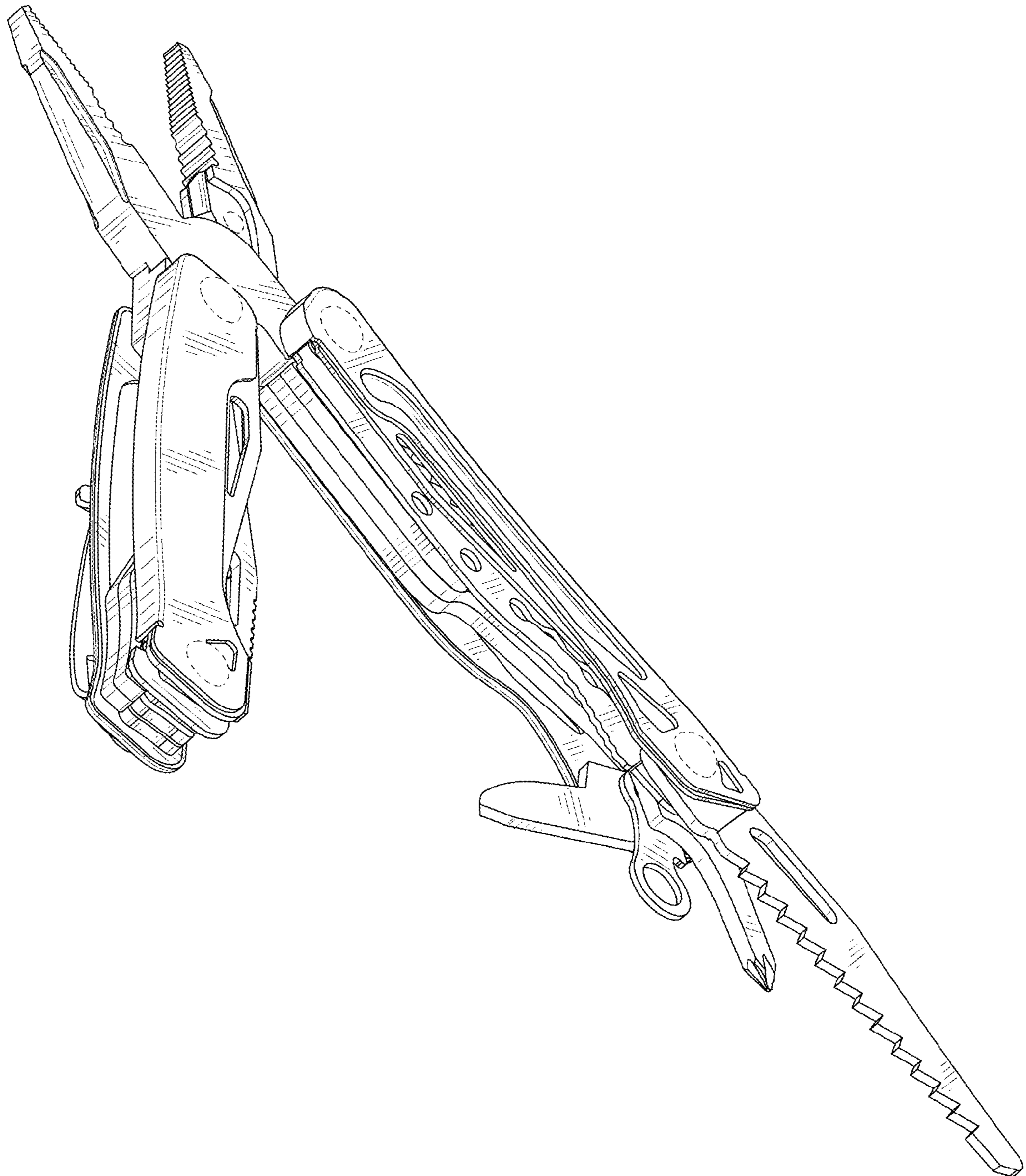


FIG. 9

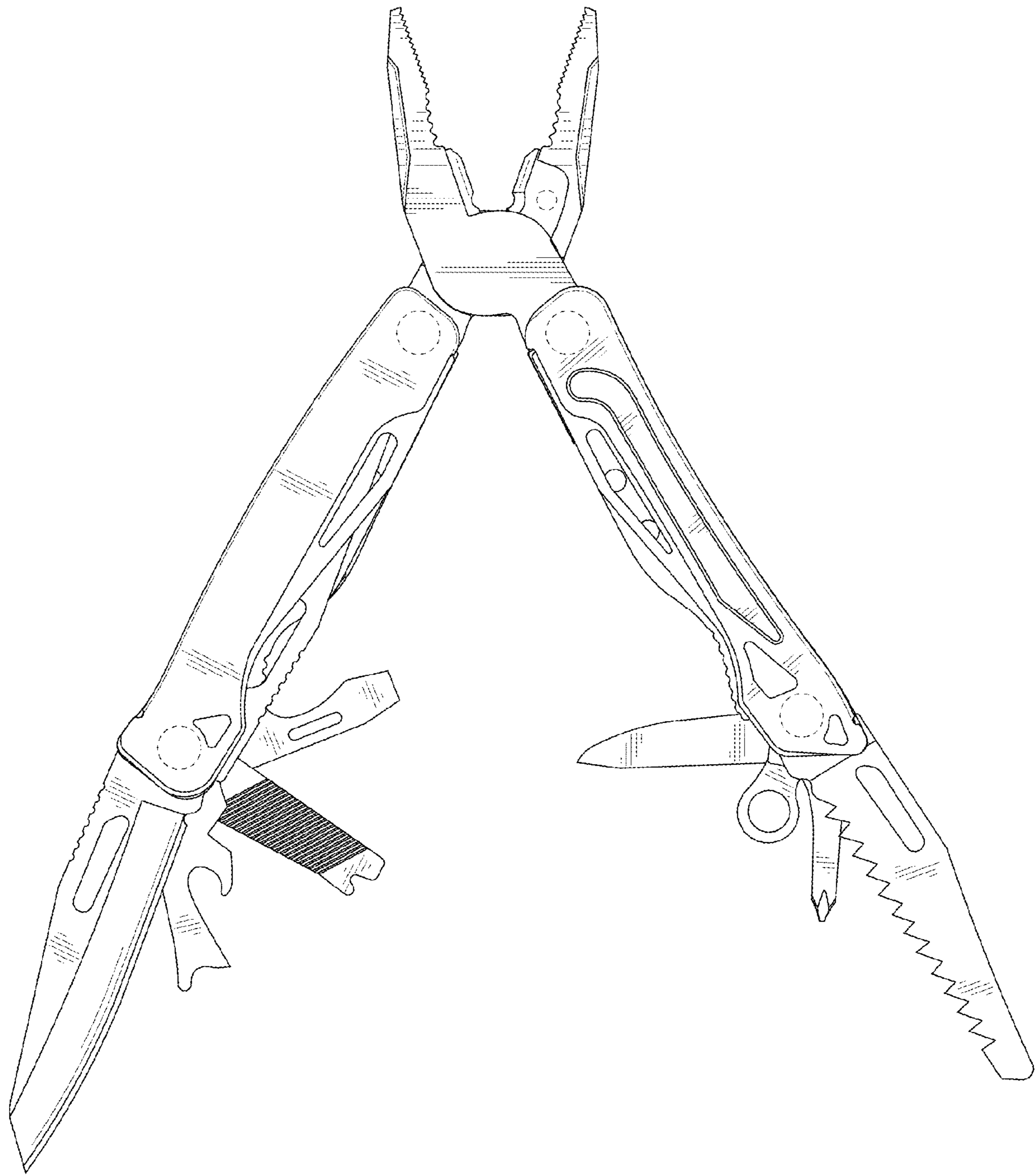


FIG. 10