



US00D941105S

(12) **United States Design Patent**  
**Liu**

(10) **Patent No.: US D941,105 S**  
(45) **Date of Patent: \*\* Jan. 18, 2022**

(54) **CLAMPING DEVICE**

(71) Applicant: **Chao-Chih Liu**, Taichung (TW)

(72) Inventor: **Chao-Chih Liu**, Taichung (TW)

(\*\*) Term: **15 Years**

(21) Appl. No.: **29/741,355**

(22) Filed: **Jul. 13, 2020**

(51) **LOC (13) Cl.** ..... **08-05**

(52) **U.S. Cl.**  
USPC ..... **D8/52; D8/72**

(58) **Field of Classification Search**  
USPC ..... D8/52, 70-72, 371-377, 380-381,  
D8/394-398

CPC .... B25B 7/00; B25B 7/04; B25B 7/12; B25B  
7/14

See application file for complete search history.

(56) **References Cited**

**U.S. PATENT DOCUMENTS**

D142,867 S *	11/1945	Johnson, Jr. ....	D8/52
4,934,222 A *	6/1990	Rittmann .....	B25B 7/00
			81/415
D377,752 S *	2/1997	Gaudet .....	D8/354
D491,780 S *	6/2004	Noniewicz .....	D8/52
D515,386 S *	2/2006	Noniewicz .....	D8/72
D715,121 S *	10/2014	Lai .....	D8/52
D771,459 S *	11/2016	Liu .....	D8/52
D775,917 S *	1/2017	Wu .....	D8/52
D777,543 S *	1/2017	Chen .....	D8/52
D810,534 S *	2/2018	Liu .....	D8/52
D817,132 S *	5/2018	Yang .....	D8/52
D830,809 S *	10/2018	Kuo .....	D8/72
D865,466 S *	11/2019	Tsai .....	D8/52
D865,467 S *	11/2019	Tsai .....	D8/52
D865,468 S *	11/2019	Tsai .....	D8/52
D887,237 S *	6/2020	Huang .....	D8/52

**OTHER PUBLICATIONS**

“Ezred PG5 Pliers”, Aug. 16, 2016, Amazon.com, site visited Nov. 1, 2021: <https://www.amazon.com/PG5-Multi-Purpose-Electrical-Automotive-Red/dp/B01FGSVFCC> (Year: 2016).\*

“ARES Flexible Hose Clamp Plier”, Apr. 21, 2017, Amazon.com, site visited Nov. 1, 2021: <https://www.amazon.com/dp/B004GUN15G> (Year: 2017).\*

“Mac Tools Pistol-Grip Pinch-Off Pliers”, Oct. 16, 2017, Facebook.com, site visited Nov. 1, 2021: <https://www.facebook.com/MacTools38/photos/bundle-and-save-with-pistol-grip-pinch-off-pliers-ask-your-distributor-about-pop/10154659892766642> (Year: 2017).\*

“Horizon Tool 45 Degree Hose Clamp Pliers”, May 4, 2020, Ebay.com, site visited Nov. 1, 2021: <https://www.ebay.com/itm/Horizon-Tool-58-45-Degree-Universal-Hose-Clamp-Pliers-/392713165249> (Year: 2020).\*

\* cited by examiner

*Primary Examiner* — Jack Reickel

*Assistant Examiner* — Michael A Kervin

(57) **CLAIM**

The ornamental design for a clamping device, as shown and described.

**DESCRIPTION**

FIG. 1 is a front-right-top perspective view of the clamping device showing my new design;

FIG. 2 is a front elevational view thereof;

FIG. 3 is a rear front elevational view thereof;

FIG. 4 is a left side elevational view thereof;

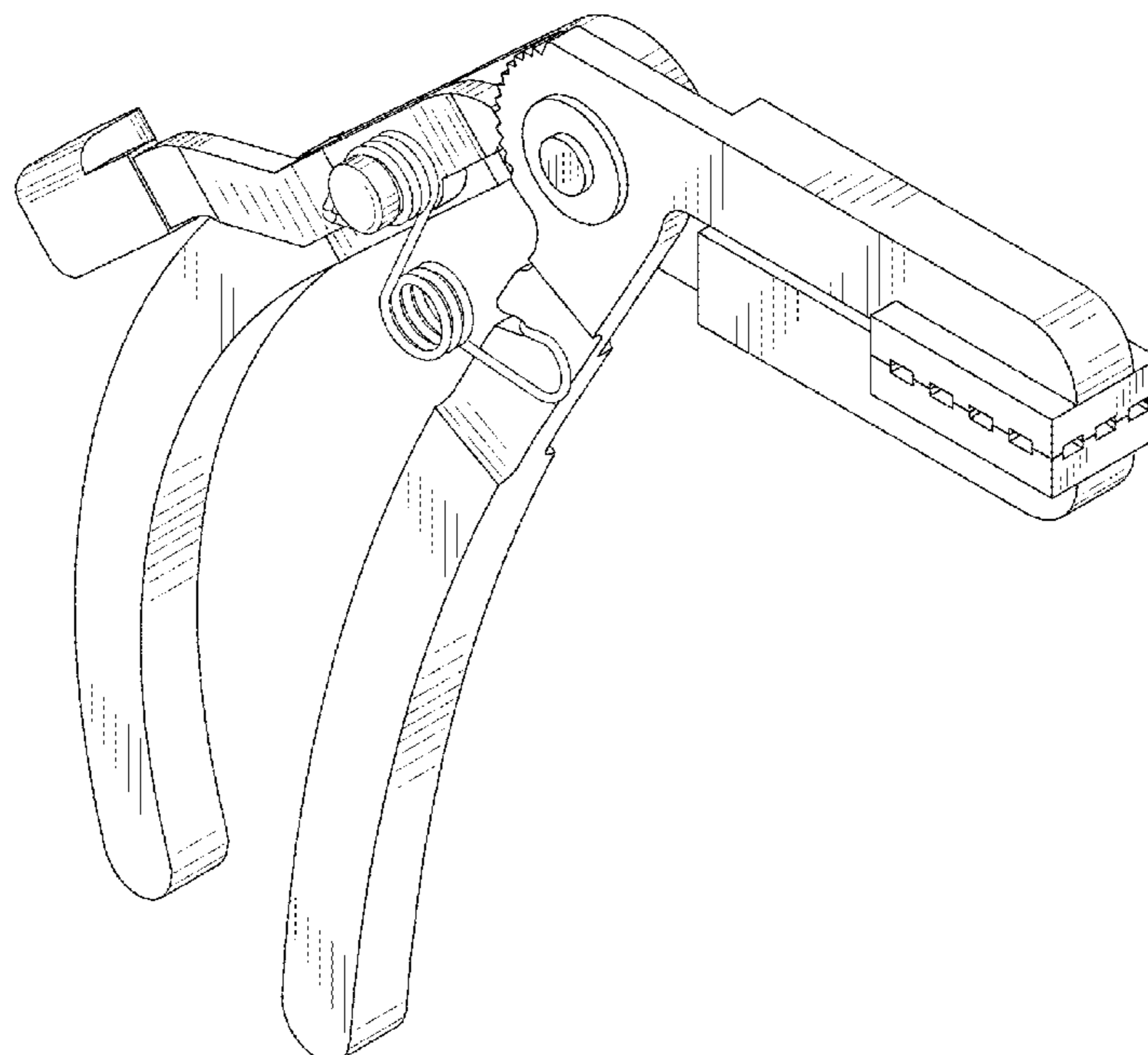
FIG. 5 is a right side elevational view thereof;

FIG. 6 is a top plan view thereof;

FIG. 7 is a bottom plan view thereof; and,

FIG. 8 is a perspective view thereof, showing the clamping device in an open position.

**1 Claim, 6 Drawing Sheets**



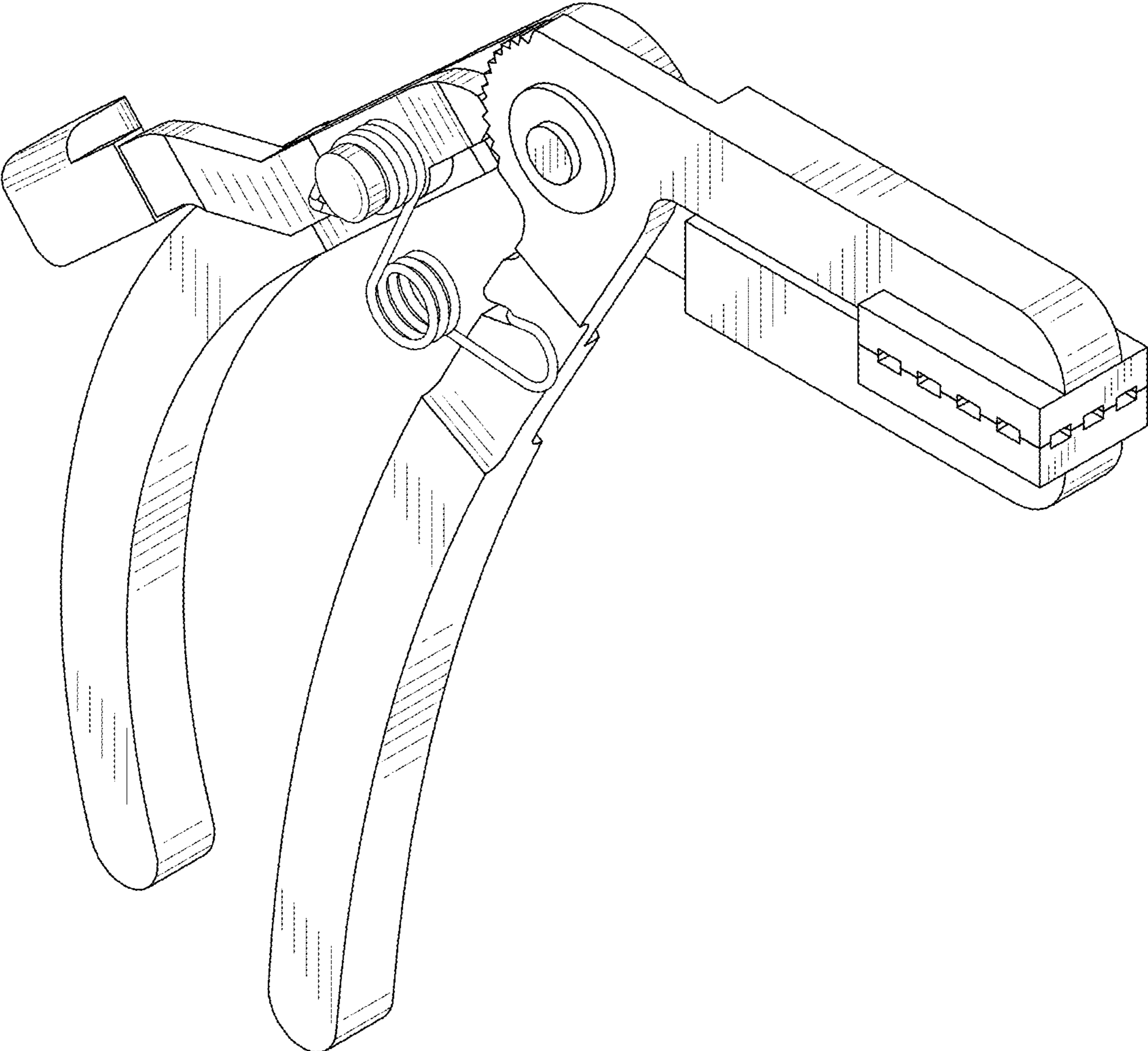


FIG.1

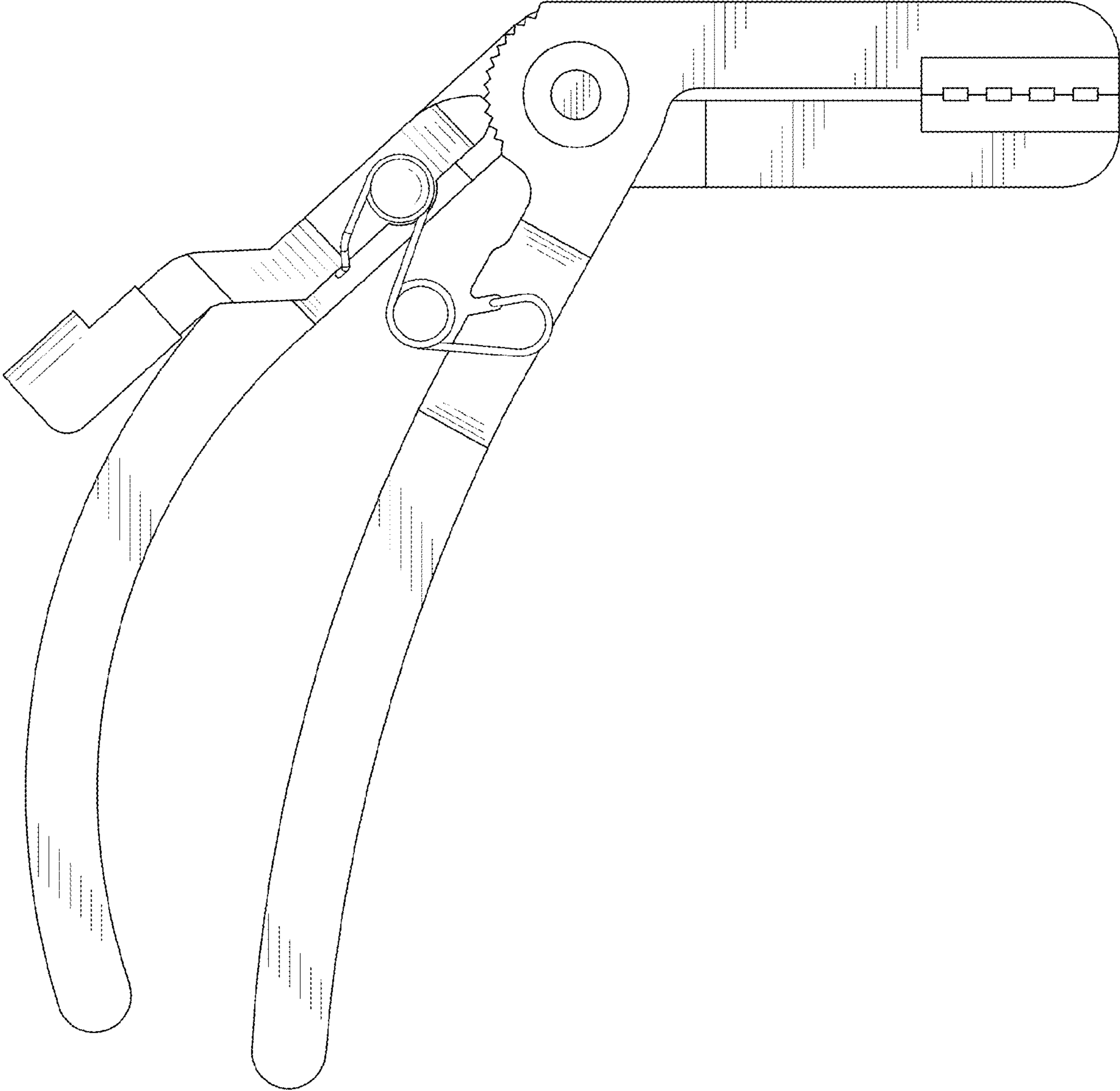


FIG.2

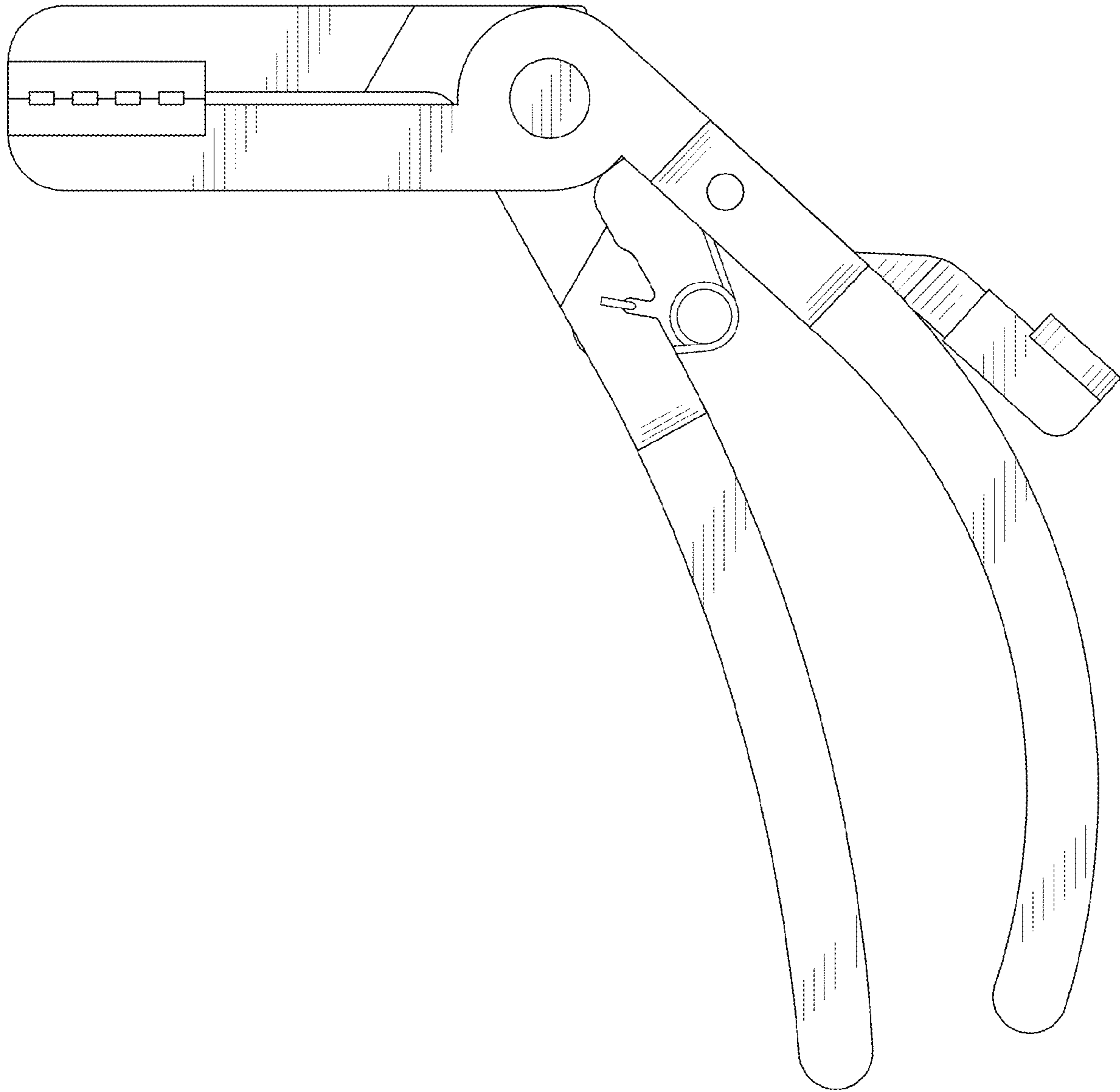


FIG.3

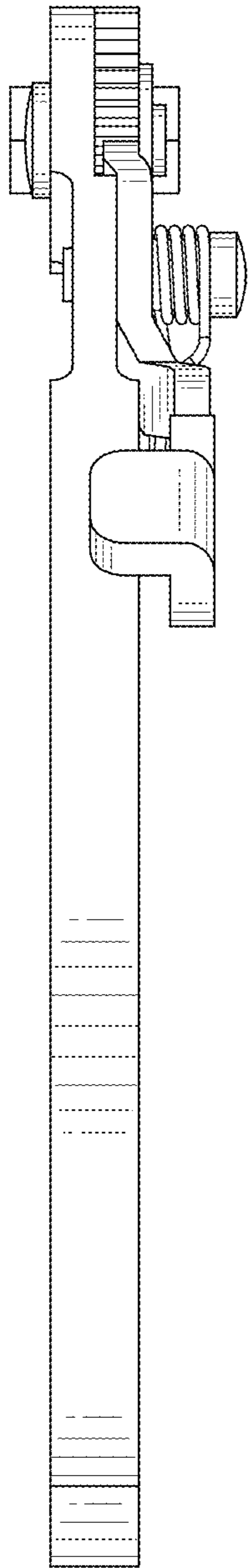


FIG.4

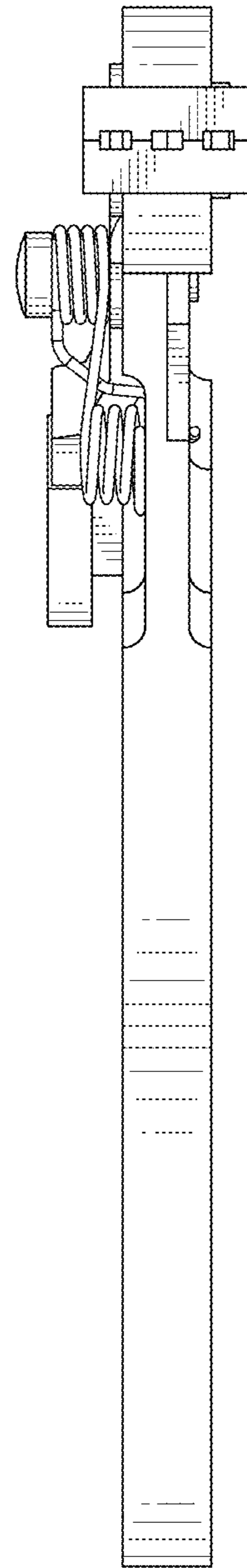


FIG.5



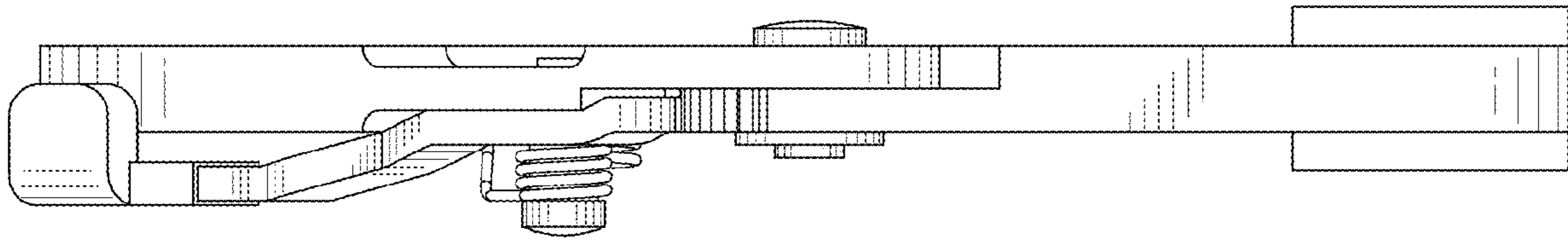


FIG.6

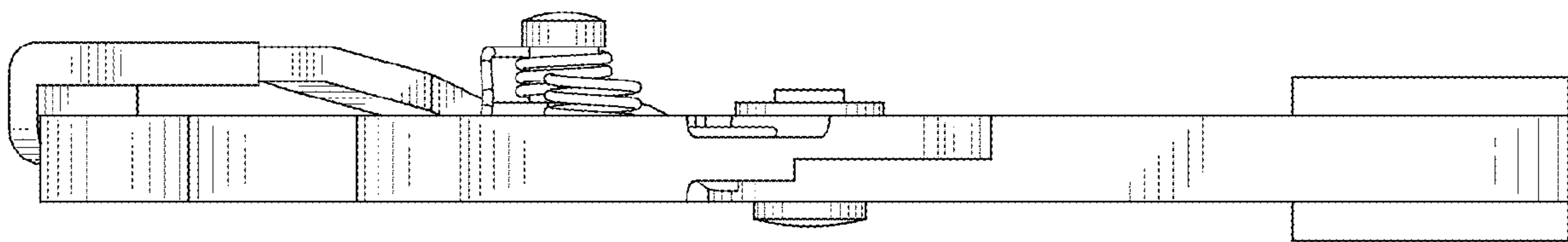


FIG.7

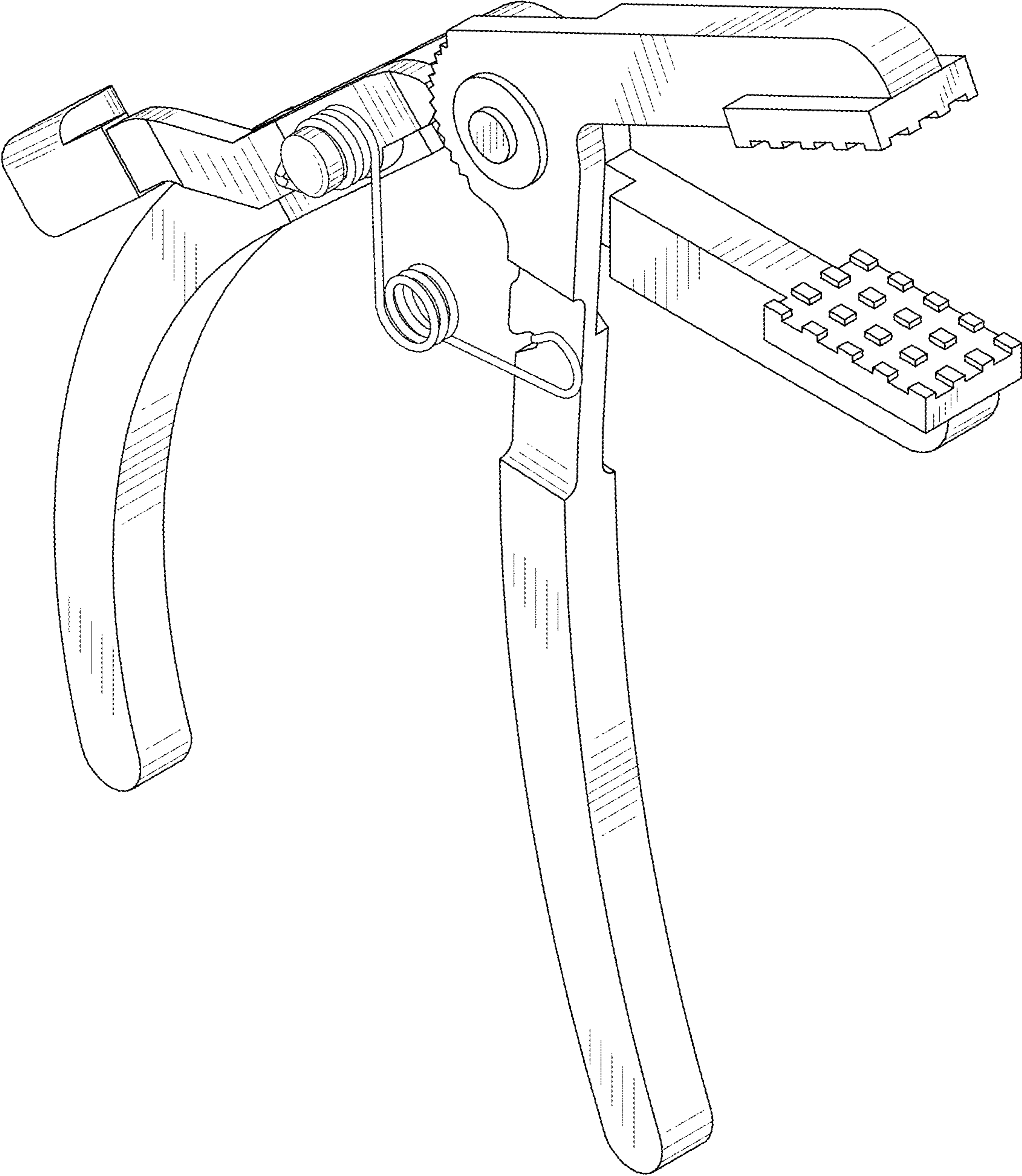


FIG.8