



US00D941104S

(12) **United States Design Patent** (10) **Patent No.:** **US D941,104 S**
Liu (45) **Date of Patent:** **** Jan. 18, 2022**

(54) **CLAMPING DEVICE**

(71) Applicant: **Chao-Chih Liu**, Taichung (TW)

(72) Inventor: **Chao-Chih Liu**, Taichung (TW)

(**) Term: **15 Years**

(21) Appl. No.: **29/741,354**

(22) Filed: **Jul. 13, 2020**

(51) **LOC (13) Cl.** **08-05**

(52) **U.S. Cl.**
USPC **D8/52; D8/72**

(58) **Field of Classification Search**
USPC D8/52, 70-72, 371-377, 380-381,
D8/394-398

CPC B25B 7/00; B25B 7/04; B25B 7/12; B25B
7/14

See application file for complete search history.

(56) **References Cited**

U.S. PATENT DOCUMENTS

D142,867	S	*	11/1945	Johnson, Jr.	D8/52
4,934,222	A	*	6/1990	Rittmann	B25B 7/00 81/415
D491,780	S	*	6/2004	Noniewicz	D8/52
D515,386	S	*	2/2006	Noniewicz	D8/72
D532,265	S	*	11/2006	Norton	D8/52
D596,910	S	*	7/2009	Whitehead	D8/52
D742,516	S	*	11/2015	Burdess	D24/153
D760,389	S	*	6/2016	Burdess	D24/153
D771,459	S	*	11/2016	Liu	D8/52
D775,916	S	*	1/2017	Ludtke	D8/52
D777,543	S	*	1/2017	Chen	D8/52
D810,534	S	*	2/2018	Liu	D8/52
D811,841	S	*	3/2018	Calfee	D8/52
D817,132	S	*	5/2018	Yang	D8/52
D865,466	S	*	11/2019	Tsai	D8/52
D865,467	S	*	11/2019	Tsai	D8/52
D865,468	S	*	11/2019	Tsai	D8/52
D887,237	S	*	6/2020	Huang	D8/52

OTHER PUBLICATIONS

“Ezred PG5 Pliers”, Aug. 16, 2016, Amazon.com, site visited Nov. 1, 2021: <https://www.amazon.com/PG5-Multi-Purpose-Electrical-Automotive-Red/dp/B01FGSVFCC> (Year: 2016).*

“Ares Flexible Hose Clamp Plier”, Apr. 21, 2017, Amazon.com, site visited Nov. 1, 2021: <https://www.amazon.com/dp/B004GUN15G> (Year: 2017).*

“Schwaben Swivel Jaw Pliers”, May 30, 2019, GarageJournal.com, site visited Nov. 1, 2021: <https://www.garagejournal.com/forum/threads/lets-see-your-toolbox.466/page-560> (Year: 2019).*

“Horizon Tool 45 Degree Hose Clamp Pliers”, May 4, 2020, Ebay.com, site visited Nov. 1, 2021: <https://www.ebay.com/itm/Horizon-Tool-58-45-Degree-Universal-Hose-Clamp-Pliers-/392713165249> (Year: 2020).*

* cited by examiner

Primary Examiner — Jack Reickel

Assistant Examiner — Michael A Kervin

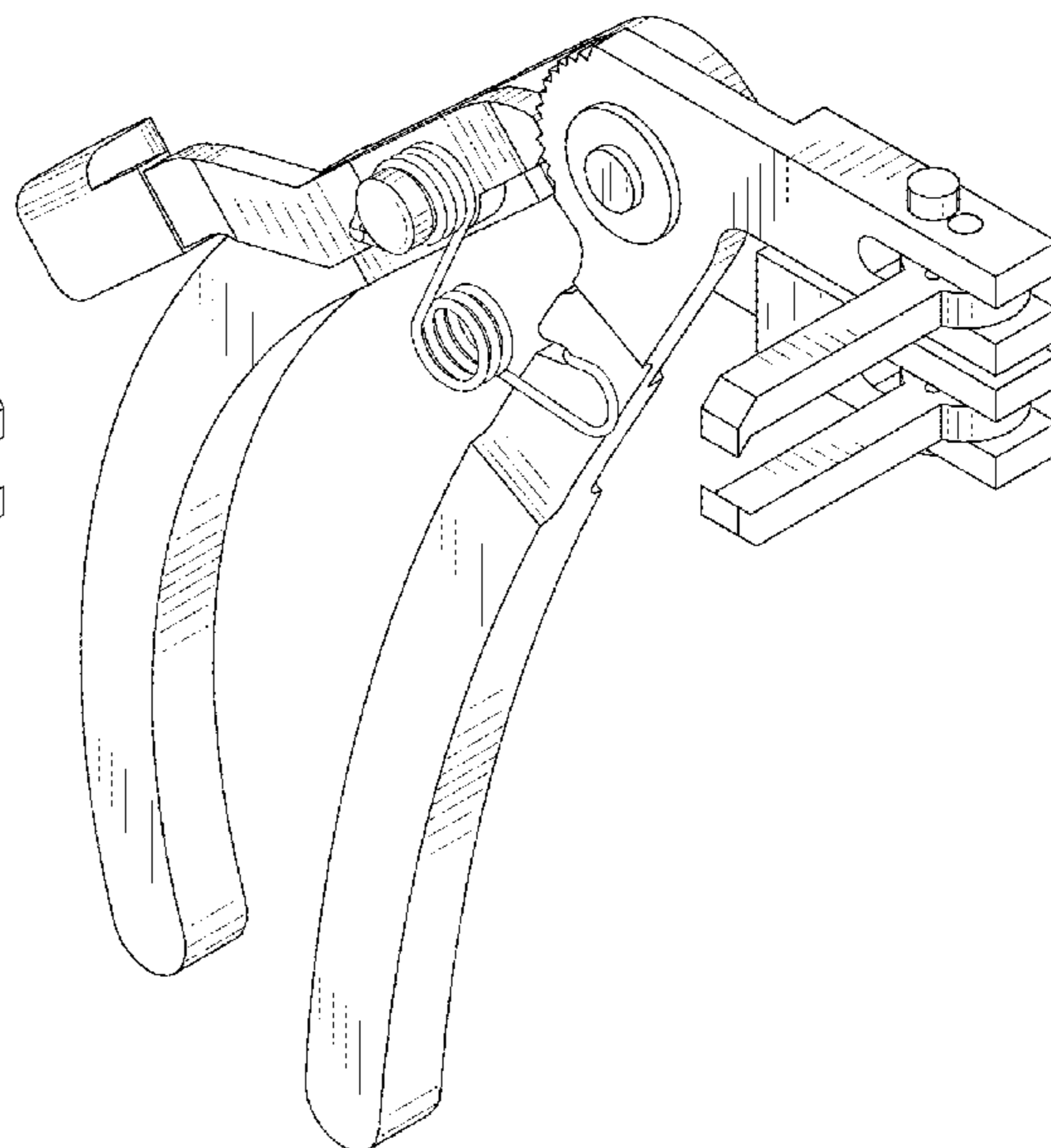
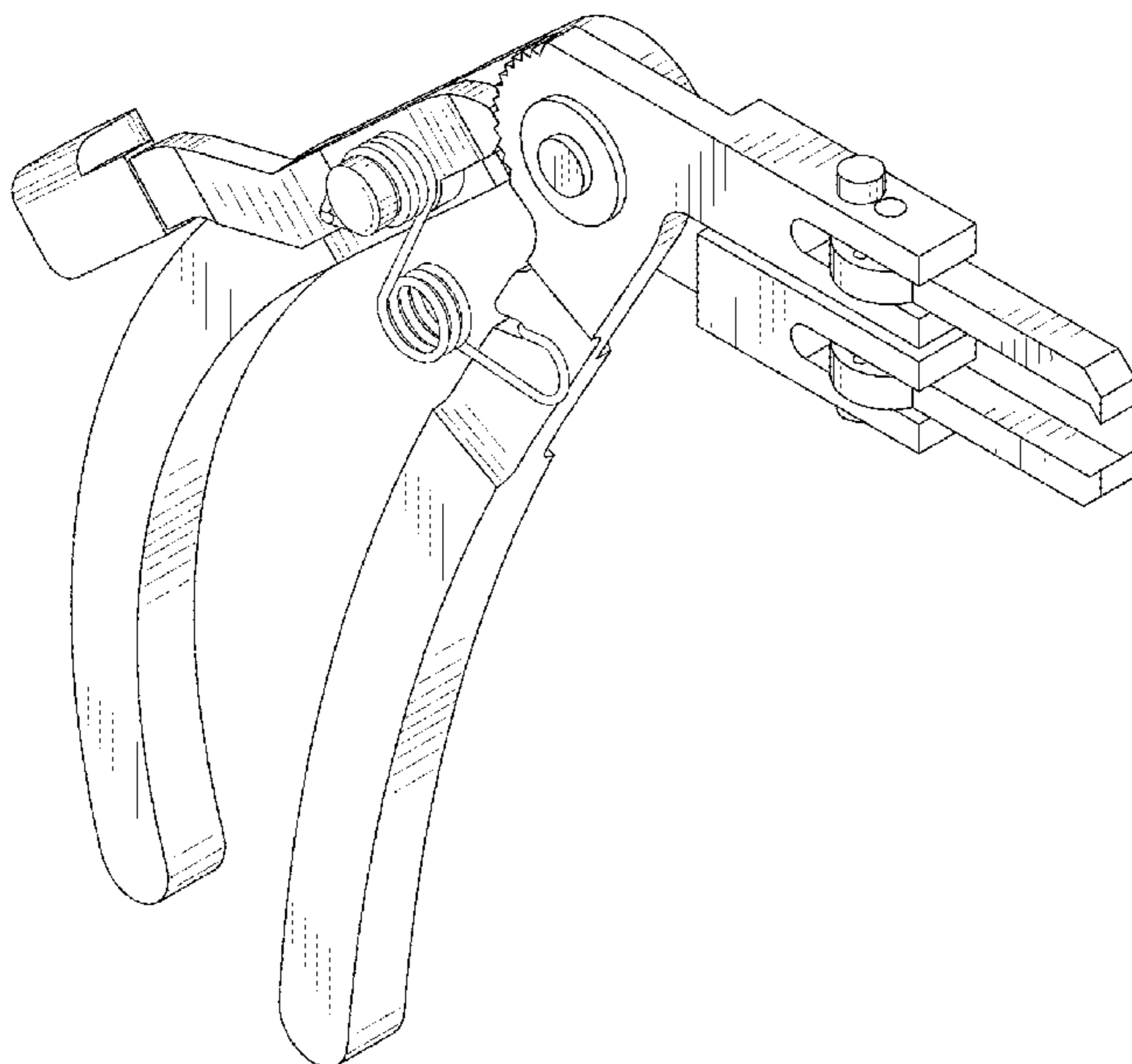
(57) **CLAIM**

The ornamental design for a clamping device, as shown and described.

DESCRIPTION

FIG. 1 is a front-right-top perspective view of the clamping device showing my new design;
FIG. 2 is a front elevational view thereof;
FIG. 3 is a rear front elevational view thereof;
FIG. 4 is a left side elevational view thereof;
FIG. 5 is a right side elevational view thereof;
FIG. 6 is a top plan view thereof;
FIG. 7 is a bottom plan view thereof;
FIG. 8 is a perspective view thereof showing the clamping device in an open position; and,
FIG. 9 is a perspective view thereof, showing the clamping device in use.

1 Claim, 7 Drawing Sheets



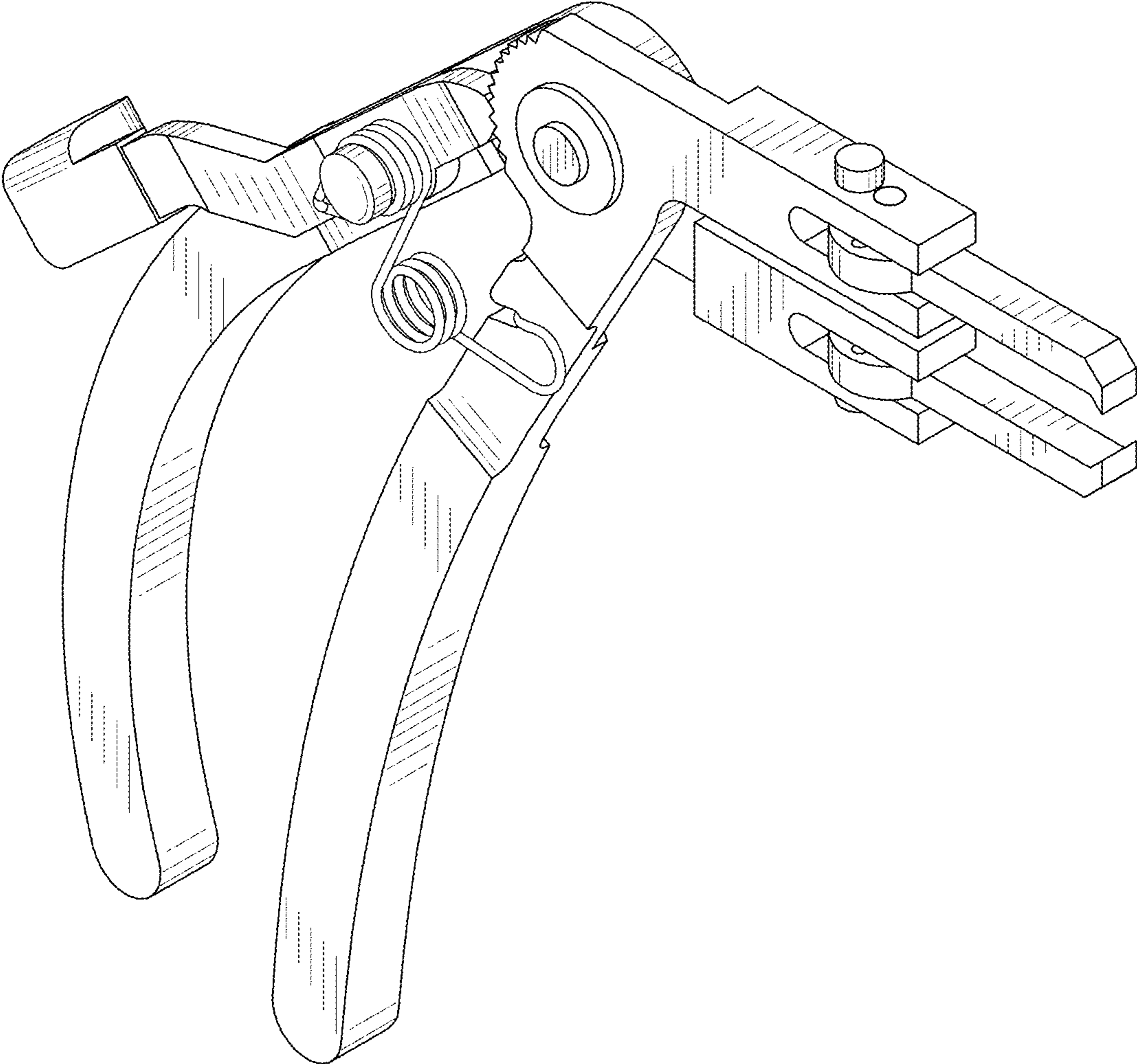


FIG.1

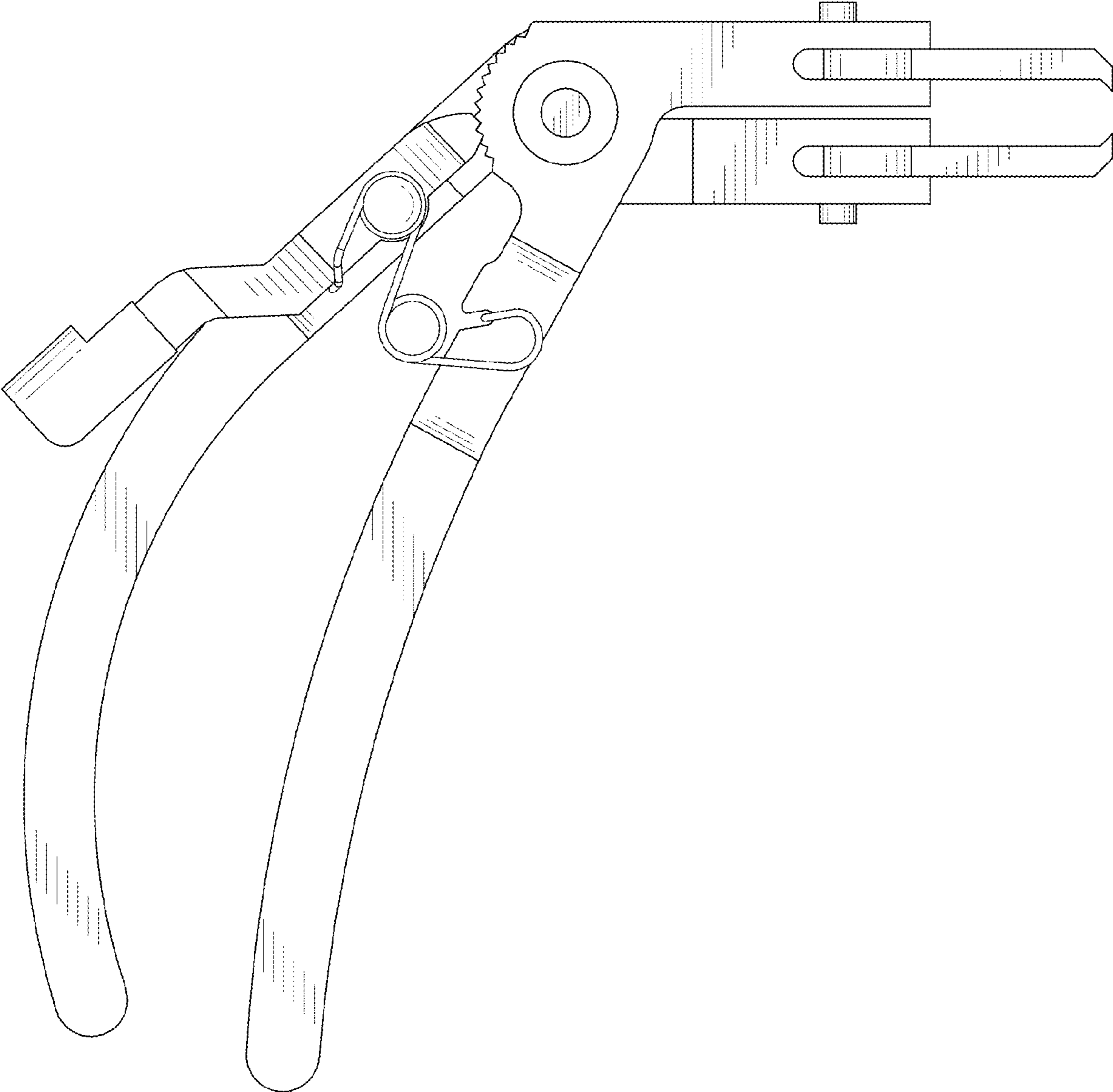


FIG.2

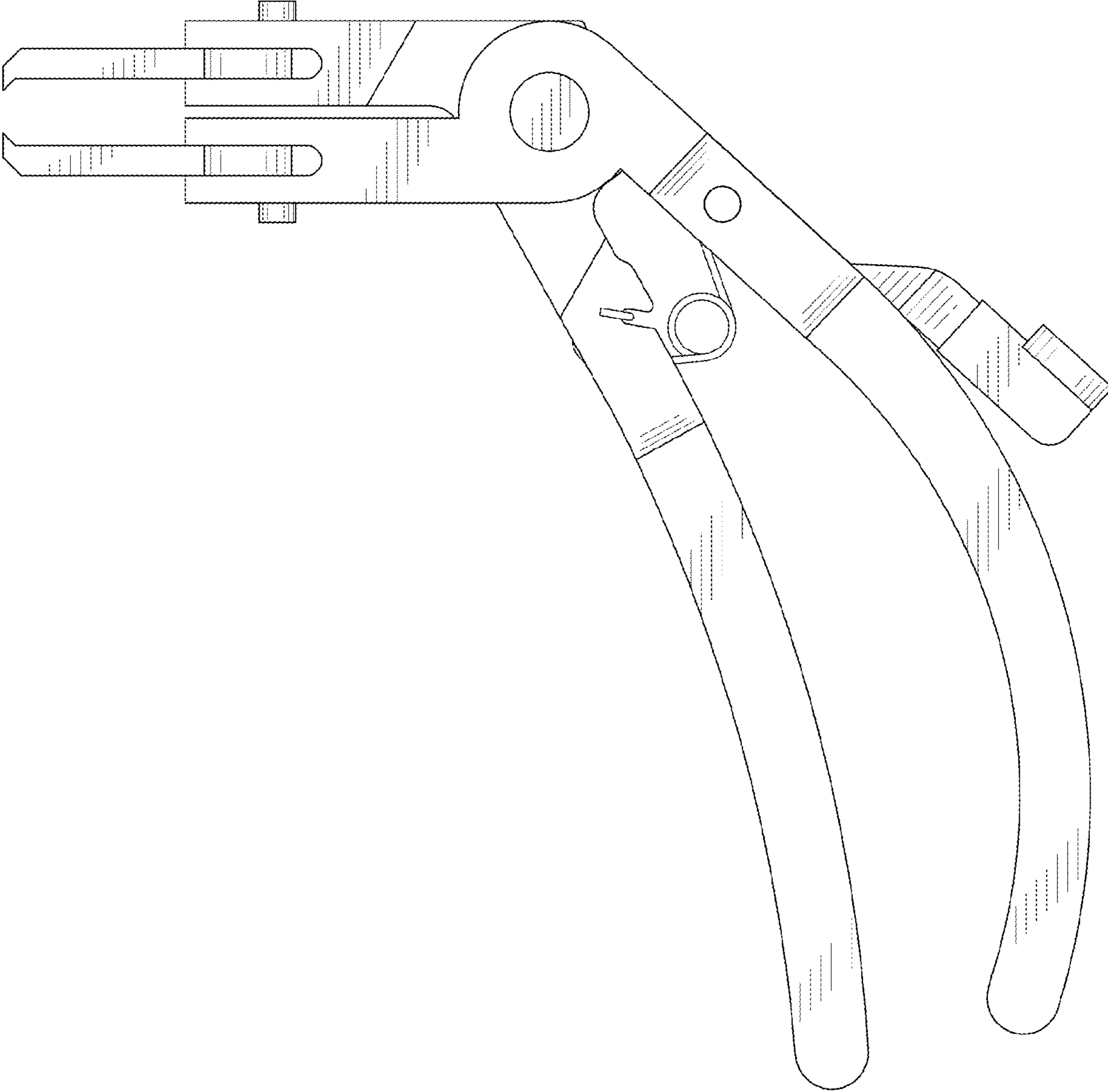


FIG.3

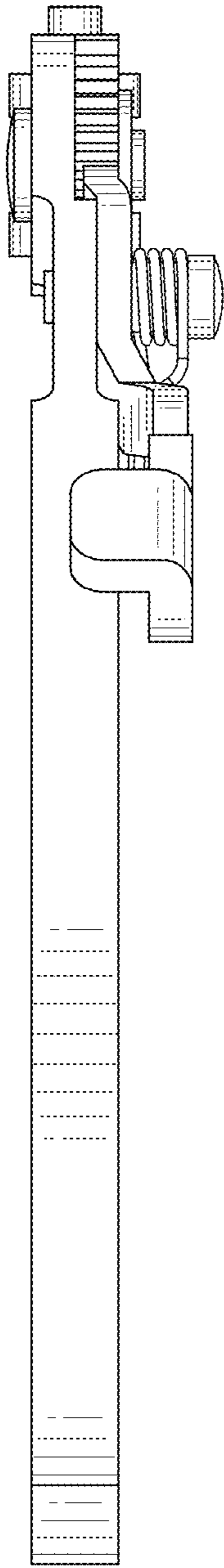


FIG.4

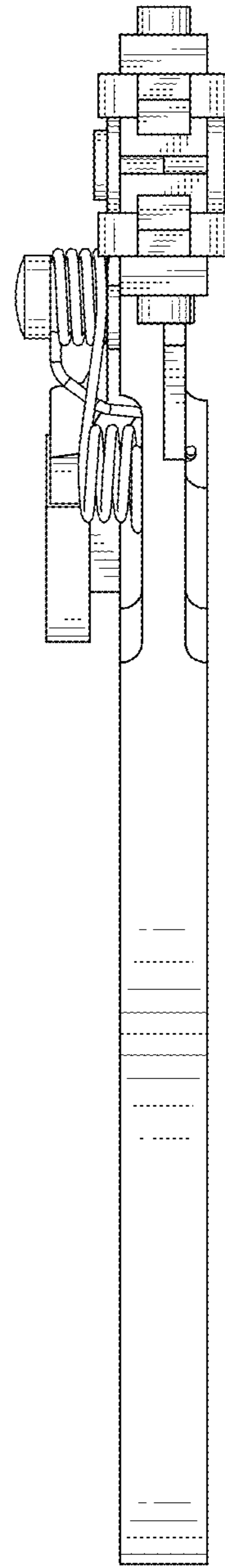


FIG.5

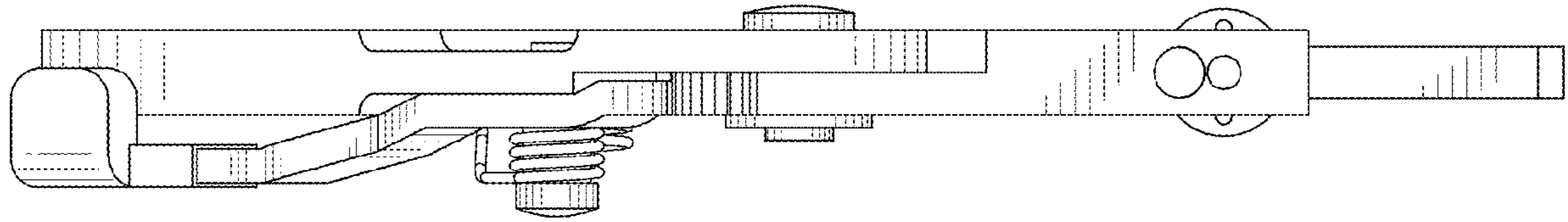


FIG.6

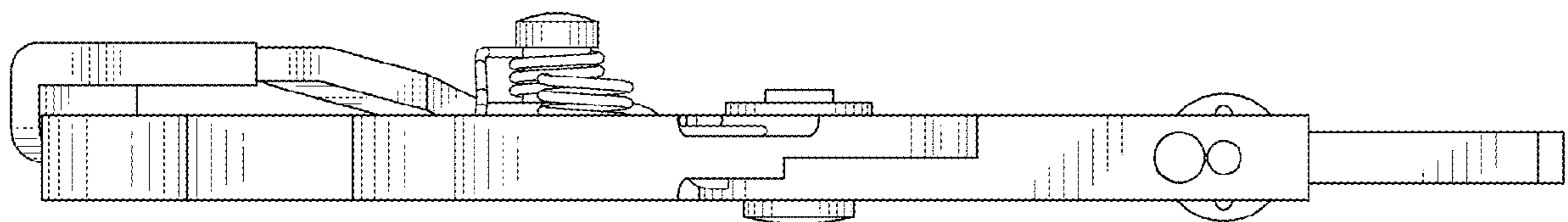


FIG.7

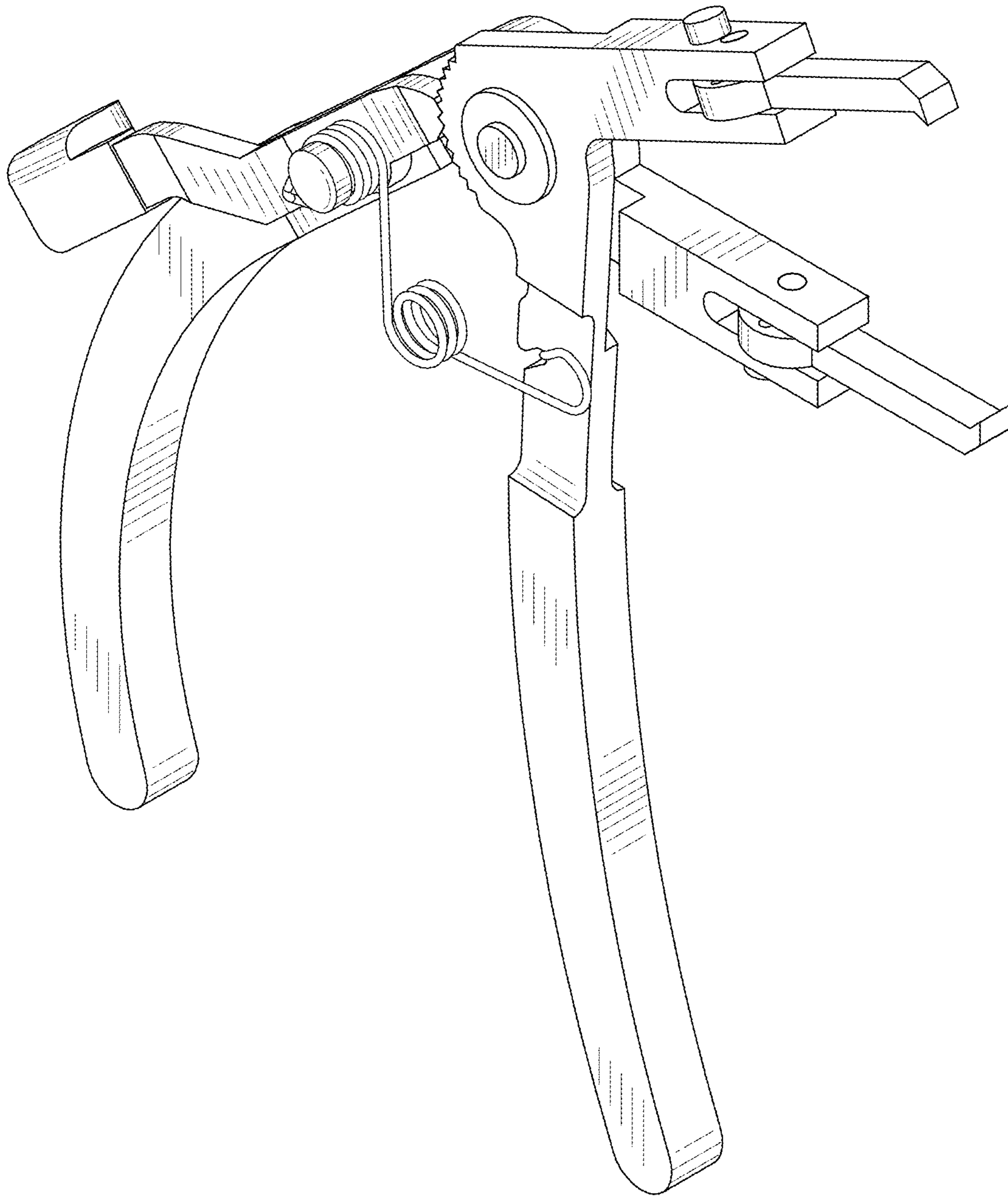


FIG.8

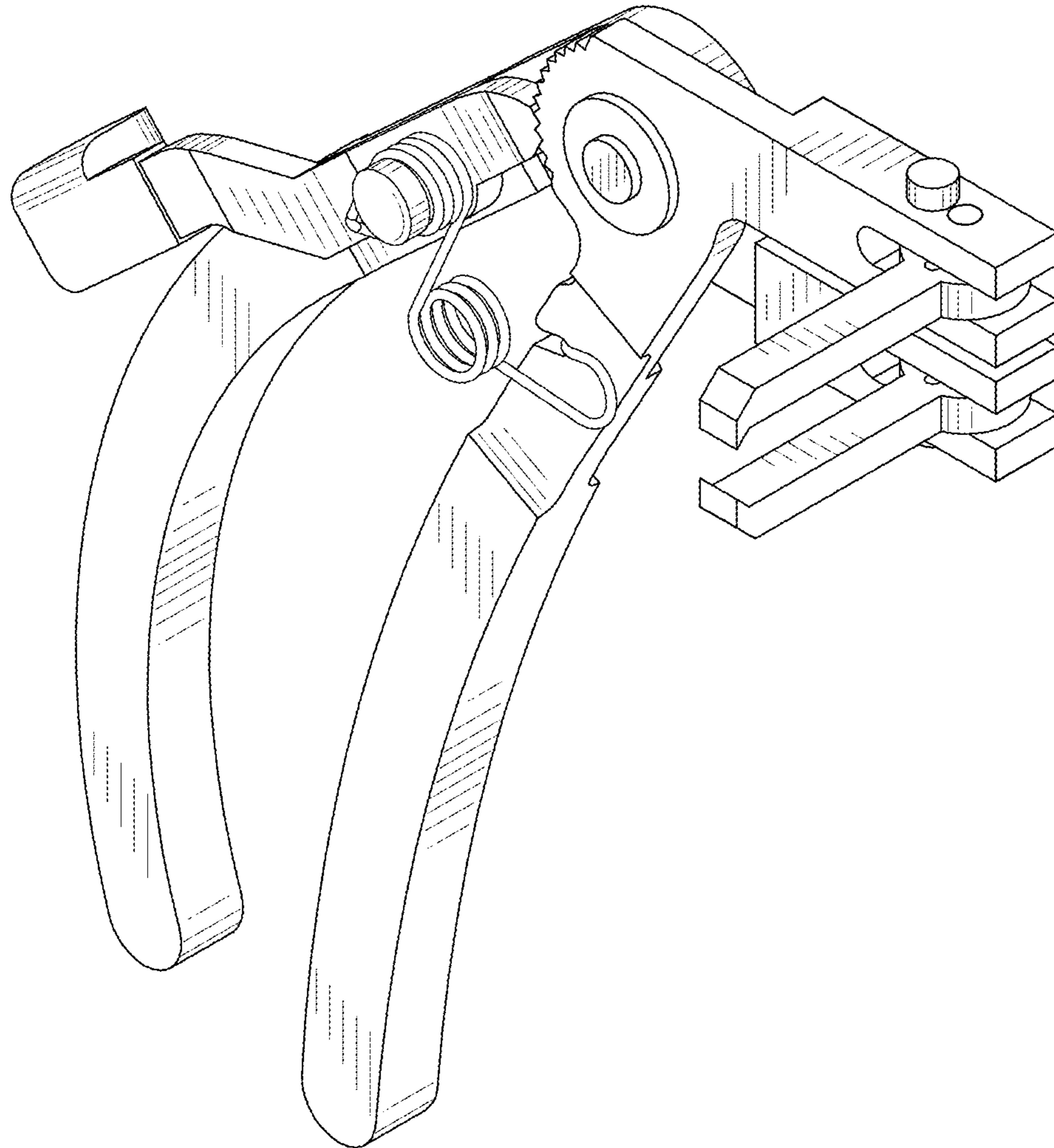


FIG.9