



US00D941102S

(12) **United States Design Patent** (10) **Patent No.:** **US D941,102 S**
Whitlock et al. (45) **Date of Patent:** **** Jan. 18, 2022**

(54) **SEMICIRCULAR CHEESE BOARD WITH DRAWER**

internet, URL:https://www.facebook.com/uncommongoods/videos/p.1070446669833137/1070446669833137/?type=3&theater (Year: 2019).*

(71) Applicants: **Paul Whitlock**, Santa Monica, CA (US); **Valerie Whitlock**, Santa Monica, CA (US)

* cited by examiner

(72) Inventors: **Paul Whitlock**, Santa Monica, CA (US); **Valerie Whitlock**, Santa Monica, CA (US)

Primary Examiner — Michael C Stout
Assistant Examiner — Katrina N Gonzalez
(74) *Attorney, Agent, or Firm* — D. Whitlow Bivens

(**) Term: **15 Years**

(57) **CLAIM**
The ornamental design for a semicircular cheese board with drawer, as shown and described.

(21) Appl. No.: **29/709,561**

DESCRIPTION

(22) Filed: **Oct. 15, 2019**

(51) **LOC (13) Cl.** **07-04**

(52) **U.S. Cl.**
USPC **D7/698**

(58) **Field of Classification Search**
USPC ... D7/543, 549, 550.1, 554.3, 586, 698, 699
See application file for complete search history.

FIG. 1 is a top, front perspective view of a semicircular cheese board with drawer, showing our new design in a closed position.

FIG. 2 is a front view thereof;

FIG. 3 is a back view thereof;

FIG. 4 is a left side elevation view thereof, the right side elevation view being a mirror image.

FIG. 5 is a top plan view thereof;

FIG. 6 is a bottom plan view thereof;

FIG. 7 is an exploded perspective view, shown with a portion rotated in an open position and the utensil drawer pulled out for clarity of illustration.

FIG. 8 is a top, front perspective view, shown in an open position with the utensil drawer pulled out for clarity of illustration.

FIG. 9 is a front view thereof;

FIG. 10 is a back view thereof;

FIG. 11 is a left side elevation view thereof, the right side elevation view being a mirror image.

FIG. 12 is a top plan view thereof; and,

FIG. 13 is a bottom plan view thereof.

The broken lines illustrate portions of the semicircular cheese board with drawer that form no part of the claimed design.

(56) **References Cited**

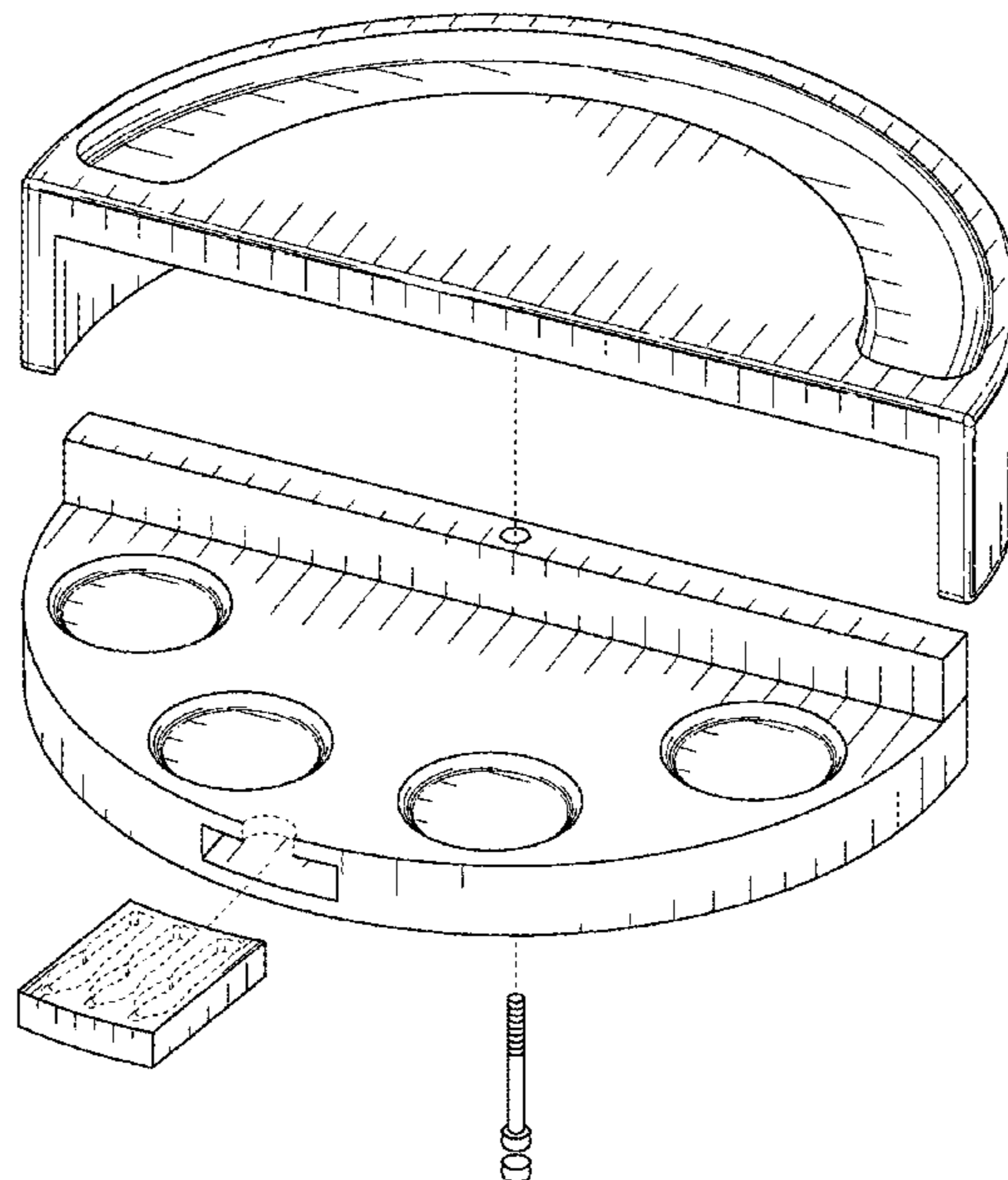
U.S. PATENT DOCUMENTS

D244,169 S *	5/1977	Barnsley	D7/698
D598,252 S *	8/2009	West	D7/698
D655,939 S *	3/2012	Tracy	D7/698
D687,269 S *	8/2013	Guy	D7/698
D760,558 S *	7/2016	Whitlock	D7/698
D763,638 S *	8/2016	Whitlock	D7/698
D846,363 S *	4/2019	Agahian	D7/698
D883,044 S *	5/2020	Poon	D7/698

OTHER PUBLICATIONS

“Uncommon Goods—Facebook” (via Facebook), available Jun. 18, 2019, [online], [site visited Dec. 8, 2020]. Video retrieved from

1 Claim, 9 Drawing Sheets



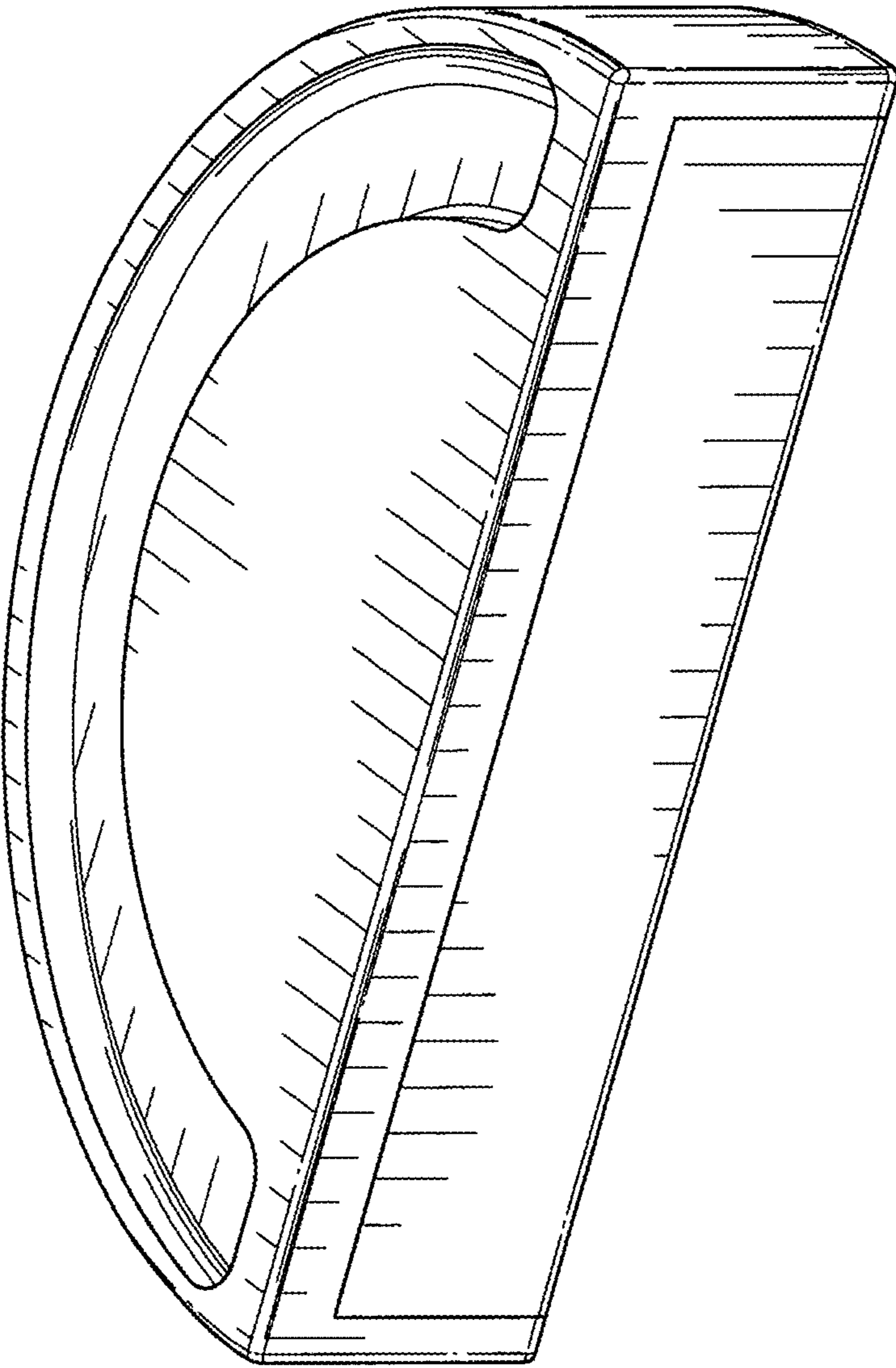


FIG. 1

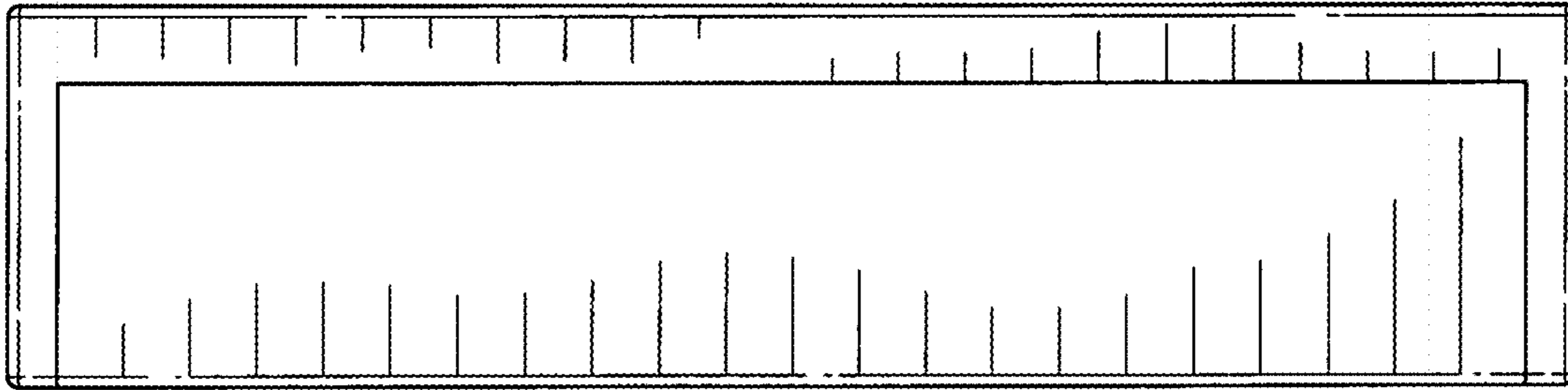


FIG. 2

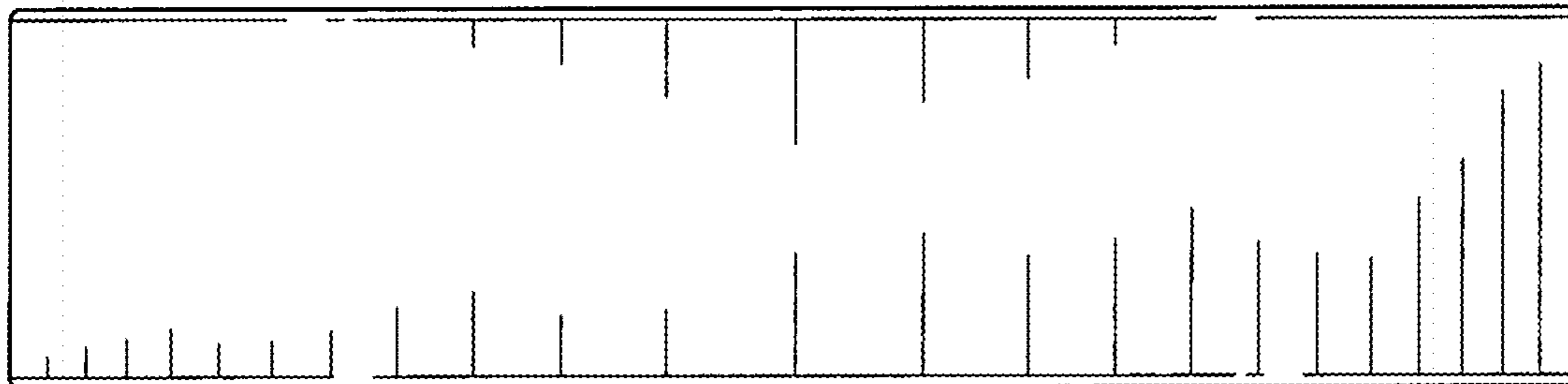


FIG. 3

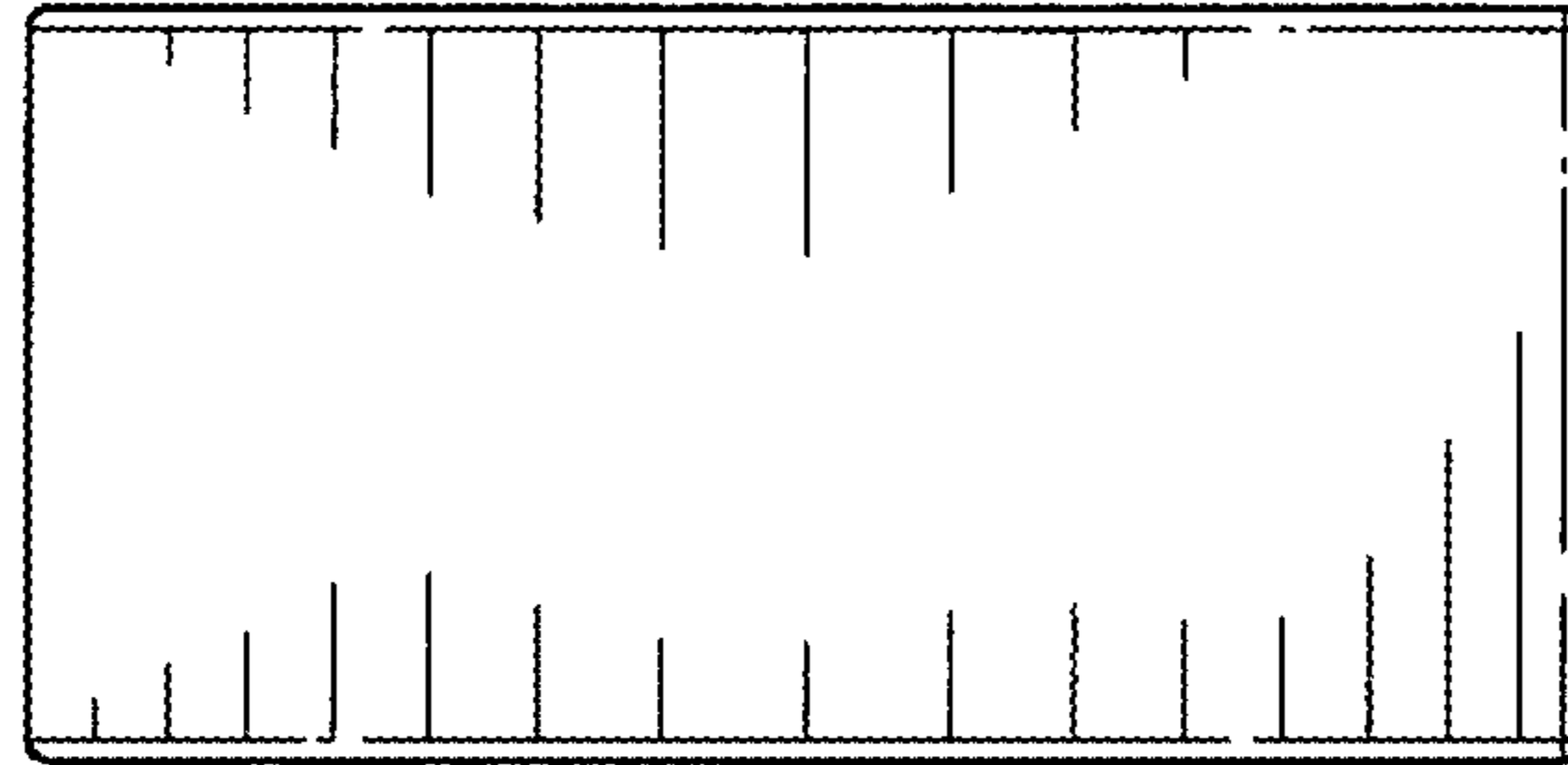


FIG. 4

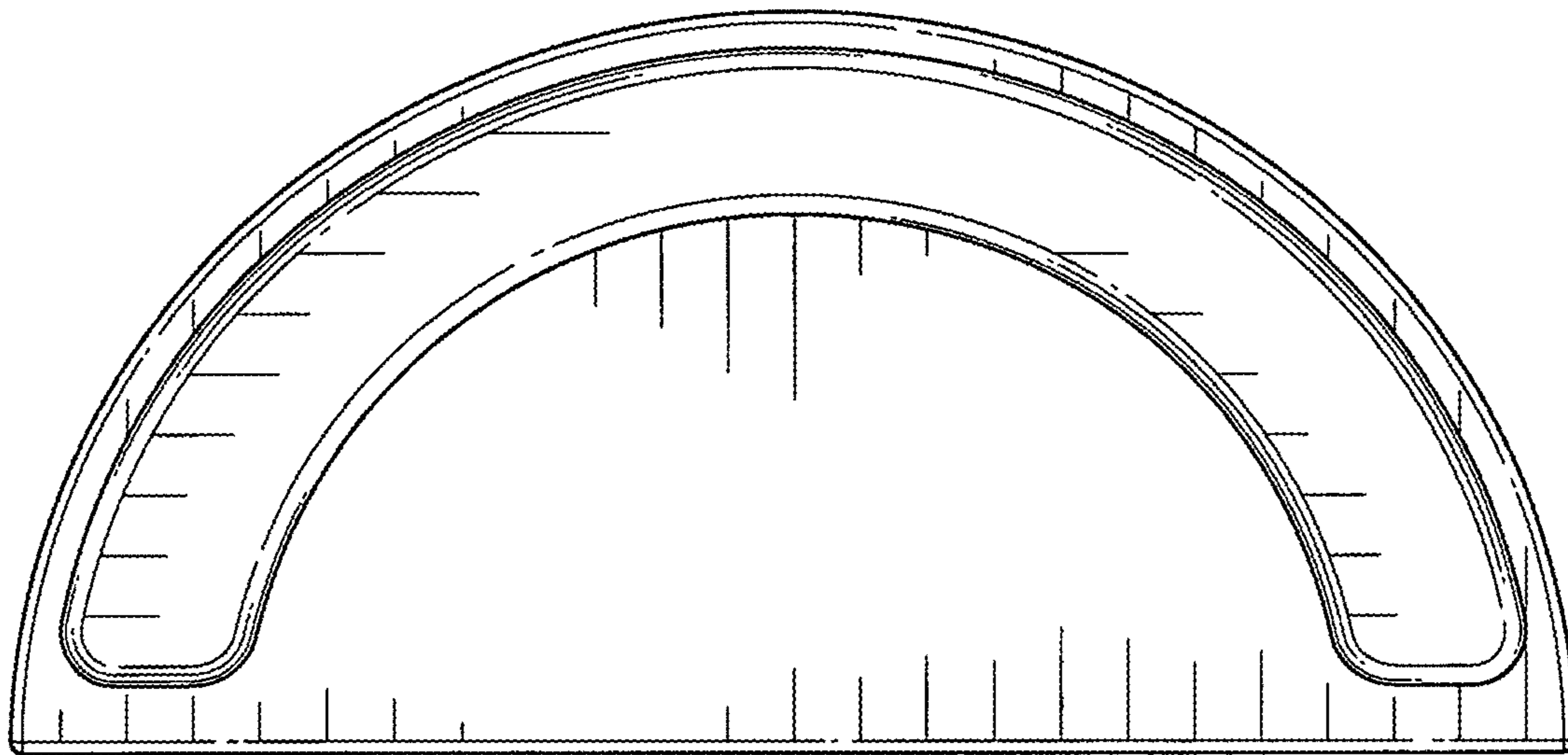


FIG. 5

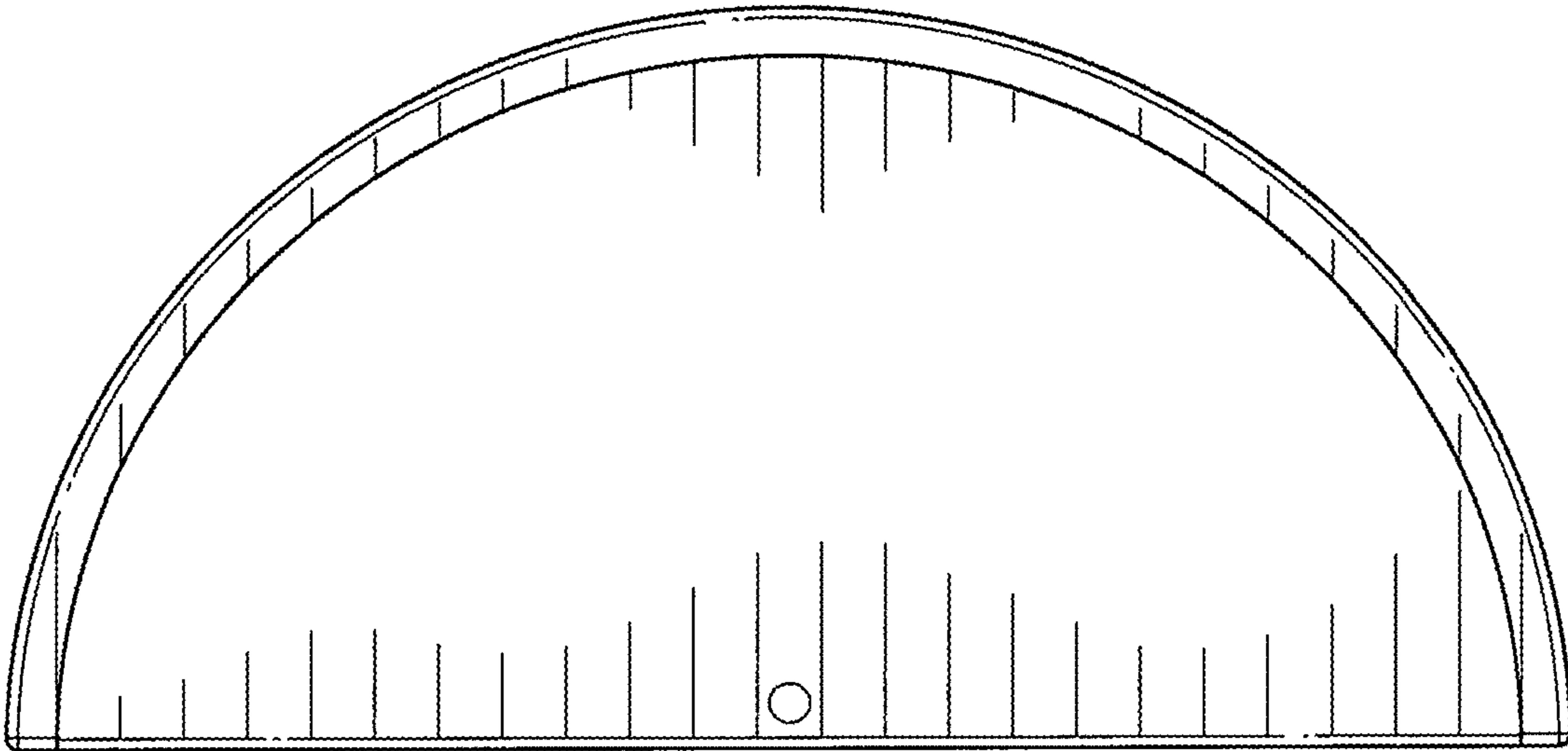


FIG. 6

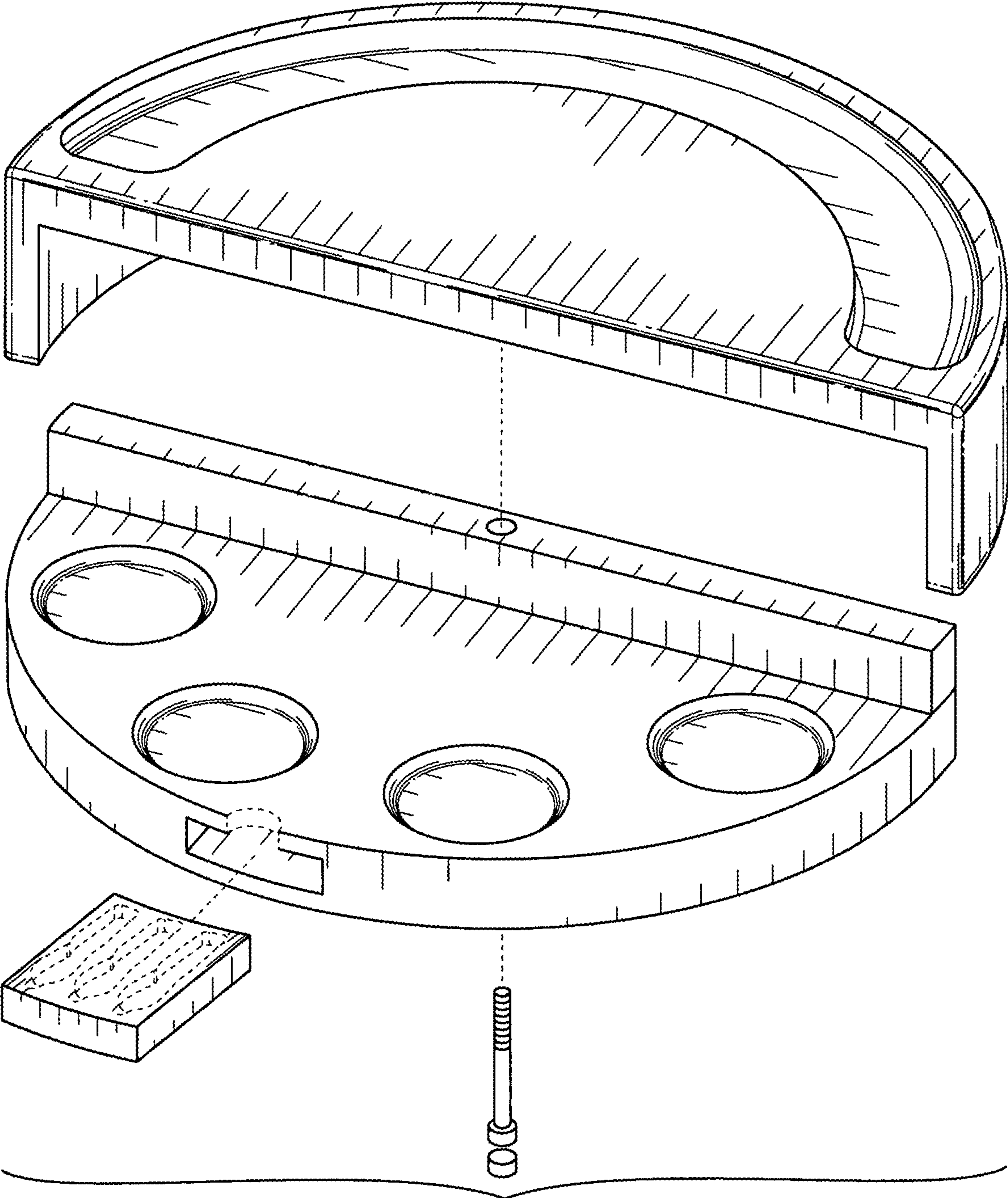


FIG. 7

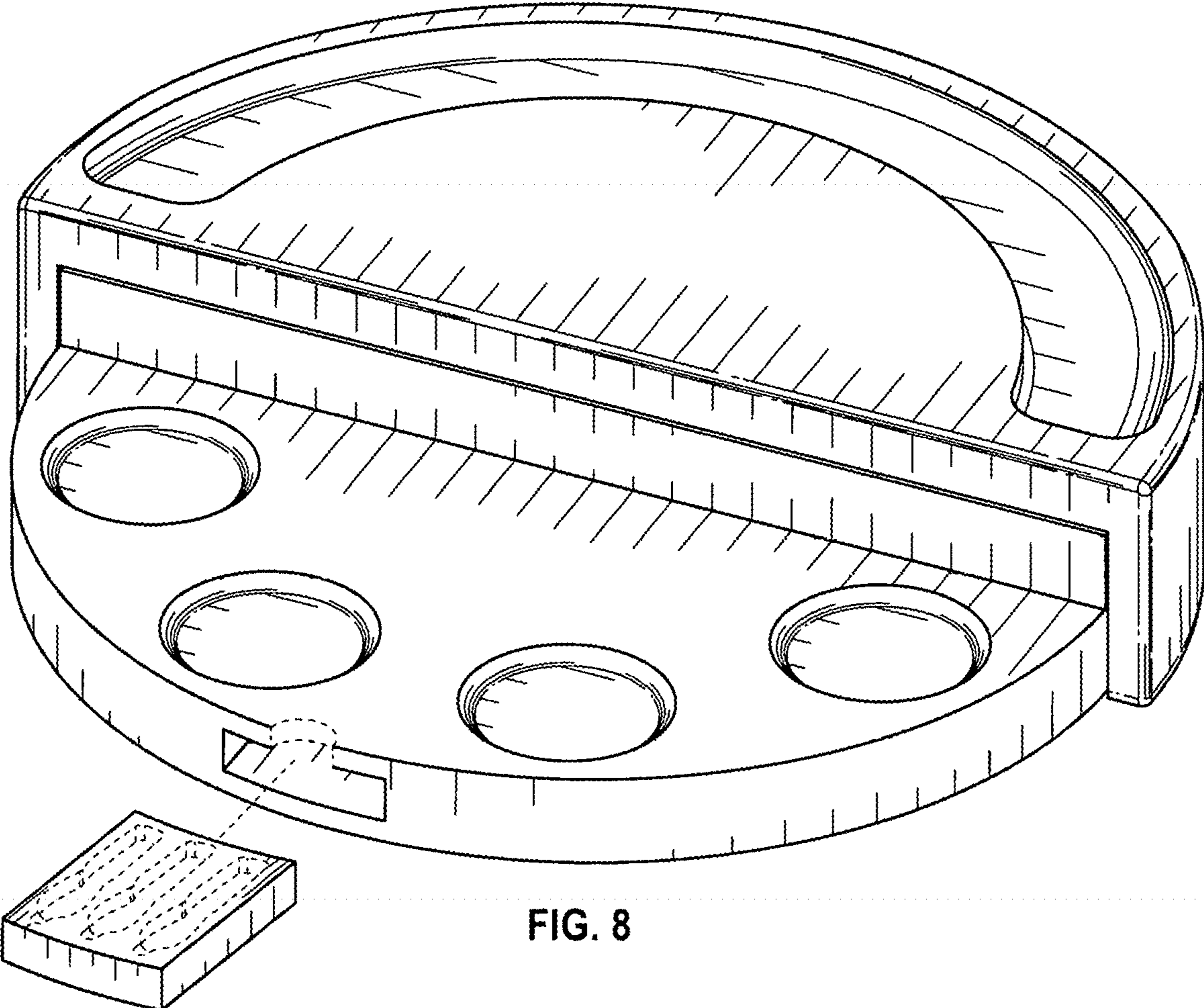


FIG. 8

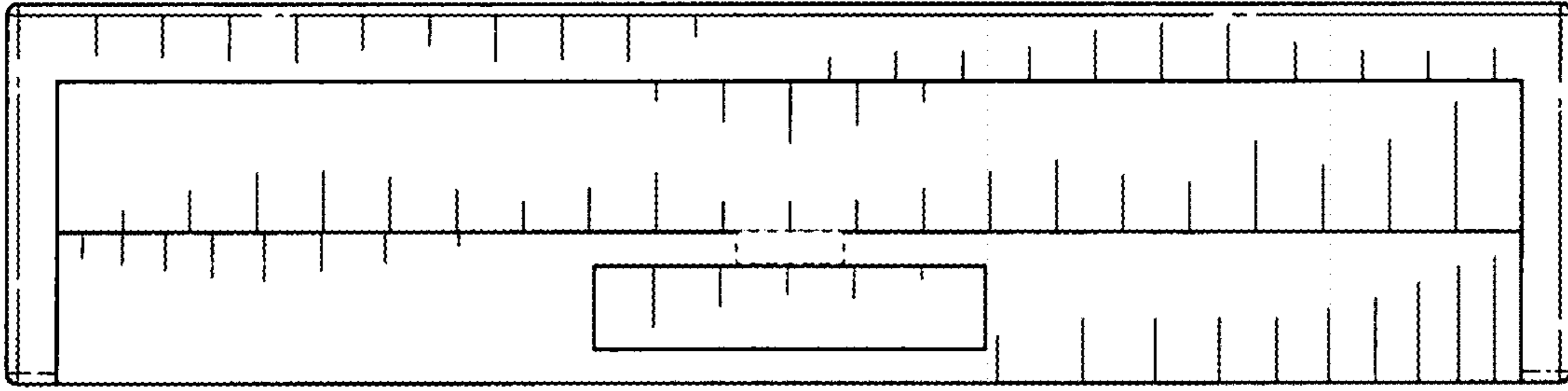


FIG. 9

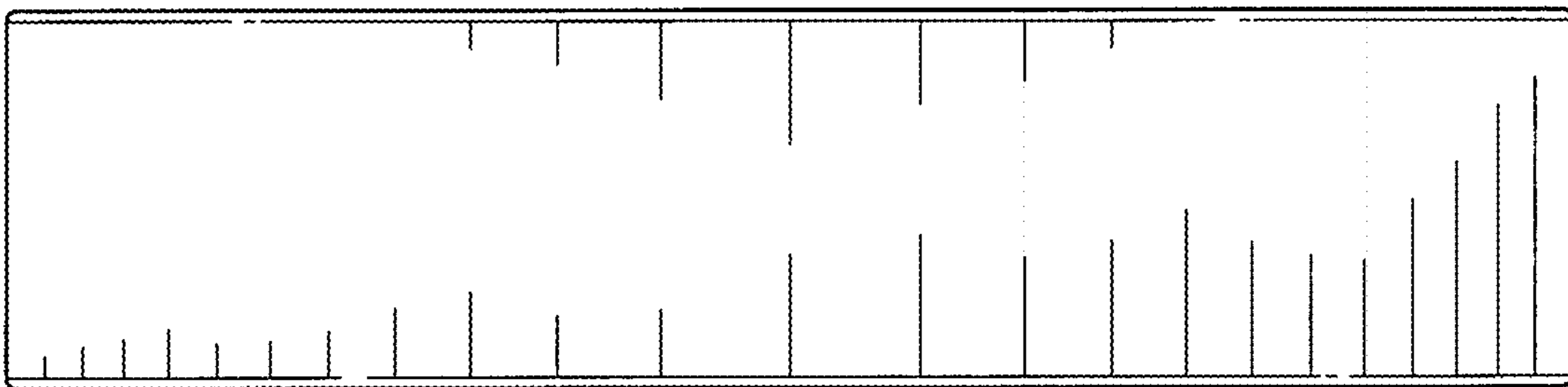


FIG. 10

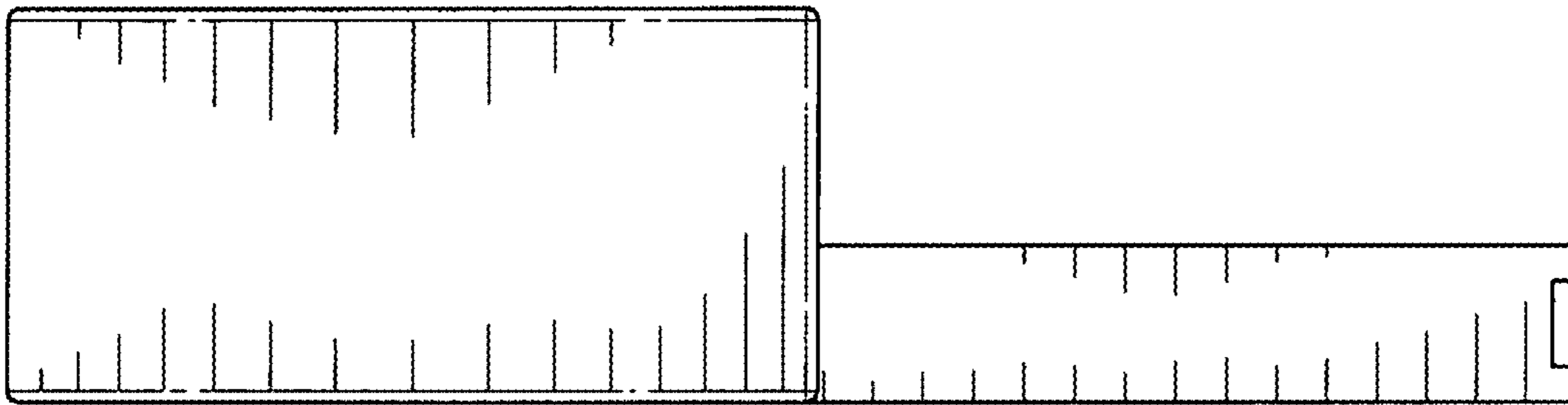


FIG. 11

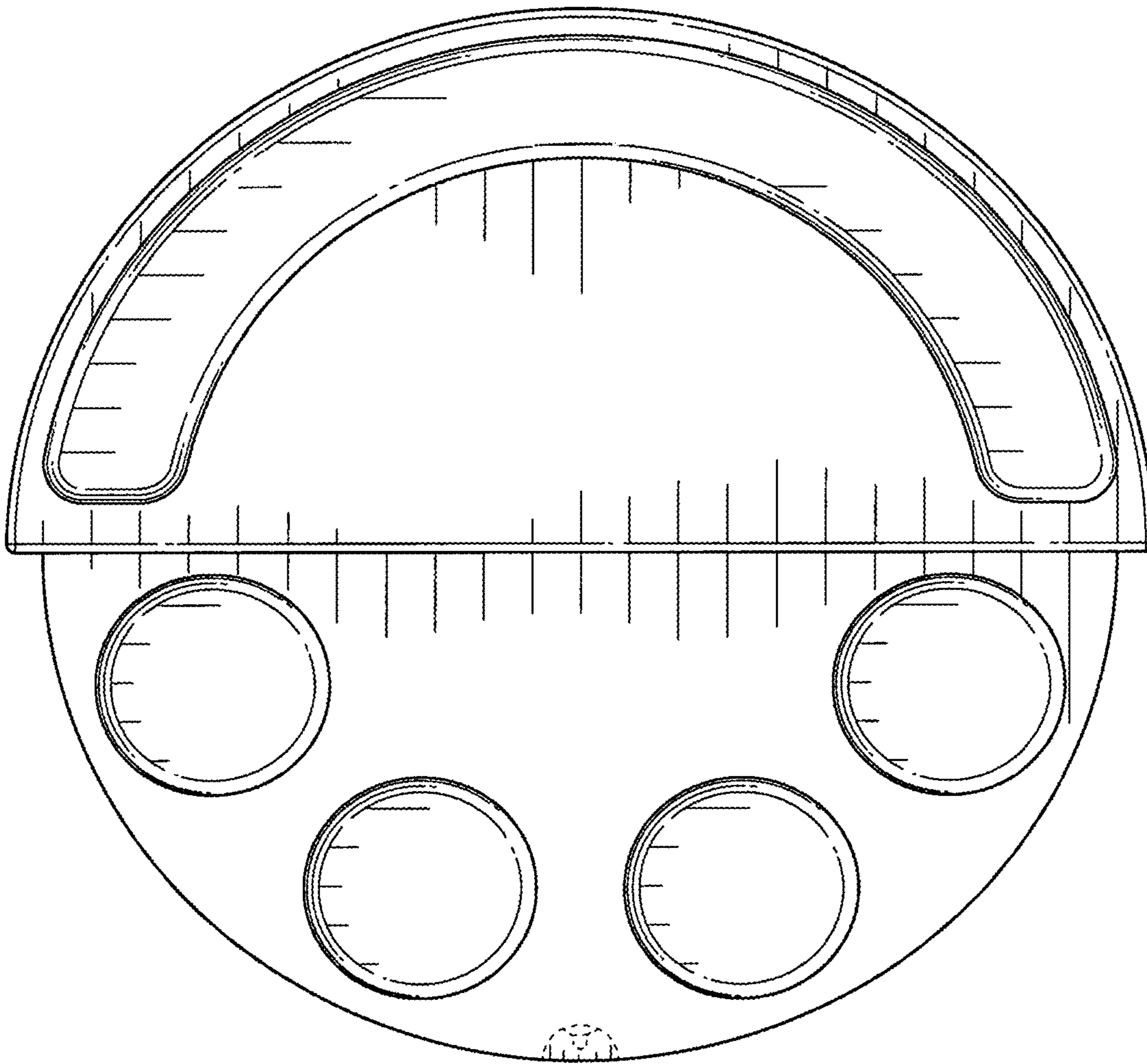


FIG. 12

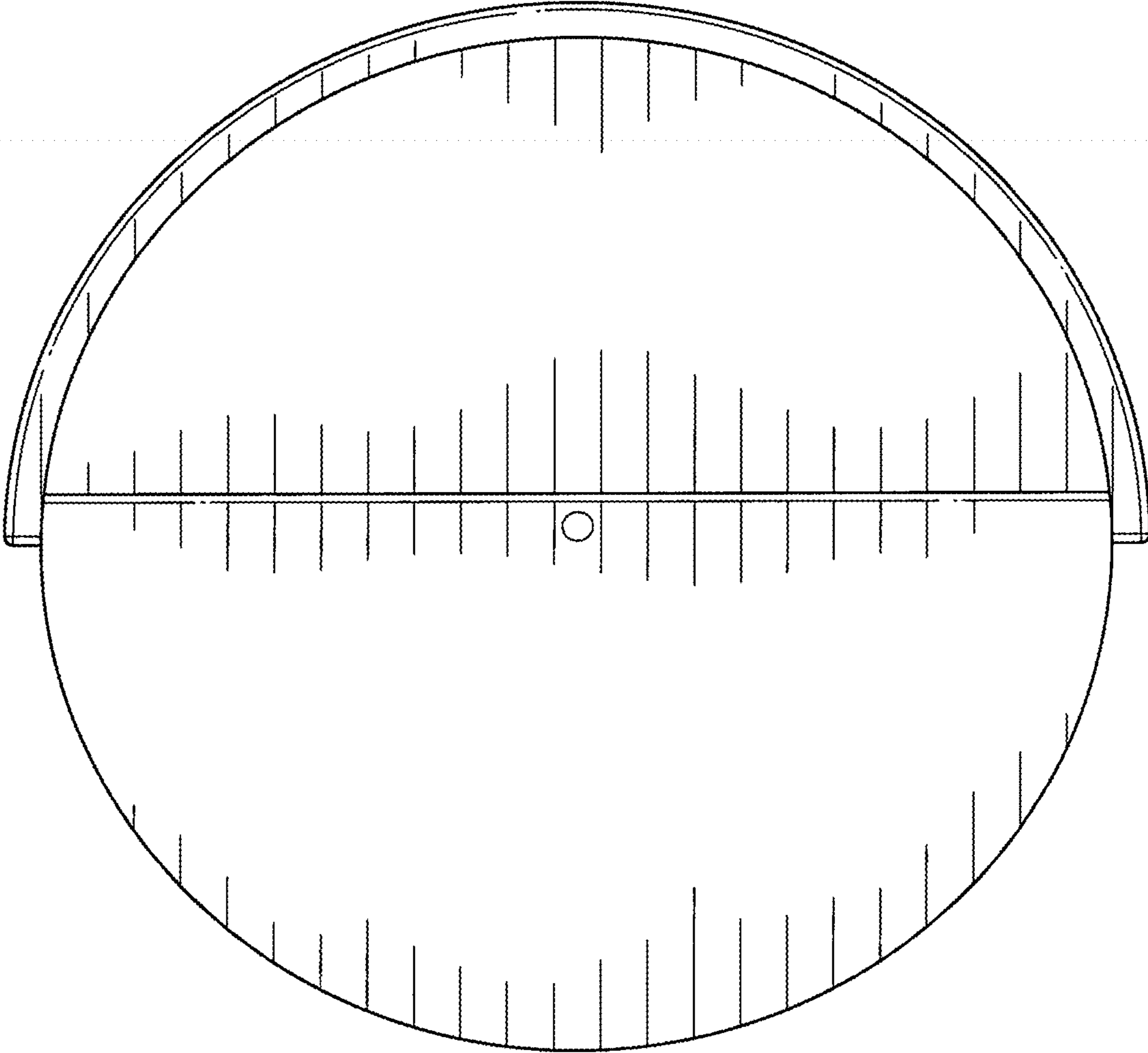


FIG. 13