



US00D941101S

(12) **United States Design Patent**
Yang

(10) **Patent No.:** **US D941,101 S**
(45) **Date of Patent:** **** Jan. 18, 2022**

(54) **CORN FORK**
(71) Applicant: **Xianrong Yang**, Jiangle (CN)
(72) Inventor: **Xianrong Yang**, Jiangle (CN)

D562,089 S 2/2008 Peterson
D624,792 S 10/2010 Ghassemian et al.
D694,075 S * 11/2013 Zemel D7/683
8,631,951 B1 * 1/2014 Daugherty, Jr. A47G 19/303
211/85.4

(**) Term: **15 Years**

OTHER PUBLICATIONS

(21) Appl. No.: **29/773,286**

Amazon.com, 24 pieces Corn Cob Holders & Dish Set Corn on the cob Skewer, pp. 1-6, ASIN: B08BZGJJJT, first date available Jun. 29, 2020. (Year: 2020).*

(22) Filed: **Mar. 9, 2021**

* cited by examiner

(51) **LOC (13) Cl.** **07-06**

(52) **U.S. Cl.**
USPC **D7/684**

Primary Examiner — Terry A Wallace

(58) **Field of Classification Search**
USPC D7/368, 669, 680–696
CPC A47G 19/303; A47G 19/00; A47G 19/30;
A47G 21/023; A47G 21/00; A47J 17/10
See application file for complete search history.

(57) **CLAIM**

The ornamental design for a corn fork, as shown and described.

DESCRIPTION

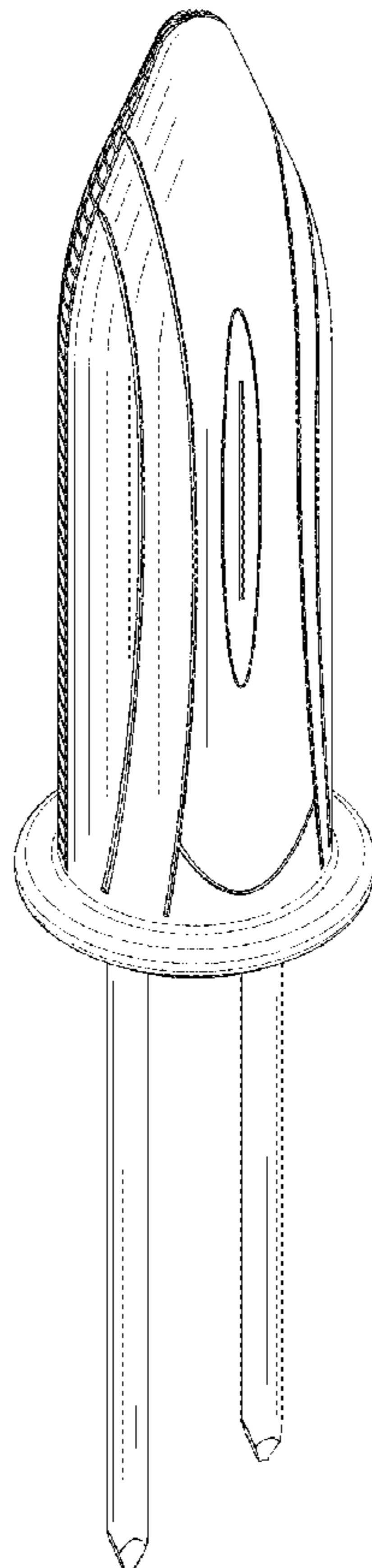
(56) **References Cited**

U.S. PATENT DOCUMENTS

D209,158 S * 11/1967 Levin D7/684
3,995,902 A * 12/1976 Sciaino, Jr. A47G 19/303
294/5
4,163,575 A * 8/1979 Riedinger, Jr. A47G 19/303
294/5
5,566,997 A * 10/1996 Lin A47G 19/303
294/5
D525,835 S 8/2006 Moore

FIG. 1 is a first perspective view of a corn fork showing my new design;
FIG. 2 is a second perspective view thereof;
FIG. 3 is a front view thereof;
FIG. 4 is a back view thereof;
FIG. 5 is a left side view thereof;
FIG. 6 is a right side view thereof;
FIG. 7 is a top view thereof; and,
FIG. 8 is a bottom view thereof.

1 Claim, 8 Drawing Sheets



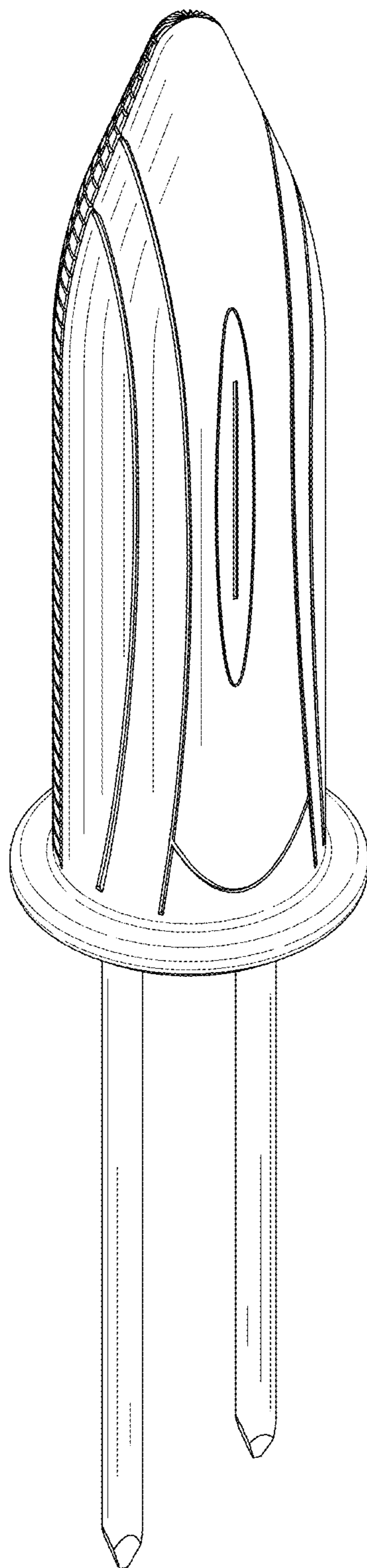


FIG. 1

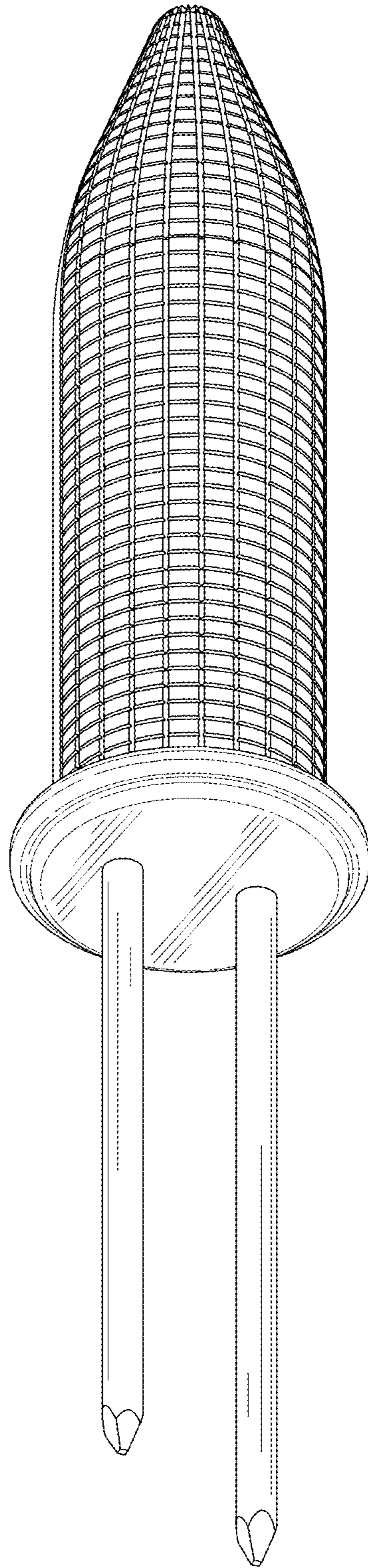


FIG. 2

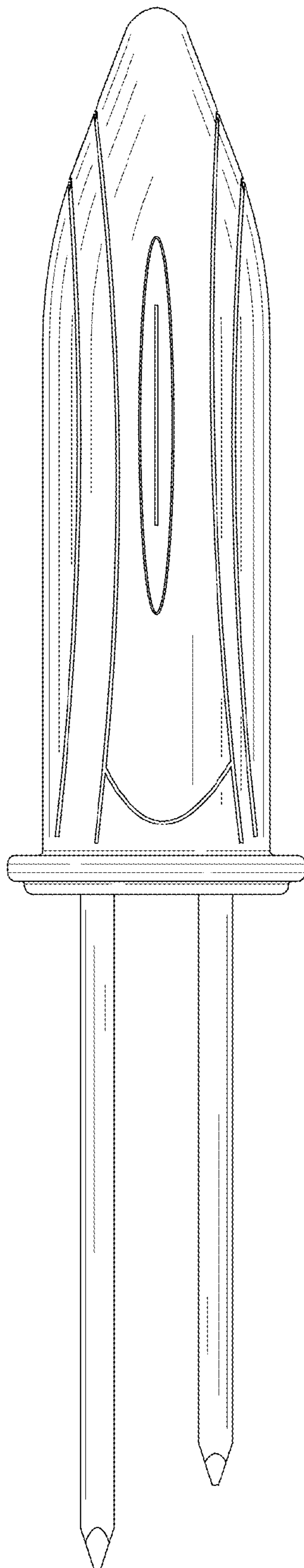


FIG. 3

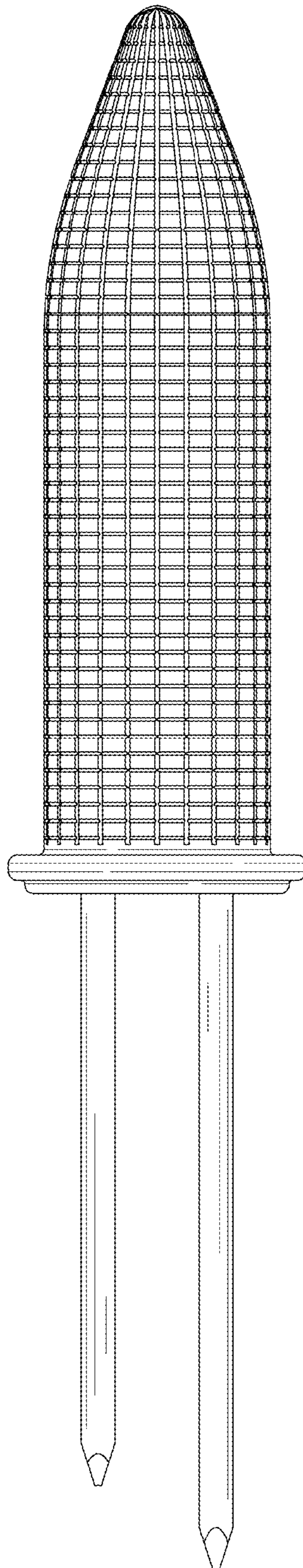


FIG. 4

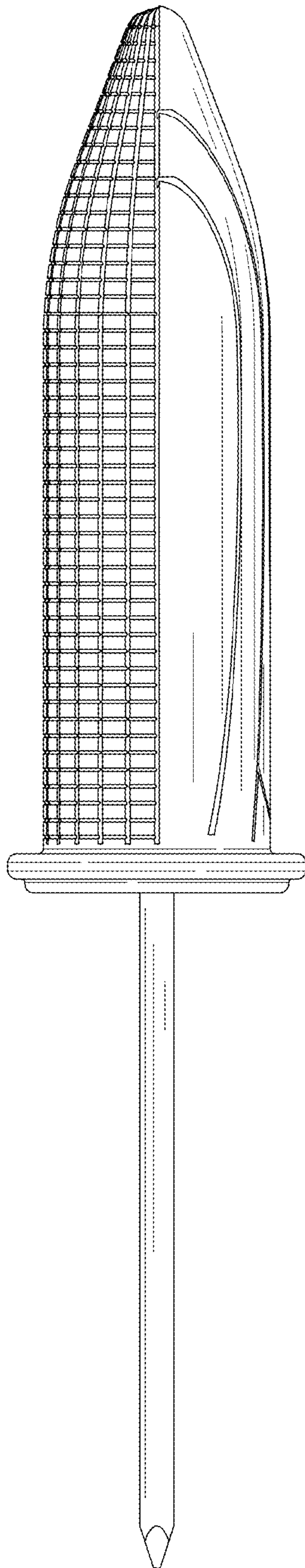


FIG. 5

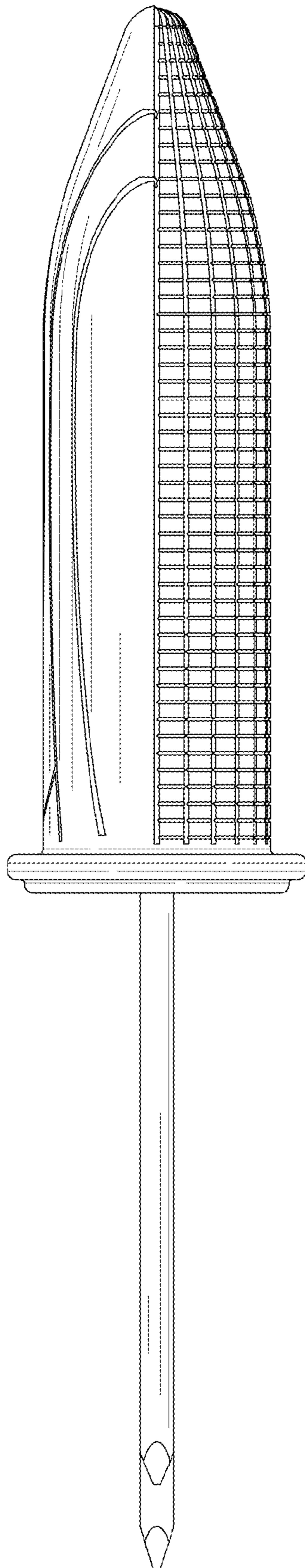


FIG. 6

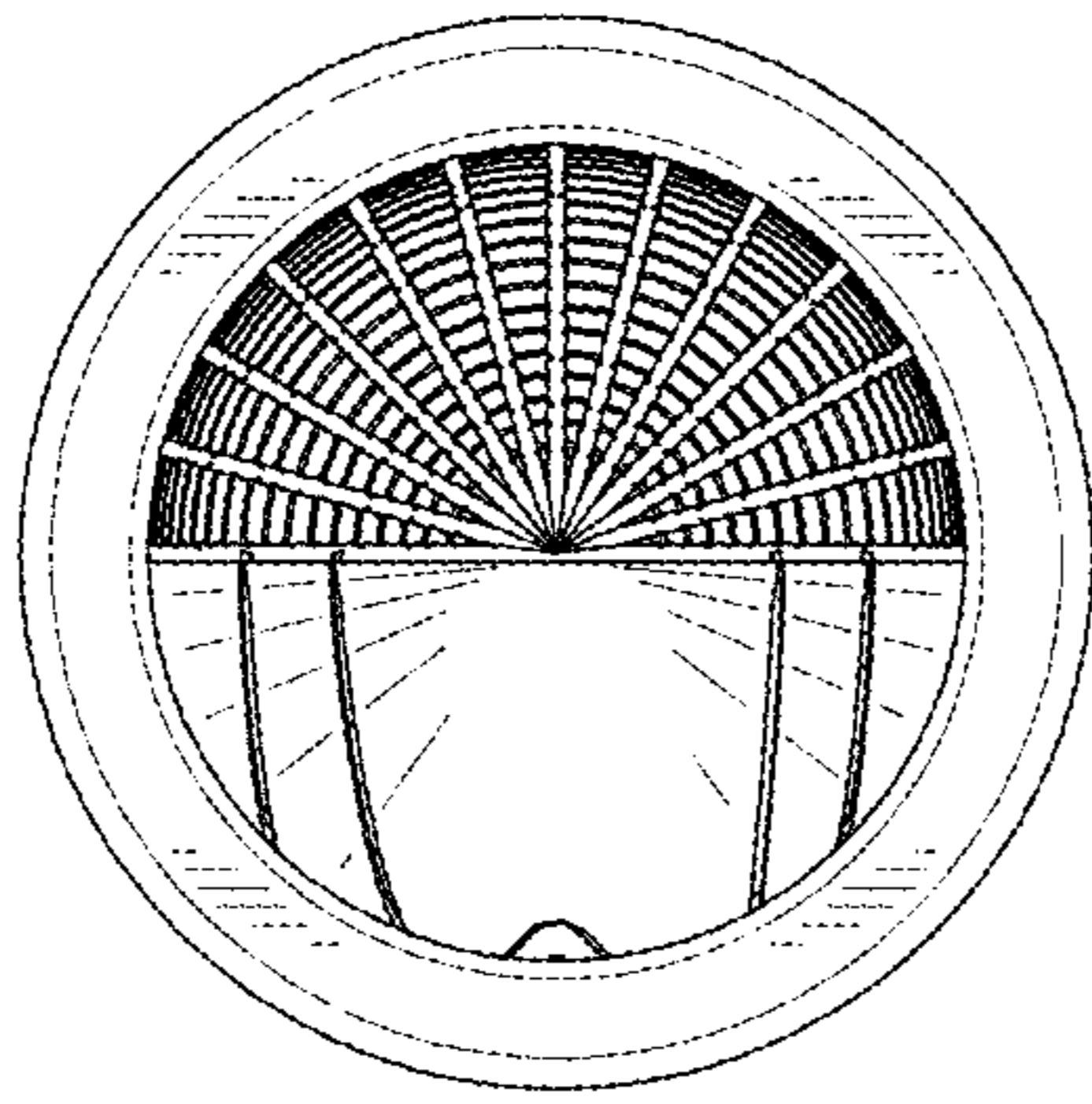


FIG. 7

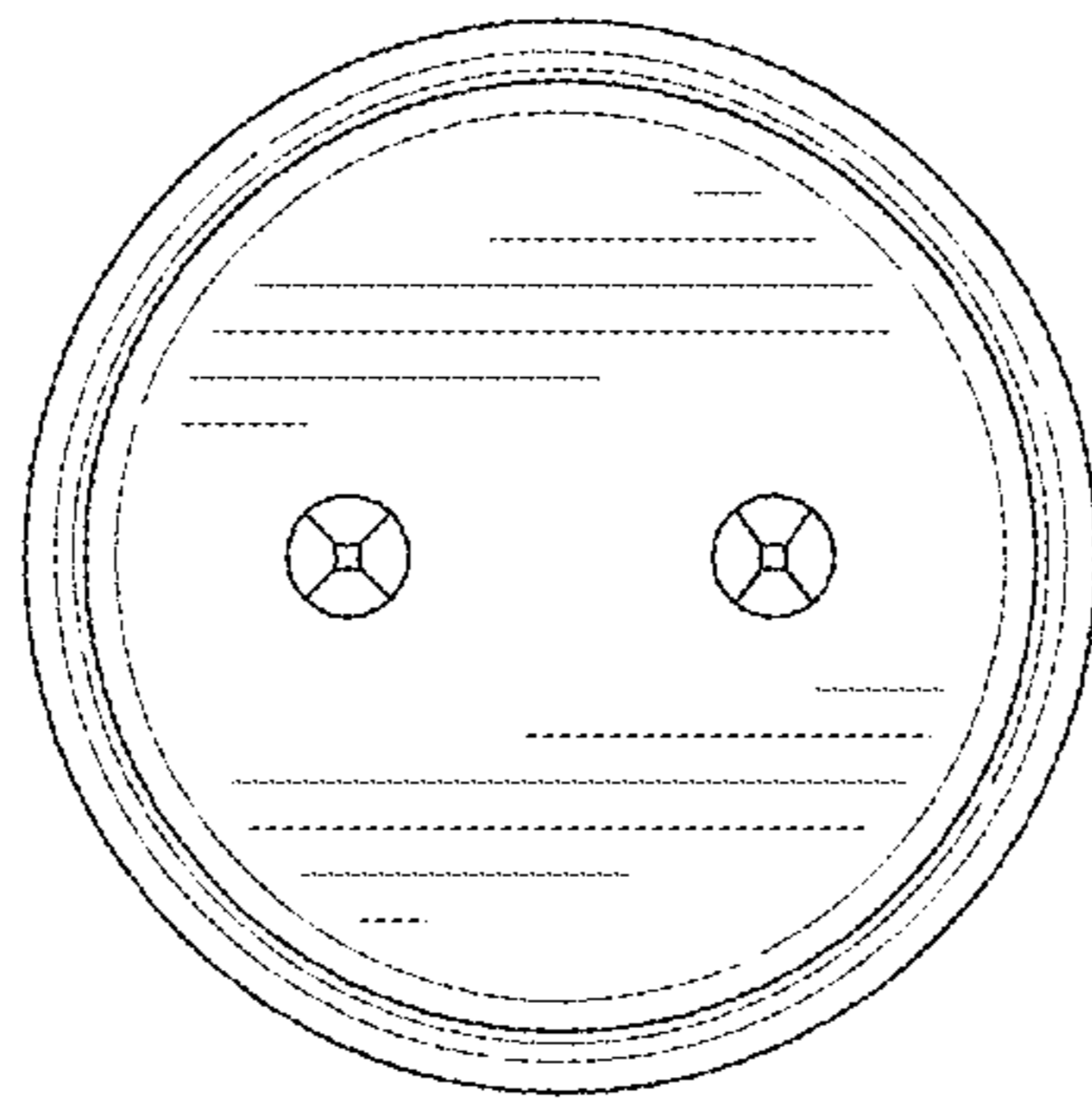


FIG. 8