



US00D941100S

(12) **United States Design Patent**
Howard et al.

(10) **Patent No.:** **US D941,100 S**
(45) **Date of Patent:** **** Jan. 18, 2022**

(54) **SHREDDED POTATO BOWL PRESS**

(71) Applicant: **Lamb Weston, Inc.**, Eagle, ID (US)

(72) Inventors: **Grayden Howard**, Eagle, ID (US);
Kevin Mellor, Eagle, ID (US)

(73) Assignee: **Lamb Weston, Inc.**, Eagle, ID (US)

(**) Term: **15 Years**

(21) Appl. No.: **29/689,902**

(22) Filed: **May 2, 2019**

(51) **LOC (13) Cl.** **07-04**

(52) **U.S. Cl.**
USPC **D7/672; D7/357**

(58) **Field of Classification Search**
USPC D7/672-677, 693-697, 393, 395, 381,
D7/383, 357, 354; 30/301, 306;
D15/136, 90, 135; 99/383

(Continued)

(56) **References Cited**

U.S. PATENT DOCUMENTS

701,776 A * 6/1902 Valvona A21B 5/026
99/383
1,274,349 A * 7/1918 Rateson A21B 3/13
99/439

(Continued)

FOREIGN PATENT DOCUMENTS

CN 303924401 * 11/2016

OTHER PUBLICATIONS

Bella 13906 Waffle Bowl Maker, May 5, 2013, Amazon, <https://www.amazon.com/BELLA-13906-Waffle-Bowl-Maker/dp/B00CNVTJEC> (Year: 2013).*

(Continued)

Primary Examiner — Brett Miller

(74) *Attorney, Agent, or Firm* — Ryan T. Grace; Advent, LLP

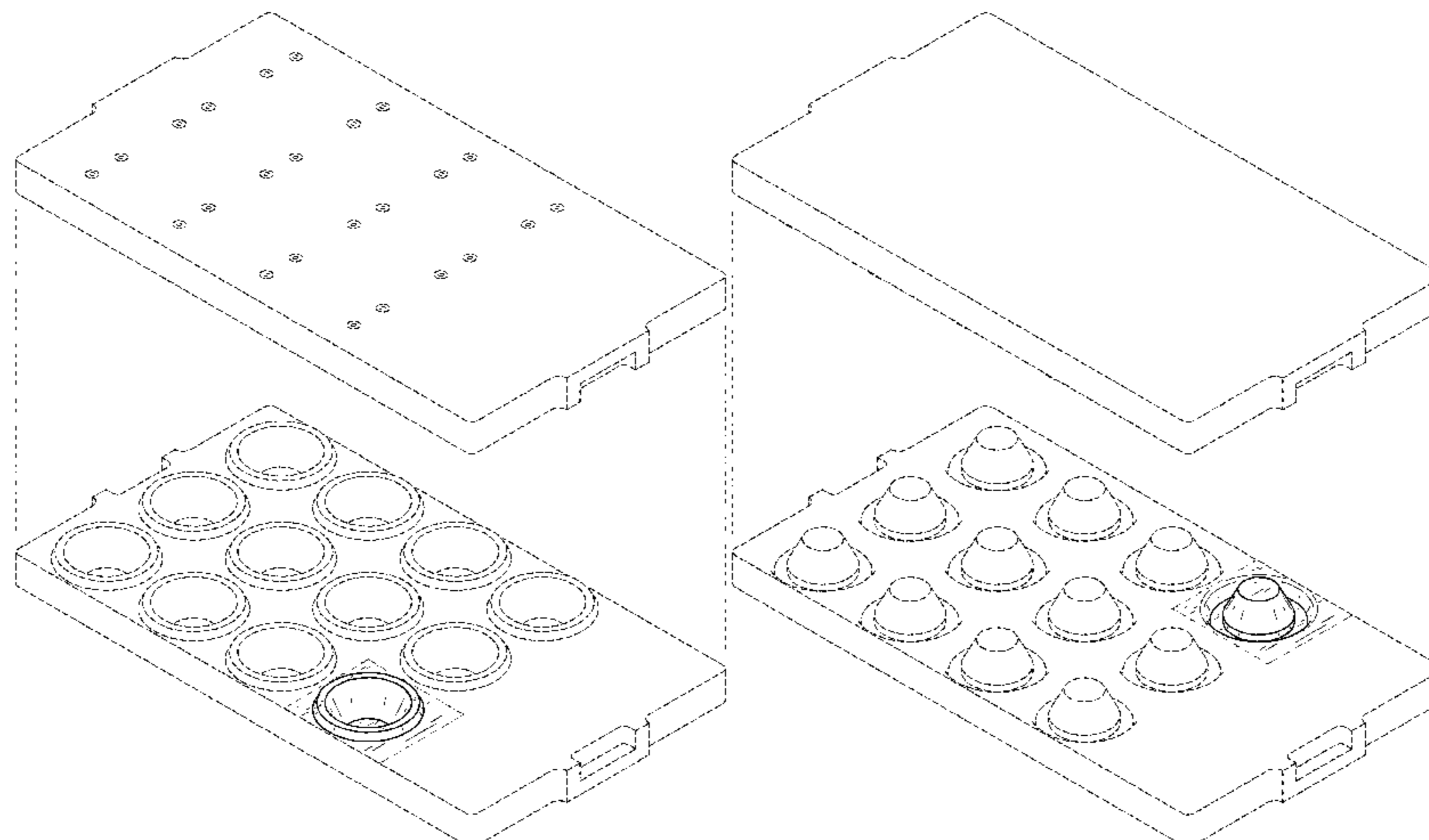
(57) **CLAIM**

The ornamental design for a shredded potato bowl press, as shown and described.

DESCRIPTION

FIG. 1 is an isometric view of a shredded potato bowl press. FIG. 2 is another isometric view of the shredded potato bowl press of FIG. 1. FIG. 3 is a partial isometric view of the shredded potato bowl press of FIG. 1. FIG. 4 is a partial top plan view of the shredded potato bowl press of FIG. 1. FIG. 5 is a partial bottom view of the shredded potato bowl press of FIG. 1. FIG. 6 is a partial left side elevation view of the shredded potato bowl press of FIG. 1. FIG. 7 is a partial right side elevation view of the shredded potato bowl press of FIG. 1. FIG. 8 is a partial front elevation view of the shredded potato bowl press of FIG. 1. FIG. 9 is a partial rear elevation view of the shredded potato bowl press of FIG. 1. FIG. 10 is a partial isometric view of a shredded potato bowl press. FIG. 11 is a partial top plan view of the shredded potato bowl press of FIG. 1. FIG. 12 is a partial bottom view of the shredded potato bowl press of FIG. 1. FIG. 13 is a partial left side elevation view of the shredded potato bowl press of FIG. 1. FIG. 14 is a partial right side elevation view of the shredded potato bowl press of FIG. 1. FIG. 15 is a partial front elevation view of the shredded potato bowl press of FIG. 1; and, FIG. 16 is a partial rear elevation view of the shredded potato bowl press of FIG. 1.

(Continued)



Portions of FIGS. 1 through 16 are shown in broken lines and dash-dot-dash boundary lines illustrating portions of the article that form no part of the claimed design.

1 Claim, 12 Drawing Sheets

(58) Field of Classification Search

CPC ... A21C 11/106; A21C 11/006; A21C 15/025;
A47J 43/20; A47J 37/0611; A23G 9/221;
A23G 9/26; A21B 5/02; A21B 5/026;
A21B 3/13; A21B 3/132

See application file for complete search history.

(56) References Cited

U.S. PATENT DOCUMENTS

1,335,484	A *	3/1920	Cressey	A21B 5/026 99/383
1,476,910	A *	12/1923	Naugle	A21B 3/132 249/122
1,663,719	A *	3/1928	Morley	A21C 11/16 426/549
1,782,088	A *	11/1930	Balton	A21B 5/026 425/346
1,977,084	A *	10/1934	Person	A47J 37/0611 99/383
2,097,356	A *	10/1937	Truesdale	A21B 3/132 D7/672
2,749,853	A *	6/1956	Seymour	A21B 5/026 99/383
3,831,507	A *	8/1974	Wheaton	A21B 3/13 D7/357
D262,430	S *	12/1981	Thelander	D7/357
4,362,497	A *	12/1982	Lifshitz	A21C 11/106 249/119
4,656,935	A *	4/1987	Kukura	A21B 3/13 249/122

5,223,286	A *	6/1993	Selbak	A21B 5/026 426/138
5,366,201	A *	11/1994	Diaz	A47J 43/20 249/117
D369,948	S *	5/1996	Tobiasz	D7/674
D481,584	S *	11/2003	Nolan	220/507
D481,905	S *	11/2003	Nolan	220/507
D486,035	S *	2/2004	Morgan	D7/354
D487,667	S *	3/2004	Morgan	D7/356
D490,269	S *	5/2004	Morgan	D7/356
6,973,872	B2 *	12/2005	Morgan	A47J 43/20 99/428
D523,707	S *	6/2006	Williams	D7/674
D574,180	S *	8/2008	Broom	D7/357
D574,181	S *	8/2008	Broom	D7/357
D604,100	S *	11/2009	Mishan	D7/409
D616,268	S *	5/2010	Kulzer	D7/701
8,381,639	B2 *	2/2013	Ewald	A47J 43/20 99/442
D749,890	S *	2/2016	Person	D7/359
D805,834	S *	12/2017	Vela de Pleitez	D7/352
D815,883	S *	4/2018	Parrish	D7/357
2012/0003363	A1 *	1/2012	Beloff	A47J 43/20 426/138
2012/0175492	A1 *	7/2012	Guiliani	A47J 43/20 249/140
2012/0201927	A1 *	8/2012	Meikle	A47J 43/20 426/62
2015/0258717	A1 *	9/2015	Seto	A21B 5/026 425/404
2015/0305349	A1 *	10/2015	Johnson	A47J 37/0611 426/138

OTHER PUBLICATIONS

Sweet Creations Bake-a-Bowl Pan, Jun. 11, 2014, Amazon, <https://www.amazon.com/Sweet-Creations-04936-Bake-a-Bowl-Pan/dp/B00LA5LPI0> (Year: 2014).*

* cited by examiner

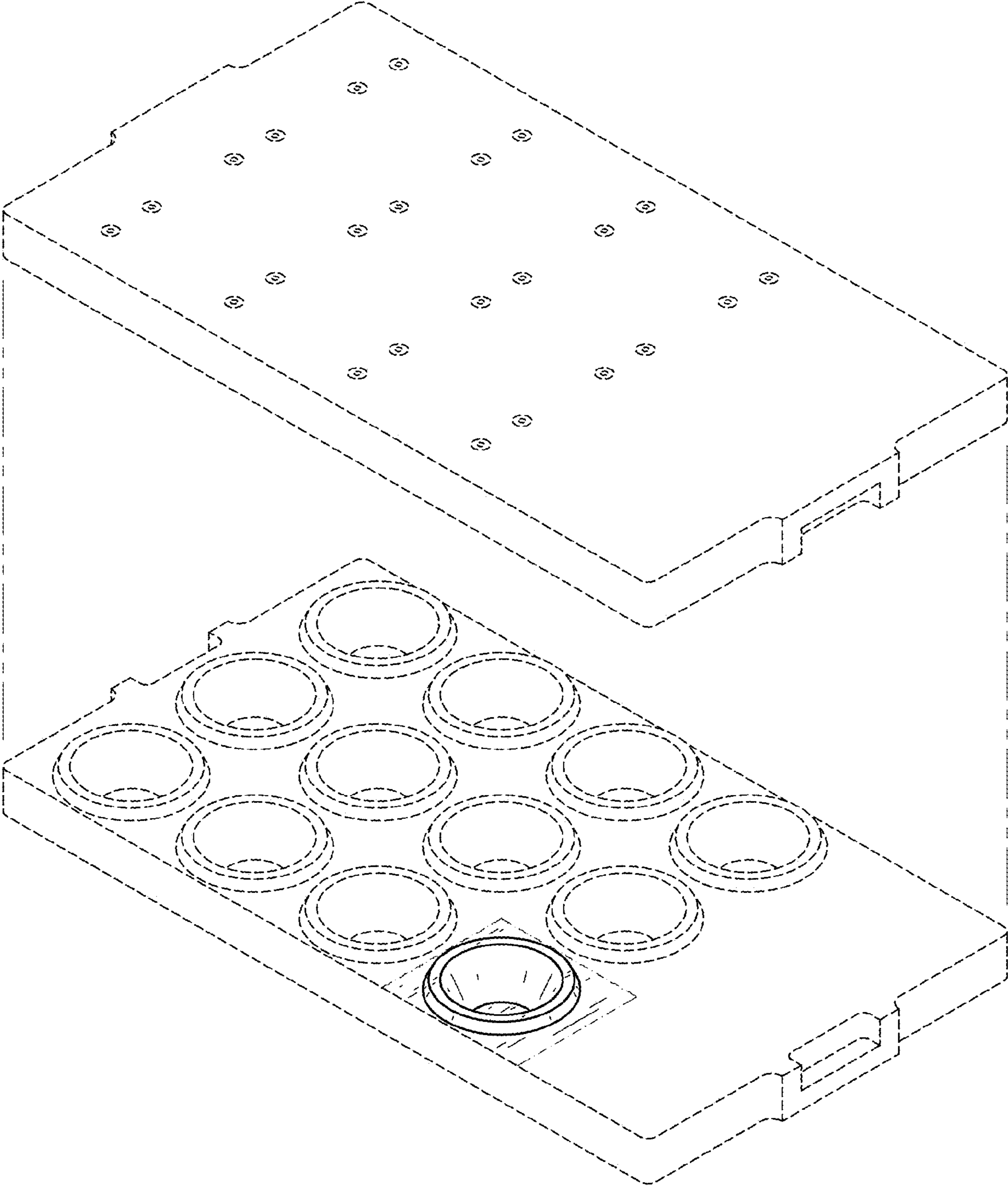


FIG. 1

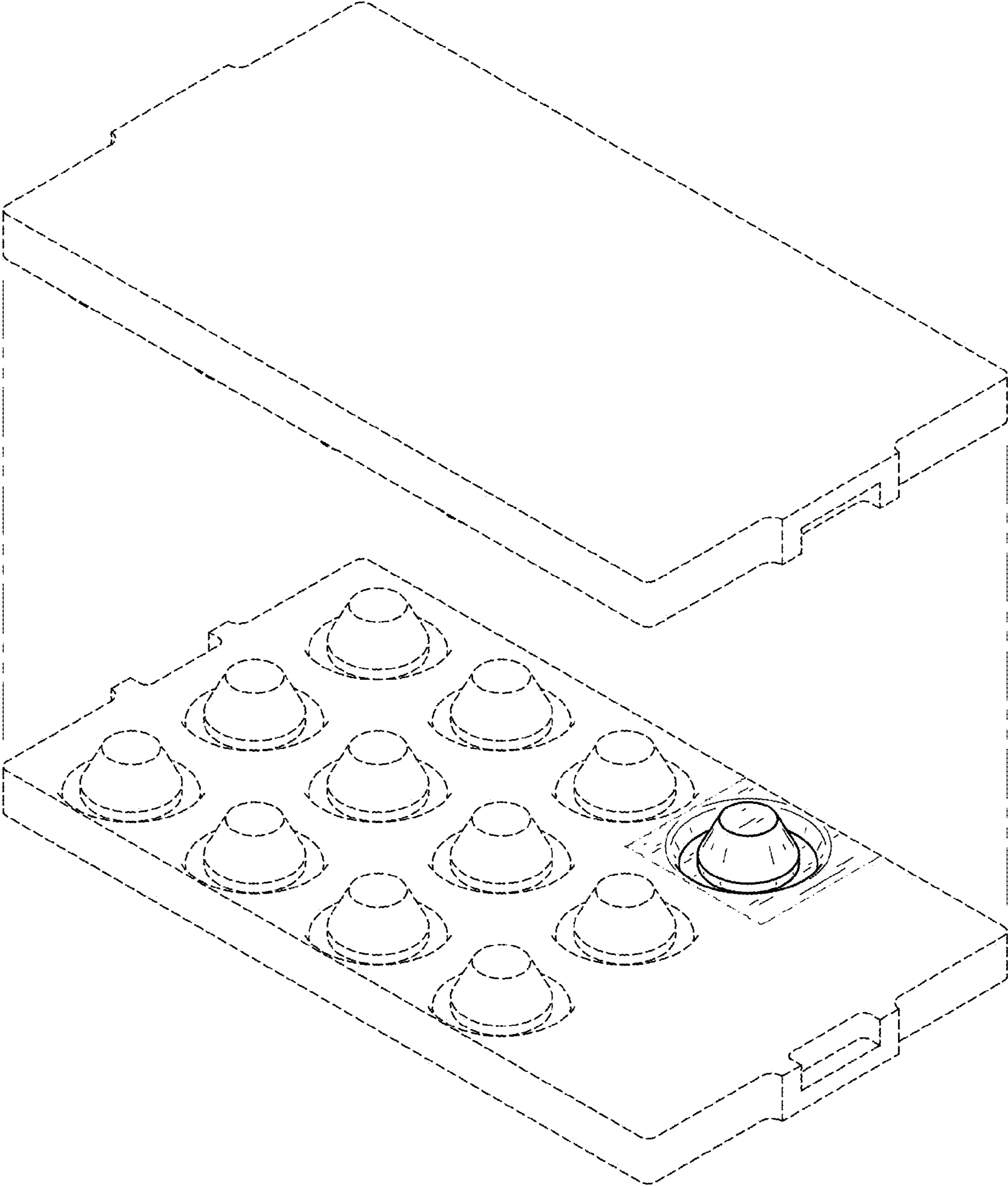


FIG. 2

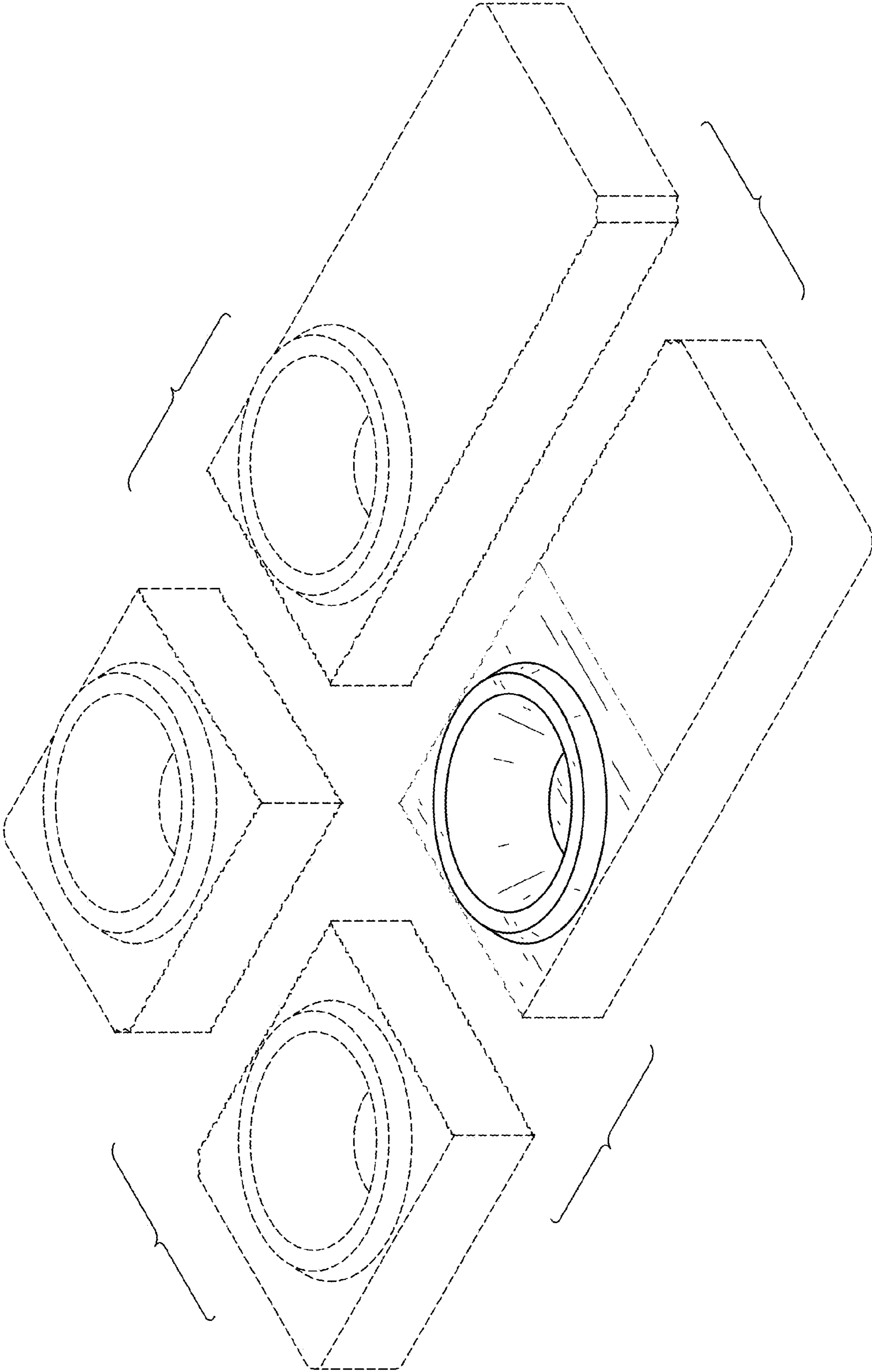


FIG. 3

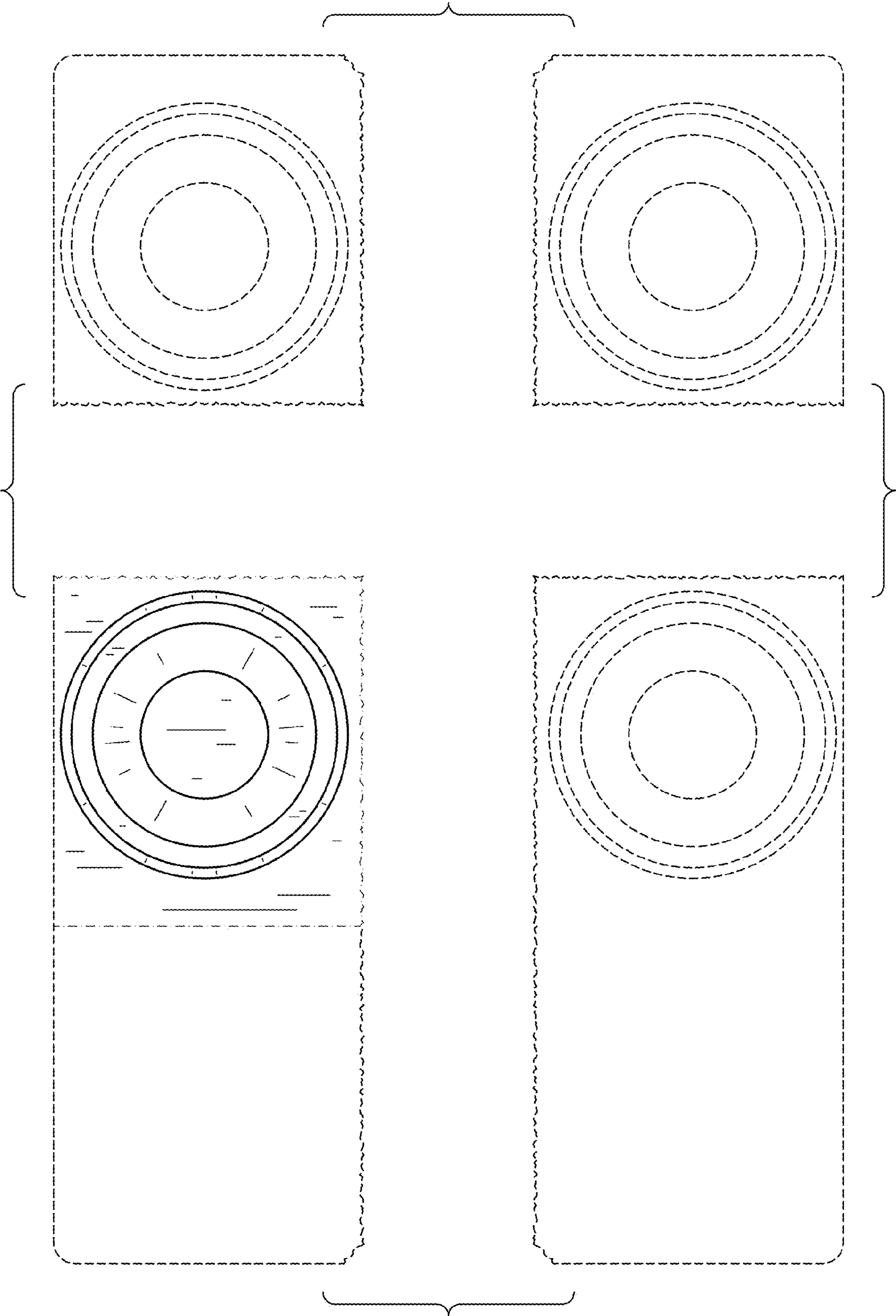


FIG. 4

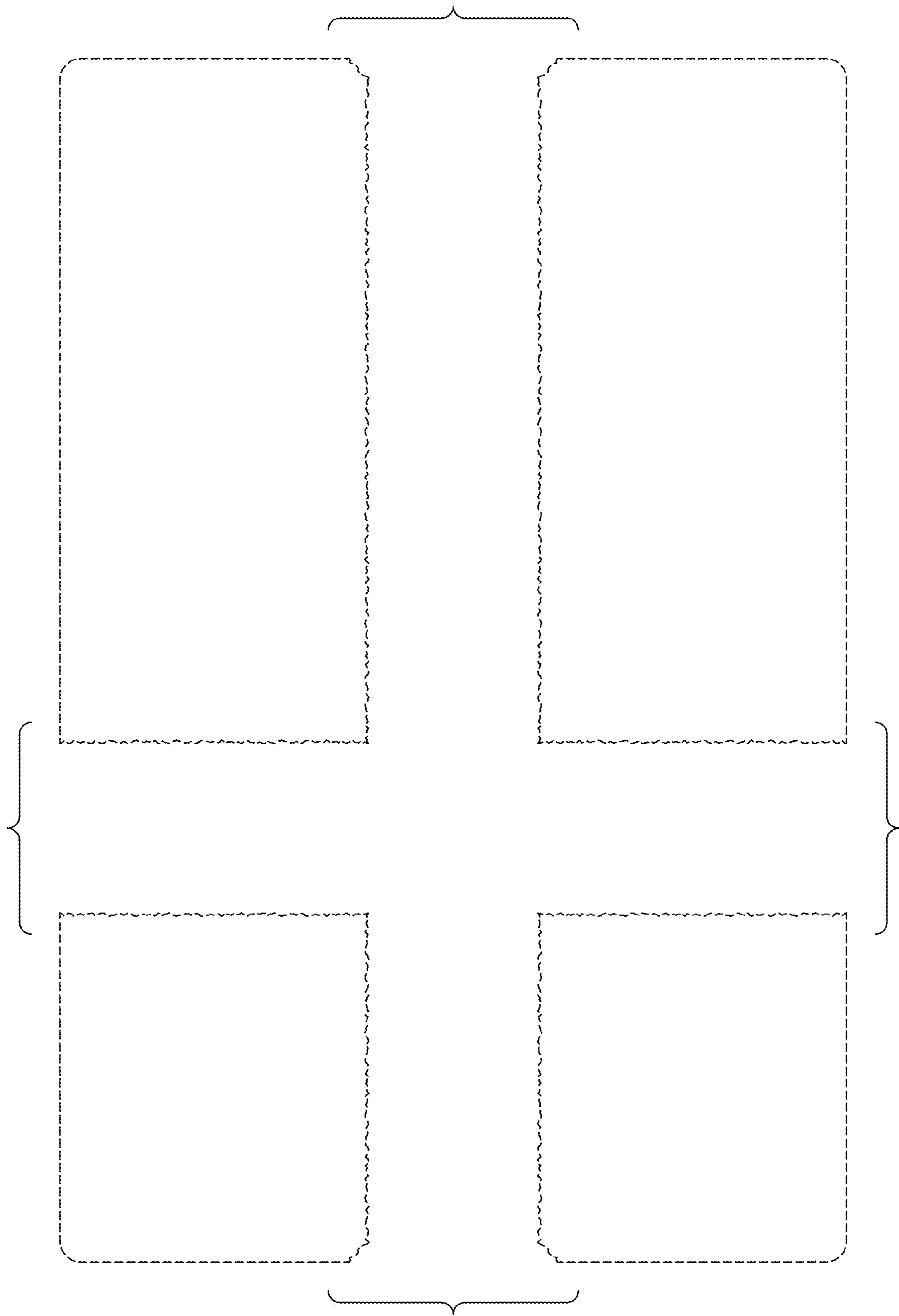


FIG. 5

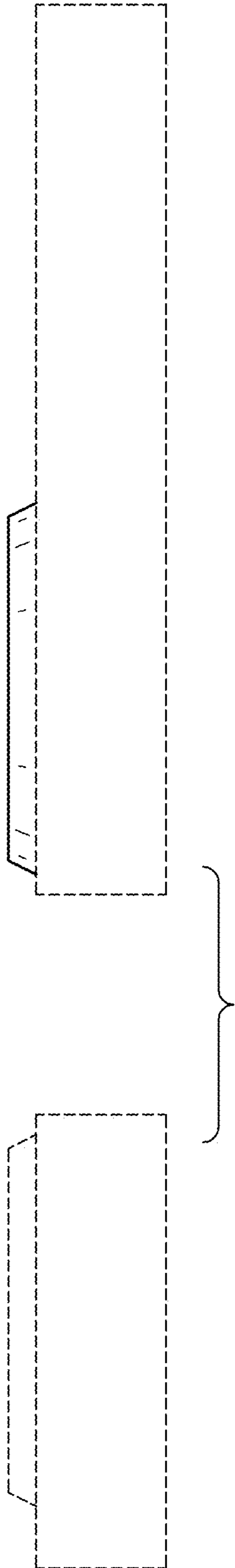


FIG. 6

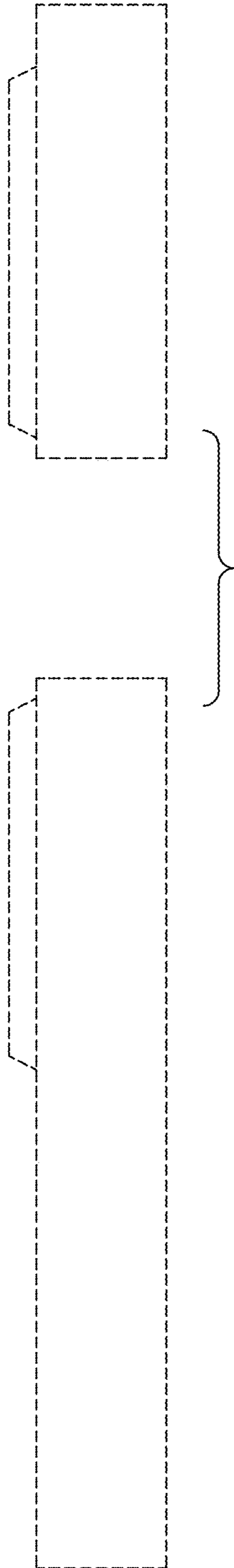


FIG. 7

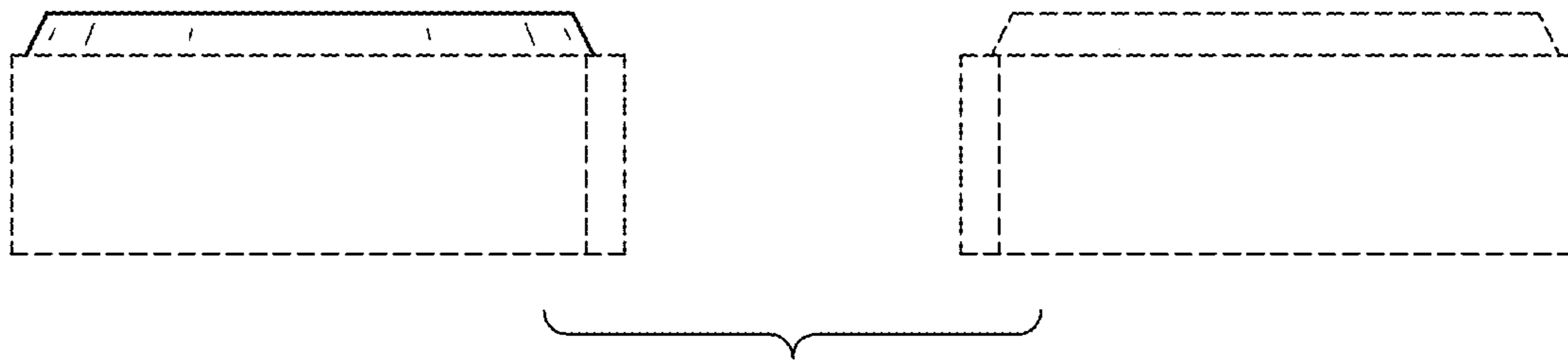


FIG. 8

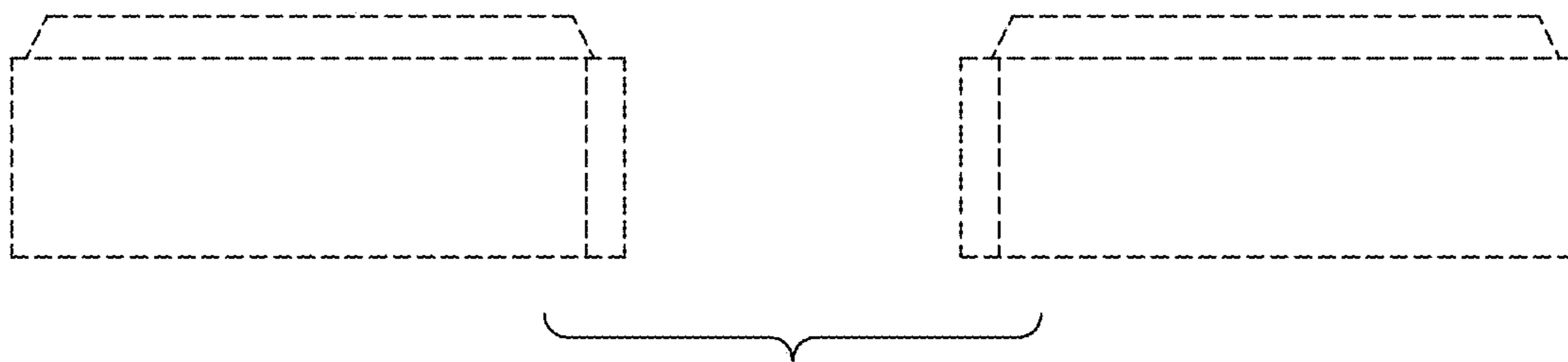


FIG. 9

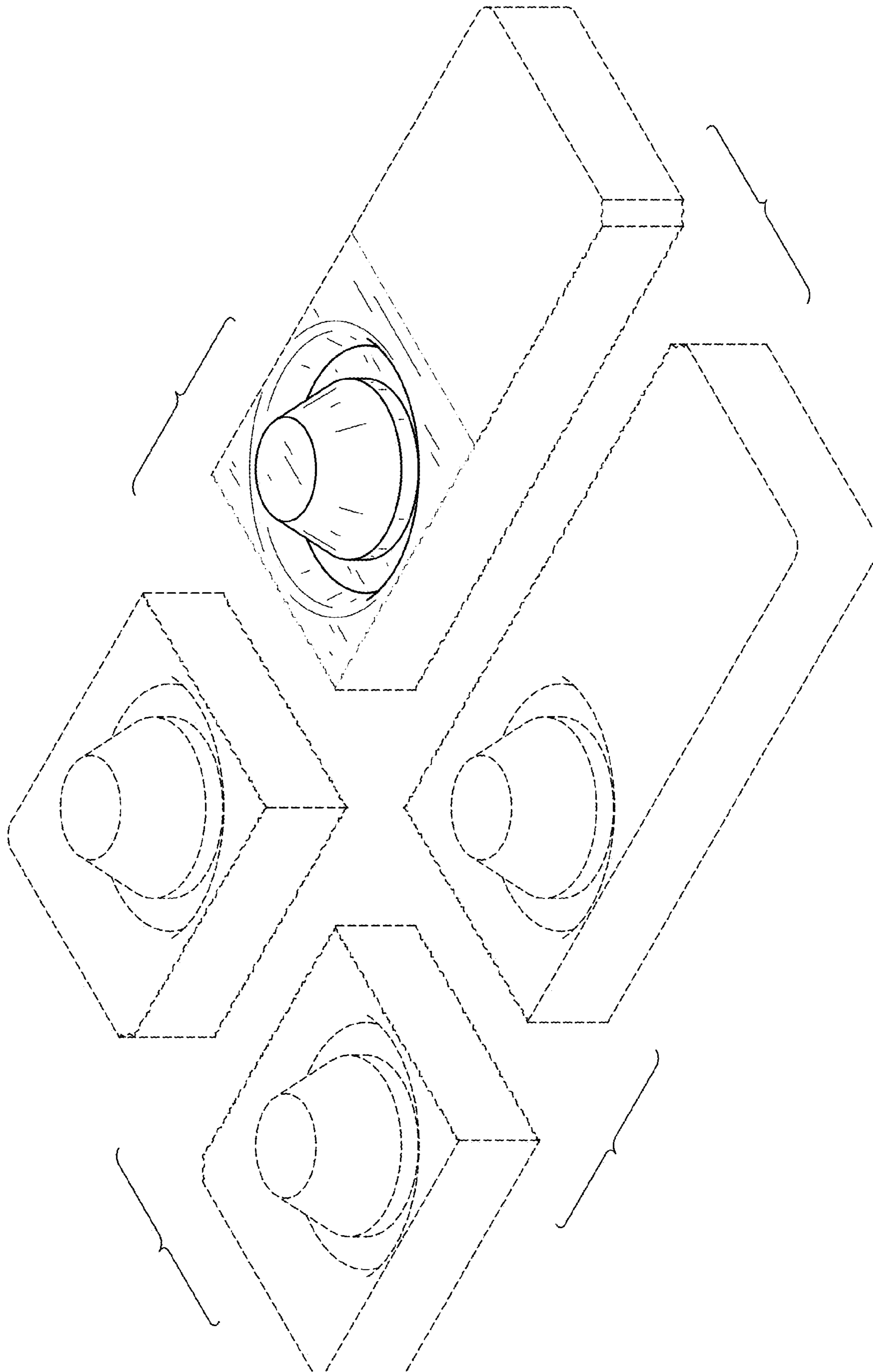


FIG. 10

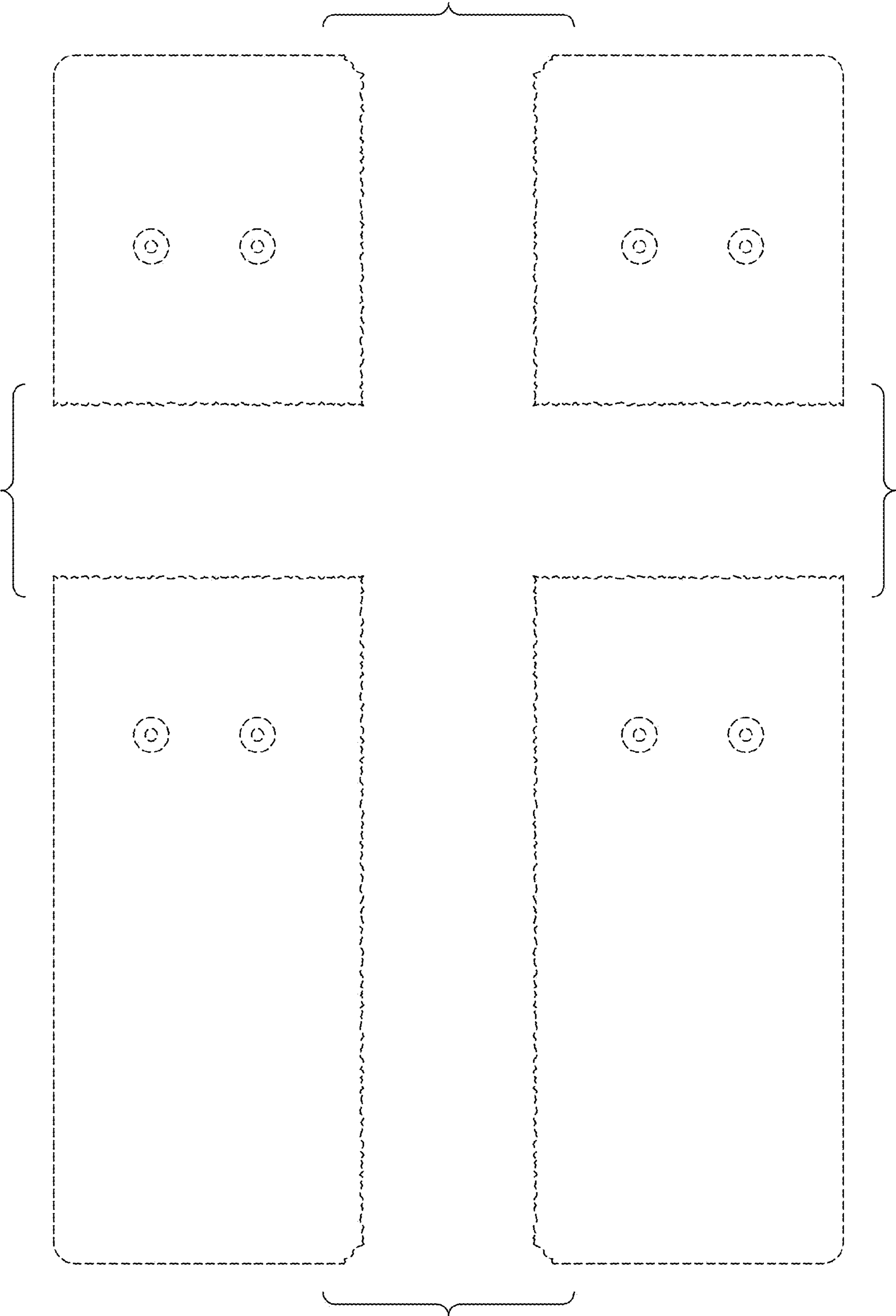


FIG. 11

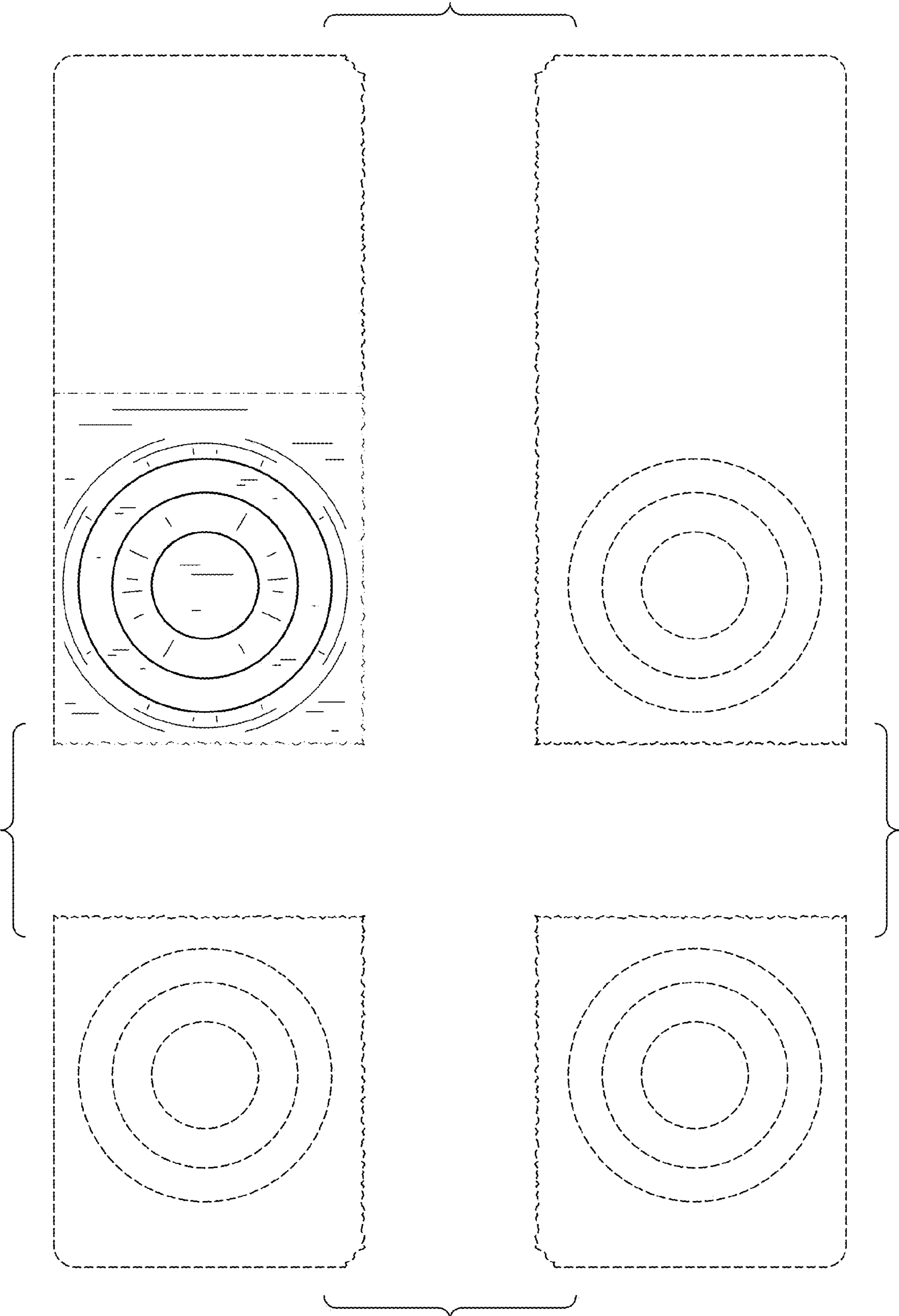


FIG. 12

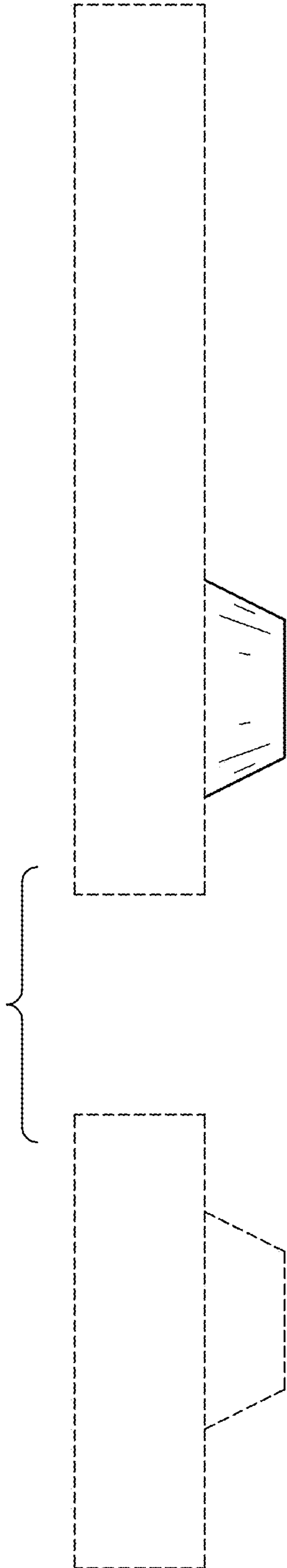


FIG. 13

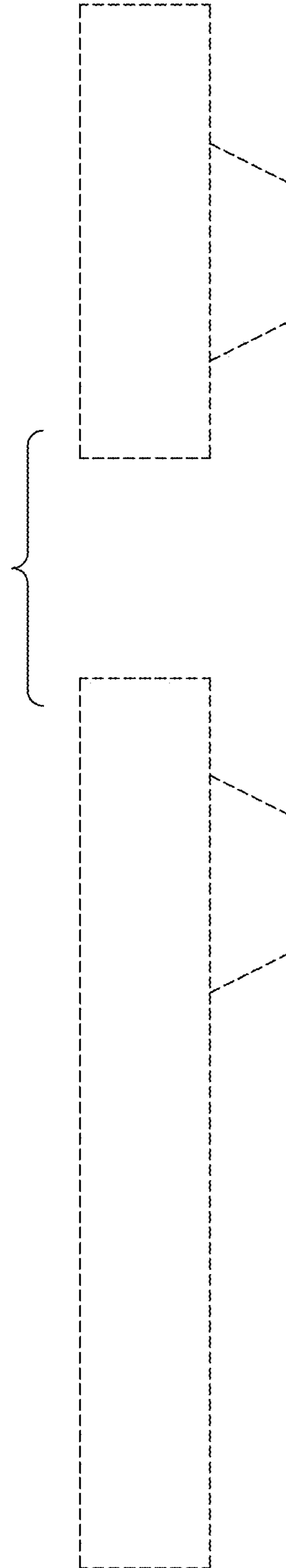


FIG. 14

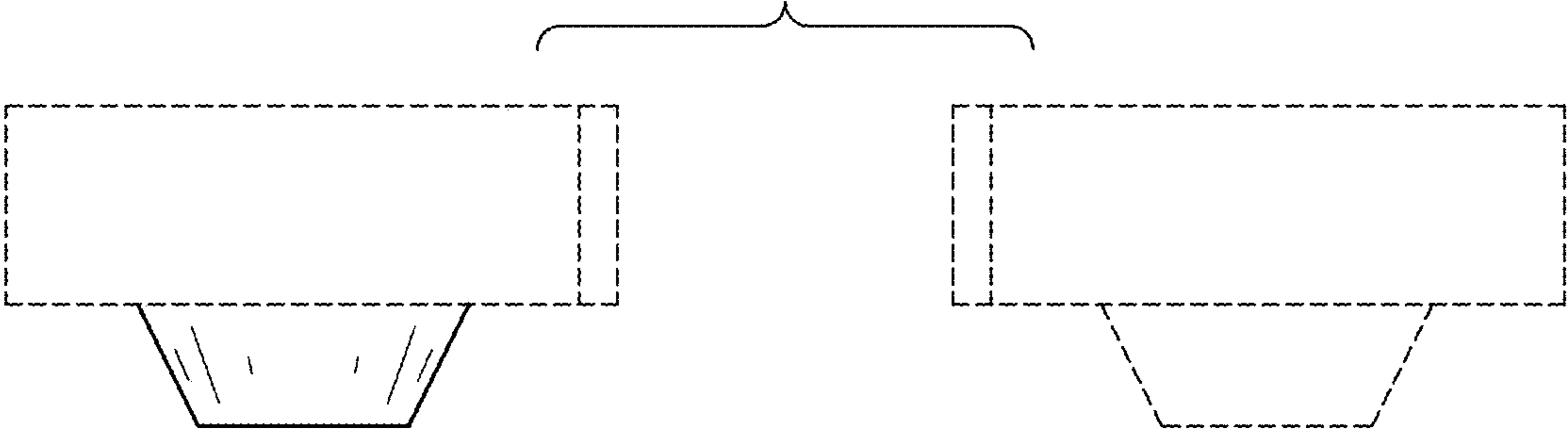


FIG. 15

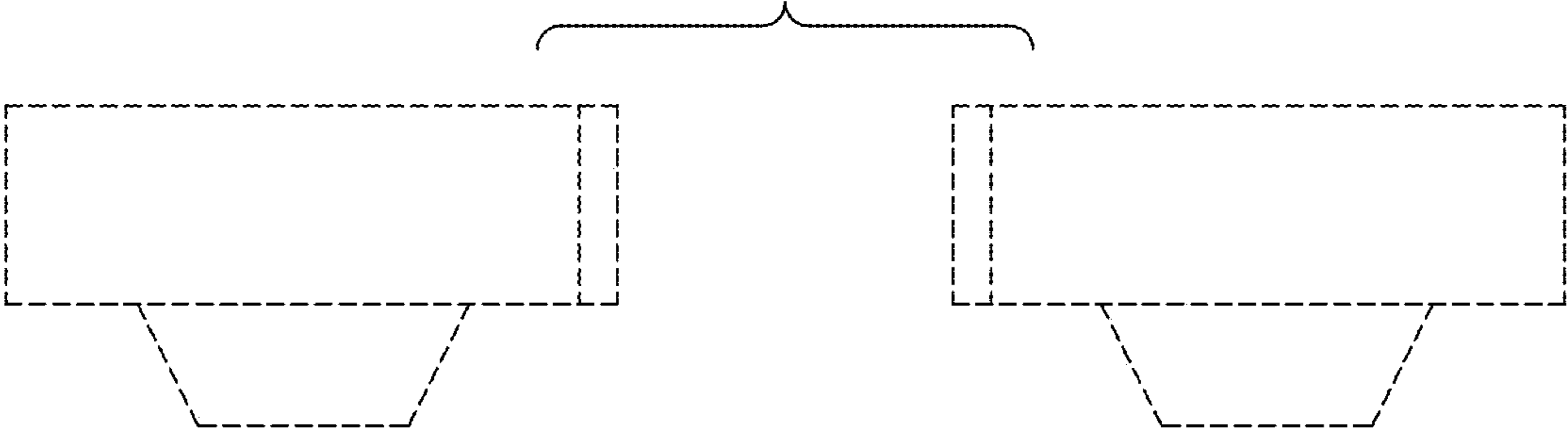


FIG. 16