



US00D941097S

(12) **United States Design Patent**
Brunner

(10) **Patent No.:** **US D941,097 S**
(45) **Date of Patent:** **** Jan. 18, 2022**

(54) **KNIFE**
(71) Applicant: **Instant Brands Holdings Inc.**,
Downers Grove, IL (US)
(72) Inventor: **Tyler J. Brunner**, Durand, WI (US)
(73) Assignee: **Instant Brands Holdings Inc.**,
Downers Grove (IL)
(**) Term: **15 Years**

5,692,308 A 12/1997 Di Libero
D448,253 S 9/2001 Staib, Jr. et al.
D527,957 S 9/2006 Ranieri
D552,429 S * 10/2007 Onion D7/649
D593,373 S * 6/2009 Epstein D7/649
D594,292 S 6/2009 Eide et al.
D611,312 S 3/2010 Eide et al.
D611,313 S 3/2010 Eide et al.
D611,314 S 3/2010 Eide et al.
D612,694 S 3/2010 Eide et al.
D617,153 S * 6/2010 Genberg D7/649
D633,345 S 3/2011 Ranieri
D639,614 S 6/2011 Krapfl et al.

(Continued)

(21) Appl. No.: **29/763,123**

(22) Filed: **Dec. 21, 2020**

(51) **LOC (13) Cl.** **07-03**

(52) **U.S. Cl.**
USPC **D7/649; D7/401.2**

(58) **Field of Classification Search**
USPC D7/393-395, 401.2, 642-664, 693, 669,
D7/675-677, 683, 688-689, 691-692;
D8/93, 97-100, 107, 300, 321;
D22/117-118
CPC A01B 1/20; A01B 1/22; A22C 25/006;
A47G 21/06; A47G 21/065; A61B
17/3211; A61B 17/3213; B21D 53/64;
B25G 3/36; B26B 1/00; B26B 1/08;
B26B 1/10; B26B 3/00; B26B 3/02;
B26B 3/03; B26B 3/04; B26B 3/06;
B26B 5/00; B26B 5/001; B26B 5/007;
B26B 7/00; B26B 7/005; B26B 9/00;
B26B 9/02; B26B 11/00; B26B 11/006;
B26B 17/00; B26B 17/006; B26B 29/02

See application file for complete search history.

(56) **References Cited**

U.S. PATENT DOCUMENTS

D27,254 S 6/1897 Barden et al.
D28,186 S 1/1898 Barden
1,822,828 A 9/1931 Stueckman
D113,026 S 1/1939 Vassos
D267,622 S 1/1983 Russell

FOREIGN PATENT DOCUMENTS

AU 2010202826 B2 4/2016
AU 2016204580 A1 9/2016

(Continued)

OTHER PUBLICATIONS

U.S. Appl. No. 29/763,128, filed Dec. 21, 2020, Brunner.

Primary Examiner — Ricky Pham

(74) *Attorney, Agent, or Firm* — Crowell & Moring LLP

(57) **CLAIM**

The ornamental design for a knife, as shown and described.

DESCRIPTION

FIG. 1 is a perspective view of a knife showing the new design;

FIG. 2 is a right side view thereof;

FIG. 3 is a left side view thereof;

FIG. 4 is a top view thereof;

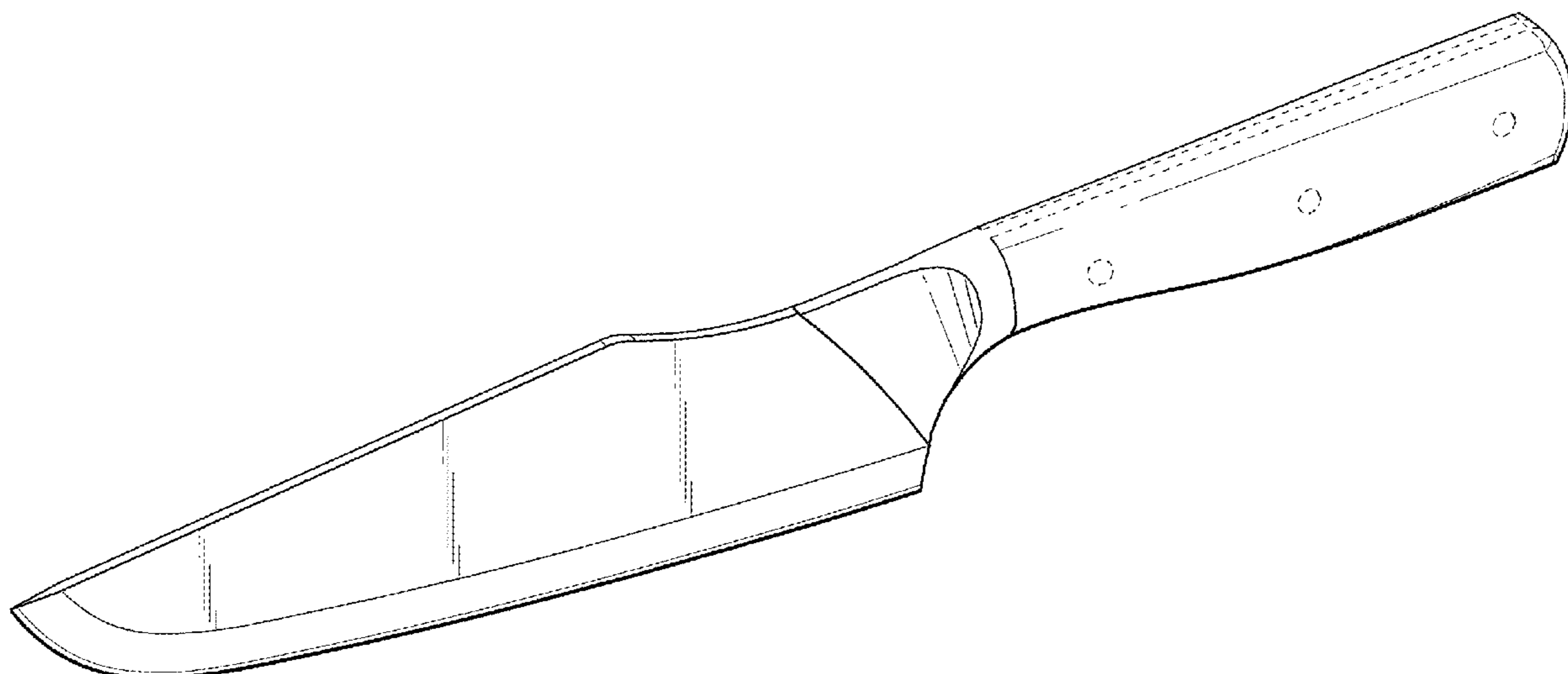
FIG. 5 is a bottom view thereof;

FIG. 6 is a front view thereof; and,

FIG. 7 is a rear view thereof.

The broken lines are for environmental purposes only and do not form any part of the claimed design.

1 Claim, 3 Drawing Sheets



(56)

References Cited

U.S. PATENT DOCUMENTS

D639,615 S 6/2011 Krapfl et al.
 D639,616 S 7/2011 Krapfl et al.
 D646,935 S 10/2011 Hatch et al.
 D648,621 S 11/2011 Ranieri et al.
 D661,181 S 6/2012 Ranieri et al.
 8,272,588 B2 9/2012 Burke et al.
 D43,729 S 3/2013 Teller
 D678,732 S 3/2013 Owens
 8,839,524 B2 9/2014 Owens
 9,132,559 B2 9/2015 Hatch et al.
 D749,916 S * 2/2016 Lessmann D7/649
 D766,672 S * 9/2016 Mishan D7/649
 9,770,126 B2 9/2017 Ludeman et al.
 D798,675 S * 10/2017 Aldous D7/650
 10,160,126 B2 12/2018 Ranieri et al.
 10,363,672 B2 7/2019 Kerulis et al.

10,383,468 B2 8/2019 Kerulis
 D890,578 S * 7/2020 Glesser D7/649
 D904,833 S * 12/2020 Singer D7/649
 D919,379 S * 5/2021 Glesser D7/649
 D925,301 S * 7/2021 Liang D7/649
 2006/0218802 A1 10/2006 Stevens
 2008/0307655 A1 12/2008 Laub

FOREIGN PATENT DOCUMENTS

CA 2719051 C 12/2014
 CA 2763669 C 8/2015
 CA 2884219 A1 9/2015
 CA 2909016 C 2/2019
 CN 106457579 A 2/2017
 DE 11 2016 000 031 T5 1/2017
 JP 2018-512286 A 5/2018
 KR 10-1942309 1/2019

* cited by examiner

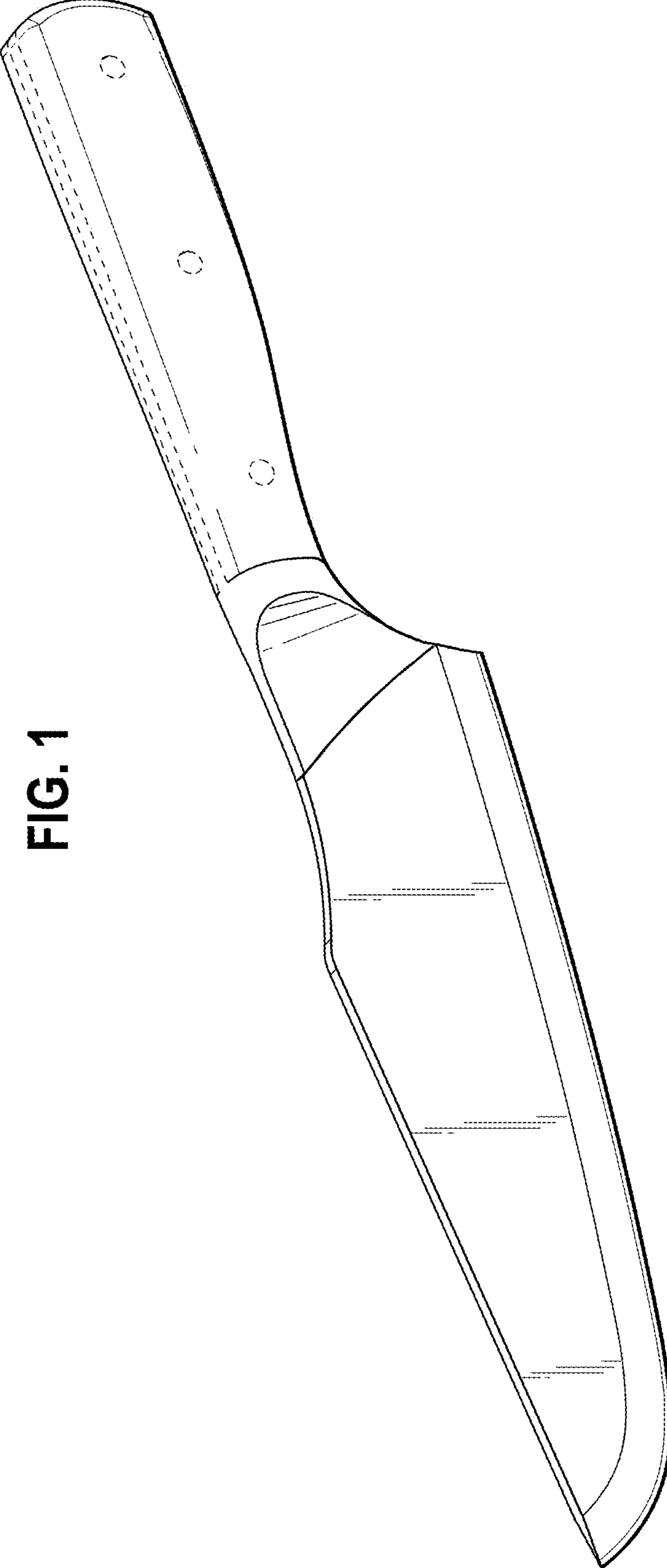


FIG. 1

FIG. 2

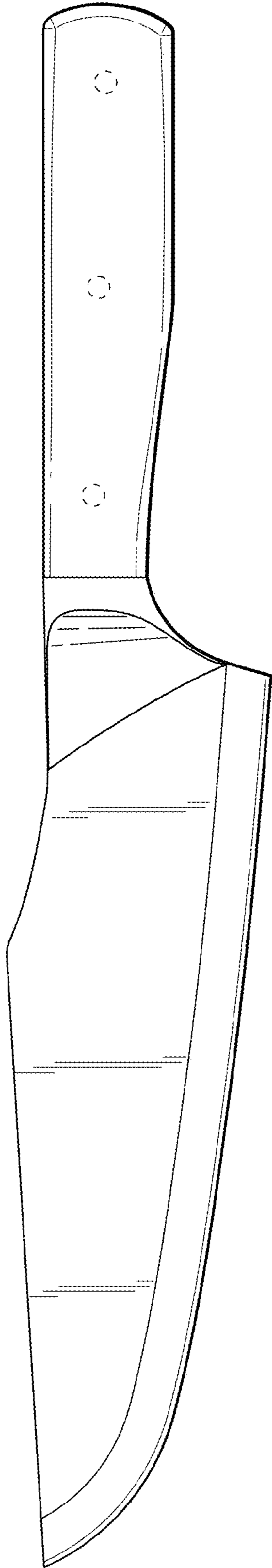


FIG. 3

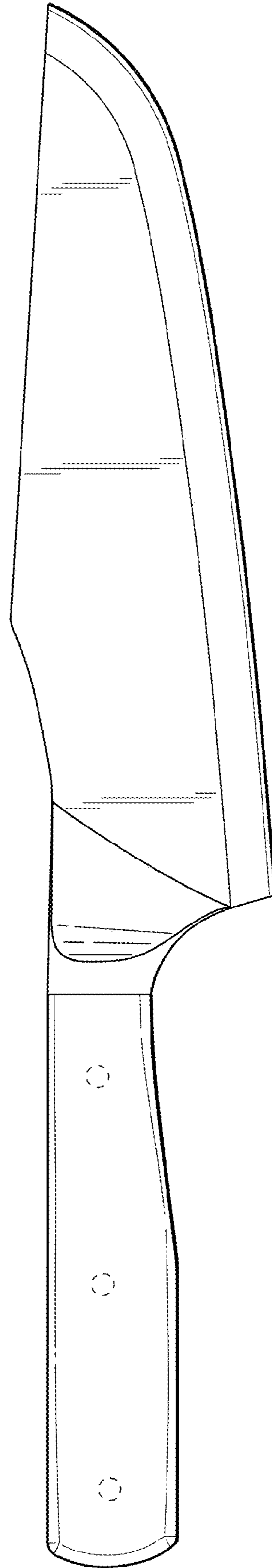


FIG. 4

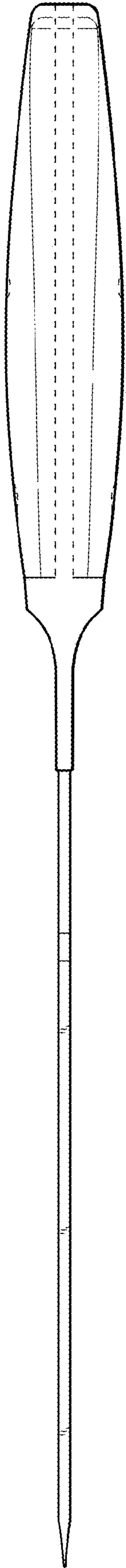


FIG. 5

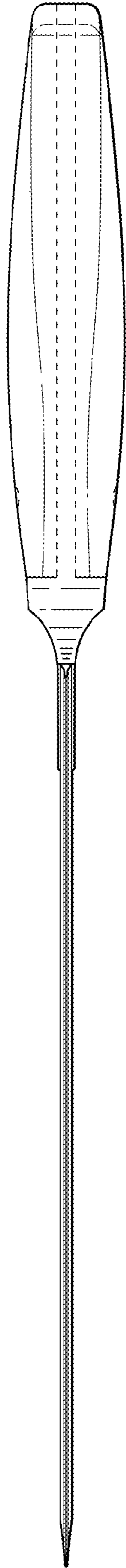


FIG. 6

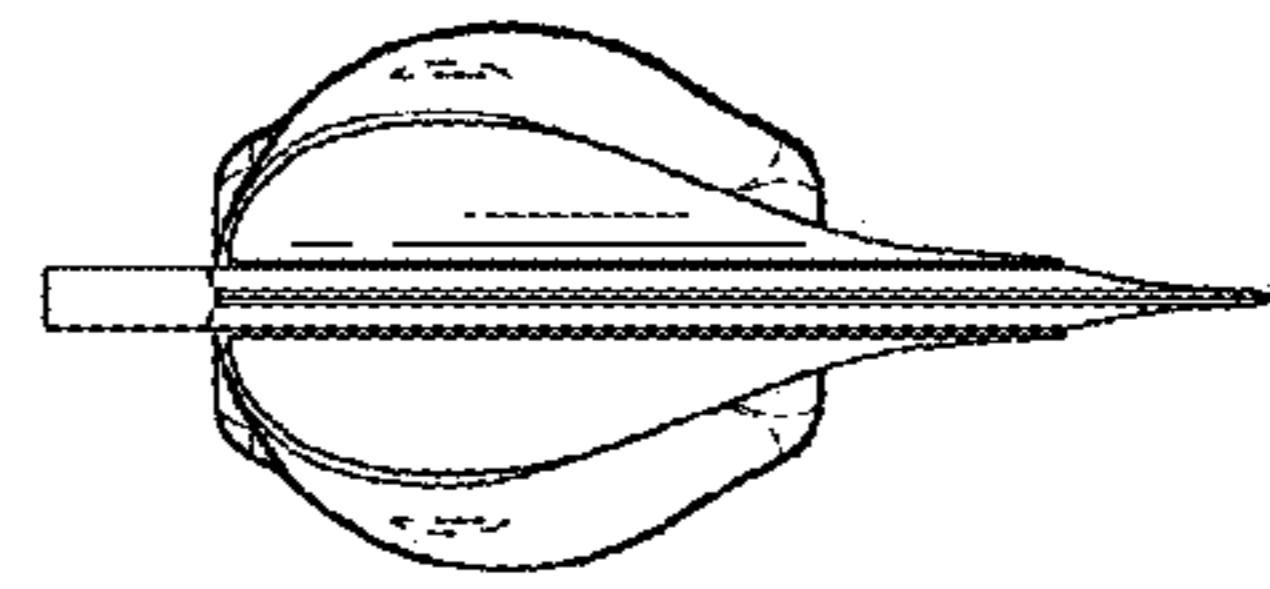


FIG. 7

