



US00D941095S

(12) **United States Design Patent**
Pontano et al.

(10) **Patent No.:** **US D941,095 S**
(45) **Date of Patent:** **** Jan. 18, 2022**

(54) **PORTABLE BOWL AND PLATE CONTAINER ASSEMBLY**

(71) Applicant: **Industrial Revolution, Inc.**, Tukwila, WA (US)

(72) Inventors: **Peter Pontano**, Seattle, WA (US);
Colin Quinn, Seattle, WA (US);
Treasure Hinds, Seattle, WA (US);
Greg Janky, Seattle, WA (US)

(73) Assignee: **Industrial Revolution, Inc.**, Tukwila, WA (US)

(**) Term: **15 Years**

(21) Appl. No.: **29/695,056**

(22) Filed: **Jun. 14, 2019**

(51) **LOC (13) Cl.** **07-01**

(52) **U.S. Cl.**
USPC **D7/538; D7/586**

(58) **Field of Classification Search**
USPC D7/584, 587, 602, 554.2, 586, 538;
D30/127; 220/574, 751, 23.4
CPC A47G 19/2205; A47G 2019/122; A47G
19/025

See application file for complete search history.

(56) **References Cited**

U.S. PATENT DOCUMENTS

D386,081 S *	11/1997	Hayes	D7/554.1
5,845,403 A	12/1998	Navin		
D549,051 S *	8/2007	Nordwall	D7/509
D603,222 S *	11/2009	Krueger	D7/538
D615,821 S *	5/2010	Stamper	D7/541
D625,180 S *	10/2010	Enriquez	D9/425
D633,339 S *	3/2011	Hart	D7/538

D644,068 S *	8/2011	Usrey	D7/538
D654,321 S *	2/2012	Garg	D7/540
D722,837 S	2/2015	Miksovsky et al.		
D753,447 S	4/2016	Busboom		
D827,382 S *	9/2018	Uzunlar	D7/538
D868,543 S *	12/2019	Carrette	D7/602
D907,444 S *	1/2021	Huang	D7/587

OTHER PUBLICATIONS

Screenshot from Industrial Revolution website, www.industrialrev.com, via Archive.org, dated Mar. 25, 2017.

Screenshot from Industrial Revolution website, www.industrialrev.com, via Archive.org, dated Sep. 2, 2017.

* cited by examiner

Primary Examiner — Cynthia R Underwood

(74) *Attorney, Agent, or Firm* — Seed Intellectual Property Law Group LLP

(57) **CLAIM**

The ornamental design for a portable bowl and plate container assembly, as shown and described.

DESCRIPTION

FIG. 1 is a top perspective view of a portable bowl and plate container assembly showing the claimed design.

FIG. 2 is a front side view thereof.

FIG. 3 is a back side view thereof.

FIG. 4 is a right side view thereof.

FIG. 5 is a left side view thereof.

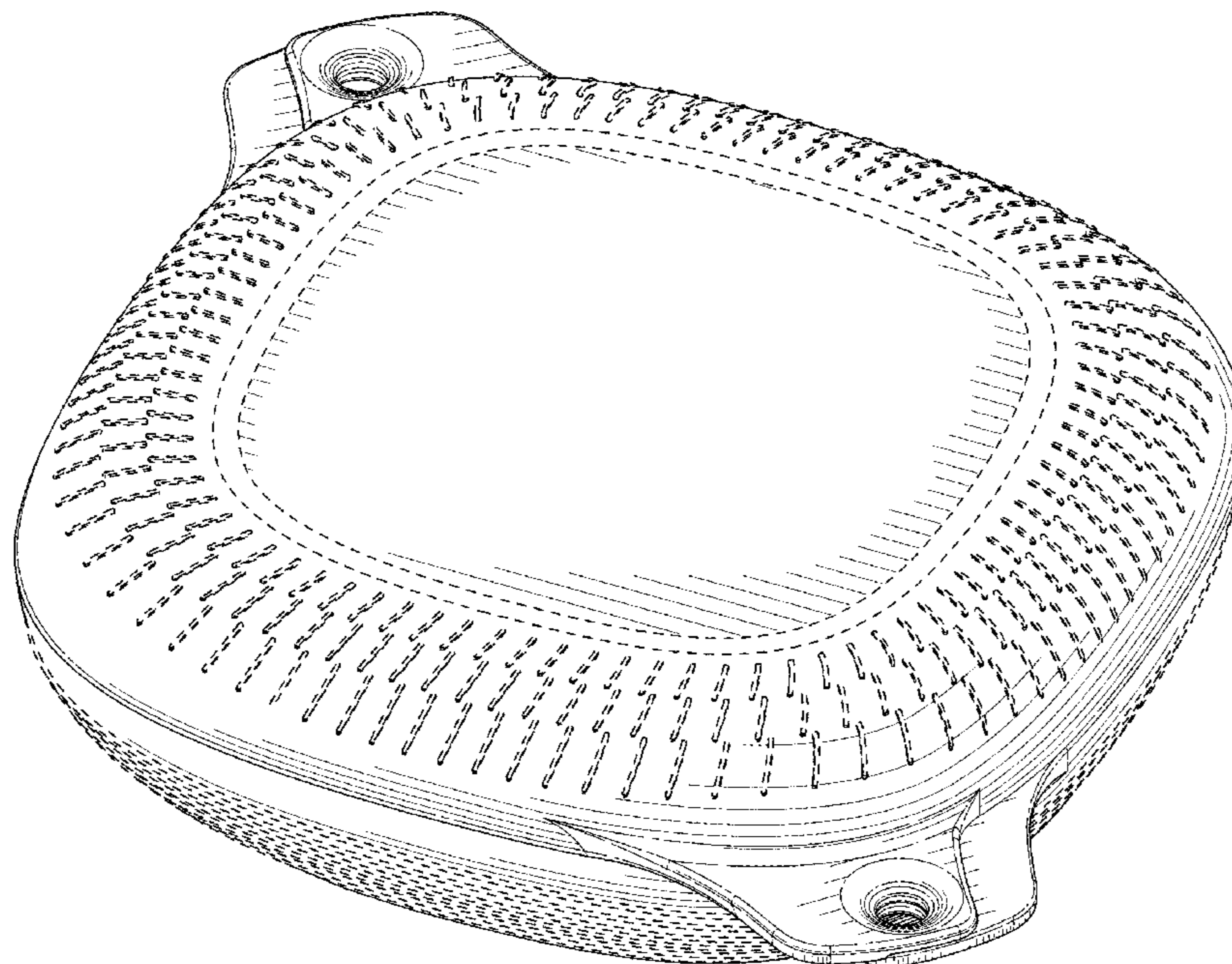
FIG. 6 is a top plan view thereof.

FIG. 7 is a bottom plan view thereof; and,

FIG. 8 is a bottom perspective view thereof.

The broken lines in the figures show portions of the portable bowl and plate container assembly that form no part of the claim.

1 Claim, 6 Drawing Sheets



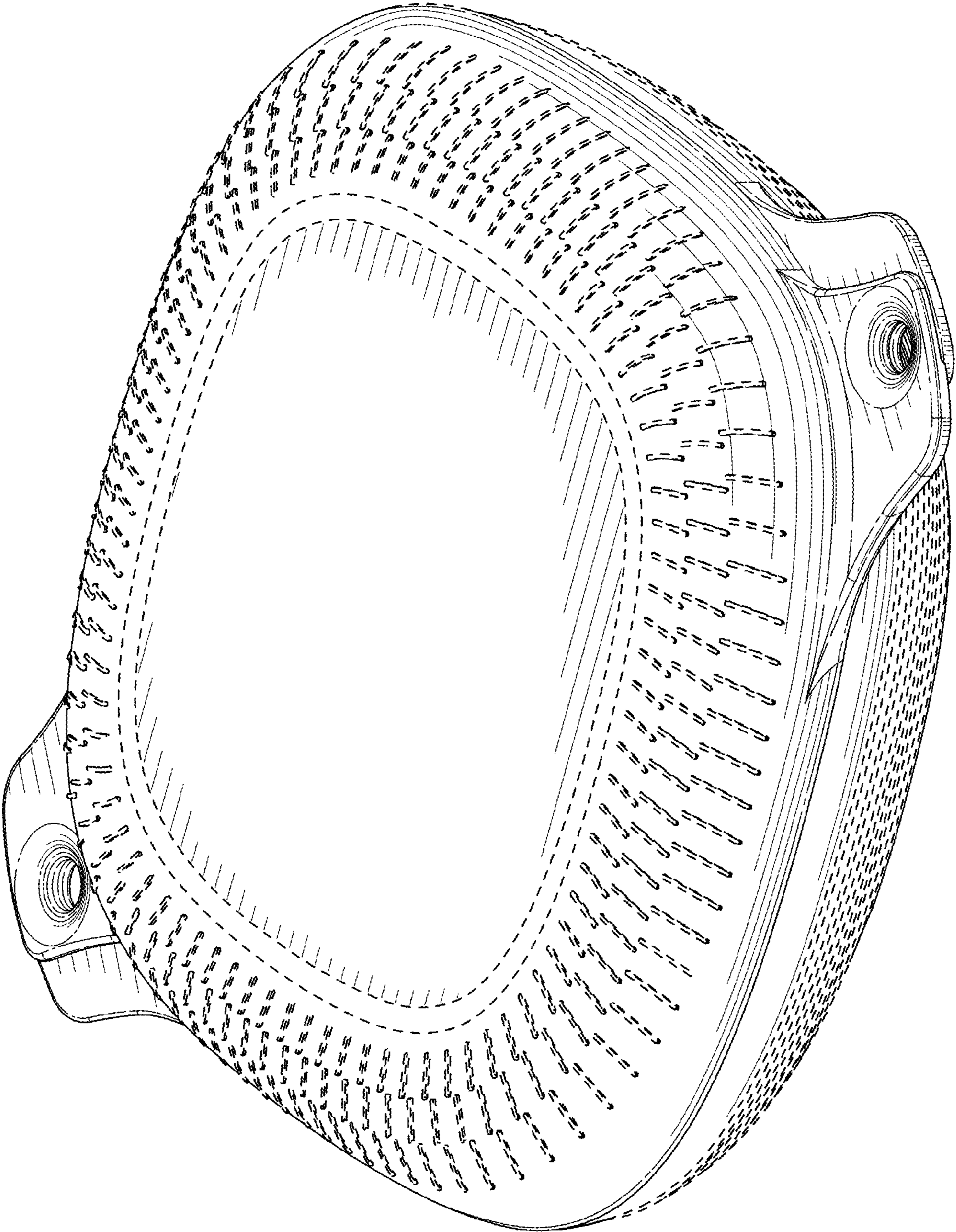


FIG. 1

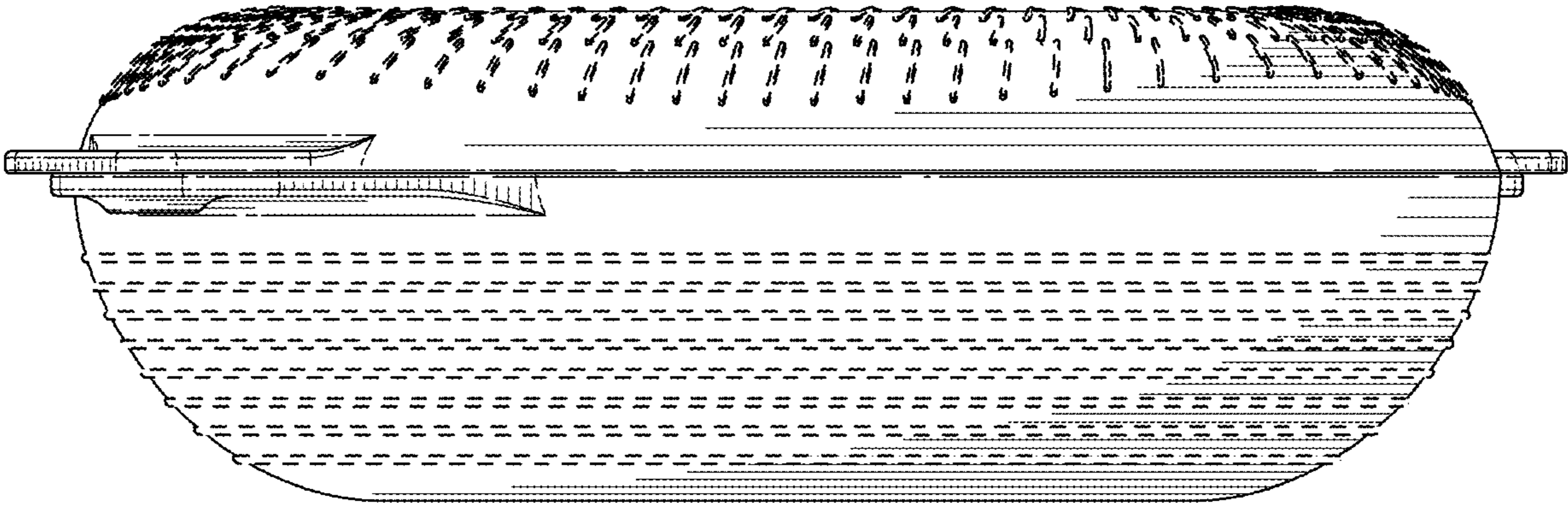


FIG. 2

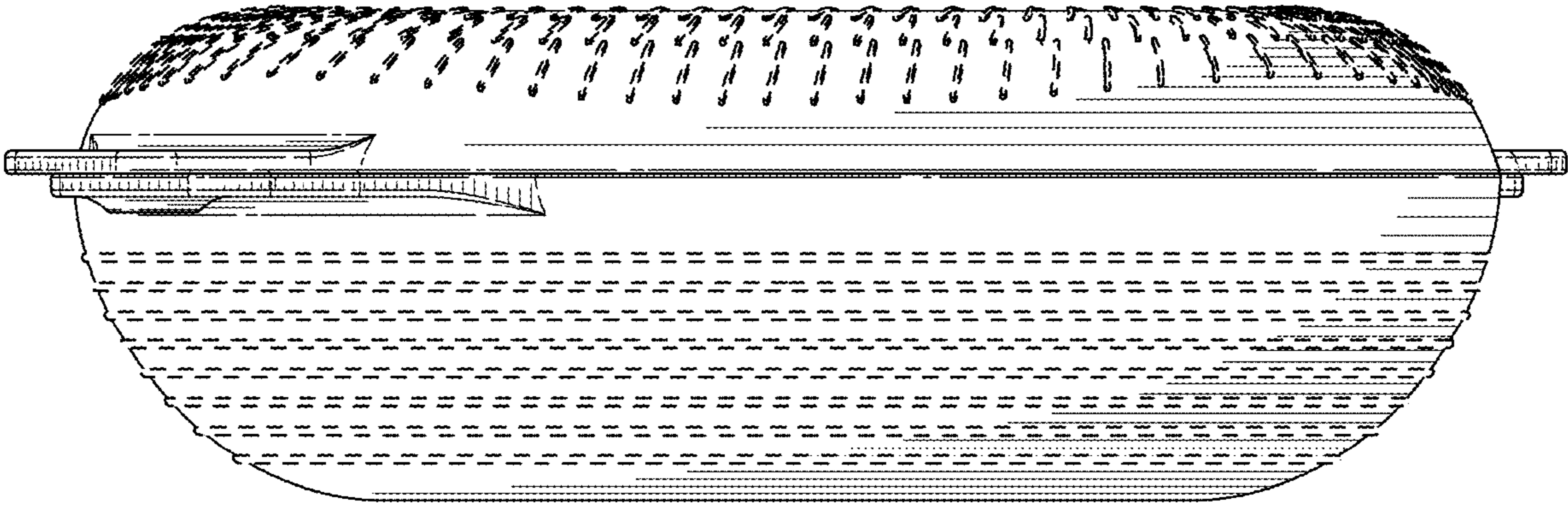


FIG. 3

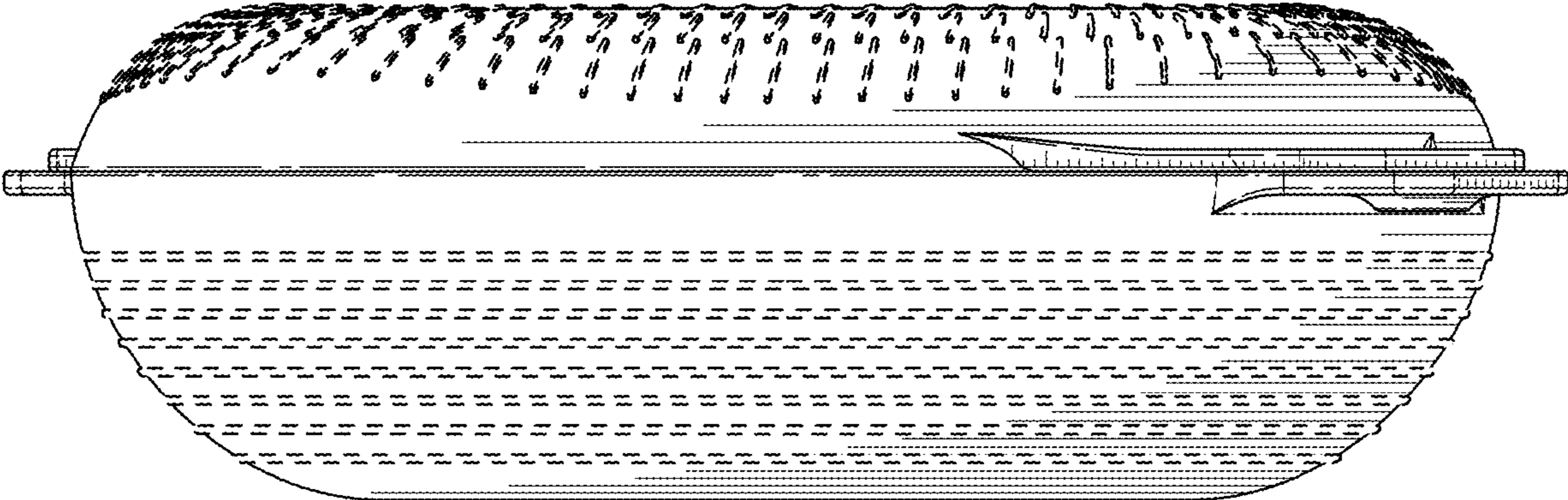


FIG. 4

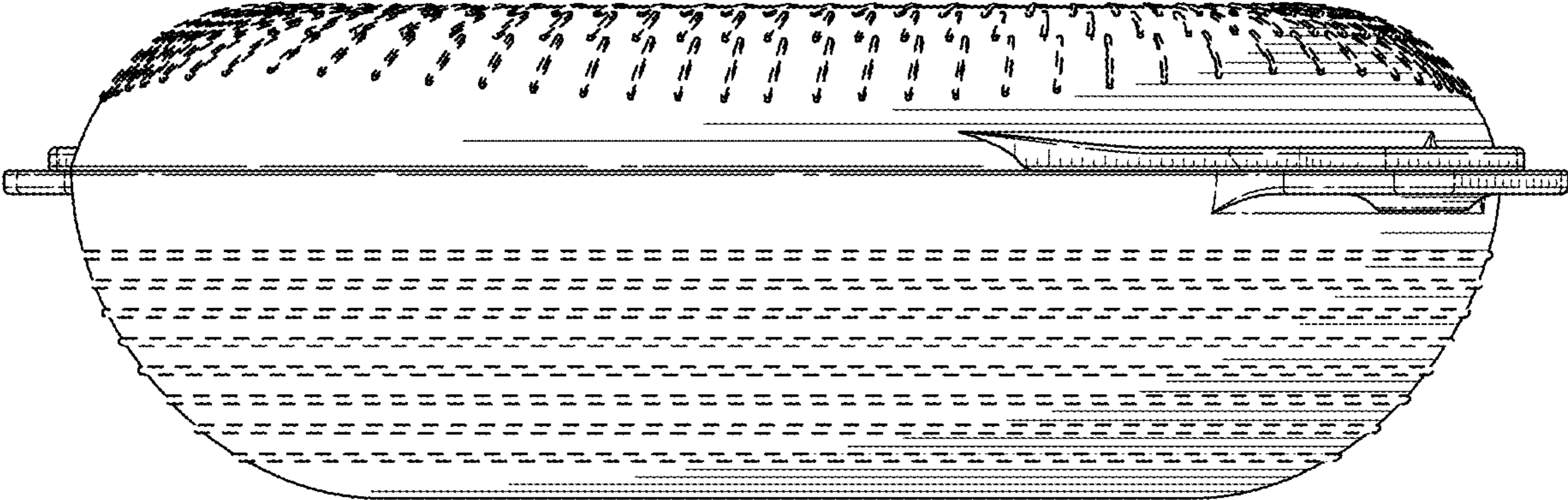


FIG. 5

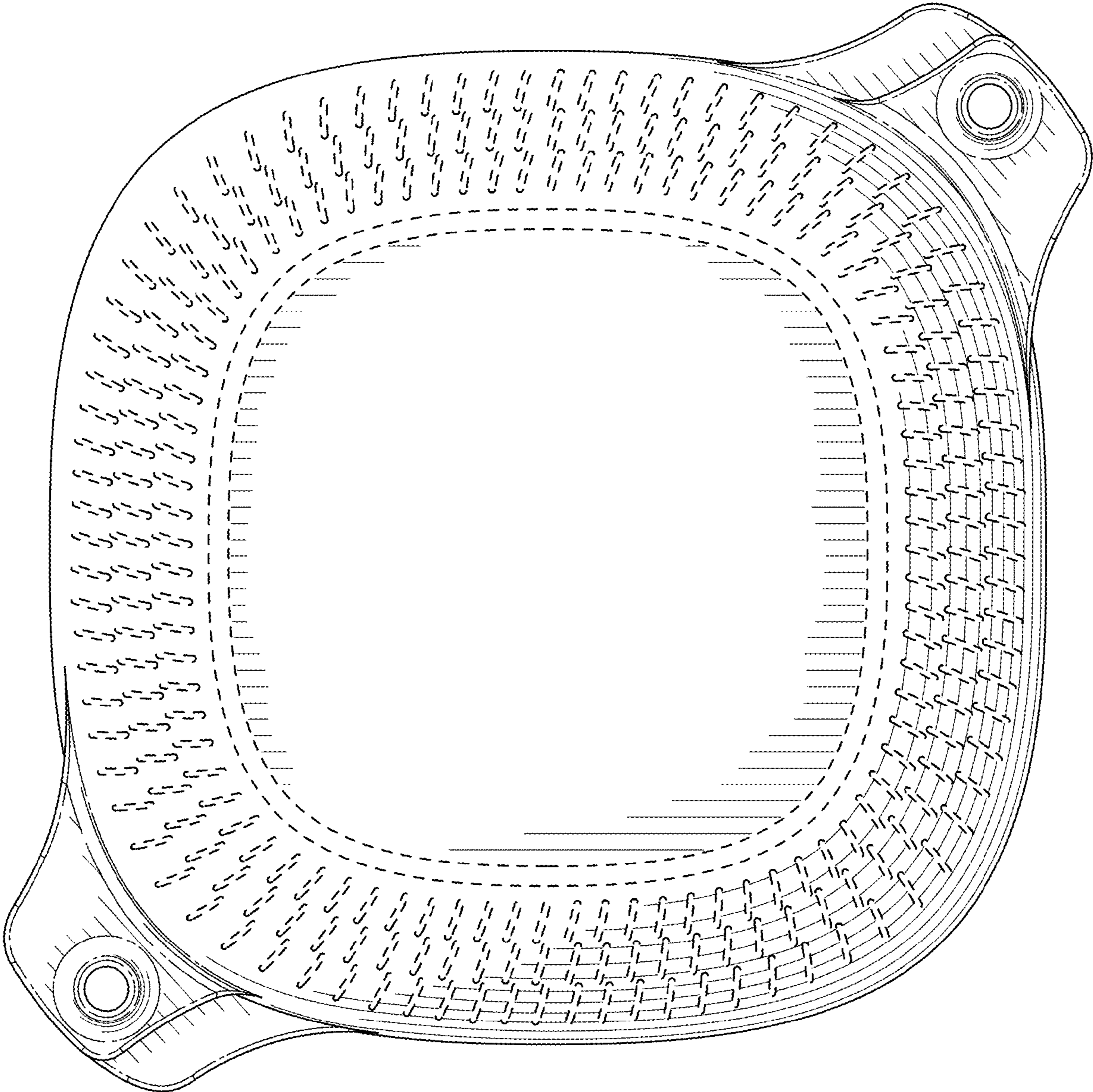


FIG. 6

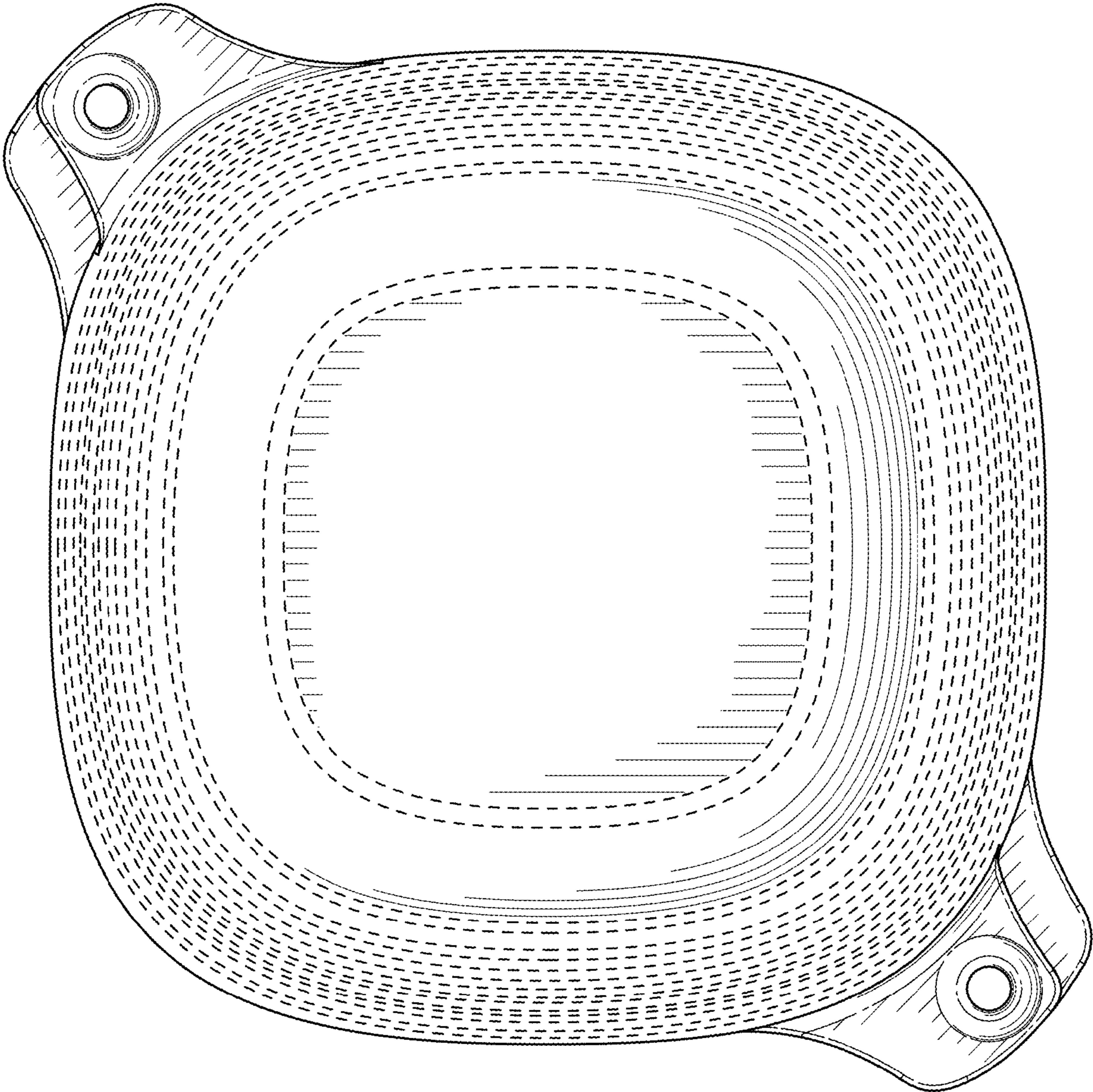


FIG. 7

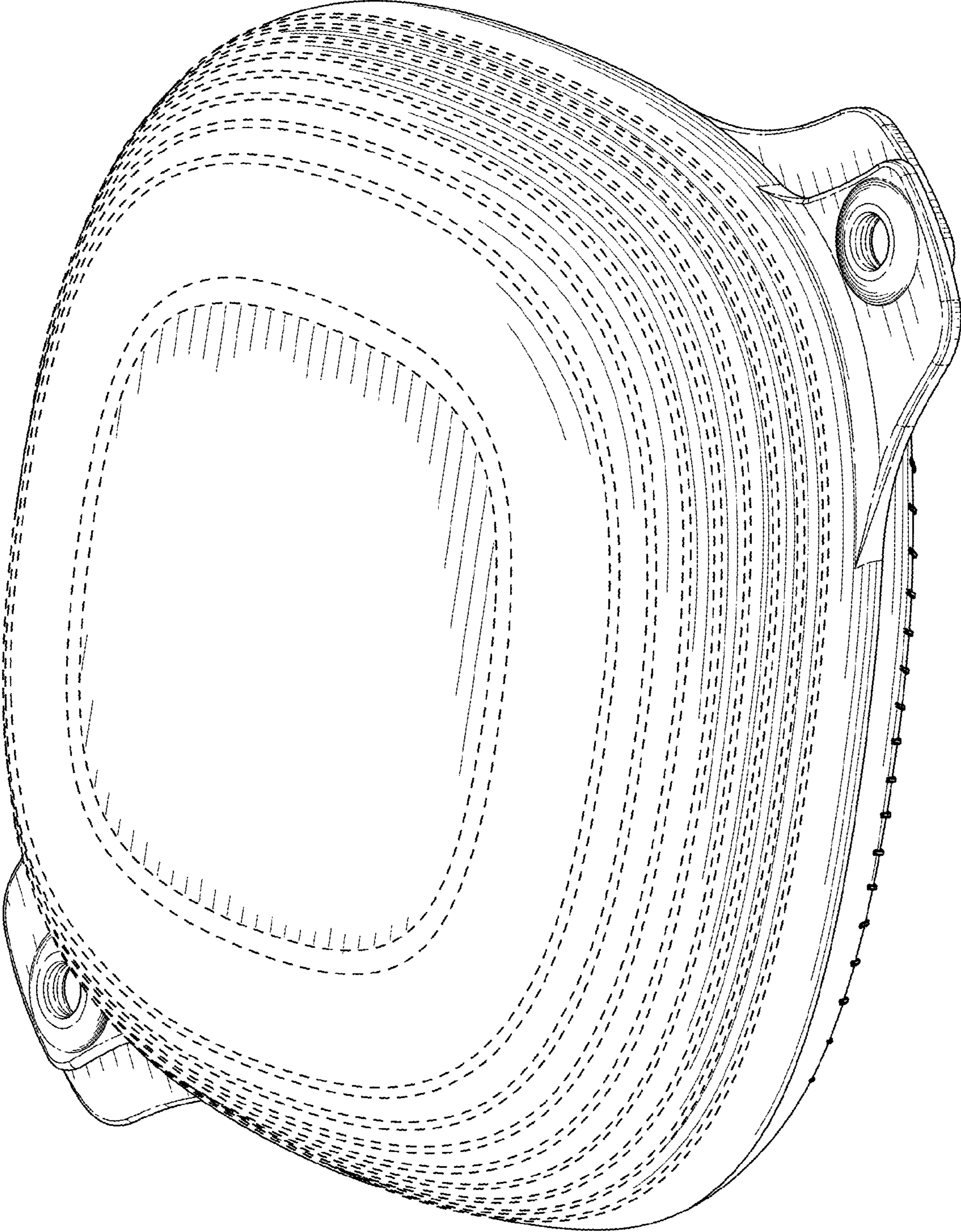


FIG. 8