



US00D941092S

(12) **United States Design Patent**
Roberts

(10) **Patent No.:** **US D941,092 S**
(45) **Date of Patent:** **** Jan. 18, 2022**

(54) **DRINKING CUP**

(71) Applicant: **James Christopher Roberts**, St Martin (JE)

(72) Inventor: **James Christopher Roberts**, St Martin (JE)

(73) Assignee: **Flashbay Electronics Hong Kong Limited**, Hong Kong (HK)

(**) Term: **15 Years**

(21) Appl. No.: **29/728,034**

(22) Filed: **Mar. 16, 2020**

(51) **LOC (13) Cl.** **07-01**

(52) **U.S. Cl.**

USPC **D7/510; D7/531; D7/529**

(58) **Field of Classification Search**

USPC D7/300.1, 510, 511, 598, 599, 600, 608, D7/515, 512, 532, 507, 509, 529, 531, D7/533, 534, 535, 536, 392.1, 296.1, D7/396.2, 396.1; D9/680; D22/112; 102/486; D29/125, 126; 220/713, 715, 220/8; D3/202; D26/9

CPC B65D 1/40; B65D 21/086; A47G 21/18; A47G 19/22; A47G 19/2288; A47G 19/2205; A45F 2003/205; A47J 41/0055; A47J 41/0022; A47J 41/0077; A47J 41/0088

See application file for complete search history.

(56) **References Cited**

U.S. PATENT DOCUMENTS

21,955 A * 11/1858 Grosholz B65D 1/265 206/218
1,264,040 A * 4/1918 Fackler B65D 21/086 220/8

(Continued)

FOREIGN PATENT DOCUMENTS

CN 3550221 * 8/2006
CN 302617408 * 10/2013

(Continued)

OTHER PUBLICATIONS

Collapsible Travel Mug [online] URL: <https://www.trendhunter.com/trends/collapsible-travel-mug> (site visited: Aug. 2021) (Year: 2013).*

(Continued)

Primary Examiner — Jae Liang

Assistant Examiner — Tia Ruth-Renee Polidori

(57) **CLAIM**

The ornamental design for a drinking cup, as shown and described.

DESCRIPTION

FIG. 1 is a top view of a drinking cup in a fully extended position.

FIG. 2 is a bottom view of a drinking cup in a fully extended position.

FIG. 3 is a front view of a drinking cup in a fully extended position.

FIG. 4 is a right side view of a drinking cup in a fully extended position, the left side view being the mirror image thereof.

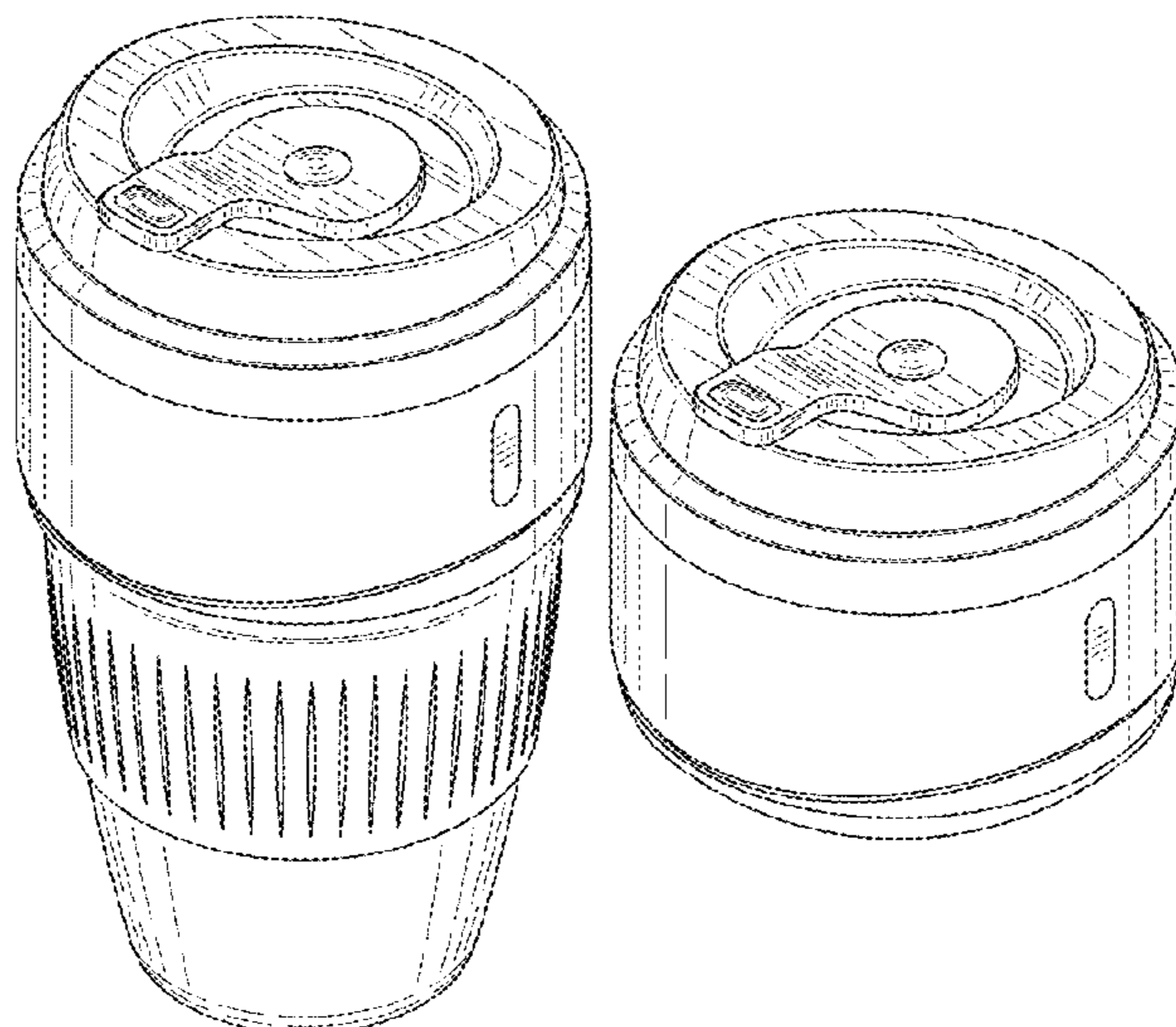
FIG. 5 is a rear view of a drinking cup in a fully extended position.

FIG. 6 is a right side view of a drinking cup in a fully collapsed position, the left side view being the mirror image thereof.

FIG. 7 is a front, top, right side perspective view of a drinking cup in a fully extended position; and, FIG. 8 is a front, top, right side perspective view of a drinking cup in a fully collapsed position.

The portions of a drinking cup shown in broken lines form no part of the claimed design.

1 Claim, 2 Drawing Sheets



(56)

References Cited

FOREIGN PATENT DOCUMENTS

U.S. PATENT DOCUMENTS

2,893,167 A * 7/1959 Davidson A01G 9/02
47/73
3,301,457 A * 1/1967 Millian B65D 21/086
229/101
5,549,213 A * 8/1996 Robbins, III B65D 43/0212
220/8
6,382,449 B1 * 5/2002 Kazmierski B65D 3/14
220/4.03
D747,925 S * 1/2016 Engler D7/512
D895,919 S * 9/2020 Stravitz D34/7
D899,192 S * 10/2020 Yu D7/512
11,026,527 B2 * 6/2021 Tsui A45F 3/20
D933,423 S * 10/2021 Ames D7/510
11,155,383 B2 * 10/2021 Brooks B65D 81/3865
2011/0248037 A1 * 10/2011 Fung B65D 81/3869
220/592.2
2011/0284547 A1 * 11/2011 McElligott A45F 3/20
220/495.03
2012/0205371 A1 * 8/2012 Lee B65D 47/286
220/8
2013/0140211 A1 * 6/2013 Robbins, III B65D 11/20
206/517
2013/0140305 A1 * 6/2013 Hollis B65D 33/02
220/4.28
2013/0264340 A1 * 10/2013 Zens B65B 1/02
220/8
2015/0291309 A1 * 10/2015 McGregor A47J 33/00
220/573.1
2019/0216245 A1 * 7/2019 Choi B65D 81/38
2020/0305584 A1 * 10/2020 Tuan A47G 19/00
2020/0305619 A1 * 10/2020 Tsui A47G 19/22

CN 305030935 * 2/2019
CN 305079225 * 3/2019
CN 305354387 * 9/2019
CN 305615880 * 2/2020
CN 305629873 * 2/2020
CN 305857263 * 6/2020
CN 306089986 * 10/2020
CN 306668282 * 7/2021
EM 007094115-0001 * 11/2019
GB 4038300 * 1/2015
GB 6062671 * 6/2019
GB 6064623 * 7/2019
GB 9007094115-0001 * 10/2019

OTHER PUBLICATIONS

Folding Cup [online] URL: <https://www.youtube.com/watch?v=nLZwN2yE64Y> (site visited: Aug. 2021) (Year: 2018).*

Yeeblin Collapsible Drinking Cups, Mui . . . [online] URL: https://www.vulcanyref.top/index.php?main_page=product_info&products_id=707099 (site visited: Aug. 2021) (Year: 2020).*

TripsGeo Collapsible Cup— . . . [online] URL: <https://www.amazon.com/TripsGeo-Multipurpose-Collapsible-Cup-Go/dp/B0842XWZ5X> (site visited: Aug. 2021) (Year: 2020).*

HUNU Leakproof Pocket Cup C . . . [online] URL: <https://www.amazon.com/dp/B088RM39DB?tag=romanceun-20&linkCode=osi&th=1&pvc=1&keywords=Collapsible%20Thermos> (site visited: Aug. 2021) (Year: 2020).*

Collapsible Silicone Travel . . . up, Grey, 13.9 fl [online] URL: <https://www.amazon.com/Collapsible-Silicone-Lip%EF%BC%8CFoodgrade-Foldable-Portable/dp/B0969YQ7SD/> (site visited: Aug. 2021) (Year: 2021).*

* cited by examiner

FIG.1

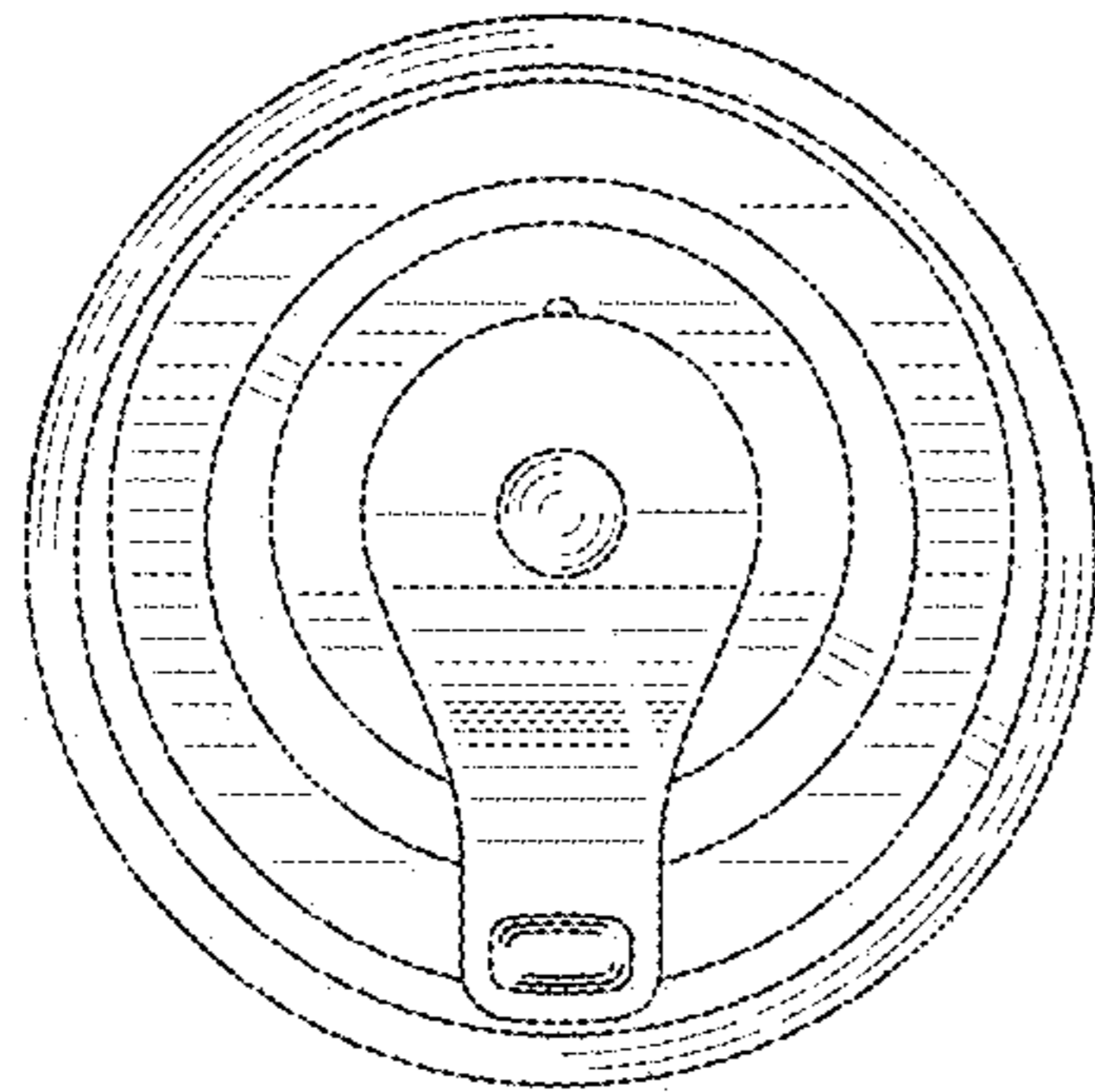


FIG.2

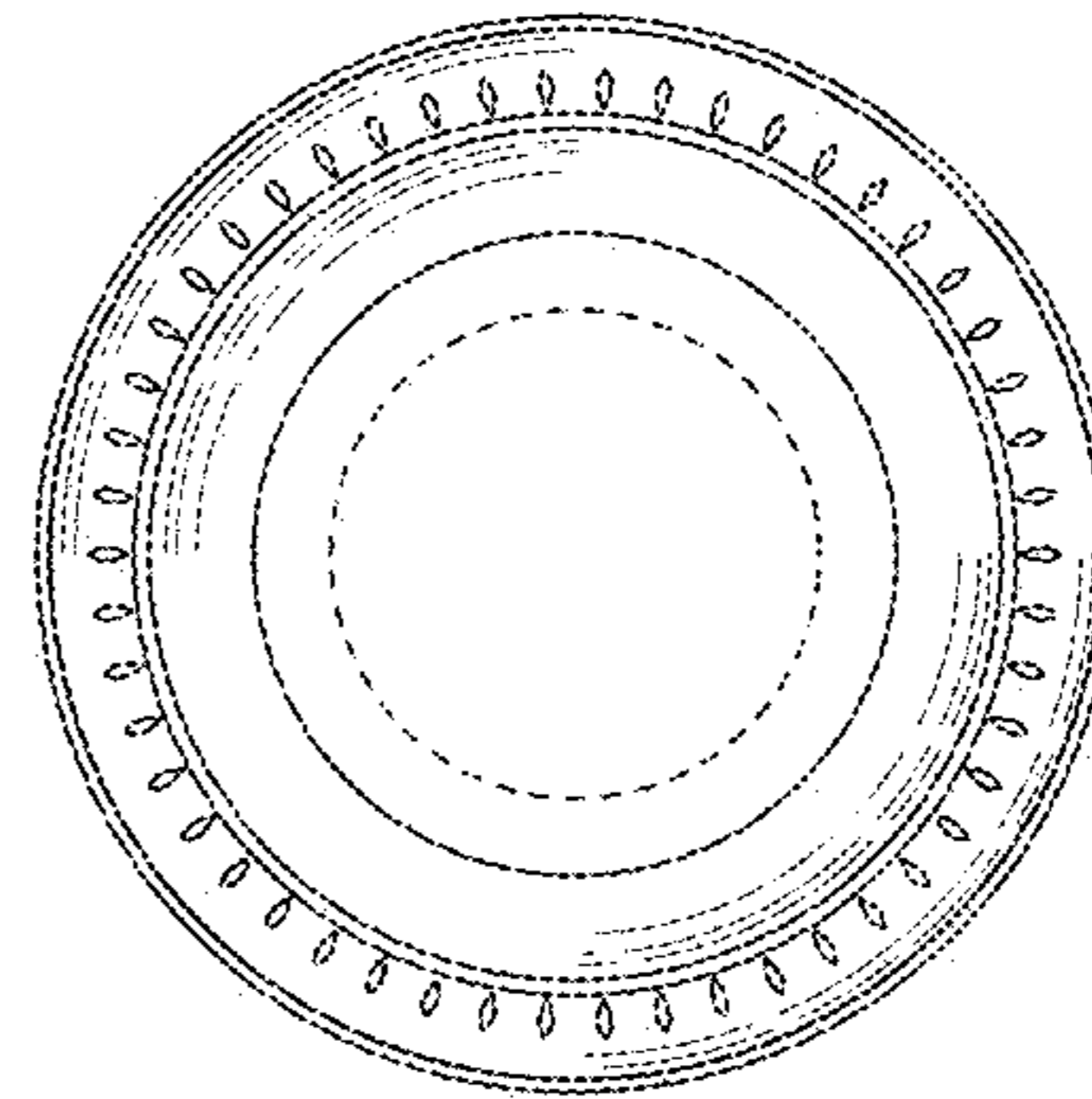


FIG.3

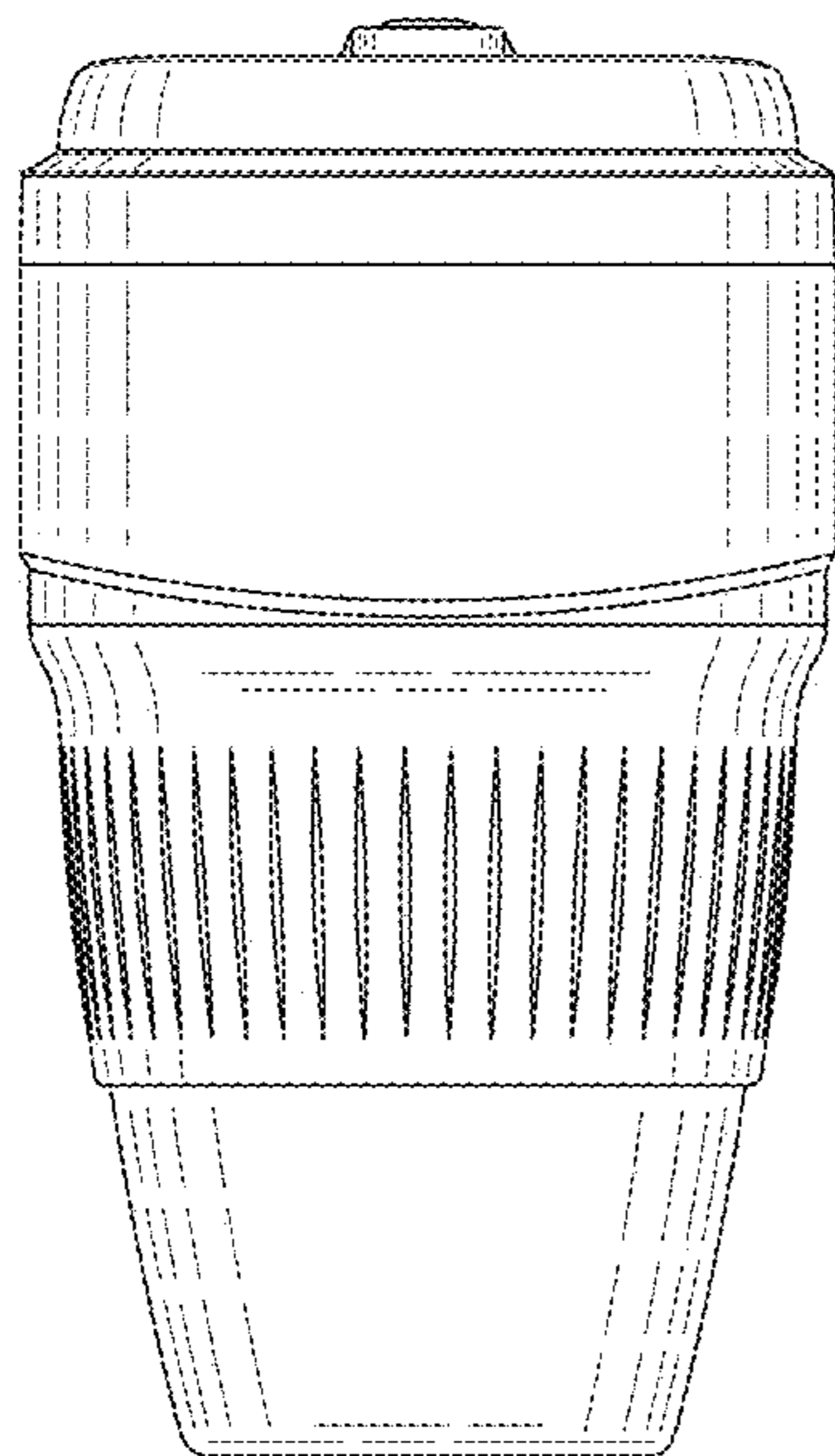


FIG.4

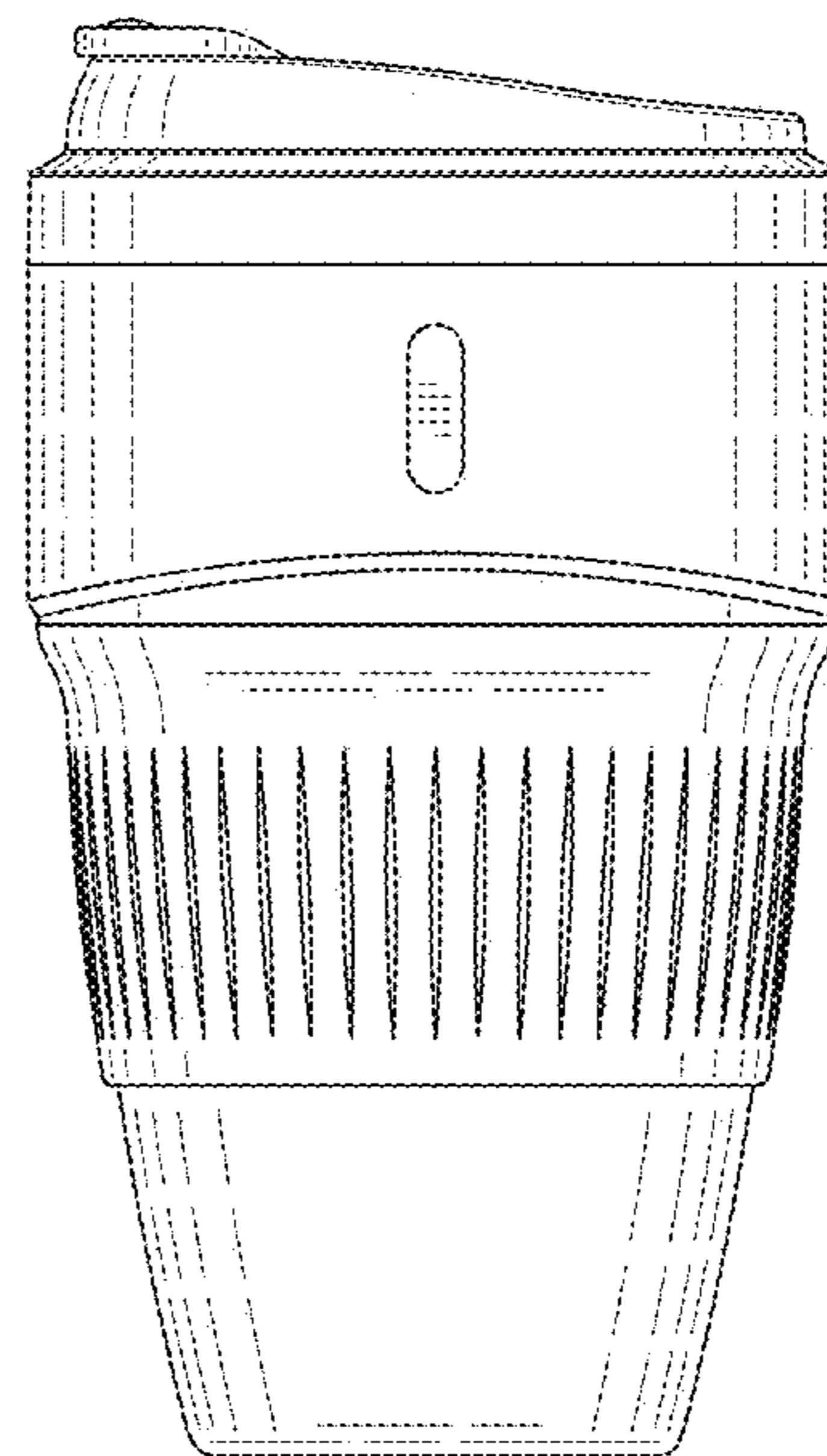


FIG.5

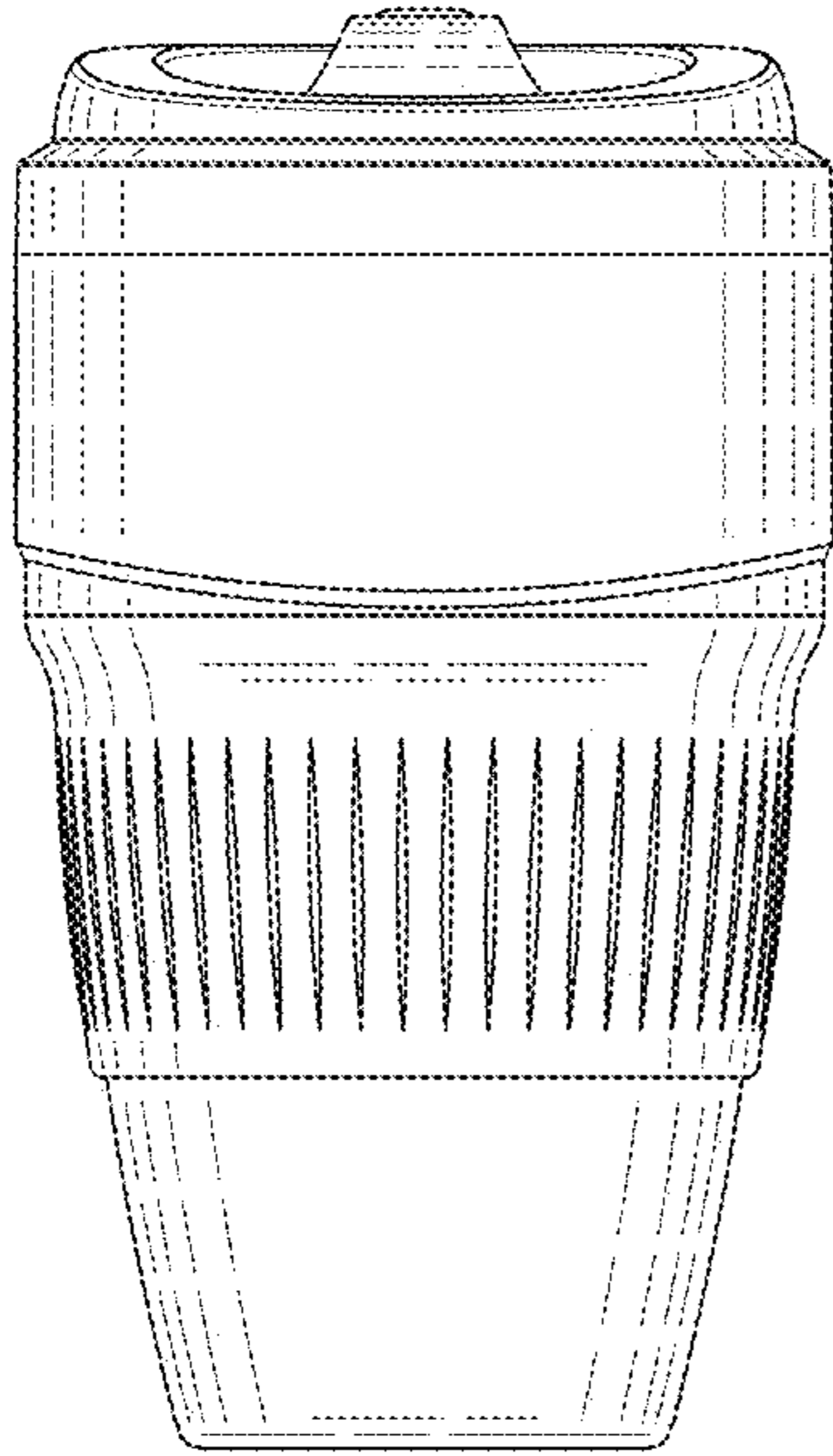


FIG.6

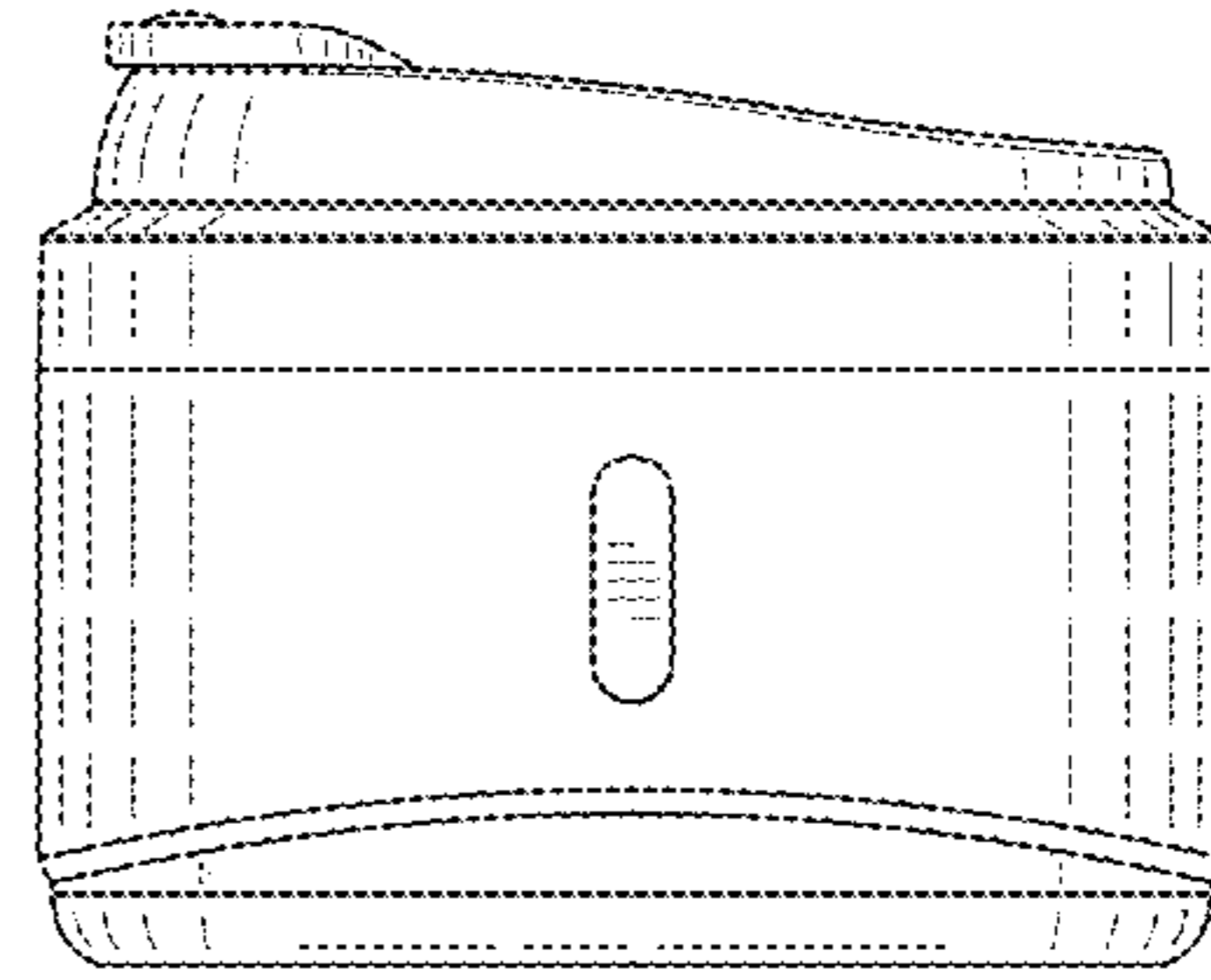


FIG.7

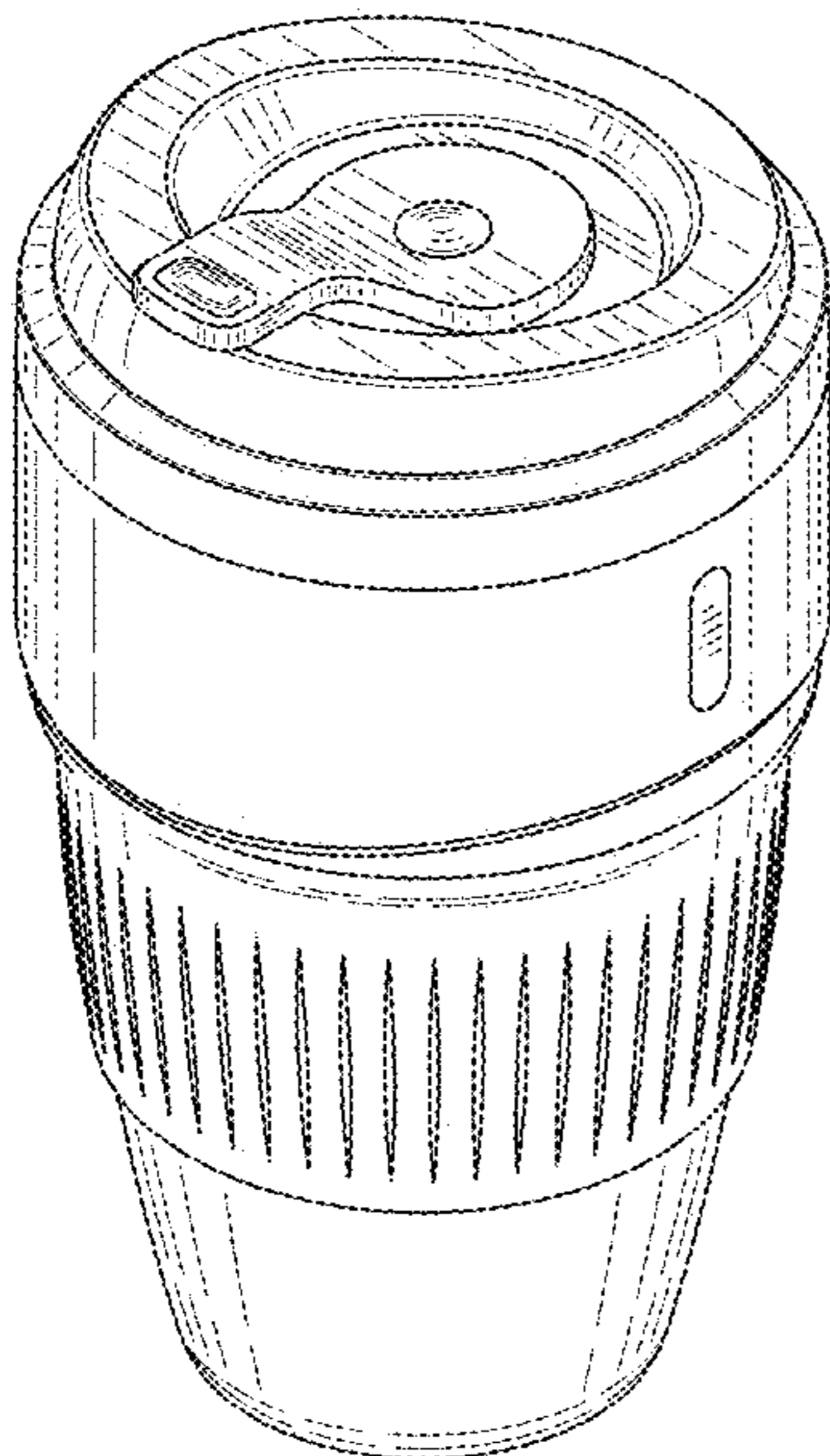


FIG.8

