



US00D941091S

(12) **United States Design Patent**
Delgado Carmona

(10) **Patent No.:** **US D941,091 S**
(45) **Date of Patent:** **** Jan. 18, 2022**

(54) **BEVERAGE CONTAINER**

(71) Applicant: **Dart Industries Inc.**, Orlando, FL (US)

(72) Inventor: **Sara L. Delgado Carmona**, Orlando, FL (US)

(73) Assignee: **Dart Industries Inc.**, Orlando, FL (US)

(**) Term: **15 Years**

(21) Appl. No.: **29/700,270**

(22) Filed: **Aug. 1, 2019**

(51) **LOC (13) Cl.** **07-01**

(52) **U.S. Cl.**
USPC **D7/510; D7/511**

(58) **Field of Classification Search**
USPC D7/507, 509, 510, 511, 529, 531, 532,
D7/523, 392.1, 296.1, 396.2, 300.1, 608;
D3/202; D9/449, 435, 436, 440, 450
CPC A47G 19/22; A47G 19/2288; A47G
19/2205; A47J 41/0077; A47J 41/0088
See application file for complete search history.

(56) **References Cited**

U.S. PATENT DOCUMENTS

6,286,754	B1 *	9/2001	Stier	B65D 81/3865	220/738
D572,082	S	7/2008	Kortleven			
D583,627	S	12/2008	Kortleven			
D651,466	S *	1/2012	Forsyth	D7/510	
8,276,776	B2 *	10/2012	Roth	B65D 81/3869	220/254.4
D727,684	S *	4/2015	Forsyth	D7/510	
D792,155	S *	7/2017	Stover	D7/510	
D899,192	S *	10/2020	Yu	D7/512	

D911,109	S *	2/2021	Johnson	D7/507	
D924,632	S *	7/2021	Hamilton	D7/510	
2006/0186129	A1 *	8/2006	Allnutt	B65D 81/3876	220/737
2006/0243734	A1 *	11/2006	Tedford	B65D 47/06	220/780
2013/0146593	A1 *	6/2013	Forsyth	A47G 19/2272	220/23.91
2014/0008378	A1 *	1/2014	Rinderer	B65D 47/0804	220/703

OTHER PUBLICATIONS

https://www.amazon.com/dp/B07ZKJ8N4X/ref=cm_sw_em_r_mt_dp_VS2RH2T3W23STYYHVGCW (Year: 2019).*

* cited by examiner

Primary Examiner — Jae Liang

(74) *Attorney, Agent, or Firm* — Taylor J. Ross

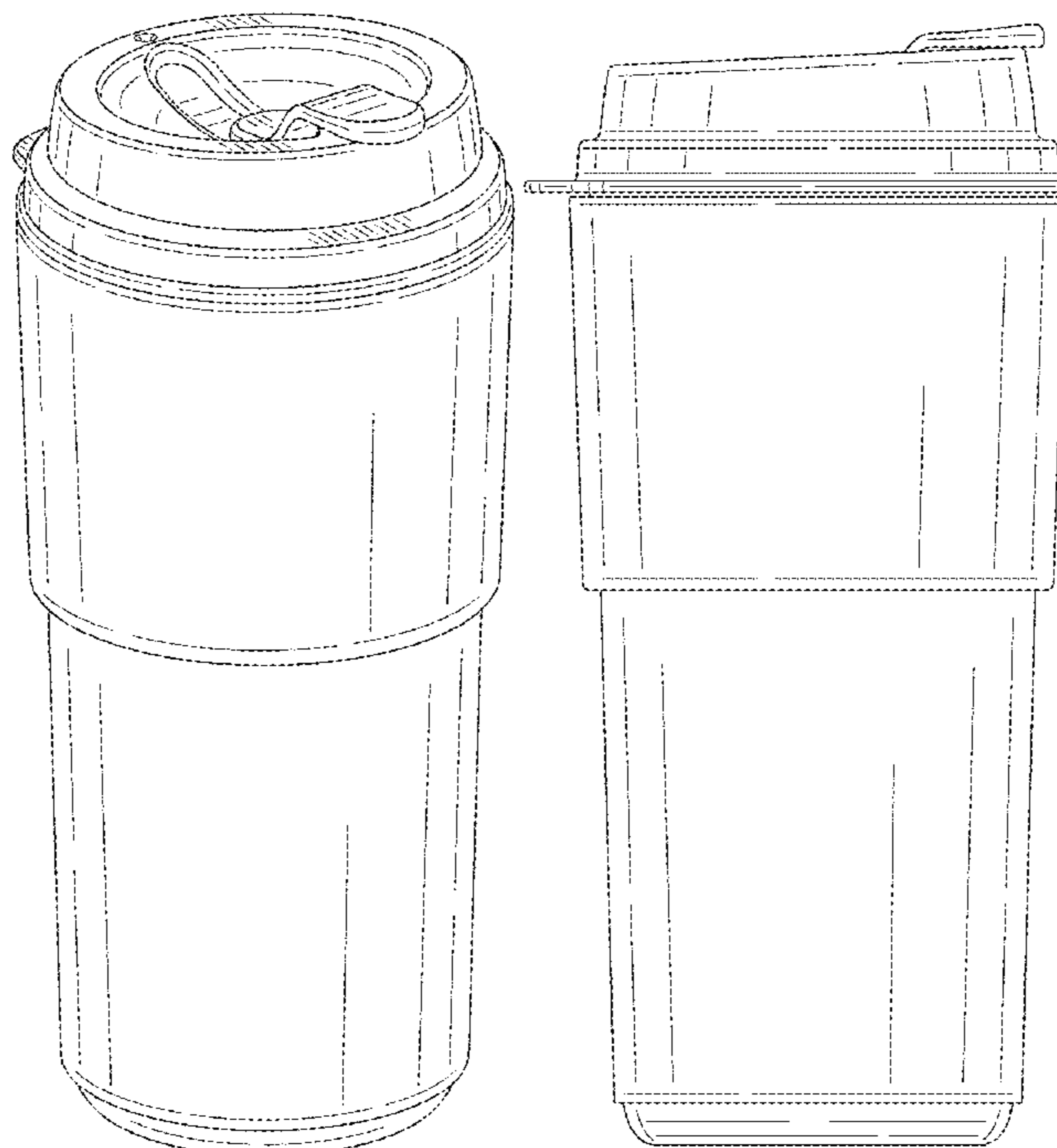
(57) **CLAIM**

The ornamental design for a beverage container, as shown and described.

DESCRIPTION

FIG. 1 is a top, front and right side isometric view of a beverage container showing my new design;
FIG. 2 is a bottom, rear and right side isometric view thereof;
FIG. 3 is a top plan view thereof;
FIG. 4 is a bottom plan view thereof;
FIG. 5 is a right side elevation view, the left side elevation being a mirror image thereof;
FIG. 6 is a front elevation view thereof;
FIG. 7 is a rear elevation view thereof; and,
FIG. 8 is a cross-sectional view taken along line 8-8 of FIG. 3.

1 Claim, 5 Drawing Sheets



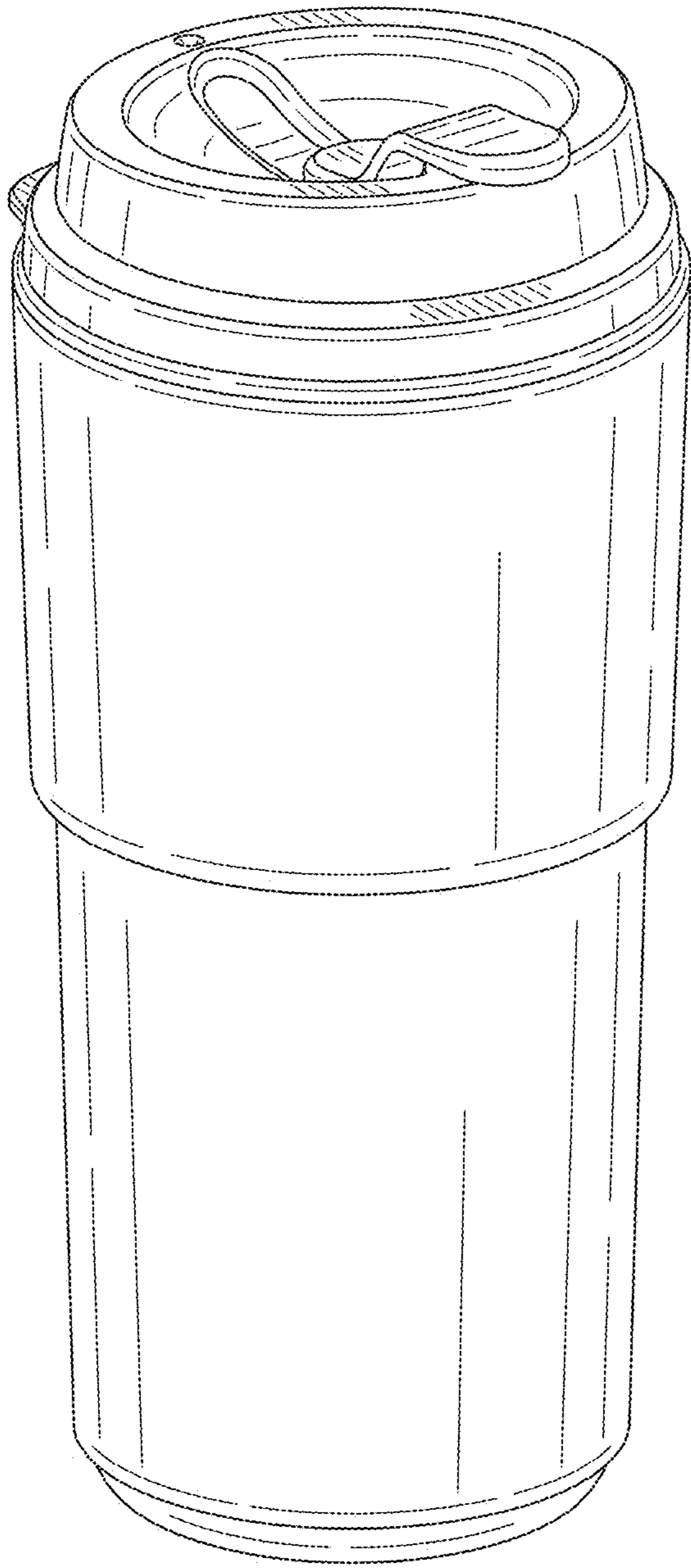
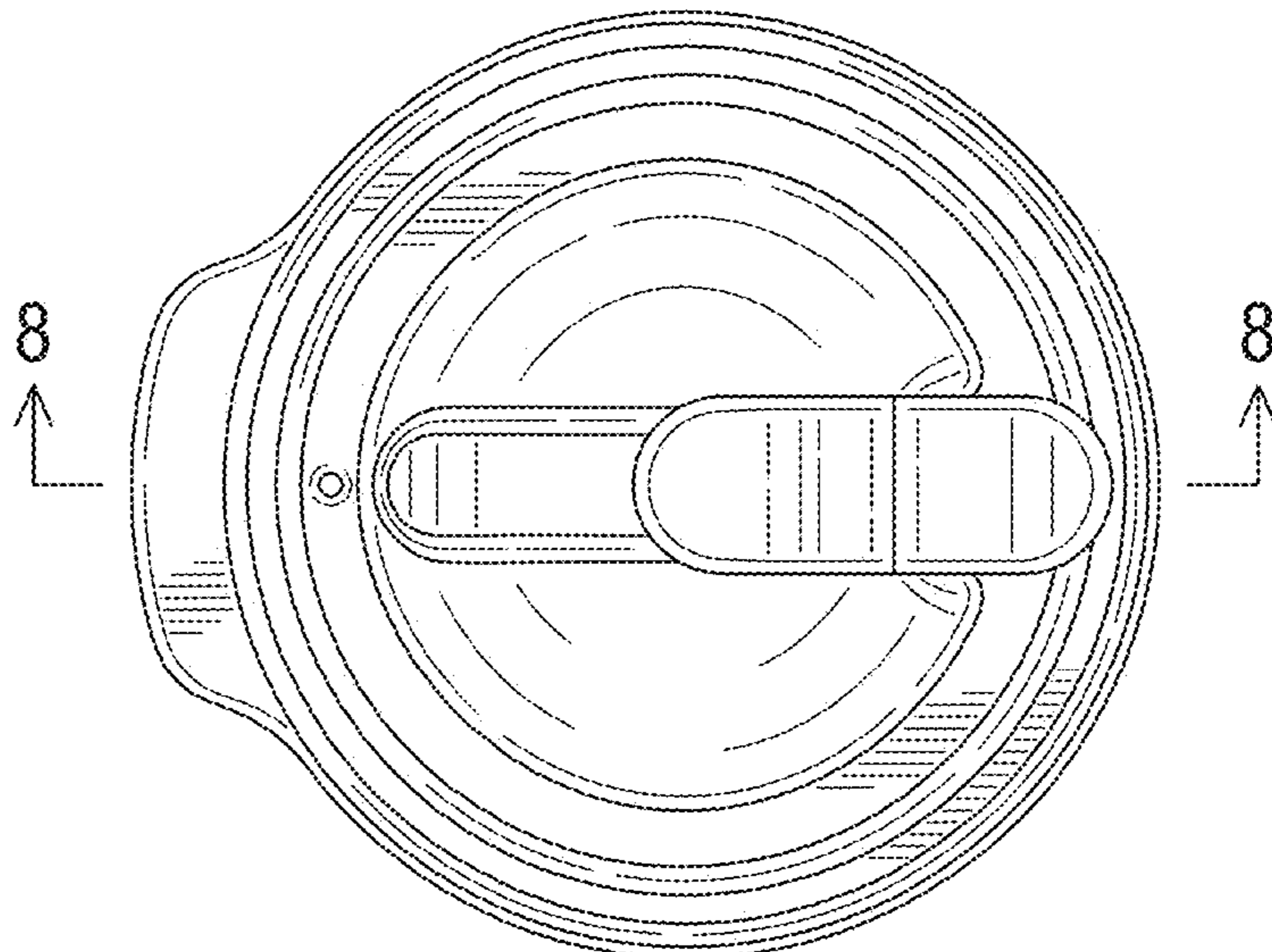


FIG. 1

FIG. 3



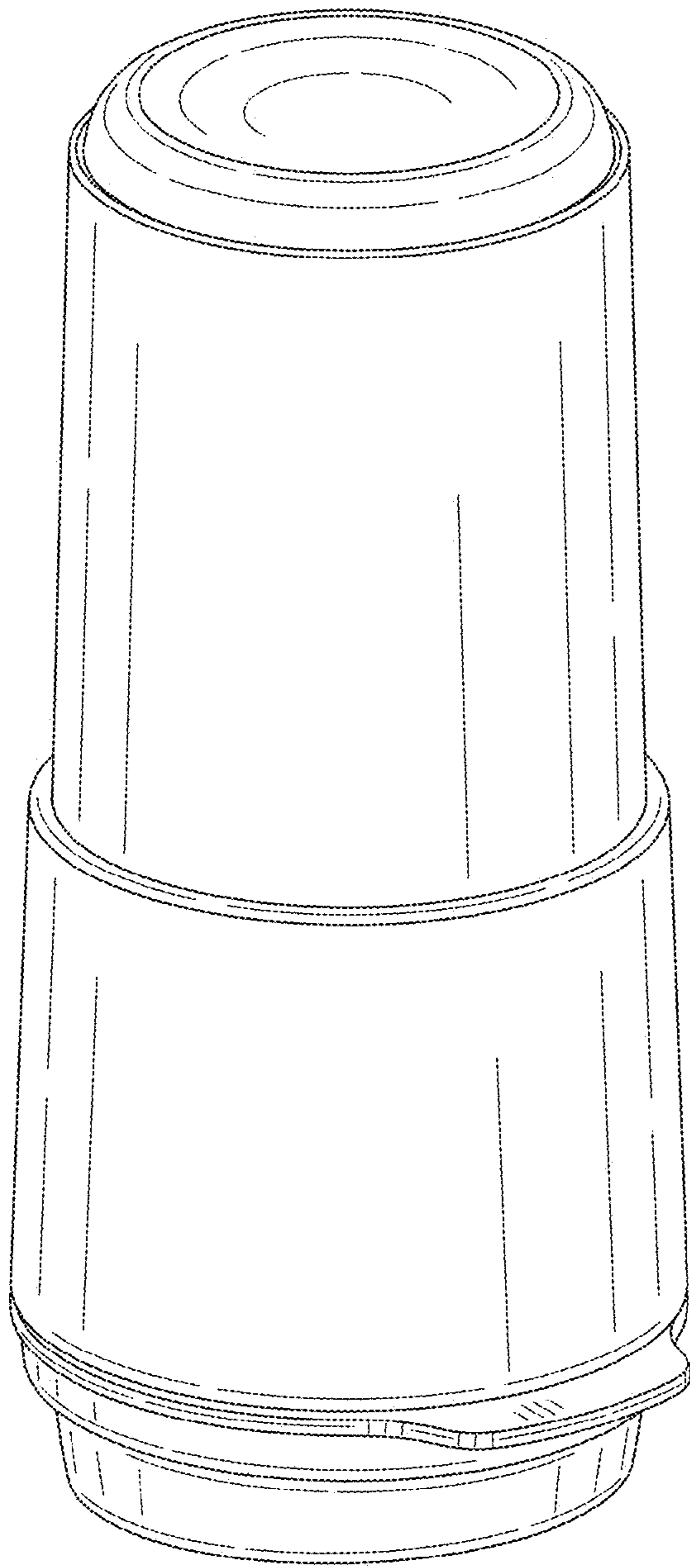


FIG. 2

FIG. 4

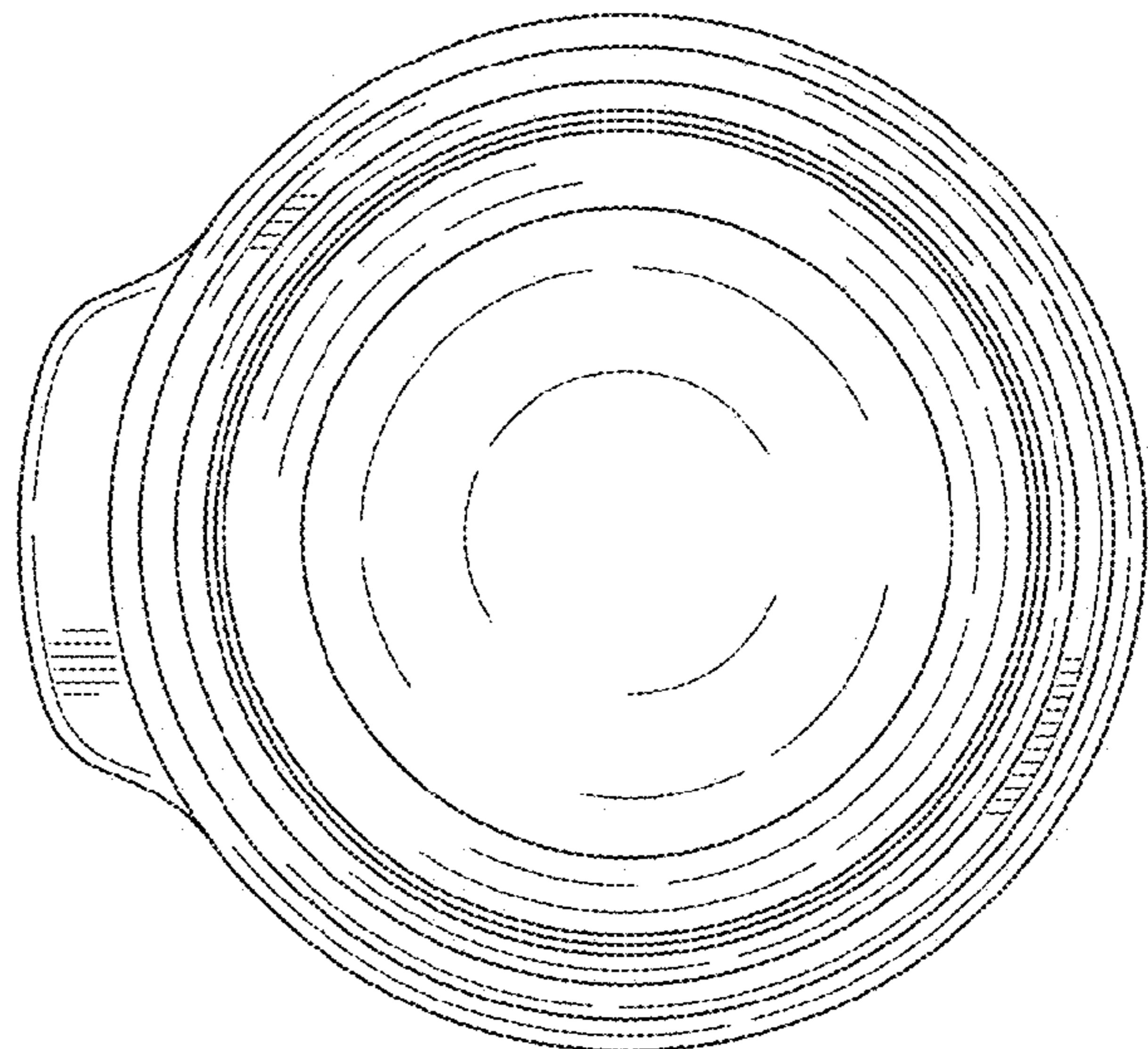
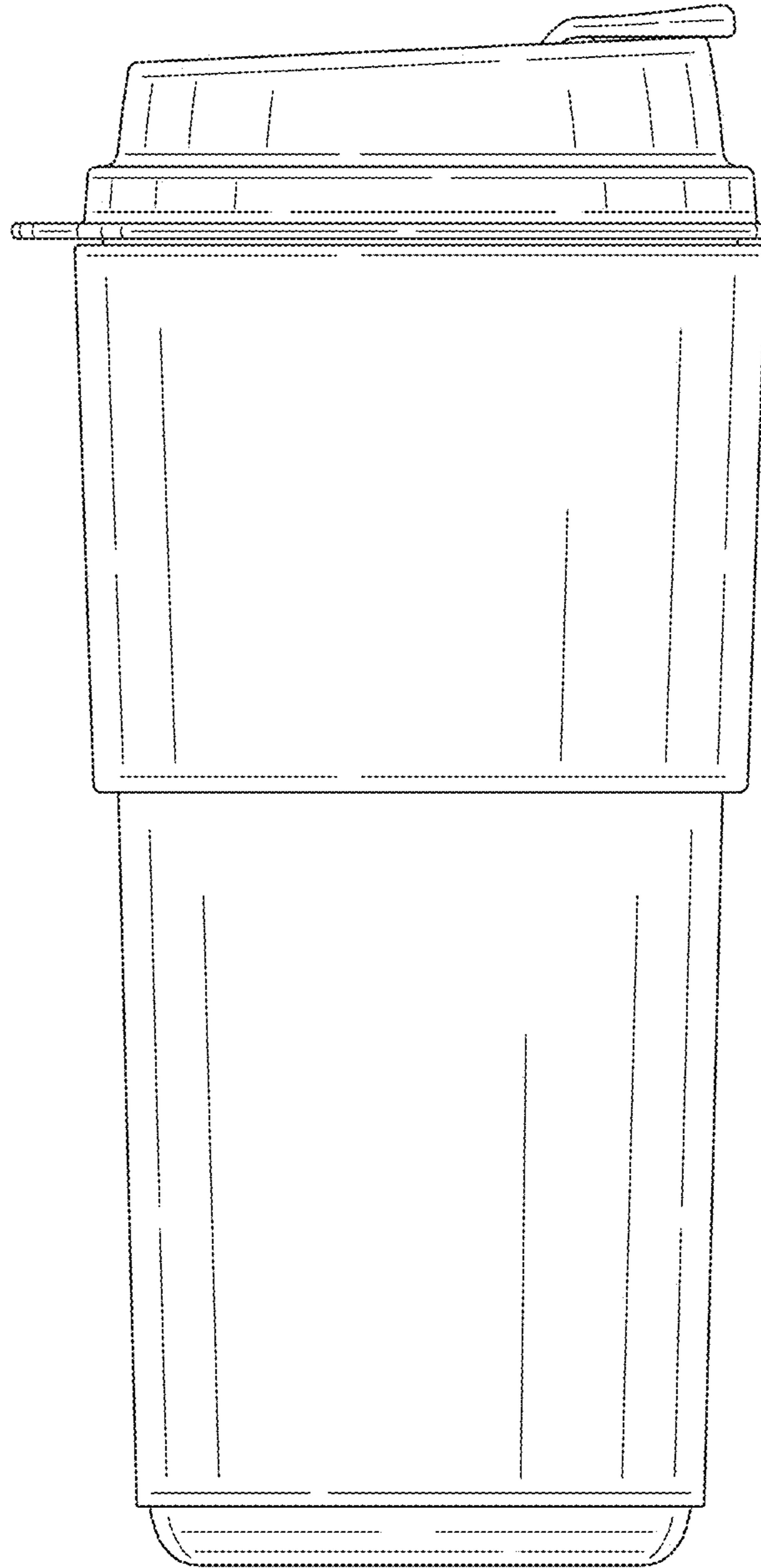


FIG. 5



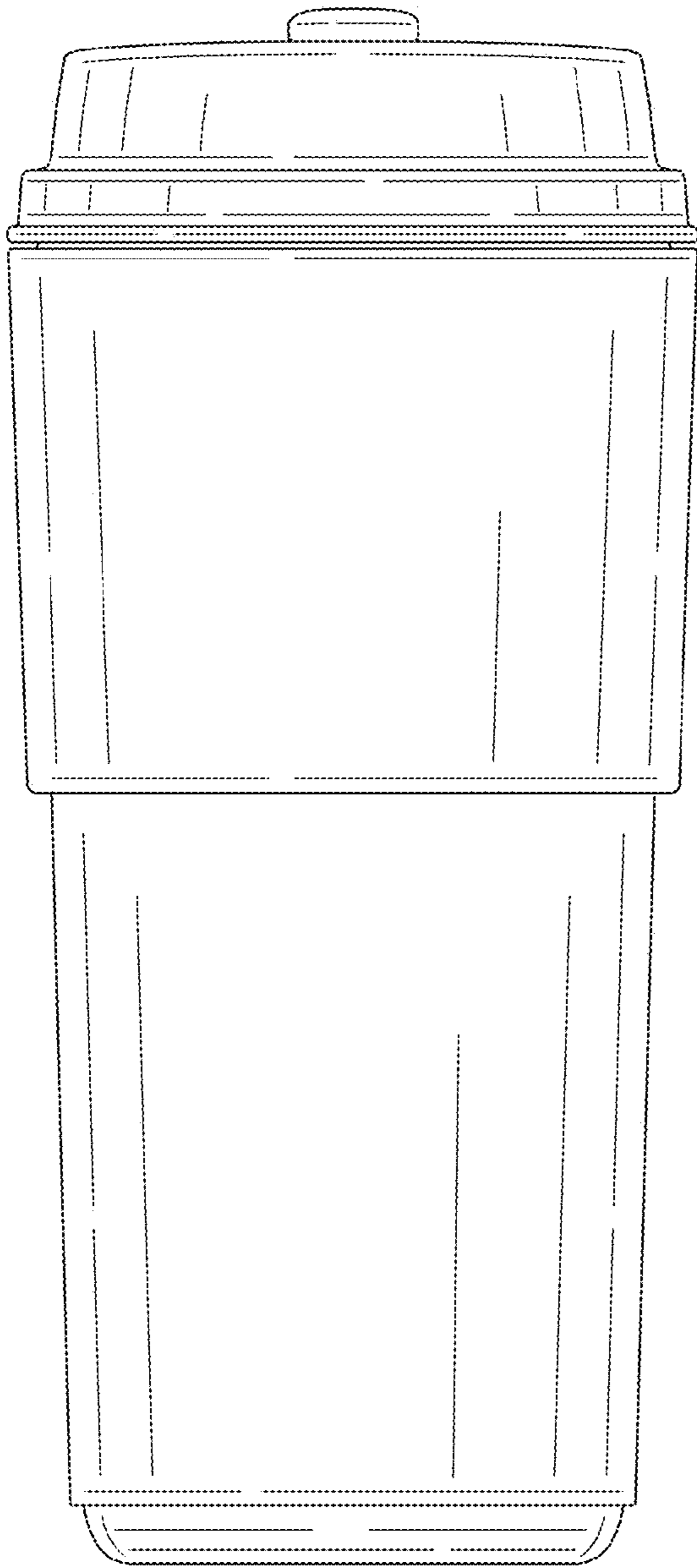


FIG. 6

FIG. 7

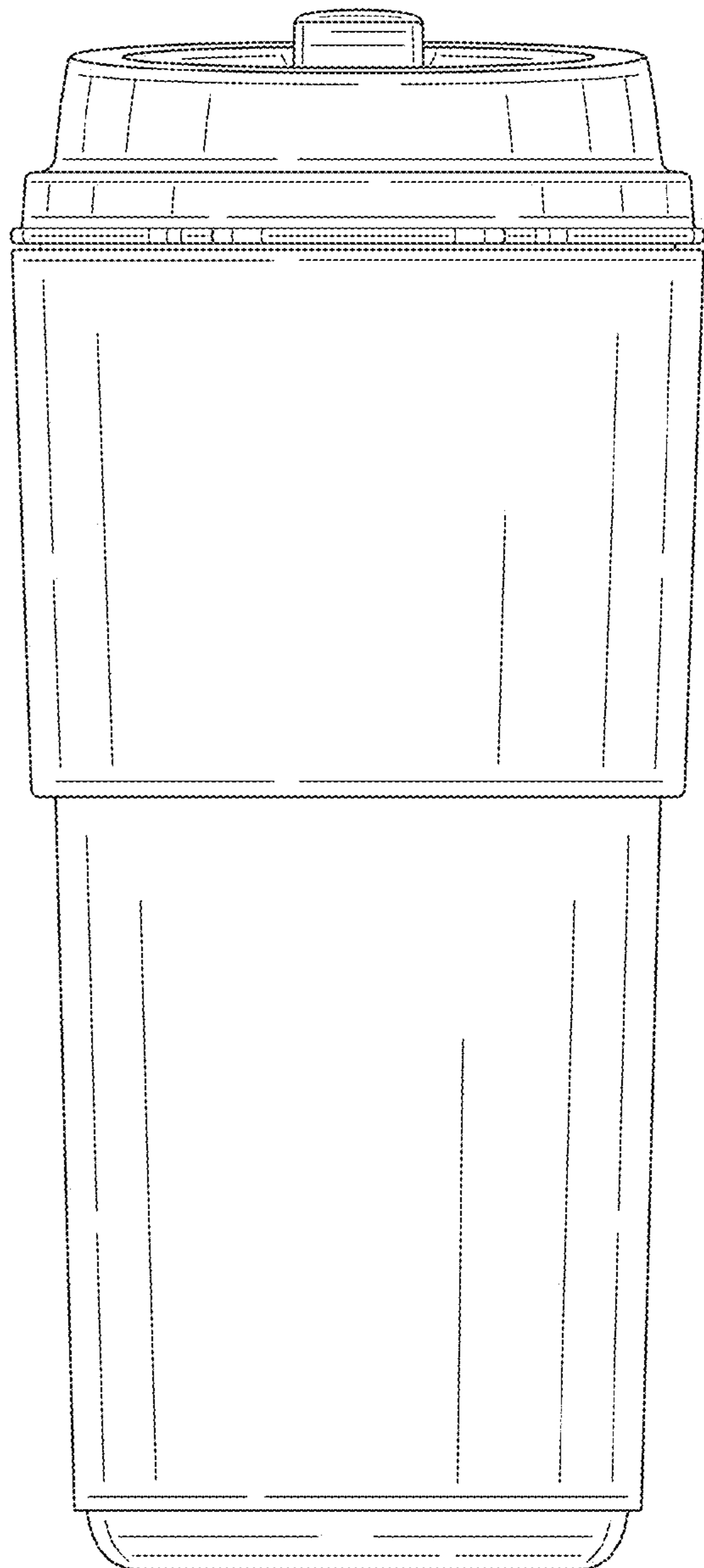


FIG. 8

