



US00D941088S

(12) **United States Design Patent** (10) **Patent No.:** **US D941,088 S**
Reiser et al. (45) **Date of Patent:** **** Jan. 18, 2022**

(54) **DISPENSING FITMENT**

FOREIGN PATENT DOCUMENTS

(71) Applicant: **Rich Products Corporation**, Buffalo, NY (US)

CA 136264 * 2/2011
CN 201714470 U 1/2011

(Continued)

(72) Inventors: **Ralf Reiser**, Orchard Park, NY (US);
Seung-Yeol Hong, Amherst, NY (US);
Kory Muise, Tonawanda, NY (US);
Shawn Campbell, Burlington (CA)

OTHER PUBLICATIONS

Hayward, "Hayward SPX1105Z4TC Elbow Adapter," Apr. 26, 2012, Amazon.ca, www.amazon.ca/dp/B004VTGSRU (Year: 2012).*

(Continued)

(73) Assignee: **Rich Products Corporation**, Buffalo, NY (US)

(**) Term: **15 Years**

Primary Examiner — Shannon W Morgan
Assistant Examiner — Arva P Adams

(21) Appl. No.: **29/685,122**

(74) *Attorney, Agent, or Firm* — Michael Best & Friedrich LLP

(22) Filed: **Mar. 26, 2019**

(51) **LOC (13) Cl.** **09-07**

(52) **U.S. Cl.**
USPC **D7/398**; D9/447

(58) **Field of Classification Search**
USPC D7/305-311, 313, 392, 395, 397-401,
D7/415, 605; D23/211.1, 211.2, 238,
D23/255-257, 262; D9/417, 435, 440,
D9/447, 449, 450, 695, 720

CPC .. B65D 77/065; B65D 77/067; B65D 77/068;
B65D 47/20; B65D 47/2006; B65D
47/205; B65D 47/2031; B65D 83/0055;
B65D 35/14; B65D 35/36; B65D 35/46;
B65D 39/04; B67D 2001/0087; A47K
5/12; Y10T 137/7847; Y10T 137/7856;
A61M 39/00; B05B 1/20; F16L 1/12;
F16L 1/18; F16L 1/19; F16L 59/11; F16L
2201/00;

(Continued)

(56) **References Cited**

U.S. PATENT DOCUMENTS

D7,452 S * 5/1874 Boettcher D23/238
D22,570 S 6/1893 Winfield

(Continued)

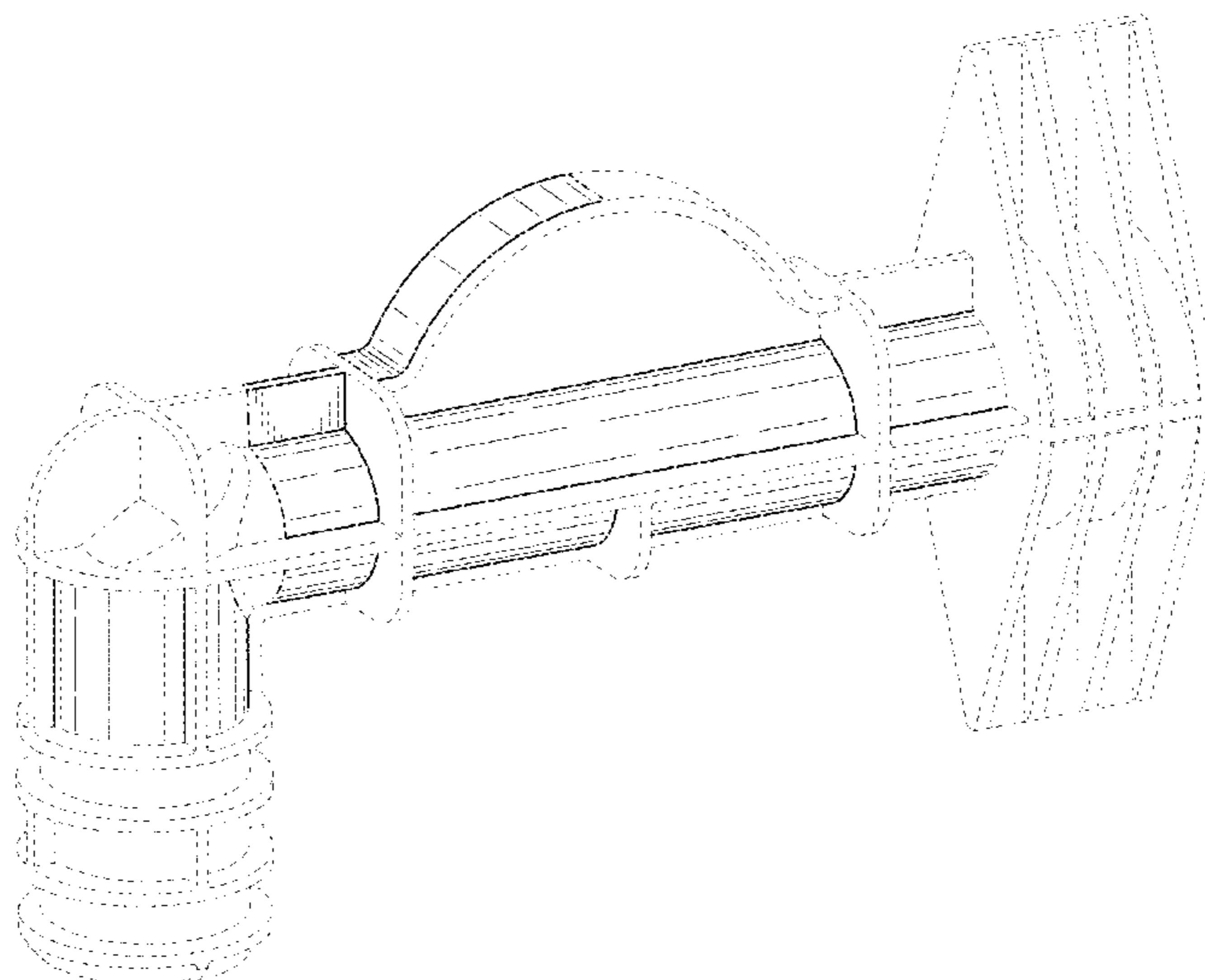
(57) **CLAIM**

We claim the ornamental design for a dispensing fitment, as shown and described.

DESCRIPTION

FIG. 1 is a perspective view of a dispensing fitment according to the present invention.
FIG. 2 is a left-side view of the dispensing fitment of FIG. 1.
FIG. 3 is a right-side view of the dispensing fitment of FIG. 1.
FIG. 4 is a front view of the dispensing fitment of FIG. 1.
FIG. 5 is a rear view of the dispensing fitment of FIG. 1.
FIG. 6 is a top view of the dispensing fitment of FIG. 1; and
FIG. 7 is a bottom view of the dispensing fitment of FIG. 1.
The portions of the dispensing fitment shown in broken lines form no part of the claimed design. The portions of the dispensing fitment shown in broken lines having unequal length segments illustrate the boundary of the claimed design and form no part of the claimed design.

1 Claim, 5 Drawing Sheets



(58) **Field of Classification Search**

CPC . F16L 47/16; F16L 47/28; F16L 43/00; F16L 41/00; F16L 41/005; F16L 41/007; F16L 39/00; F16L 39/06; F16L 37/00; F16L 37/008; F16L 37/38; F16L 33/00; F16L 29/00; F16L 29/002; F16L 27/0845; F16L 27/0849; F16L 51/00

See application file for complete search history.

(56) **References Cited**

U.S. PATENT DOCUMENTS

D30,893	S	5/1899	Levy	
D112,115	S	11/1938	Hoeter	
D189,335	S *	11/1960	Whetstone	D7/398
D226,763	S	4/1973	Raub	
D241,841	S	10/1976	Frahm	
D302,582	S	8/1989	Paul	
D316,138	S	4/1991	Paul	
D328,200	S	7/1992	Ipsen	
5,133,105	A *	7/1992	Littlefield	A47L 5/14 15/405
D370,964	S *	6/1996	Horvath	D23/262
5,556,137	A *	9/1996	Ream	F16L 37/56 285/26
D407,260	S	3/1999	Martindale	
5,989,006	A	11/1999	Godeau et al.	
6,273,307	B1 *	8/2001	Gross	B65D 75/5883 220/613
D455,597	S	4/2002	Lefroy-Brooks	
6,669,239	B1 *	12/2003	Entringer	F16L 37/008 285/215
D489,978	S *	5/2004	Brown	D9/440
D515,668	S	2/2006	Ng	
D516,175	S *	2/2006	Ng	D23/238
D560,965	S	2/2008	Sommerfield	
D580,519	S	11/2008	Citterio	
7,785,514	B2	8/2010	McCarthy	
D665,624	S	8/2012	Ben-David et al.	
D673,422	S	1/2013	Lane	
D698,420	S	1/2014	Hahn et al.	
D717,591	S	11/2014	Bond	
8,967,674	B2	3/2015	Douglass, III et al.	
D746,956	S *	1/2016	Castrigno	D23/262
D769,064	S	10/2016	Crowell	
D823,114	S *	7/2018	Johnson	F16L 19/0225 D9/447
D834,683	S	11/2018	Schoenherr et al.	
D837,345	S	1/2019	Garland et al.	
10,165,843	B2	1/2019	Hedges	
D860,723	S *	9/2019	Gallagher	B65D 5/74 D7/398
D871,551	S	12/2019	Shinozaki	
D907,957	S *	1/2021	Reiser	B32B 27/32
D915,884	S *	4/2021	Mizokami	B05B 1/22
2008/0231048	A1 *	9/2008	Hillis	F16L 43/00 285/179

2009/0255626	A1 *	10/2009	Murray	B29C 66/1122 156/253
2011/0042415	A1 *	2/2011	Santy	B67D 1/0867 222/144.5
2012/0248764	A1 *	10/2012	Ericksen	F16L 55/1157 285/331
2014/0124050	A1 *	5/2014	Tix	F16L 19/0225 137/315.01
2014/0251452	A1	9/2014	Schurle	
2015/0217906	A1 *	8/2015	Ichikawa	B65D 51/10 222/92
2016/0334032	A1	11/2016	Foster et al.	
2017/0088318	A1 *	3/2017	Franca	B65D 47/2031
2019/0256268	A1 *	8/2019	Brown	B32B 27/32
2019/0271428	A1 *	9/2019	O'Connor	F16L 33/006
2019/0359467	A1	11/2019	Ferro	
2020/0102121	A1	4/2020	Speck	
2021/0001360	A1 *	1/2021	Johnson	B05B 1/22
2021/0062951	A1 *	3/2021	Cohen	F16L 39/00

FOREIGN PATENT DOCUMENTS

CN	203131292	U	8/2013
CN	104712872	A	6/2015
CN	105172050	A	12/2015
CN	205877558	U	1/2017
CN	304313977	*	10/2017
CN	207229995	U	4/2018
EM	000530183-0001	*	6/2006
GB	4016176	*	9/2010
IN	231779-0001	*	7/2011
KR	20140043011	A	4/2014
WO	2018008056	A1	12/2018
WO	2018218398	A1	12/2018

OTHER PUBLICATIONS

Steeman, Anton, "Interesting Developments in Stand-Up Pouches—Part 02," Oct. 16, 2013, Best In Packaging, <https://bestinpackaging.wordpress.com/2013/10/16/interesting-developments-in-stand-up-pouches-part-02/> (Year: 2013).*

Thetford, "Thetford 40759 90 Degree Elbow Nozzle," Nov. 1, 2014, Amazon.com, www.amazon.com/dp/B00P3SLSO6 (Year: 2014).*

Pentair, "Pentair R172061 Combination Check Valve and Elbow Replacement," Aug. 22, 2014, Amazon.ca, www.amazon.ca/dp/B0039RUI4E (Year: 2014).*

Flexible Packaging, "Aptar Launches EZ Pour Dispensing Spout for Dry Foods," Oct. 5, 2017, Flexible Packaging, www.flexpackmag.com/articles/89012-aptar-launches-ez-pour-dispensing-spout-for-dry-foods (Year: 2017).*

Scholle IPN, "Fitments for Flexible Packaging," Downloaded Apr. 19, 2021, Scholle IPN, www.scholleipn.com/fitments/ (Year: 2021).*

Watts, "ANKA A Series Pipe Fittings," <<https://www.watts.com/dfsmedia/0533dbba17714b1ab581ab07a4cbb521/21403-source/options/download>> webpage accessed Feb. 18, 2019.

United States Patent Office Restriction Requirement for U.S. Appl. No. 29/666,442 dated Apr. 29, 2020 (7 pages).

* cited by examiner

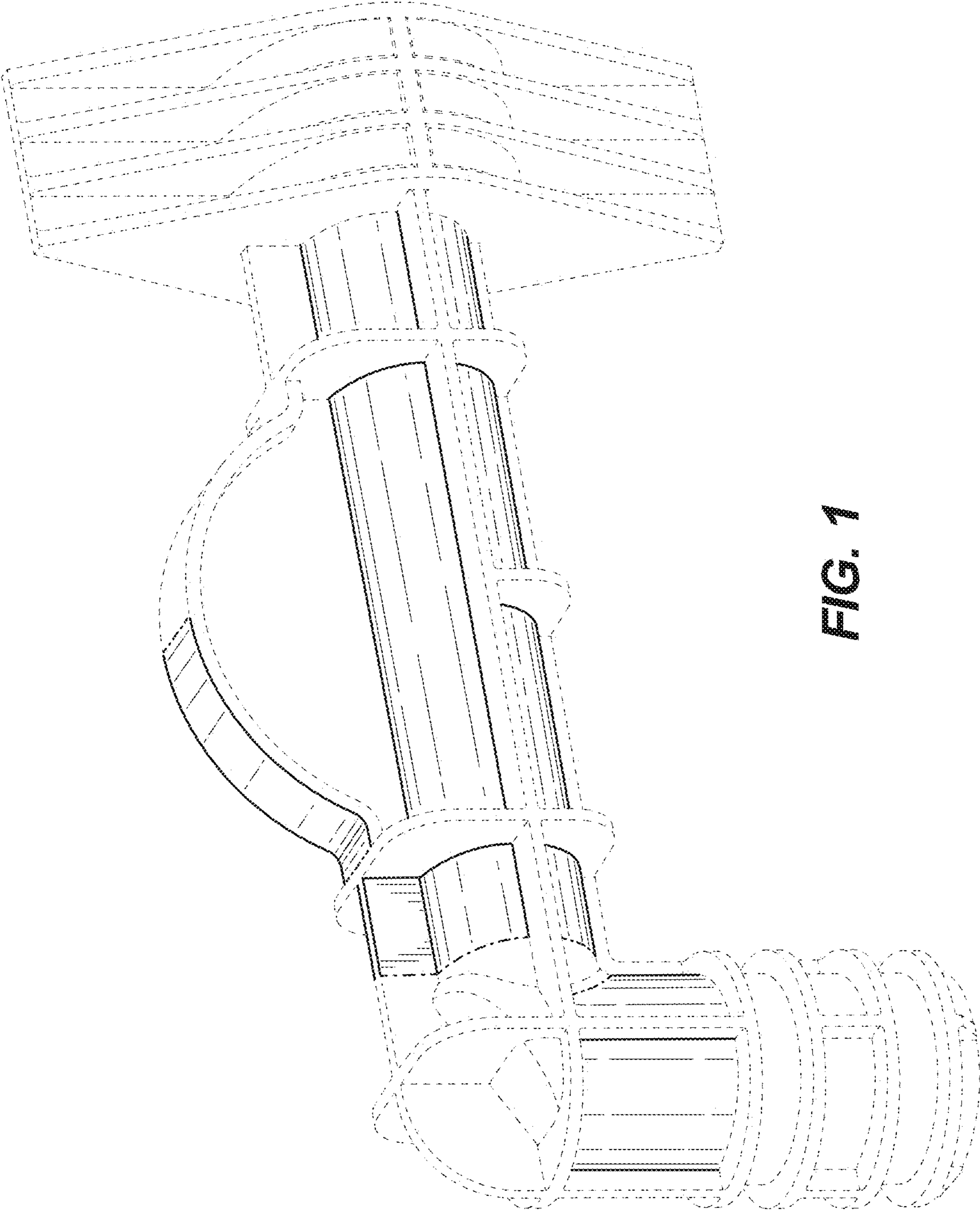


FIG. 1

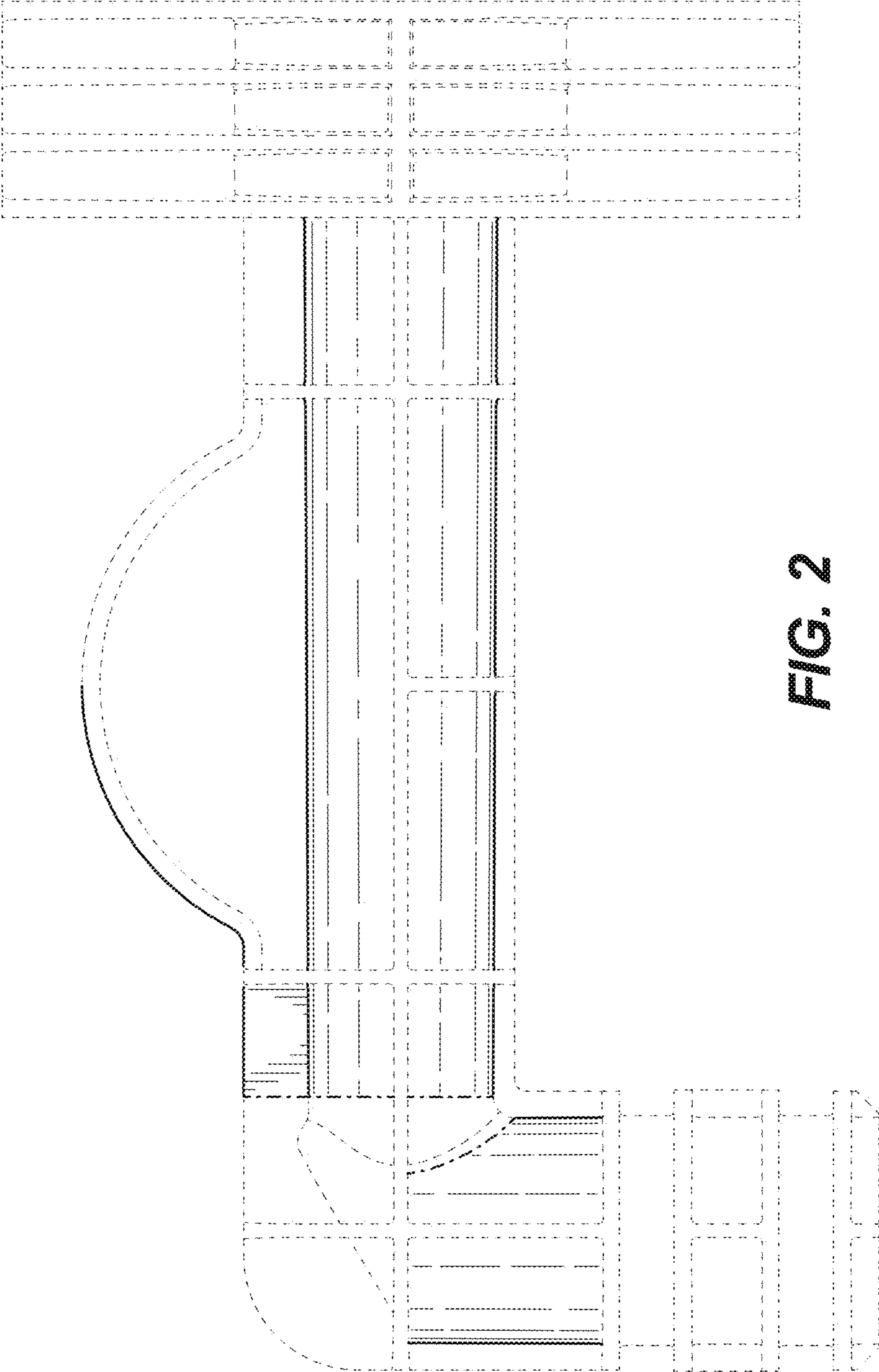


FIG. 2

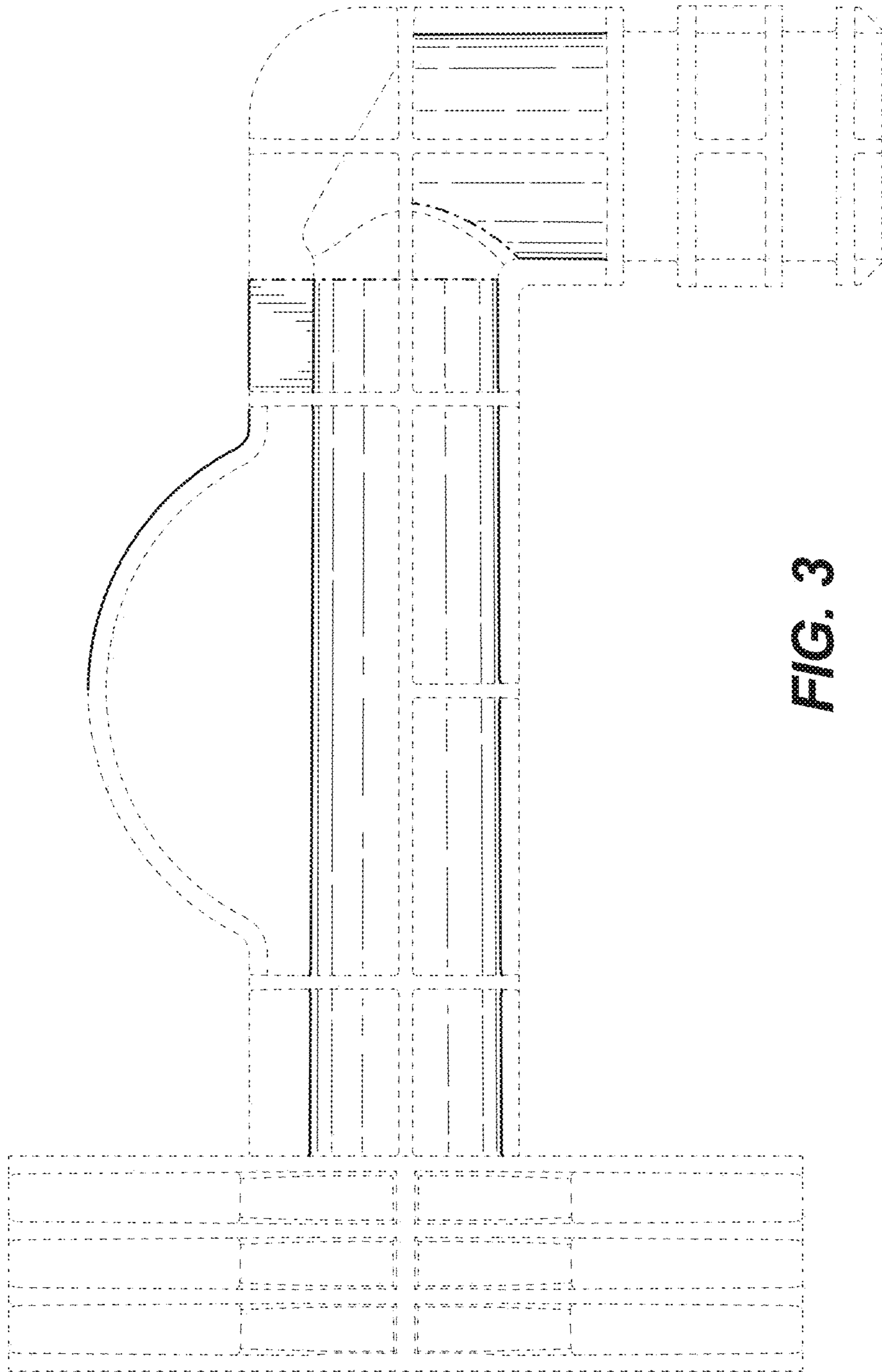


FIG. 3

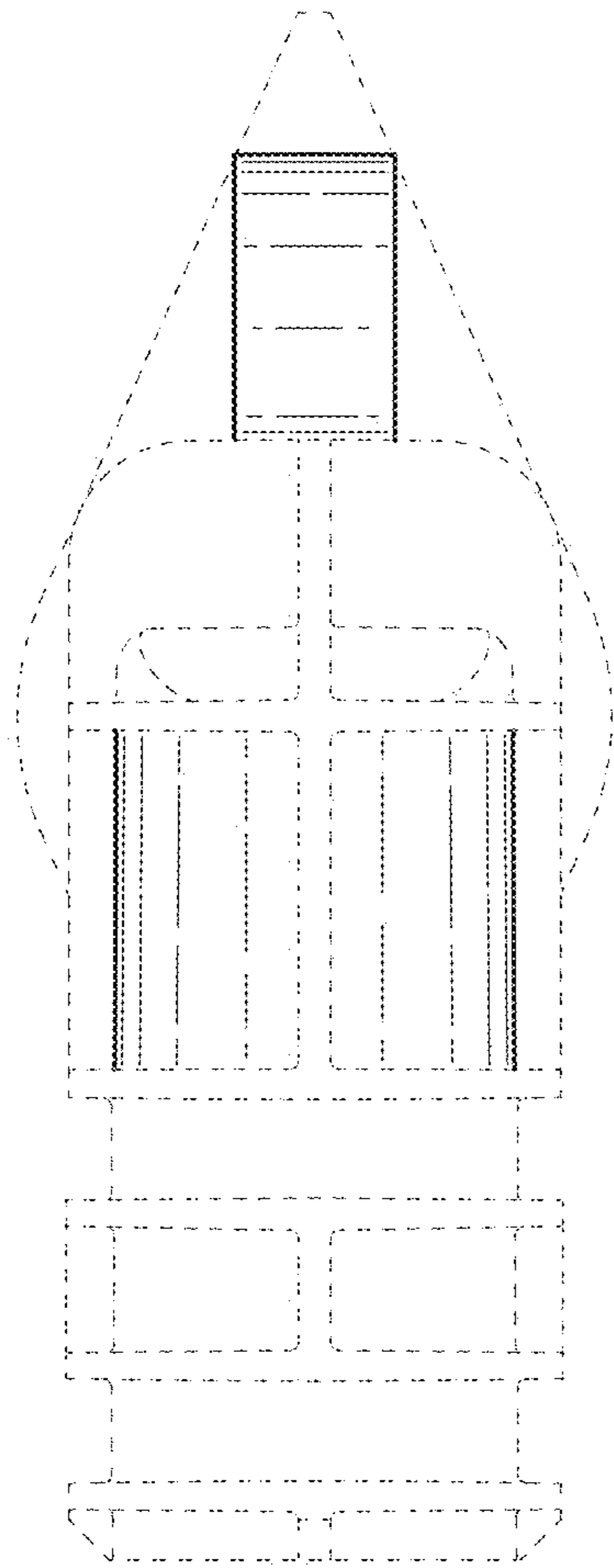


FIG. 4

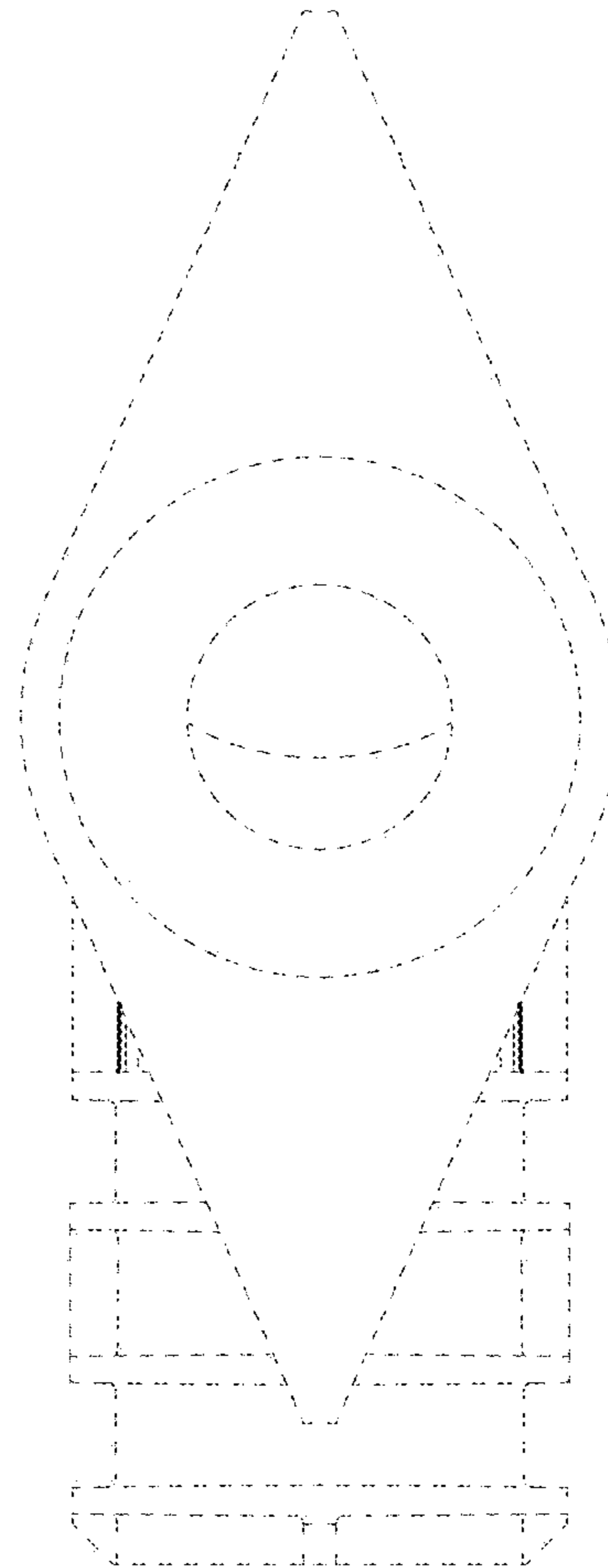


FIG. 5

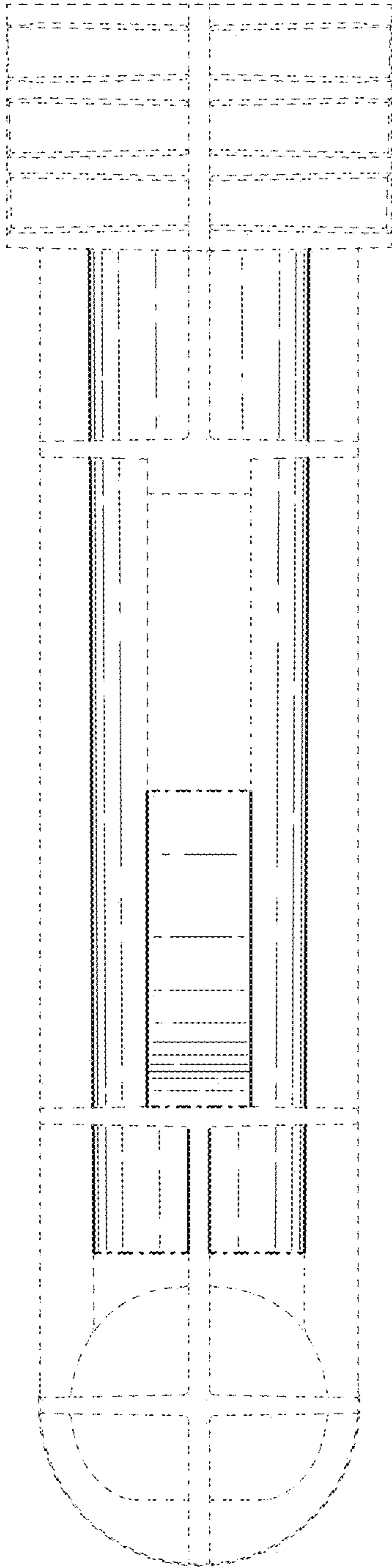


FIG. 6

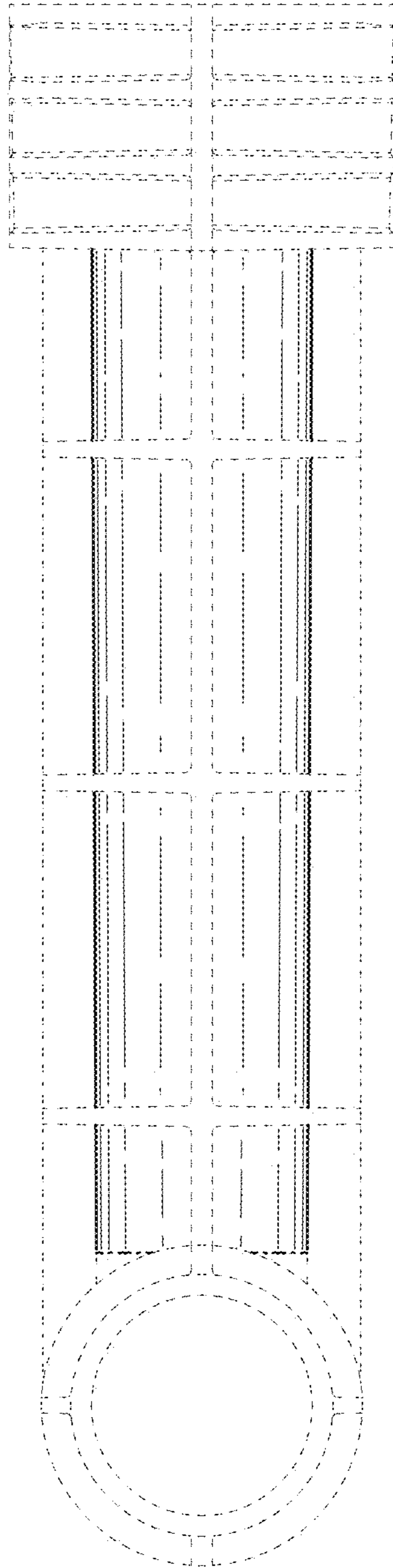


FIG. 7