



US00D941083S

(12) **United States Design Patent**
Chen

(10) **Patent No.:** **US D941,083 S**

(45) **Date of Patent:** **** Jan. 18, 2022**

(54) **MINI FOOD PROCESSOR**

(71) Applicant: **Shuangma Plastic Manufacturing Inc,**
Zhejiang (CN)

(72) Inventor: **Cuihong Chen,** Zhejiang (CN)

(**) Term: **15 Years**

(21) Appl. No.: **29/752,478**

(22) Filed: **Sep. 28, 2020**

(30) **Foreign Application Priority Data**

Jun. 15, 2020 (CN) 202030304158.4

(51) **LOC (13) Cl.** **31-00**

(52) **U.S. Cl.**
USPC **D7/384; D7/376; D7/378**

(58) **Field of Classification Search**
USPC D3/271.9; D6/552; D7/325, 330, 372,
D7/376-386, 391, 412-413, 510, 538,
D7/602, 629, 665-666, 669, 673, 679,
D7/693-694; D9/428; D22/122

CPC .. A01K 93/00; A21C 1/02; A21C 1/04; A23L
7/187; A23N 1/00; A23N 1/02; A47J
43/04; A47J 43/24; A47J 43/25; A47J
43/27; A47J 43/042; A47J 43/044; A47J
43/046; A47J 43/0623; A47J 43/0704;
A47J 43/075; A47J 43/0722; A47J
43/0727; B01F 3/00; B01F 3/0807; B01F
3/0853; B01F 13/0059; B01F 13/0064;
B02C 1/08; B02C 2/04; B02C 4/42;
B02C 4/142; B02C 4/143; B02C 4/423;
B02C 13/1835; B28C 5/10; B28C 5/12;
B28C 5/14; B28C 5/16

See application file for complete search history.

(56) **References Cited**

U.S. PATENT DOCUMENTS

3,168,790	A *	2/1965	Creasey	A01K 93/00 43/43.11
3,330,266	A *	7/1967	Stephen	A47J 37/0704 126/25 R
4,332,188	A *	6/1982	Rhear	A47J 37/0623 99/323.5
D301,364	S *	5/1989	Hunter	D22/122
D304,262	S *	10/1989	Mays	D3/271.9
D434,264	S *	11/2000	Mixides	D7/330
D450,219	S *	11/2001	Smith	D7/538
D521,796	S *	5/2006	Bertulis	D7/325
D565,145	S *	3/2008	Studer	D22/122
D598,226	S *	8/2009	Byers	D6/552
D733,498	S *	7/2015	Matharu	D7/510
D789,481	S *	6/2017	Rubel	D22/122
9,795,158	B2 *	10/2017	Carlson	A23L 7/187

* cited by examiner

Primary Examiner — Ricky Pham

(74) *Attorney, Agent, or Firm* — Prakash Nama; Global IP Services, PLLC

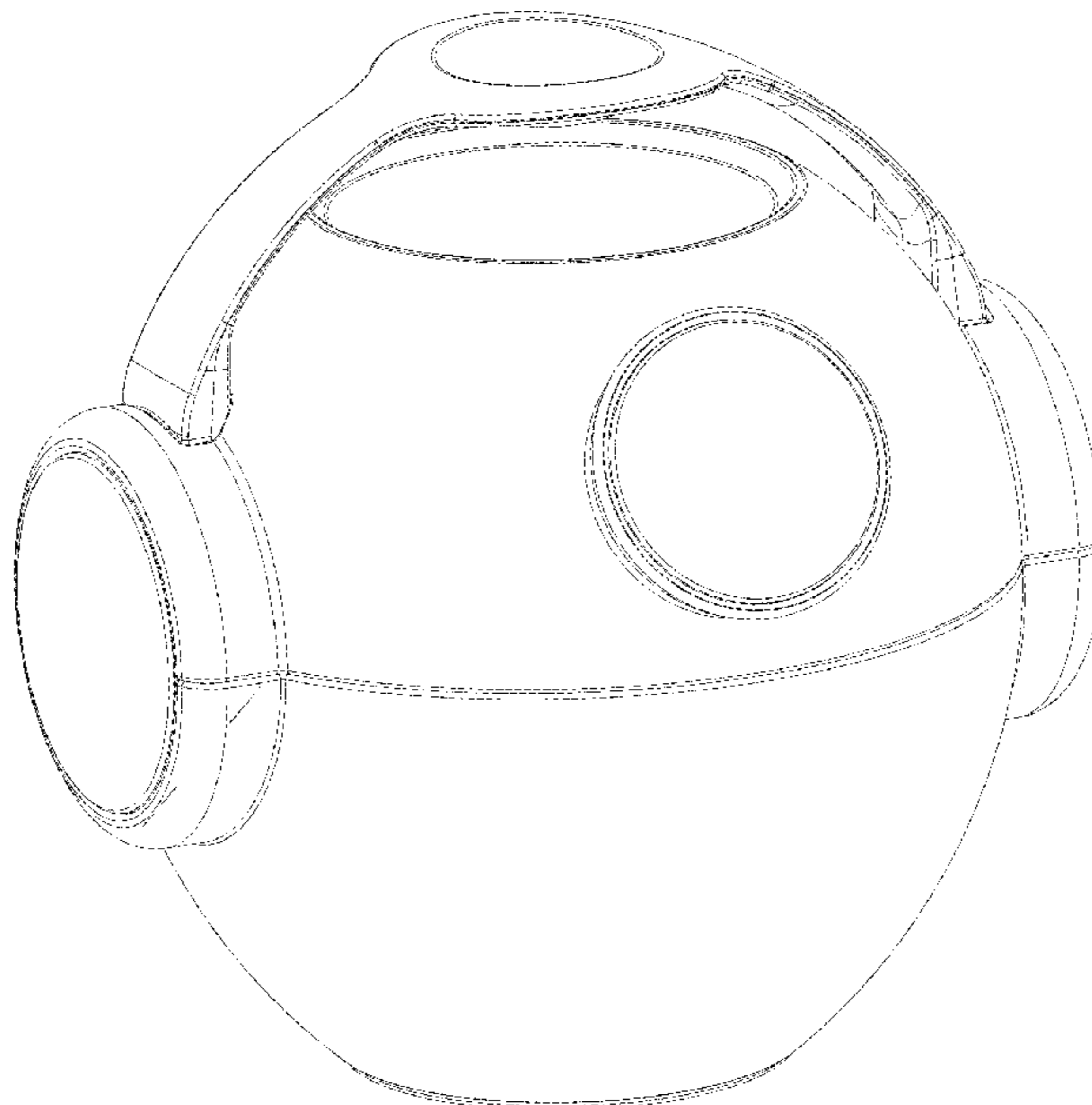
(57) **CLAIM**

The ornamental design for a mini food processor, as shown and described.

DESCRIPTION

FIG. 1 is a front elevational view of a mini food processor showing my new design;
FIG. 2 is a rear elevational view thereof;
FIG. 3 is a left side view thereof;
FIG. 4 is a right side view thereof;
FIG. 5 is a top plan view thereof;
FIG. 6 is a bottom plan view thereof; and,
FIG. 7 is a perspective view thereof.
The broken lines shown in mini food processor form no part of the claimed design.

1 Claim, 7 Drawing Sheets



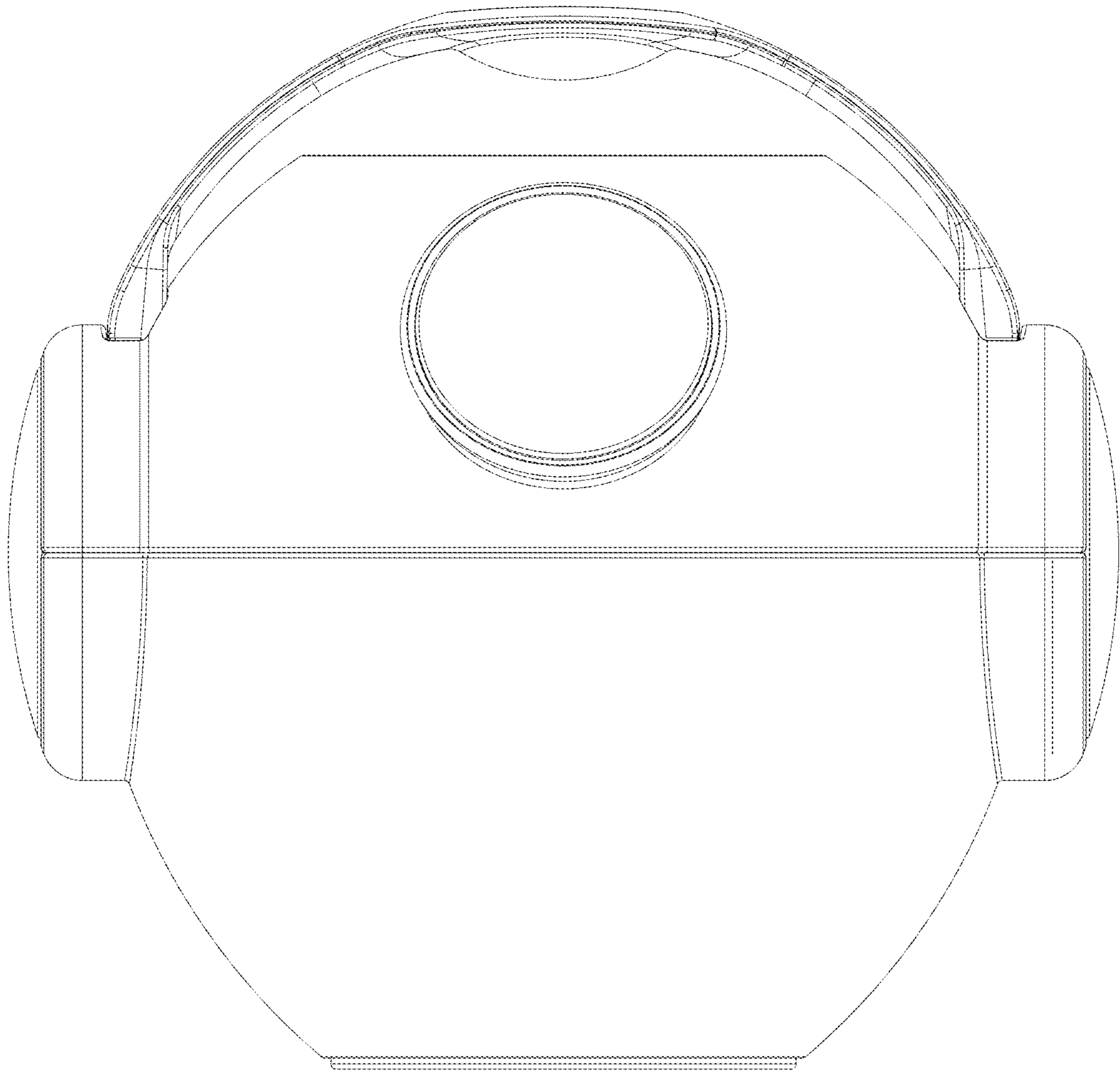


FIG. 1

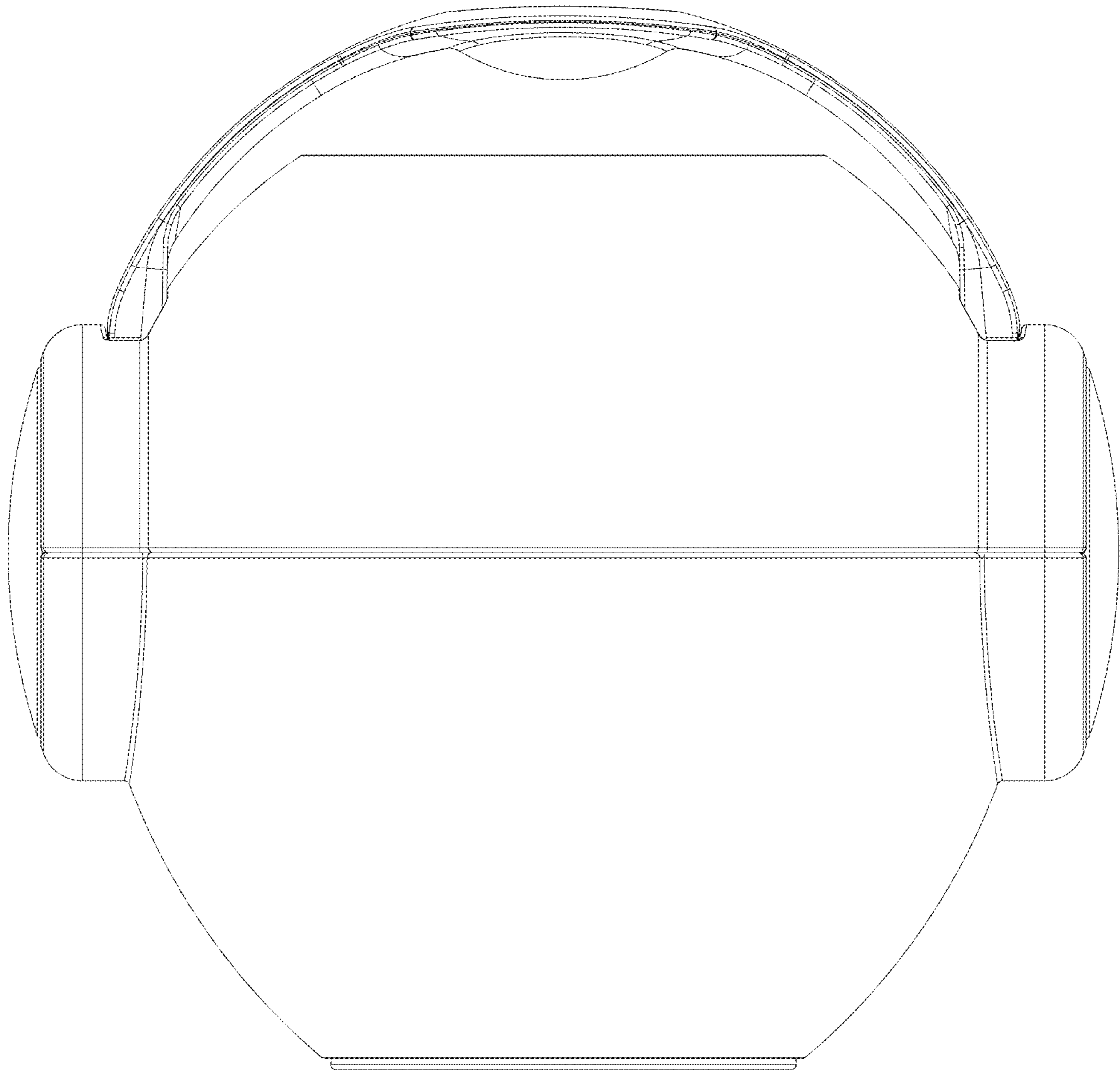


FIG. 2

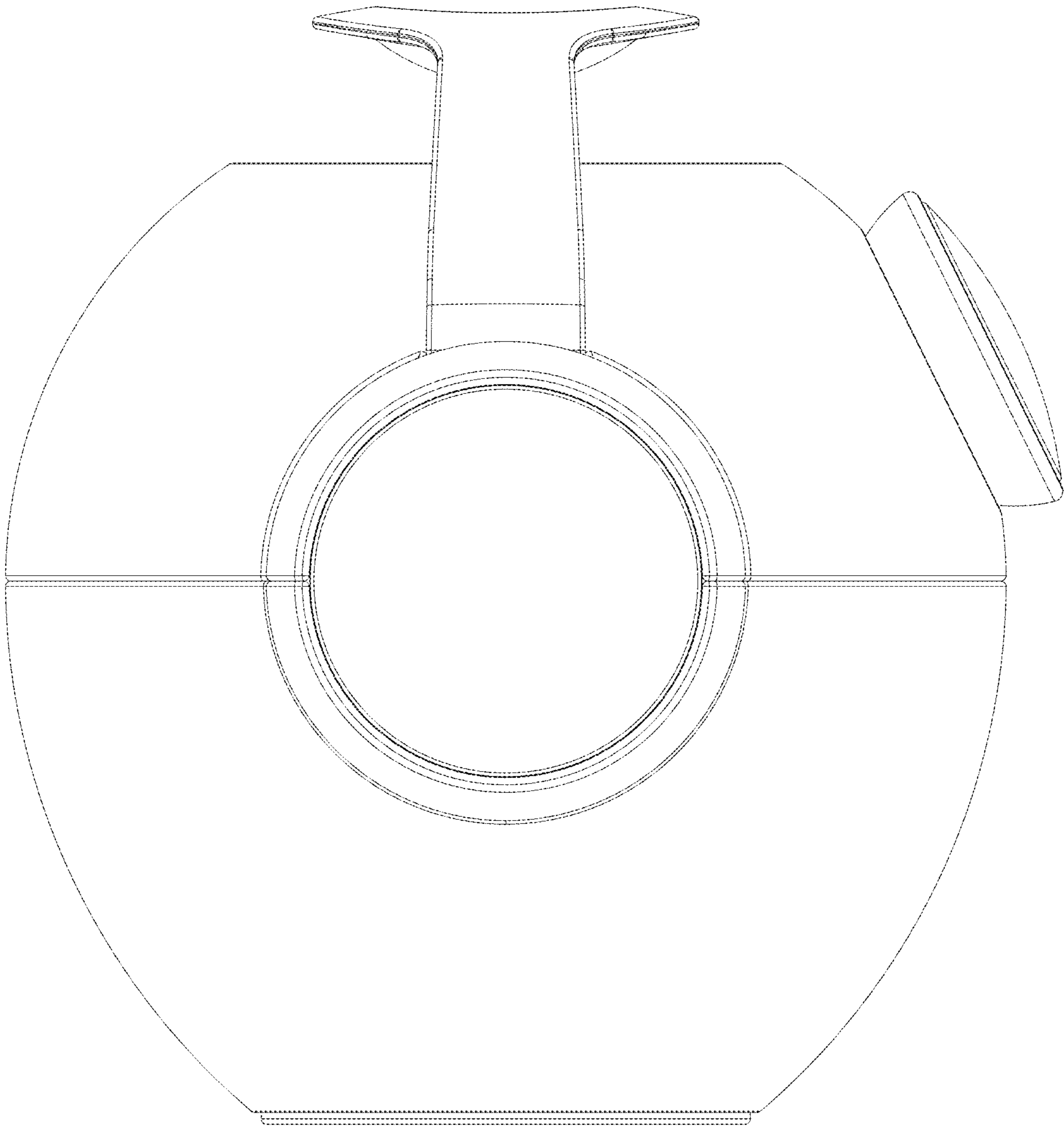


FIG. 3

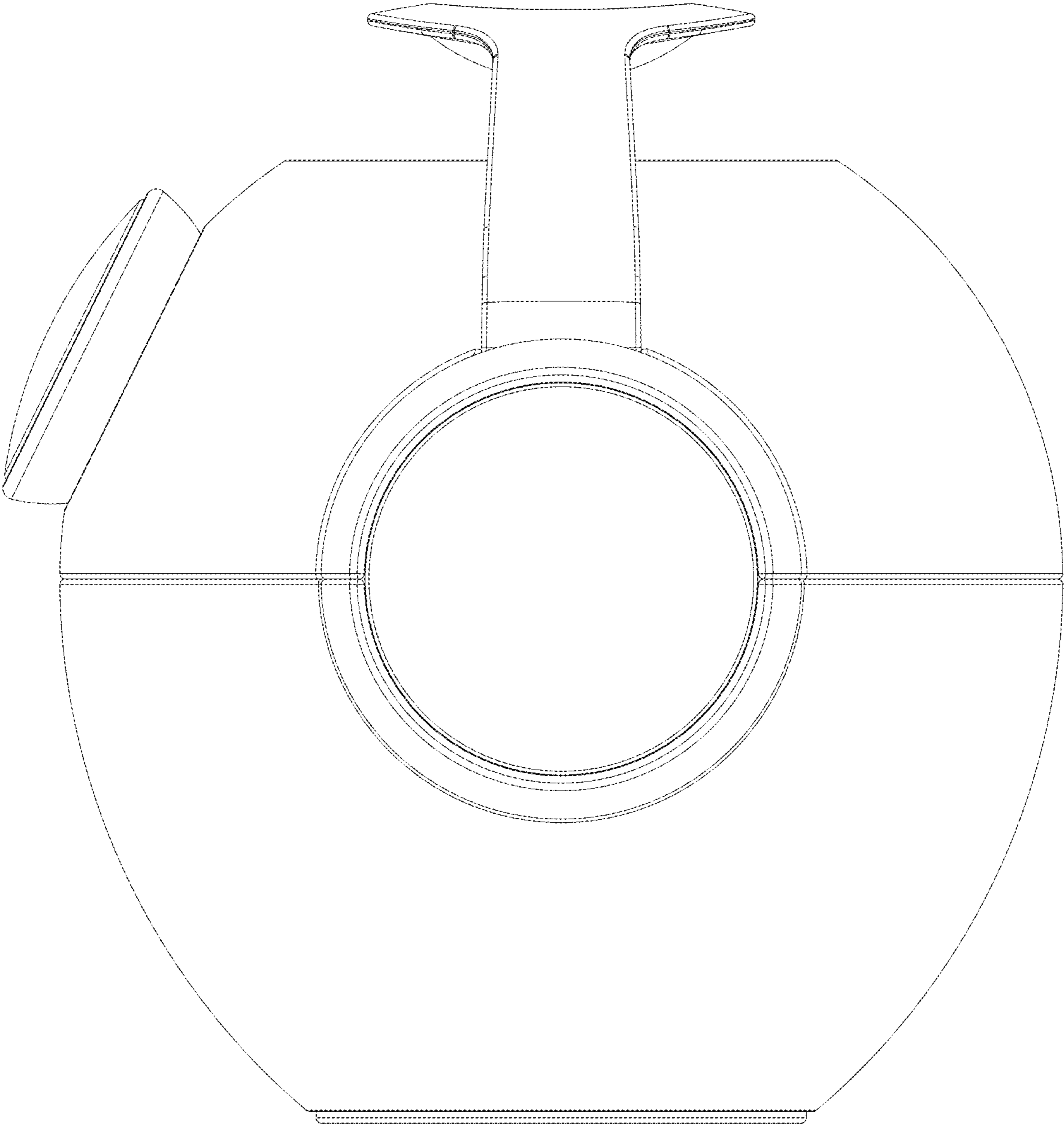


FIG. 4

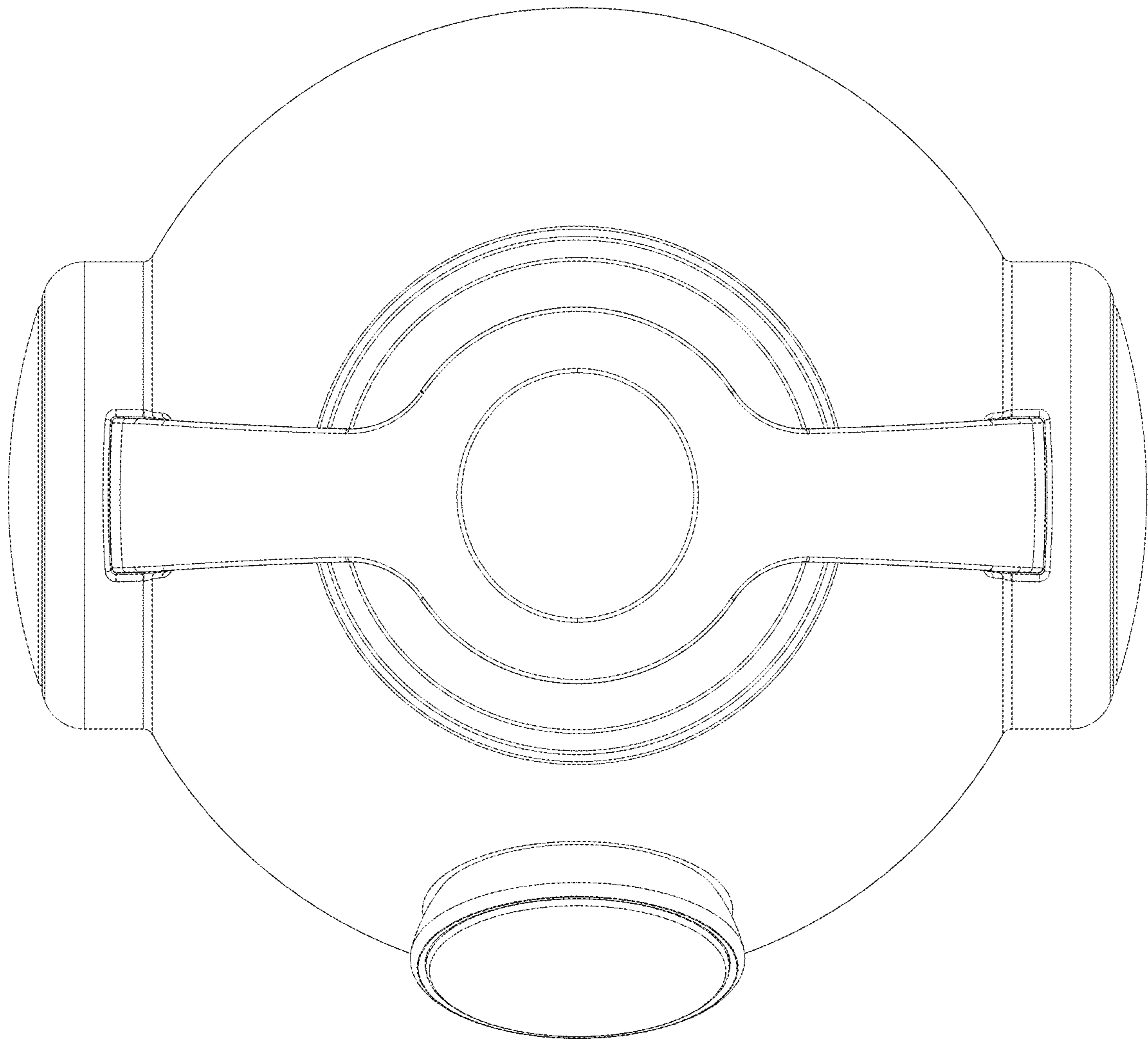


FIG. 5

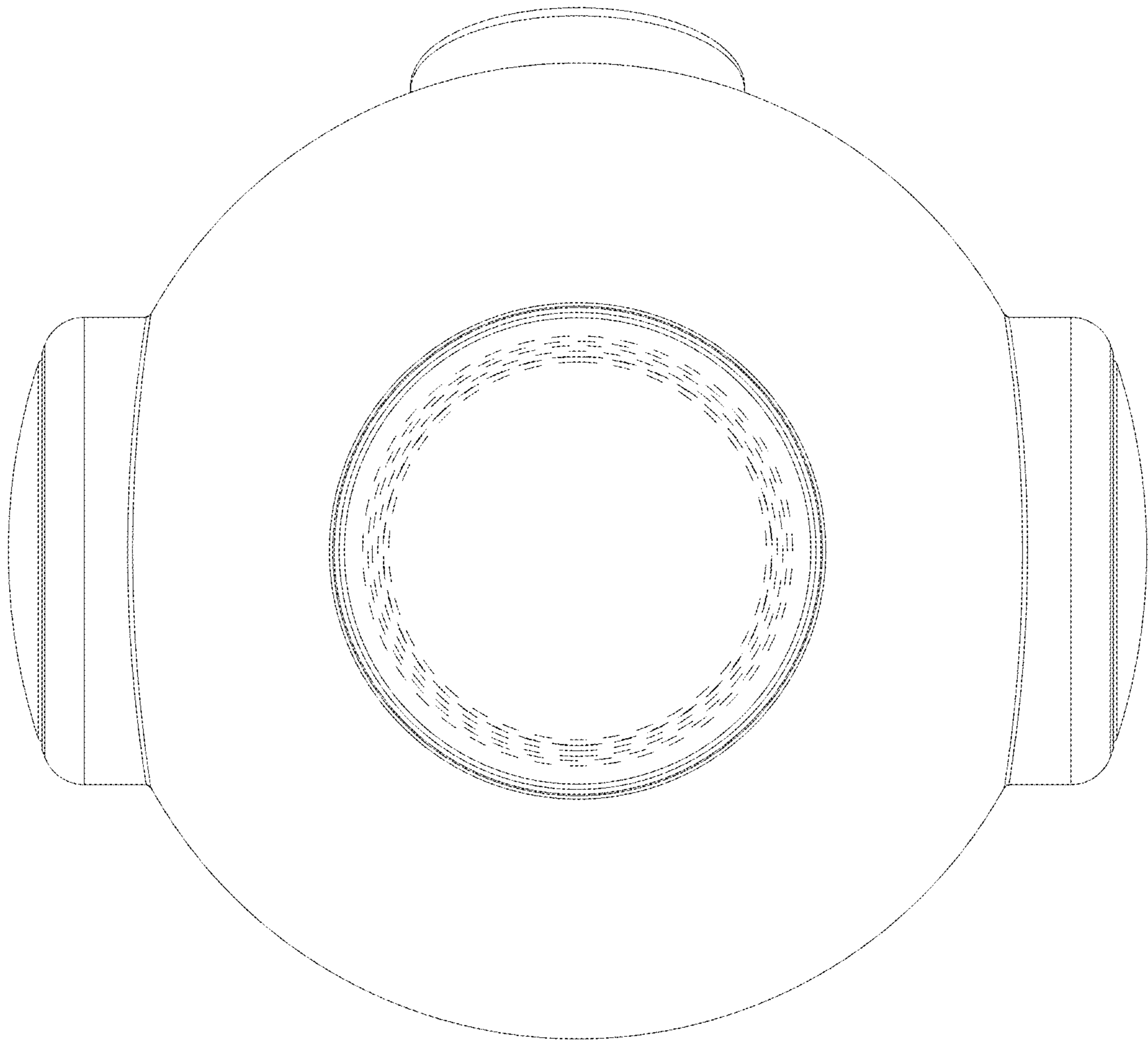


FIG. 6

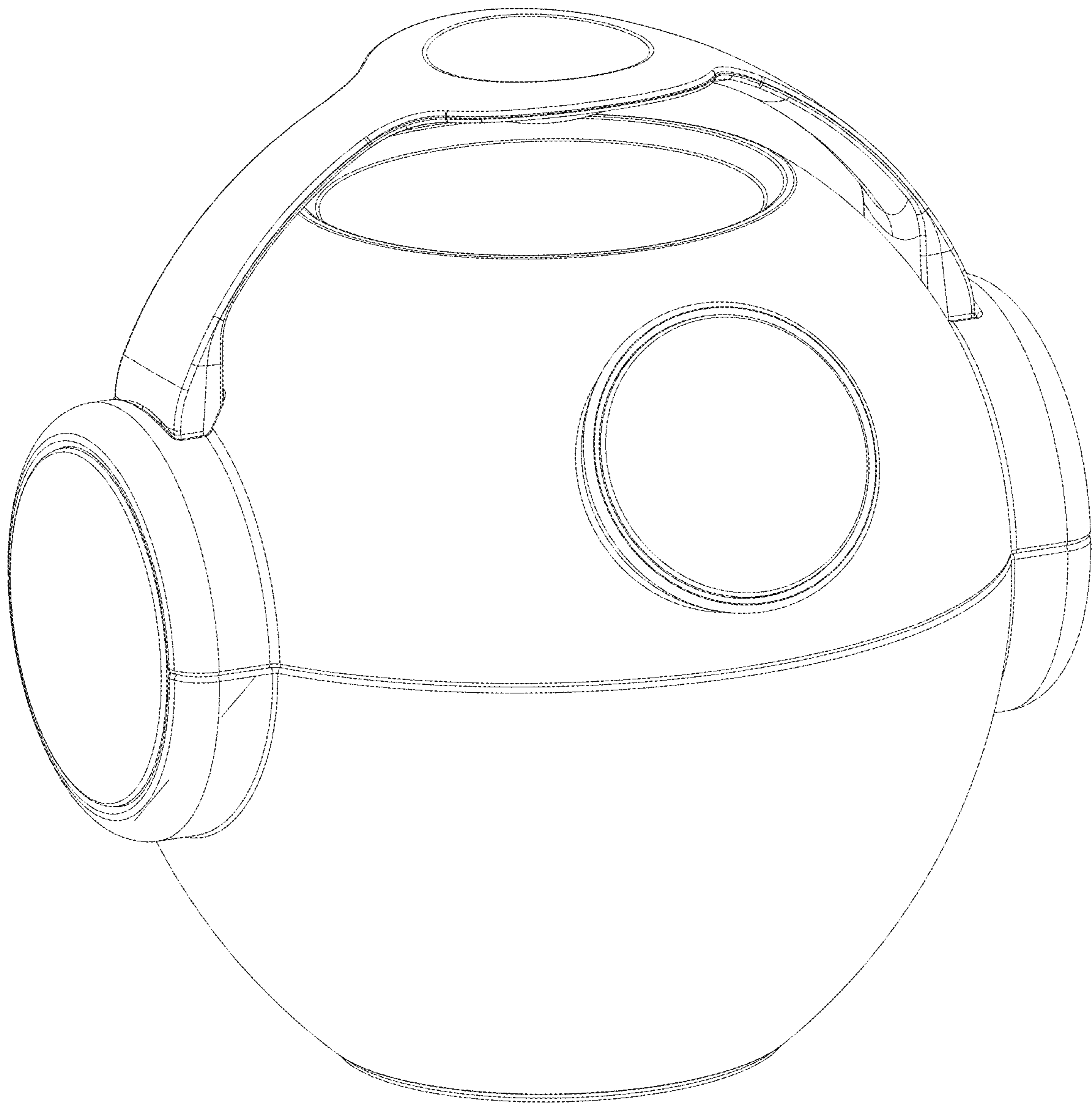


FIG. 7