



US00D941082S

(12) **United States Design Patent** (10) **Patent No.:** **US D941,082 S**
Chen (45) **Date of Patent:** **** Jan. 18, 2022**

(54) **MINI FOOD PROCESSOR** 4,332,188 A * 6/1982 Rhear A47J 37/0623
99/323.5
(71) Applicant: **Shuangma Plastic Manufacturing** D301,364 S * 5/1989 Hunter D22/122
Inc., Zhejiang (CN) D304,262 S * 10/1989 Mays D3/271.9
D434,264 S * 11/2000 Mixides D7/330
(72) Inventor: **Cuihong Chen, Zhejiang (CN)** D450,219 S * 11/2001 Smith D7/538
D521,796 S * 5/2006 Bertulis D7/325
(**) Term: **15 Years** D565,145 S * 3/2008 Studer D22/122
D598,226 S * 8/2009 Byers D6/552
(21) Appl. No.: **29/752,477** D733,498 S * 7/2015 Matharu D7/510
D789,481 S * 6/2017 Rubel D22/122
(22) Filed: **Sep. 28, 2020** 9,795,158 B2 * 10/2017 Carlson A23L 7/187

(30) **Foreign Application Priority Data**

Jun. 15, 2020 (CN) 202030304158.4

(51) **LOC (13) Cl.** **31-00**

(52) **U.S. Cl.**
USPC **D7/384; D7/376; D7/378**

(58) **Field of Classification Search**

USPC D3/271.9; D6/552; D7/325, 330, 372,
D7/376-386, 391, 412-413, 510, 538,
D7/602, 629, 665-666, 669, 673, 679,
D7/693-694; D9/428; D22/122
CPC .. A01K 93/00; A21C 1/02; A21C 1/04; A23L
7/187; A23N 1/00; A23N 1/02; A47J
43/04; A47J 43/24; A47J 43/25; A47J
43/27; A47J 43/042; A47J 43/044; A47J
43/046; A47J 43/0623; A47J 43/0704;
A47J 43/075; A47J 43/0722; A47J
43/0727; B01F 3/00; B01F 3/0807; B01F
3/0853; B01F 13/0059; B01F 13/0064;
B02C 1/08; B02C 2/04; B02C 4/42;
B02C 4/142; B02C 4/143; B02C 4/423;
B02C 13/1835; B28C 5/10; B28C 5/12;
B28C 5/14; B28C 5/16

See application file for complete search history.

(56) **References Cited**

U.S. PATENT DOCUMENTS

3,168,790 A * 2/1965 Creasey A01K 93/00
43/43.11
3,330,266 A * 7/1967 Stephen A47J 37/0704
126/25 R

OTHER PUBLICATIONS

Mini Food Chopper Manual, HOPENE Hand Pull Food Processor.
Date First Available on Amazon.com Jun. 4, 2021. <https://www.amazon.com/dp/B096MG5MFM/ref> (Year: 2021).*

* cited by examiner

Primary Examiner — Ricky Pham
(74) *Attorney, Agent, or Firm* — Prakash Nama; Global
IP Services, PLLC

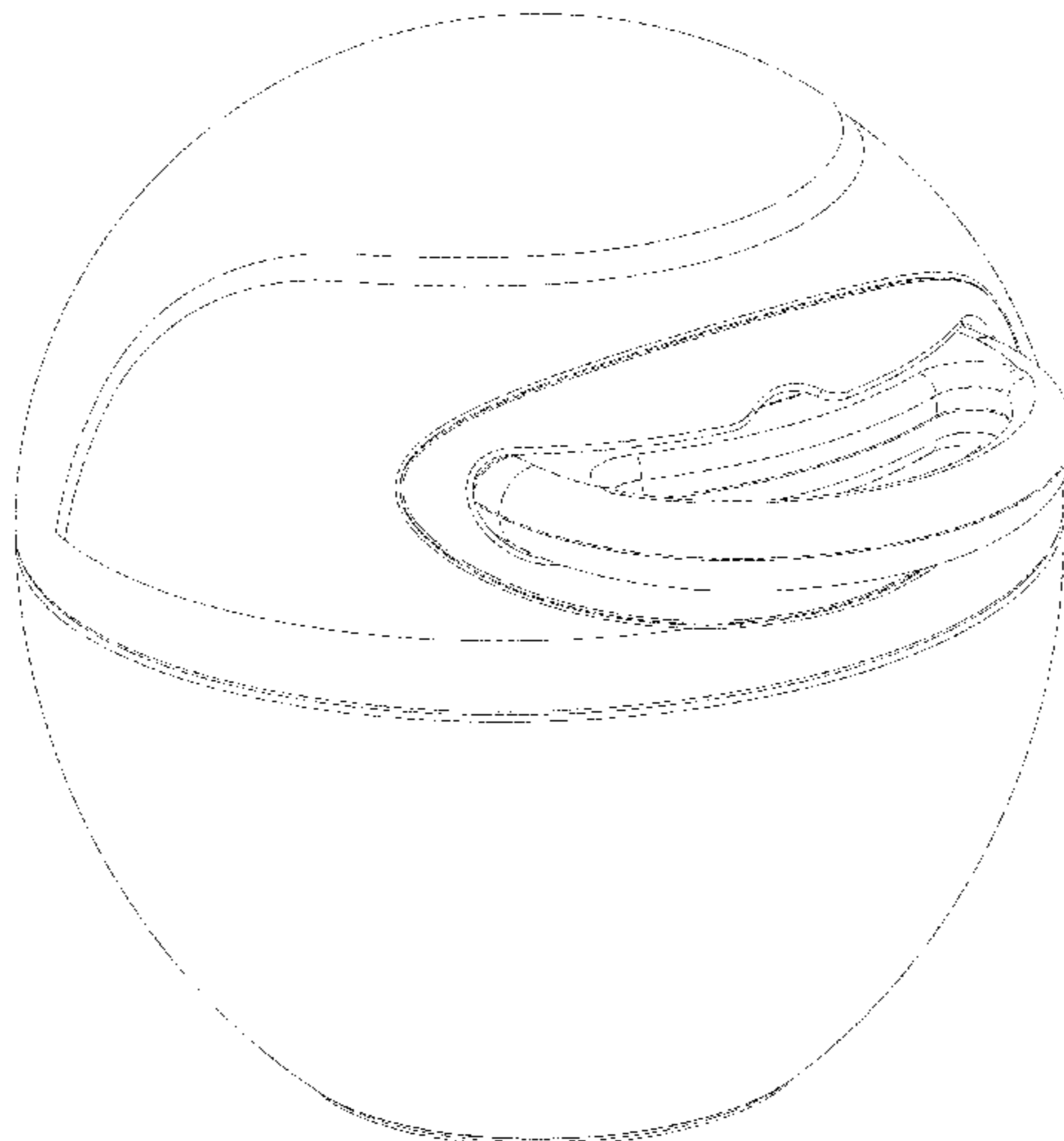
(57) **CLAIM**

The ornamental design for a mini food processor, as shown
and described.

DESCRIPTION

FIG. 1 is a front elevational view of a mini food processor
showing my new design;
FIG. 2 is a rear elevational view thereof;
FIG. 3 is a left side view thereof;
FIG. 4 is a right side view thereof;
FIG. 5 is a top plan view thereof;
FIG. 6 is a bottom plan view thereof; and,
FIG. 7 is a perspective view thereof.
The broken lines shown in mini food processor form no part
of the claimed design.

1 Claim, 7 Drawing Sheets



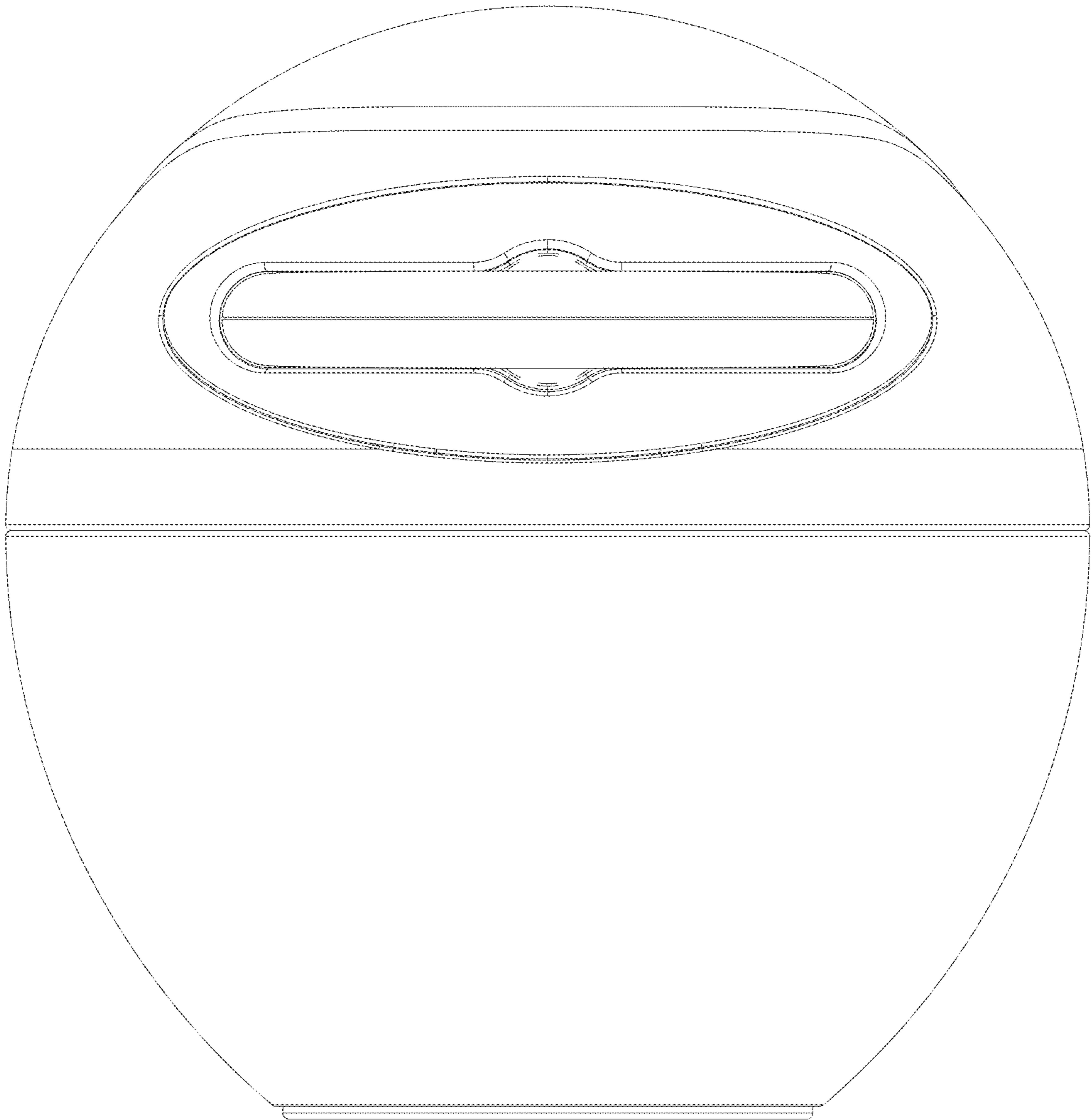


FIG. 1

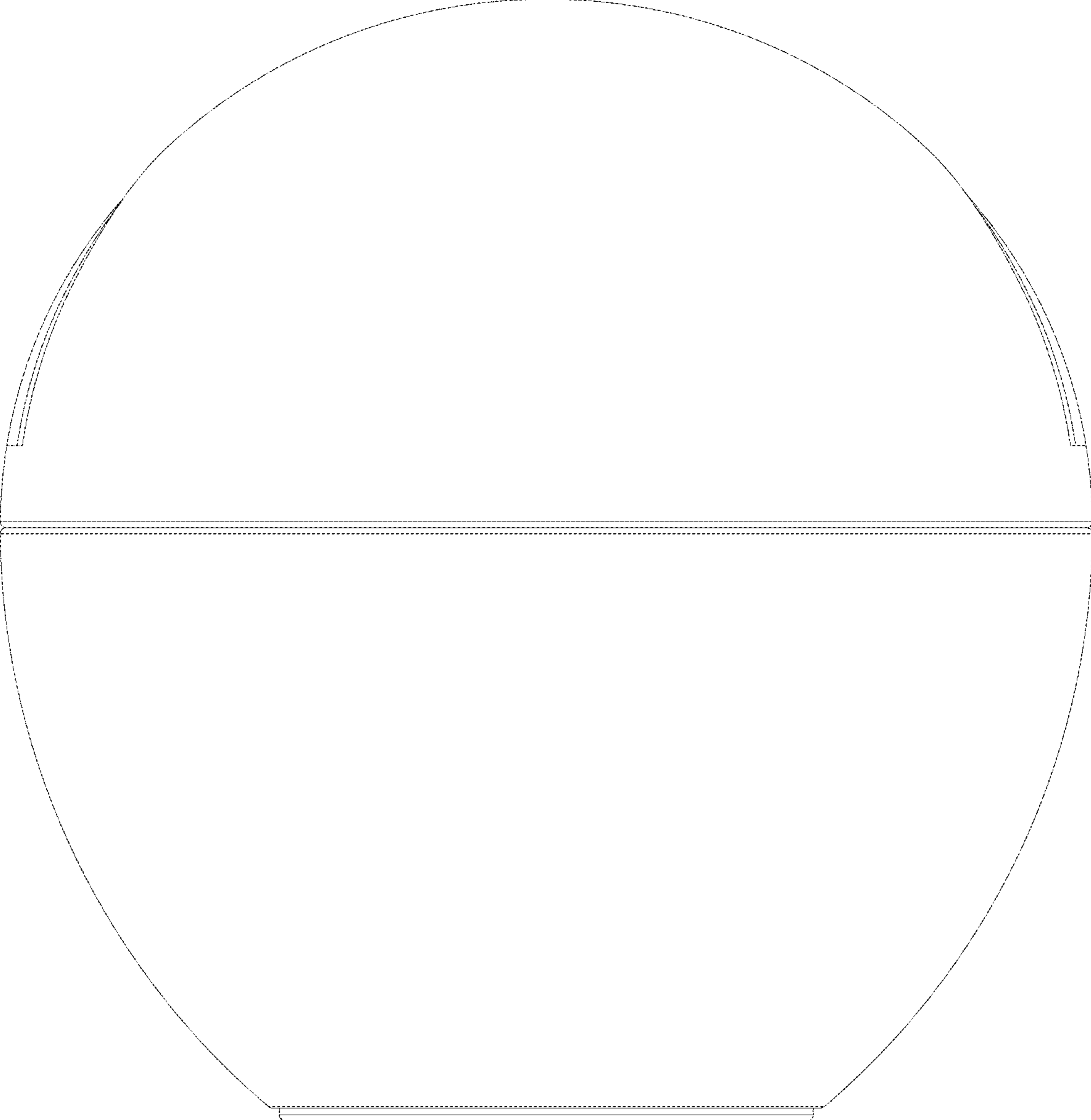


FIG. 2

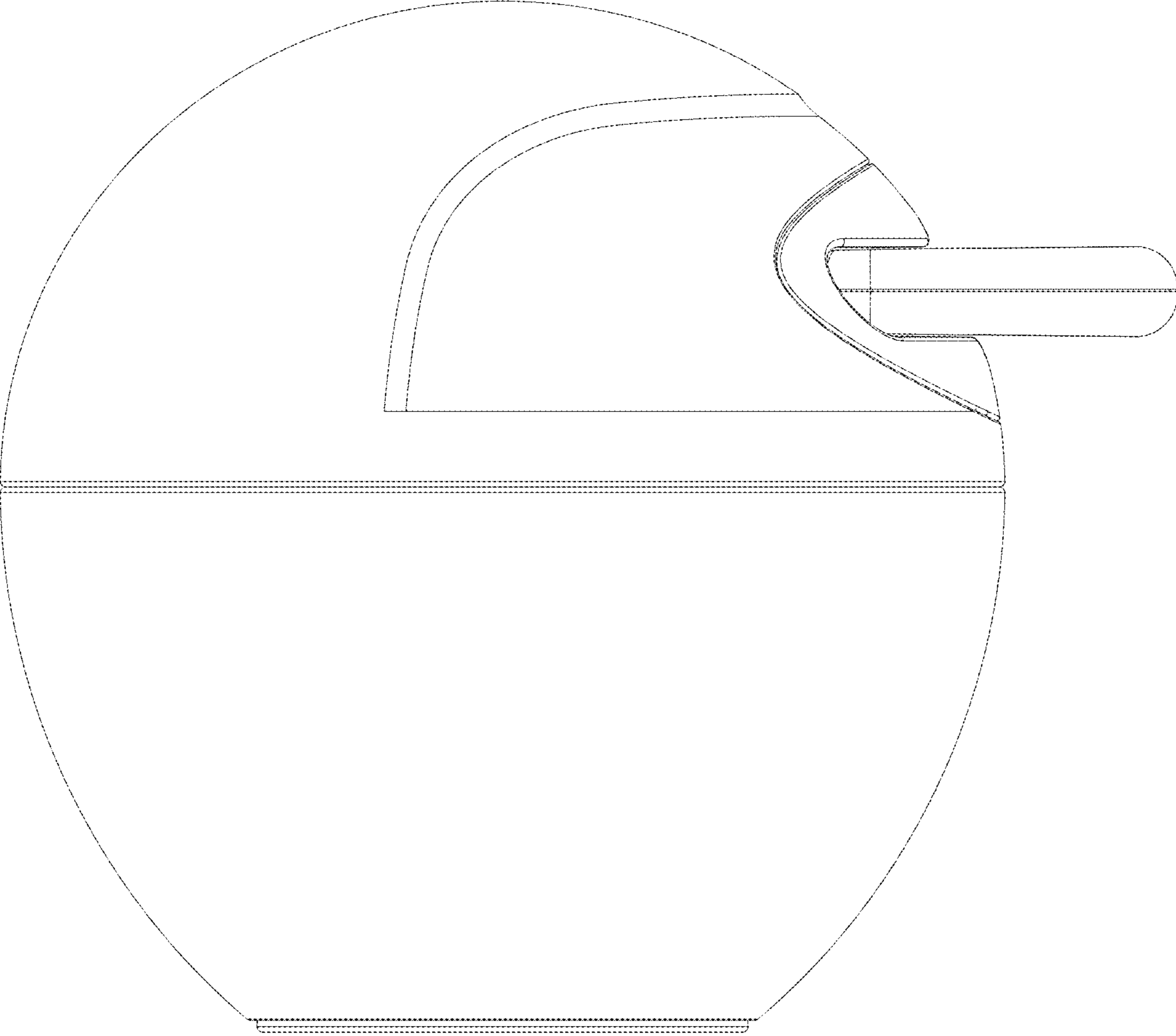


FIG. 3

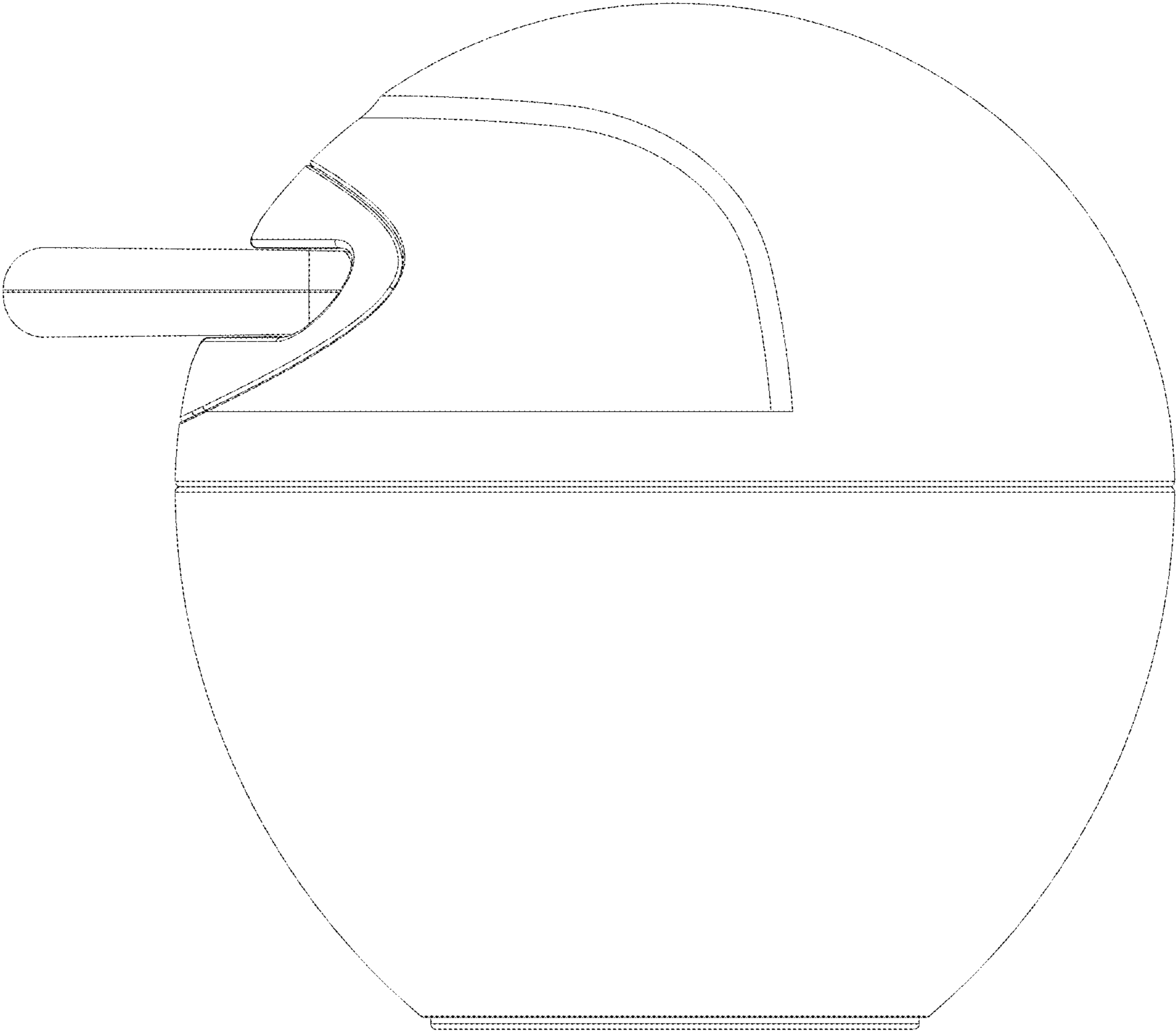


FIG. 4

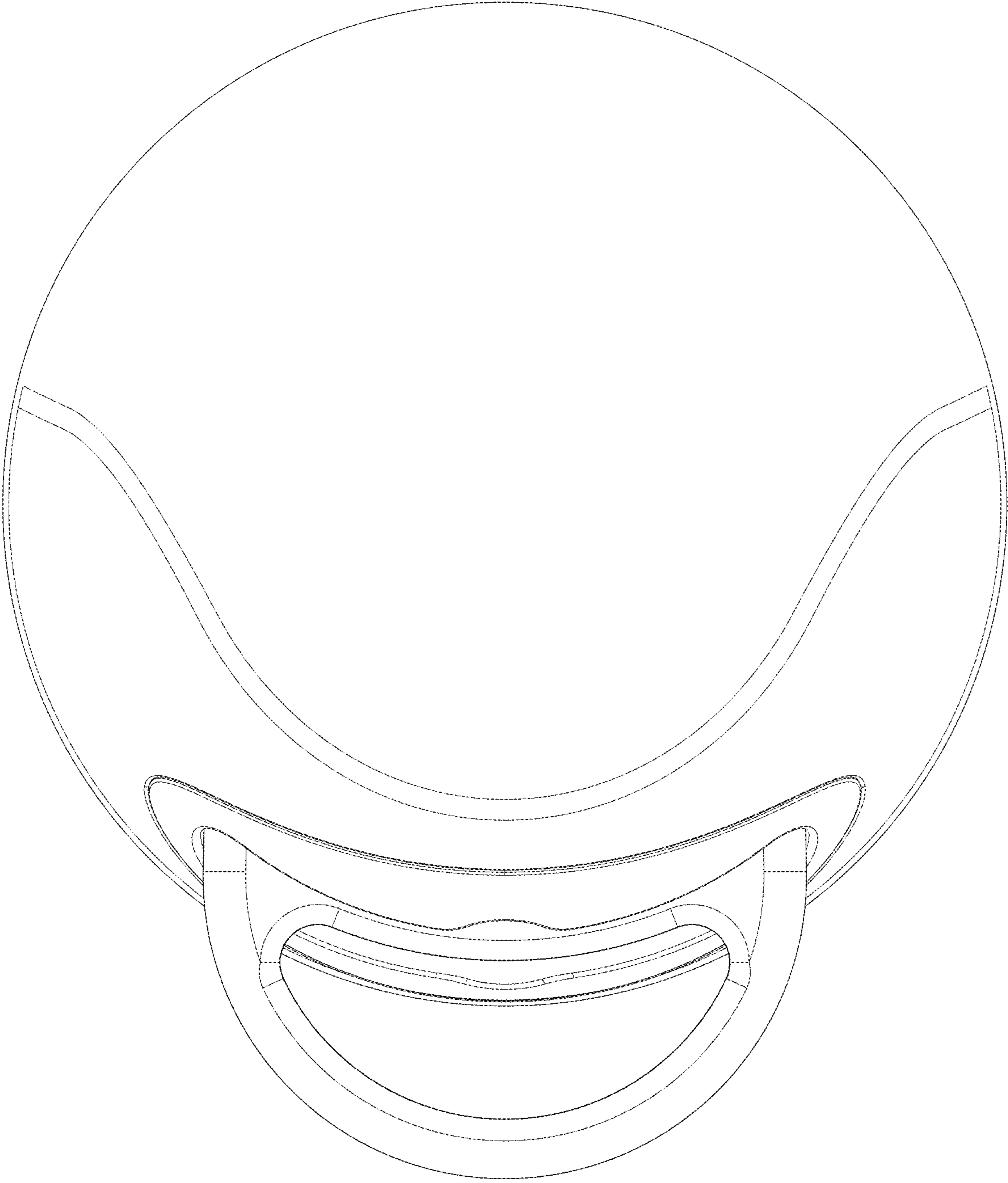


FIG. 5

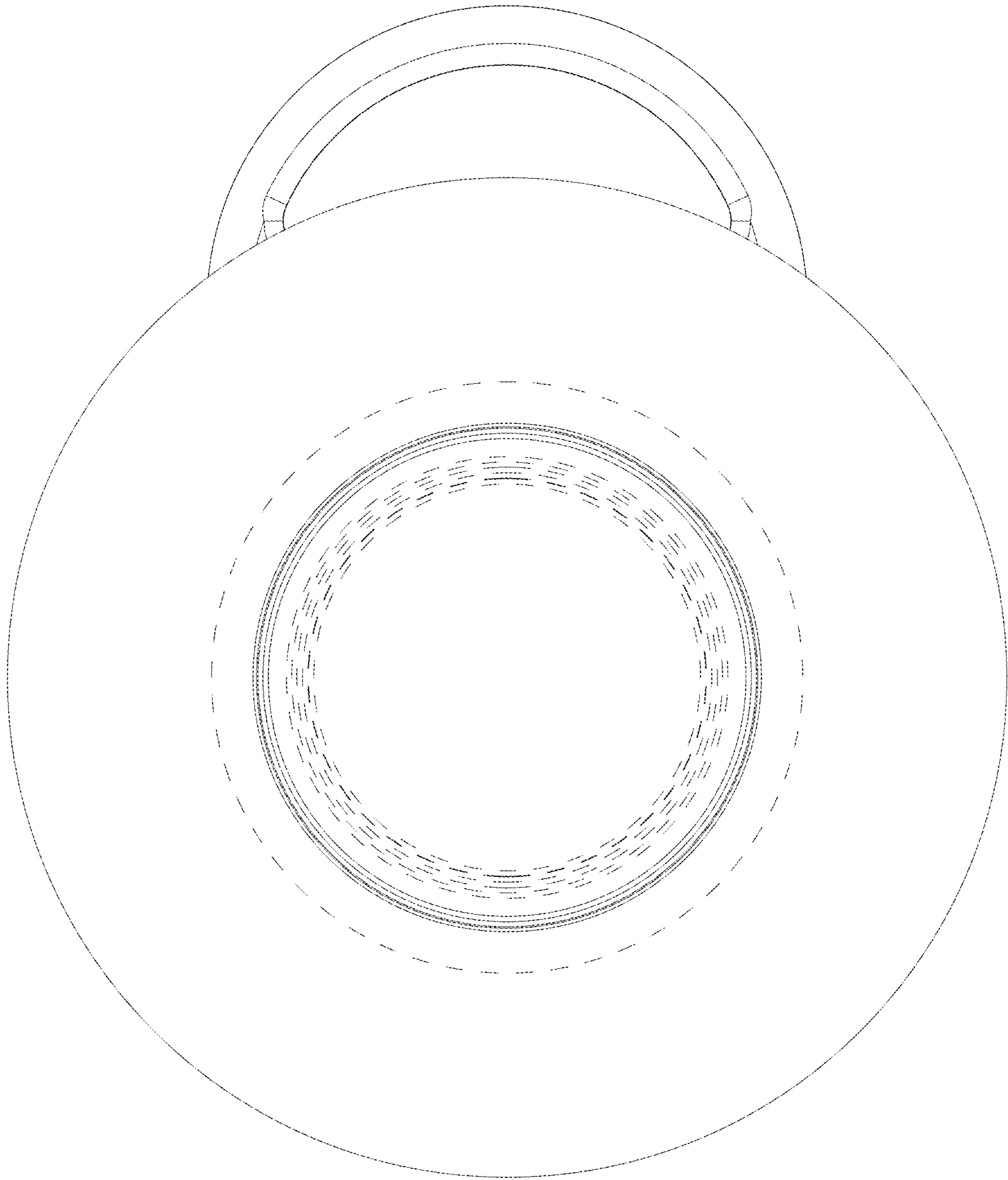


FIG. 6

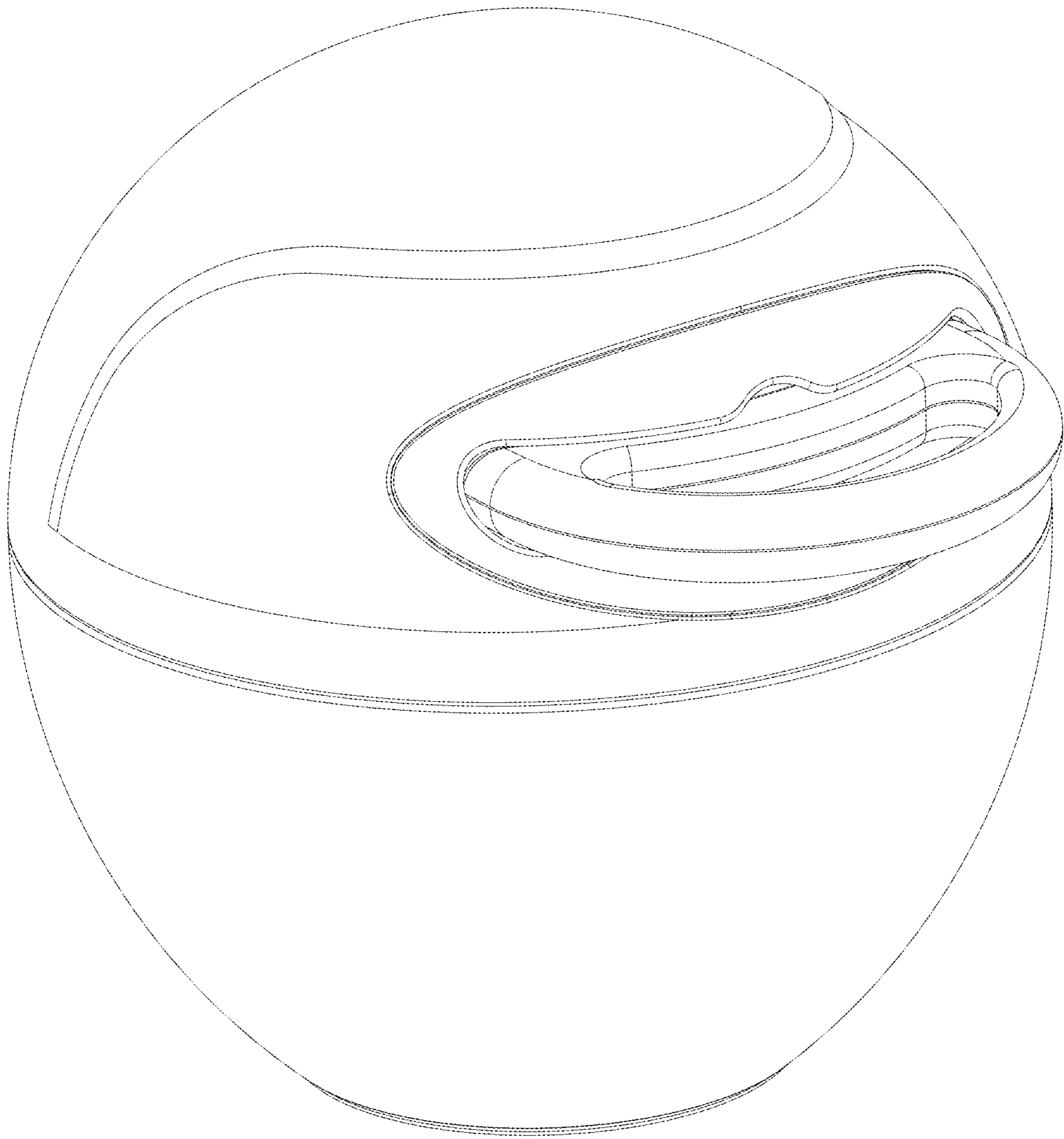


FIG. 7