



US00D941080S

(12) **United States Design Patent**
Chen

(10) **Patent No.:** **US D941,080 S**
(45) **Date of Patent:** **** Jan. 18, 2022**

(54) **FOOD PROCESSOR**

(71) Applicant: **Shuangma Plastic Manufacturing Inc,**
Zhejiang (CN)

(72) Inventor: **Cuihong Chen,** Zhejiang (CN)

(**) Term: **15 Years**

(21) Appl. No.: **29/752,464**

(22) Filed: **Sep. 28, 2020**

(30) **Foreign Application Priority Data**

Apr. 2, 2020 (CN) 202030124888.6

(51) **LOC (13) Cl.** **31-00**

(52) **U.S. Cl.**
USPC **D7/384; D7/376; D7/378**

(58) **Field of Classification Search**
USPC D7/372, 376-386, 391, 412-413, 602,
D7/629, 665-666, 669, 673, 679,
D7/693-694; D9/428

CPC A21C 1/02; A21C 1/04; A23N 1/00; A23N
1/02; A47J 43/04; A47J 43/24; A47J
43/25; A47J 43/27; A47J 43/042; A47J
43/044; A47J 43/046; A47J 43/075; A47J
43/0722; A47J 43/0727; B01F 3/00; B01F
3/0807; B01F 3/0853; B01F 13/0059;
B01F 13/0064; B02C 1/08; B02C 2/04;
B02C 4/42; B02C 4/142; B02C 4/143;
B02C 4/423; B02C 13/1835; B28C 5/10;
B28C 5/12; B28C 5/14; B28C 5/16
See application file for complete search history.

(56) **References Cited**

U.S. PATENT DOCUMENTS

D241,495 S * 9/1976 Mantelet D7/665
6,622,618 B1 * 9/2003 Glucksman A47J 43/24
210/360.1

D538,606 S * 3/2007 Hood D7/665
D603,226 S * 11/2009 Hood D7/629
7,621,213 B2 * 11/2009 Wong A47J 43/24
34/58
D614,457 S * 4/2010 Jossem D7/679
D672,211 S * 12/2012 Nie D7/665
D708,903 S * 7/2014 Wong D7/413
D821,828 S * 7/2018 Chen D7/693
D843,164 S * 3/2019 Chen D7/391
D859,978 S * 9/2019 Barrett D9/428
D873,628 S * 1/2020 Chen D7/673
D906,066 S * 12/2020 Lu D7/693

OTHER PUBLICATIONS

Cambom Manual Food Chopper. Date First Available on Amazon.
com Oct. 28, 2017. <https://www.amazon.com/dp/B076Y86MTT/ref>
(Year: 2017).*

* cited by examiner

Primary Examiner — Ricky Pham

(74) *Attorney, Agent, or Firm* — Prakash Nama; Global
IP Services, PLLC

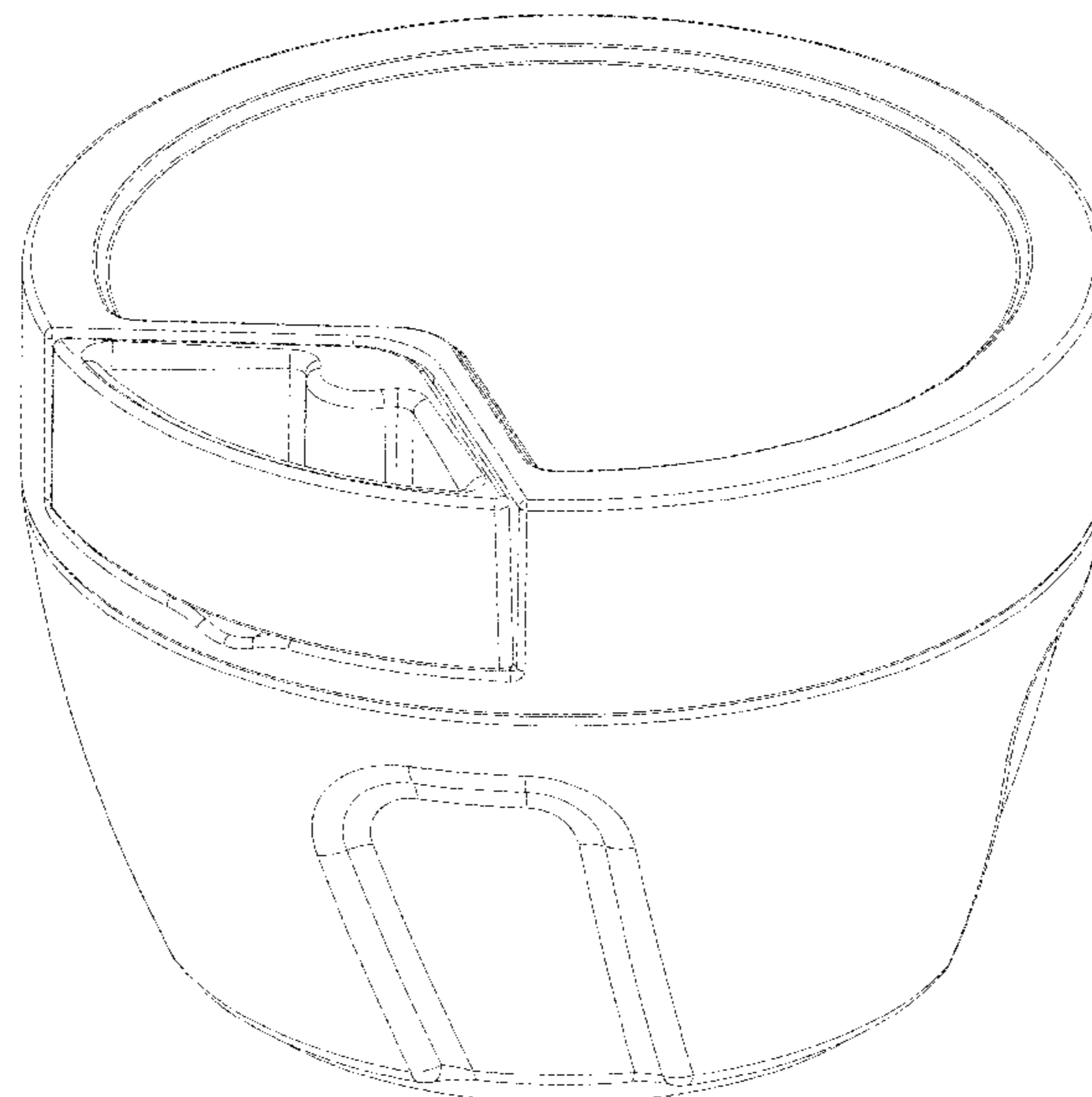
(57) **CLAIM**

The ornamental design for a food processor, as shown and
described.

DESCRIPTION

FIG. 1 is a front elevational view of a food processor
showing my new design;
FIG. 2 is a rear elevational view thereof;
FIG. 3 is a left side view thereof;
FIG. 4 is a right side view thereof;
FIG. 5 is a top plan view thereof;
FIG. 6 is a bottom plan view thereof; and,
FIG. 7 is a perspective view thereof.
The broken lines shown in food processor form no part of
the claimed design.

1 Claim, 7 Drawing Sheets



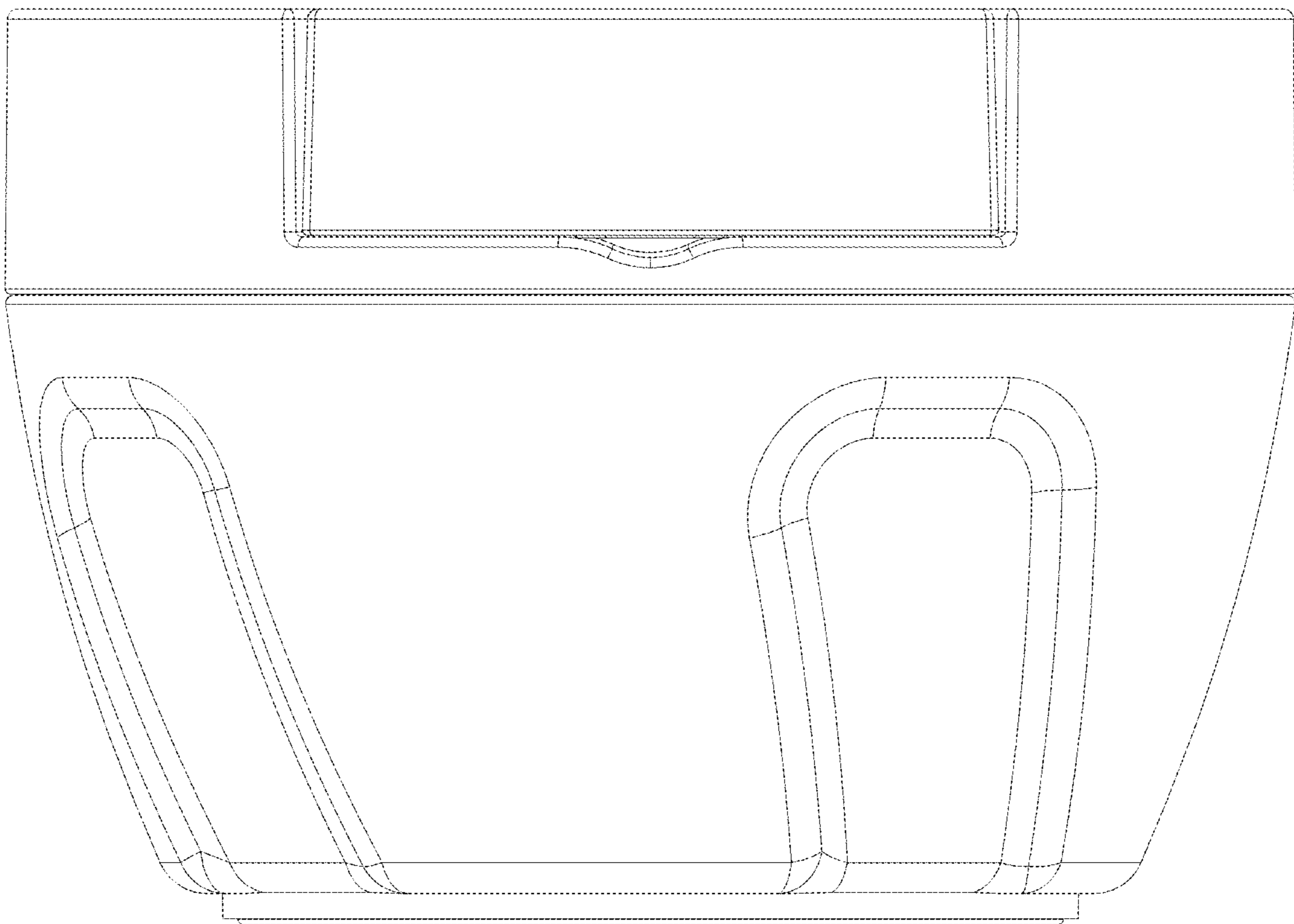


FIG. 1

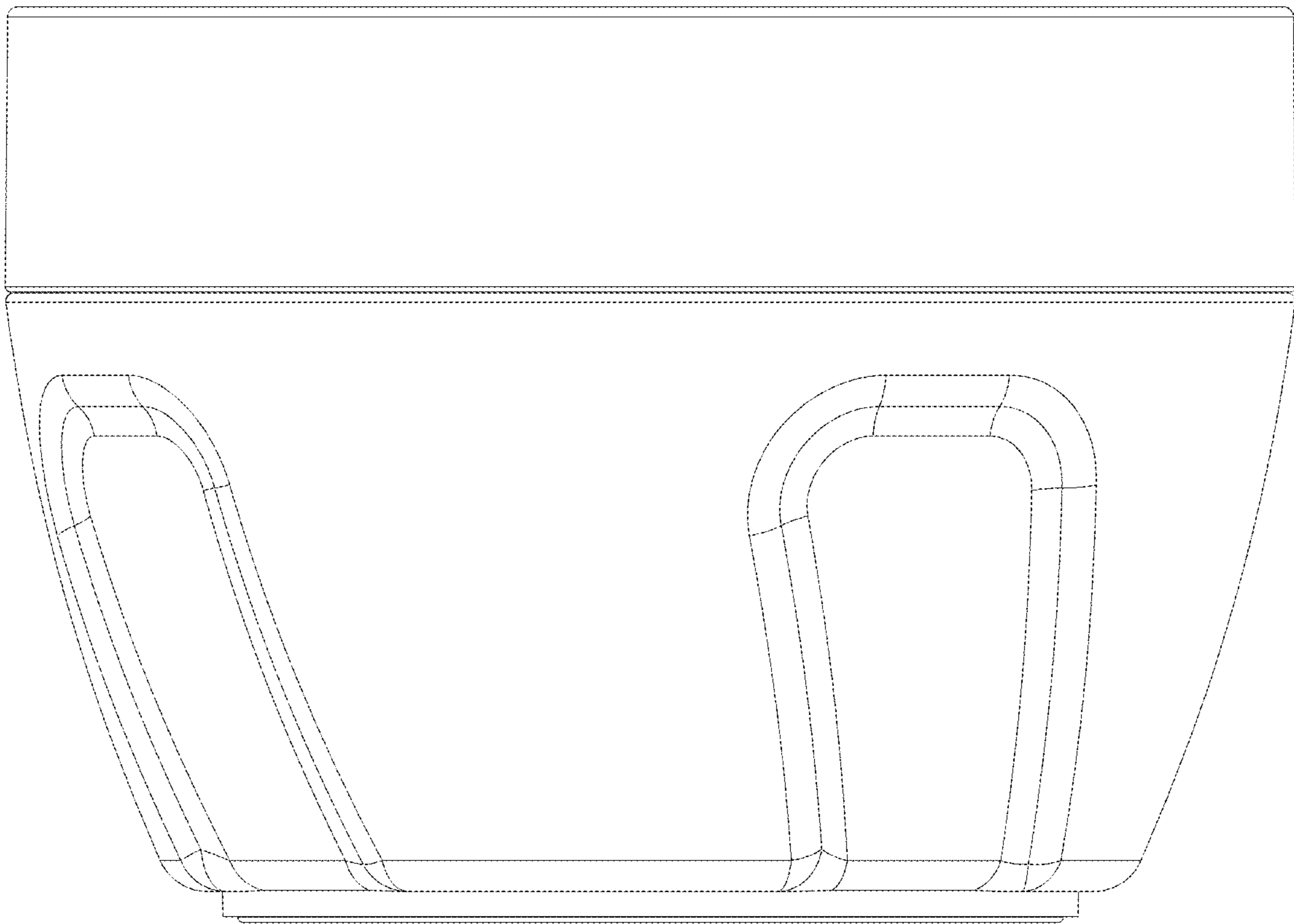


FIG. 2

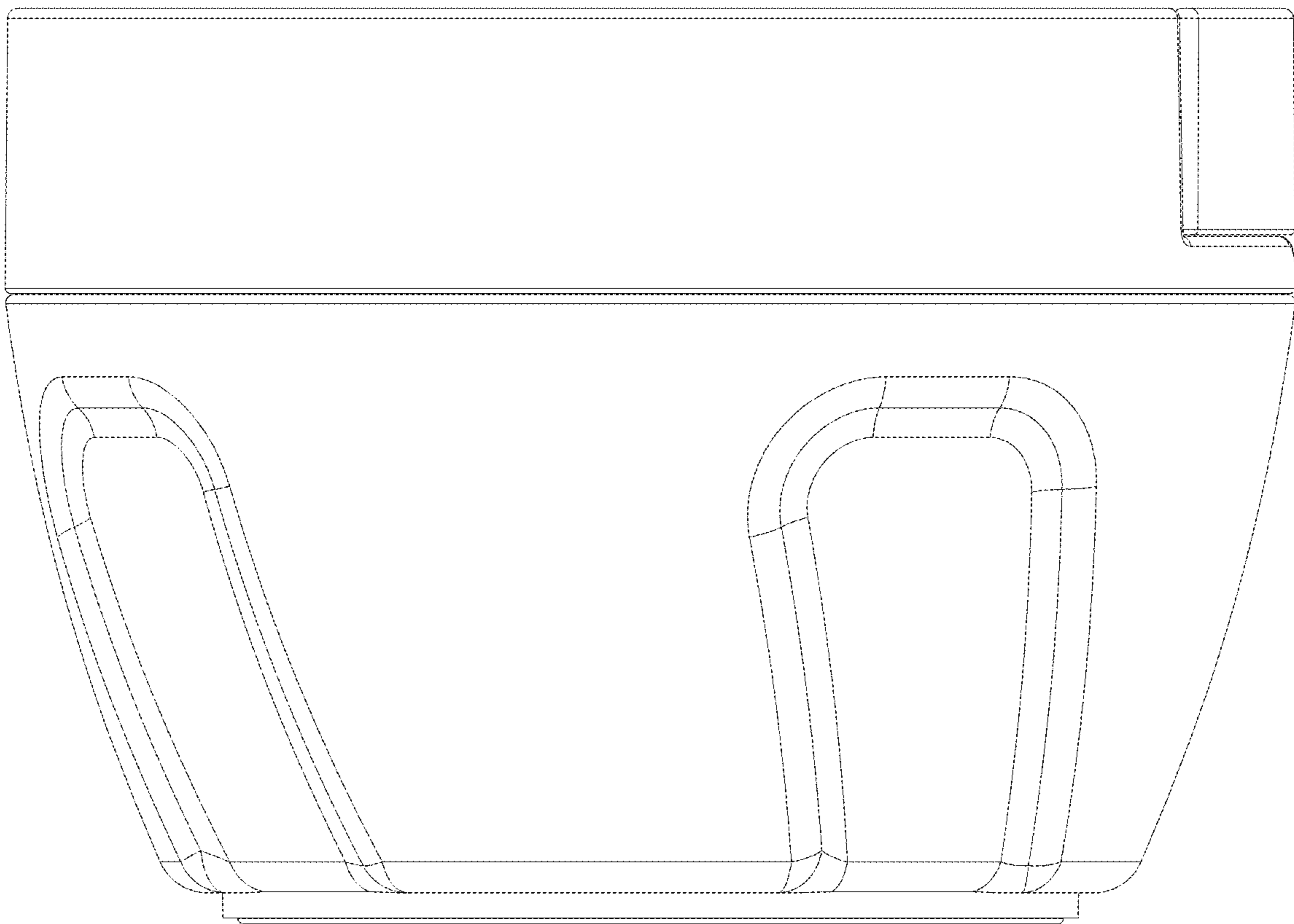


FIG. 3

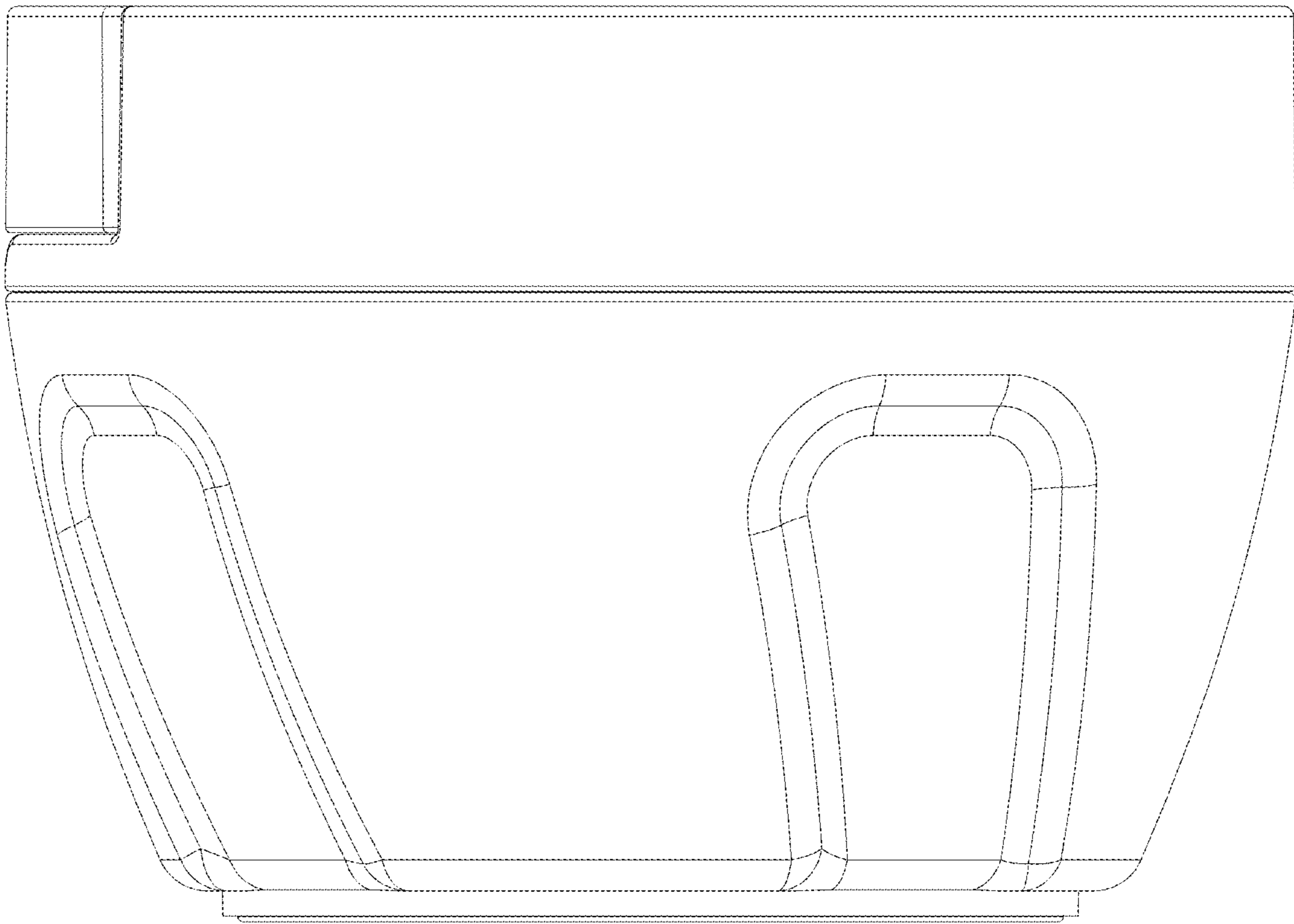


FIG. 4



FIG. 5

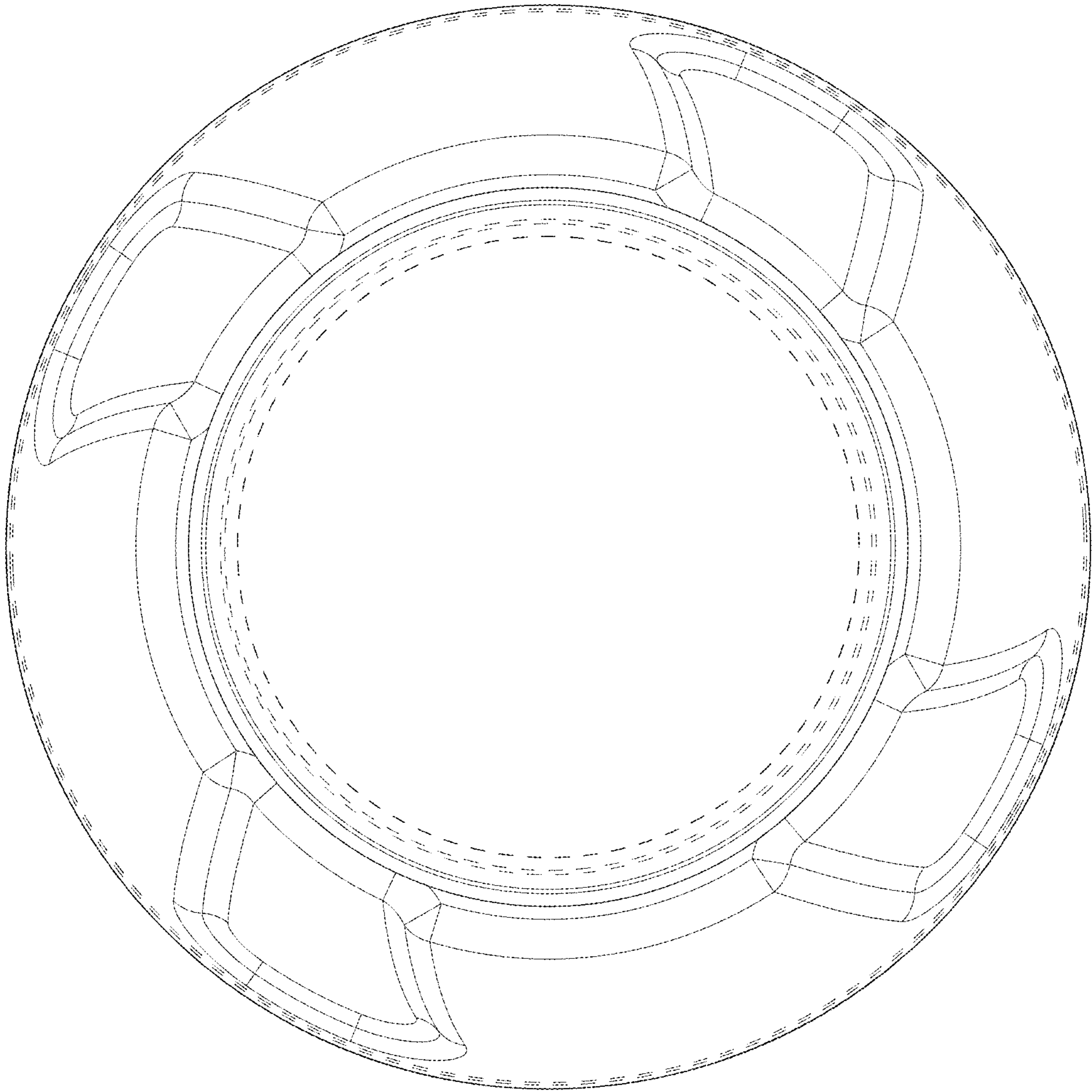


FIG. 6

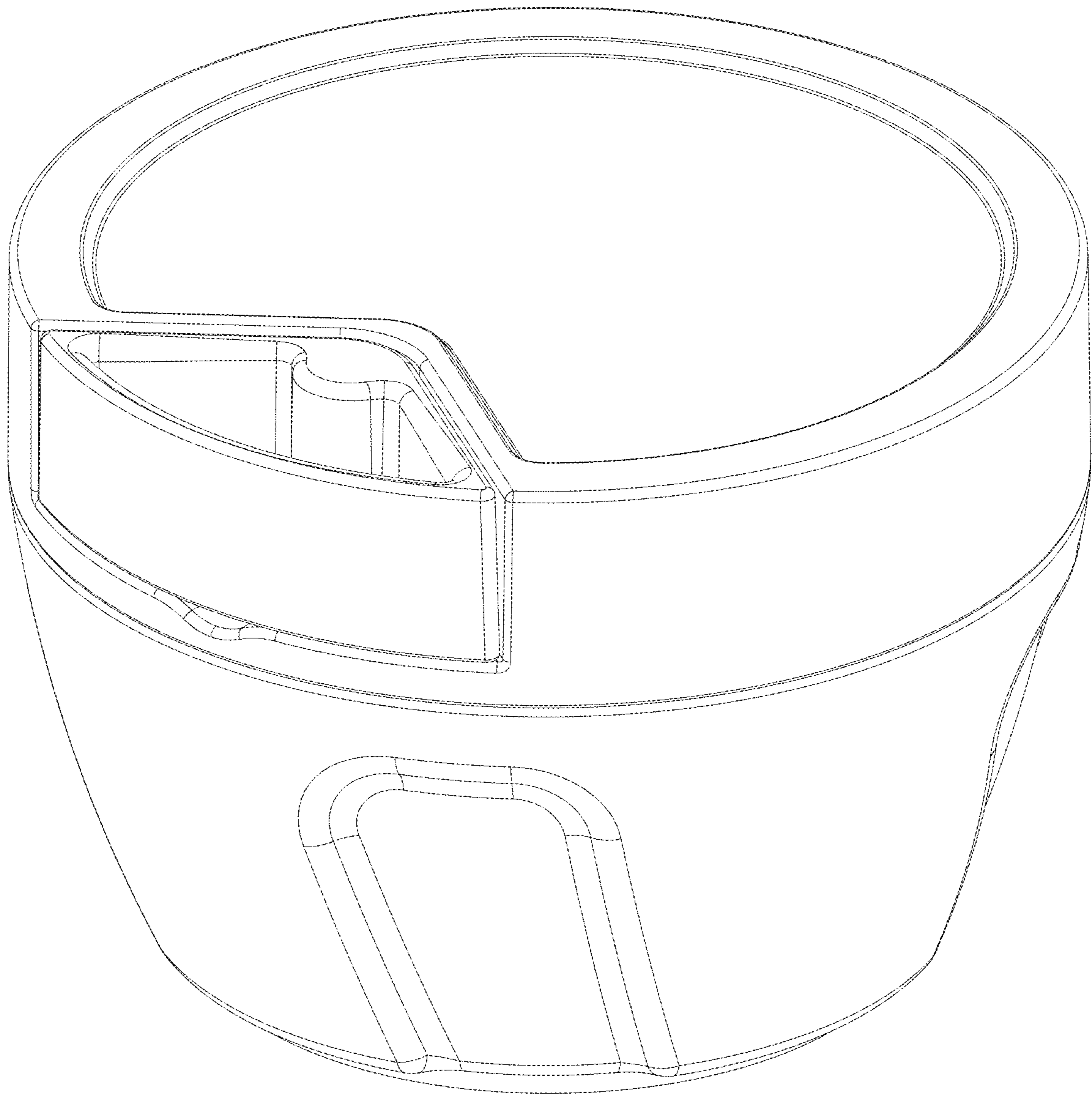


FIG. 7