



US00D941079S

(12) **United States Design Patent** (10) **Patent No.:** **US D941,079 S**
Chen (45) **Date of Patent:** **** Jan. 18, 2022**

(54) **FOOD SLICER AND GRATER DEVICE**

(71) Applicant: **Shuangma Plastic Manufacturing Inc,**
Zhejiang (CN)

(72) Inventor: **Cuihong Chen,** Zhejiang (CN)

(**) Term: **15 Years**

(21) Appl. No.: **29/752,488**

(22) Filed: **Sep. 28, 2020**

(30) **Foreign Application Priority Data**

Apr. 15, 2020 (CN) 202030151389.6

(51) **LOC (13) Cl.** **31-00**

(52) **U.S. Cl.**
USPC **D7/381; D7/373**

(58) **Field of Classification Search**
USPC D7/372-374, 376-386, 412-413, 602,
D7/629, 665-666, 669, 679, 693-694;
D32/13

CPC A21C 1/02; A21C 1/04; A23N 1/00; A23N
1/02; A47J 42/04; A47J 43/04; A47J
43/24; A47J 43/25; A47J 43/27; A47J
43/042; A47J 43/044; A47J 43/046; A47J
43/0623; A47J 43/0704; A47J 43/075;
A47J 43/0722; A47J 43/0727; B01F 3/00;
B01F 3/0807; B01F 3/0853; B01F
13/0059; B01F 13/0064; B02C 1/08;
B02C 2/04; B02C 4/42; B02C 4/142;
B02C 4/143; B02C 4/423; B02C 13/1835;
B28C 5/10; B28C 5/12; B28C 5/14;
B28C 5/16; F25C 5/046

See application file for complete search history.

(56) **References Cited**

U.S. PATENT DOCUMENTS

2,671,617 A *	3/1954	Talge	A47J 42/04 241/247
D176,546 S *	1/1956	Moore	D7/374
2,902,226 A *	9/1959	Moore	F25C 5/046 241/100
D295,360 S *	4/1988	Pandolfi	D7/373
D372,835 S *	8/1996	Leverrier	D7/372
D390,745 S *	2/1998	Leverrier	D7/381
D727,088 S *	4/2015	Chen	D7/374
D756,700 S *	5/2016	Warman	D7/373
D873,511 S *	1/2020	Buzruk	D32/13

* cited by examiner

Primary Examiner — Ricky Pham

(74) *Attorney, Agent, or Firm* — Prakash Nama; Global
IP Services, PLLC

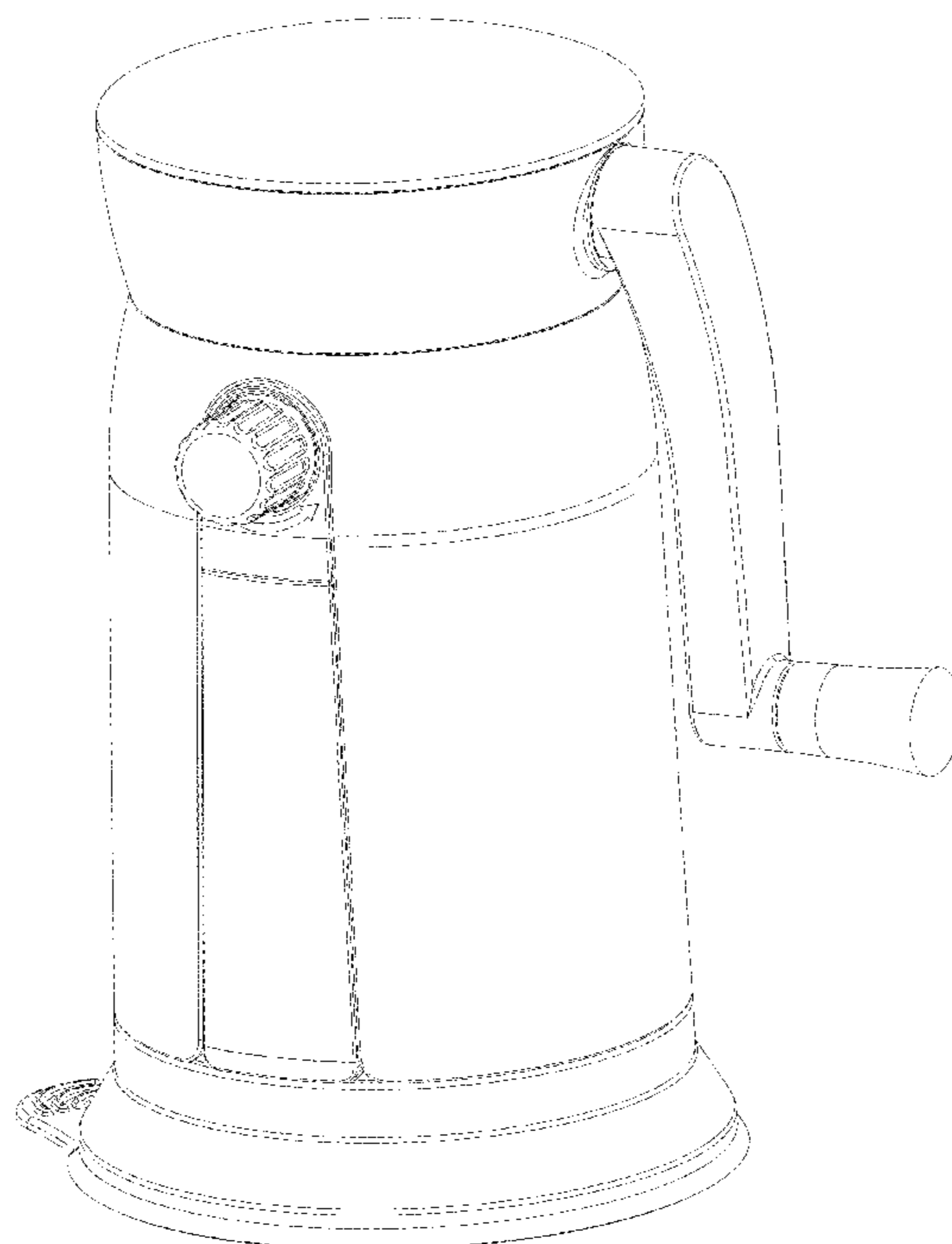
(57) **CLAIM**

The ornamental design for a food slicer and grater device, as
shown and described.

DESCRIPTION

FIG. 1 is a front elevational view of a food slicer and grater
device showing my new design;
FIG. 2 is a rear elevational view thereof;
FIG. 3 is an enlarged left side view thereof;
FIG. 4 is an enlarged right side view thereof;
FIG. 5 is a top plan view thereof;
FIG. 6 is a bottom plan view thereof; and,
FIG. 7 is a perspective view thereof.
The broken lines shown in food slicer and grater device form
no part of the claimed design.

1 Claim, 7 Drawing Sheets



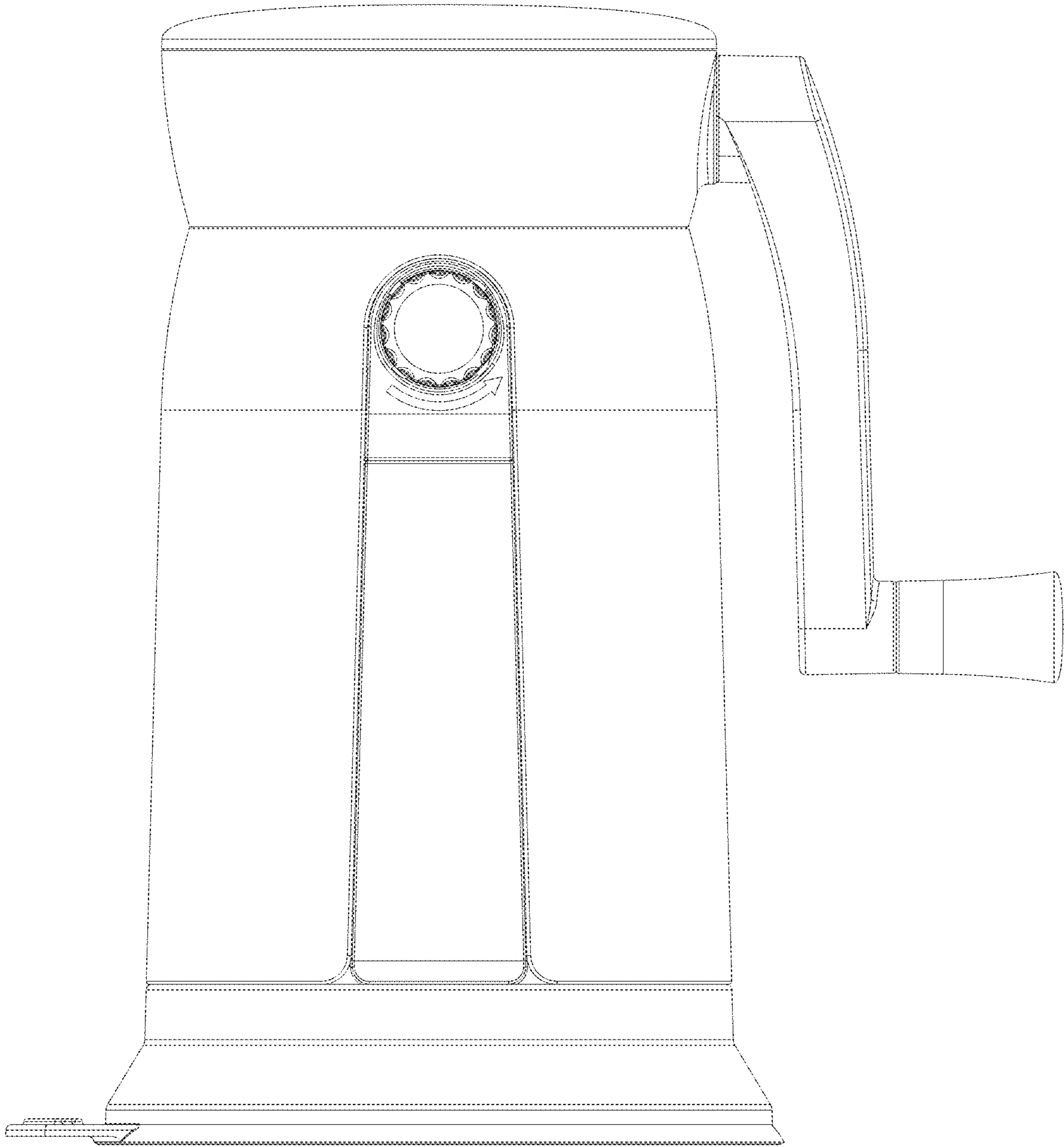


FIG. 1

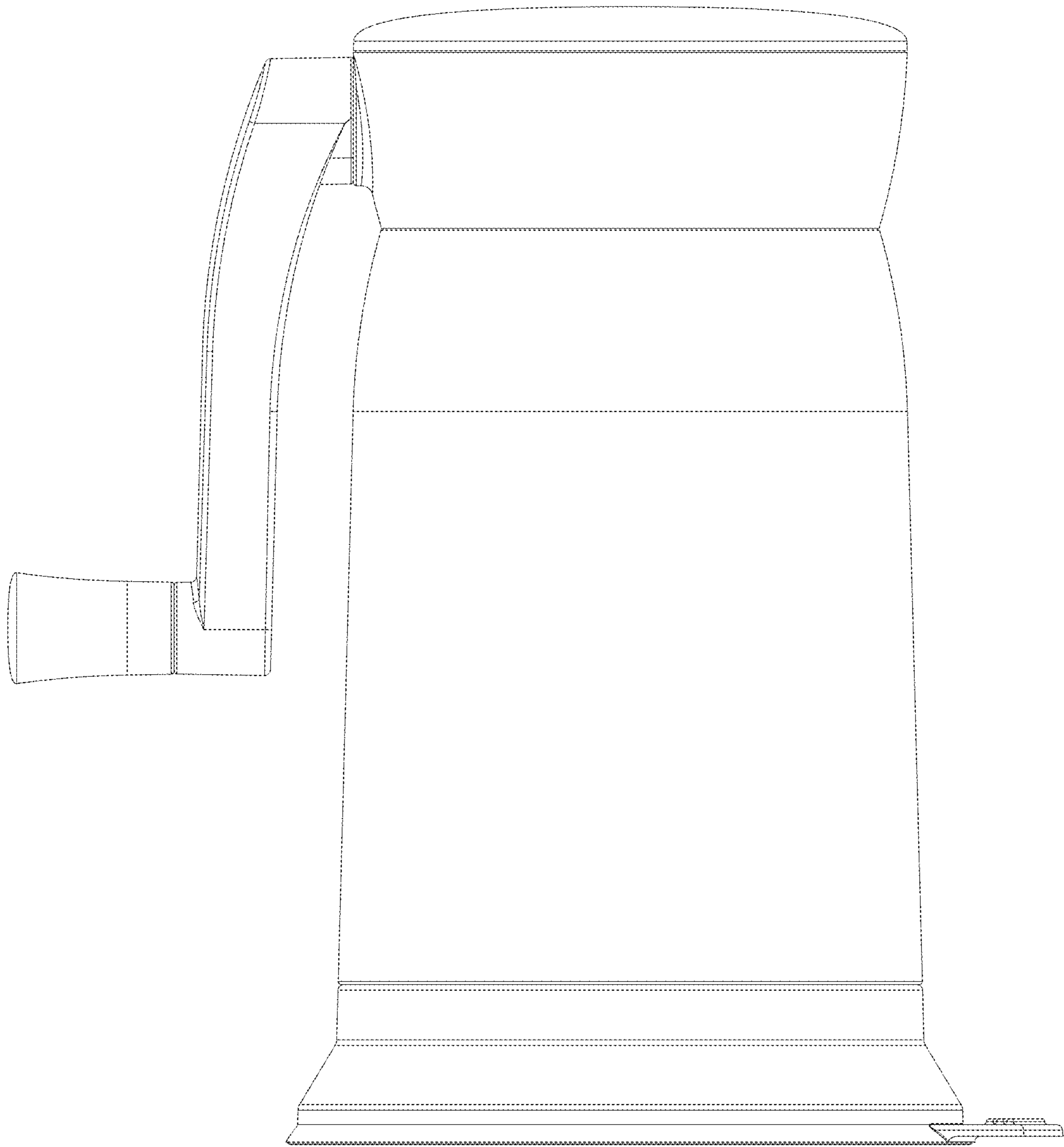


FIG. 2

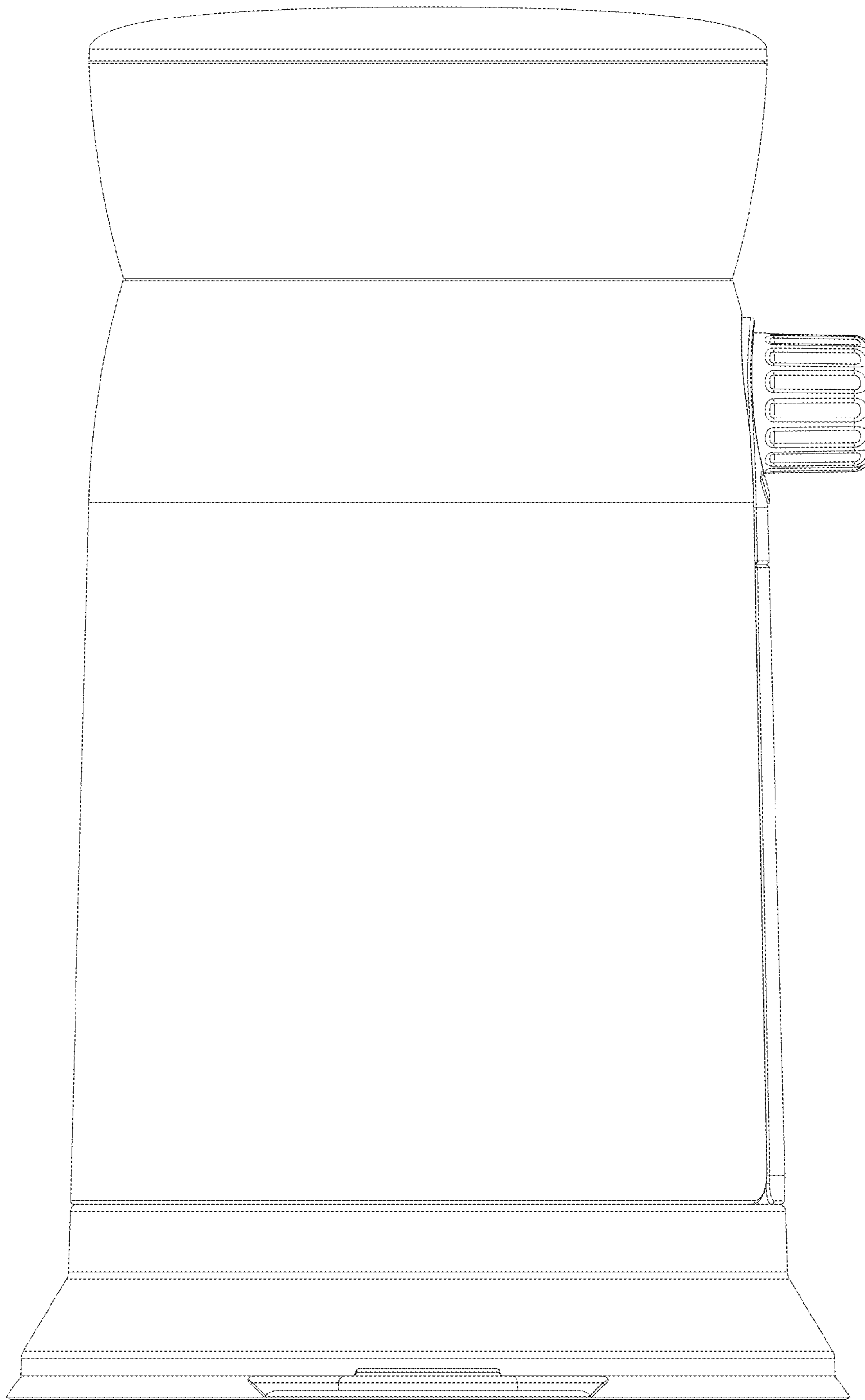


FIG. 3

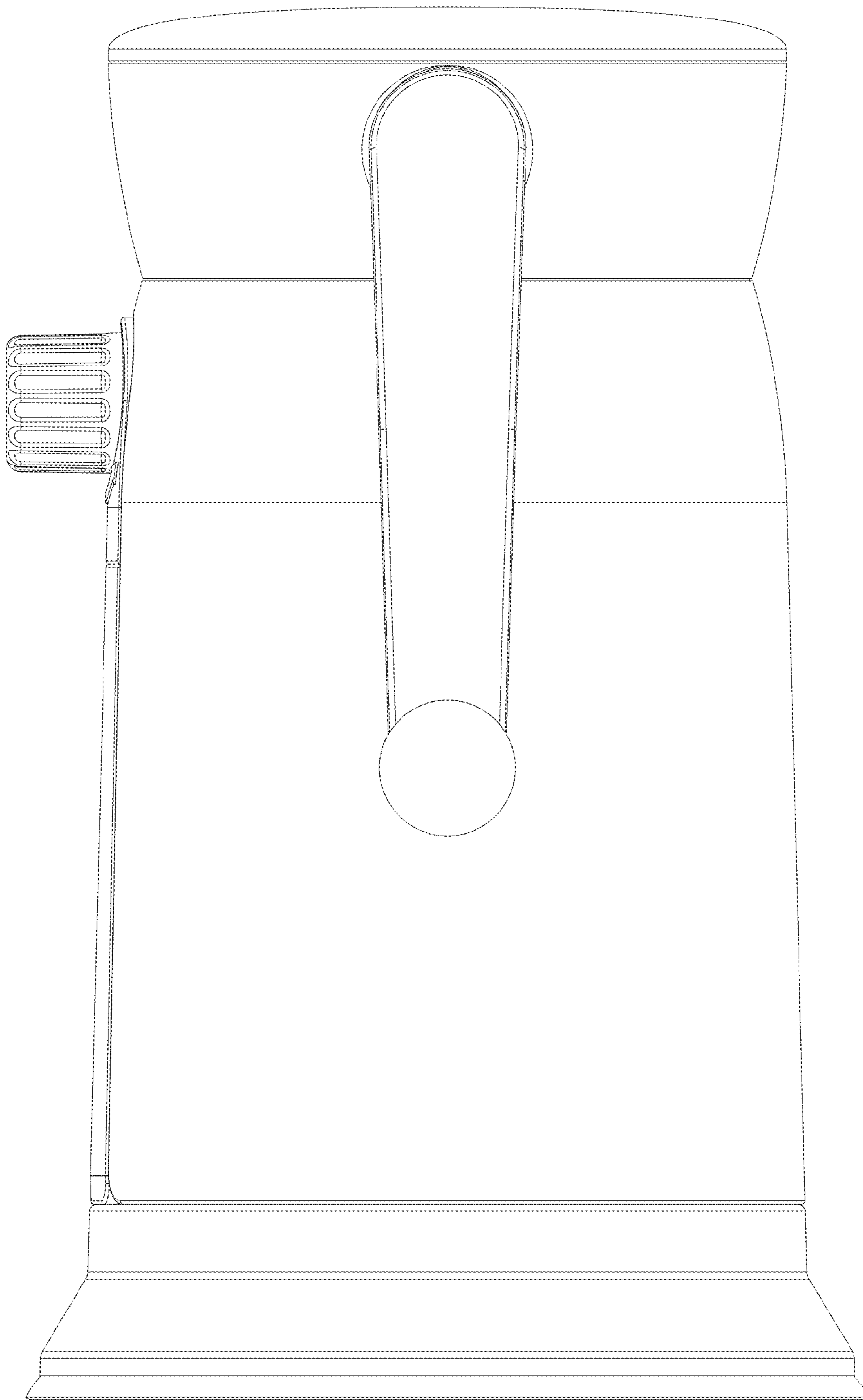


FIG. 4

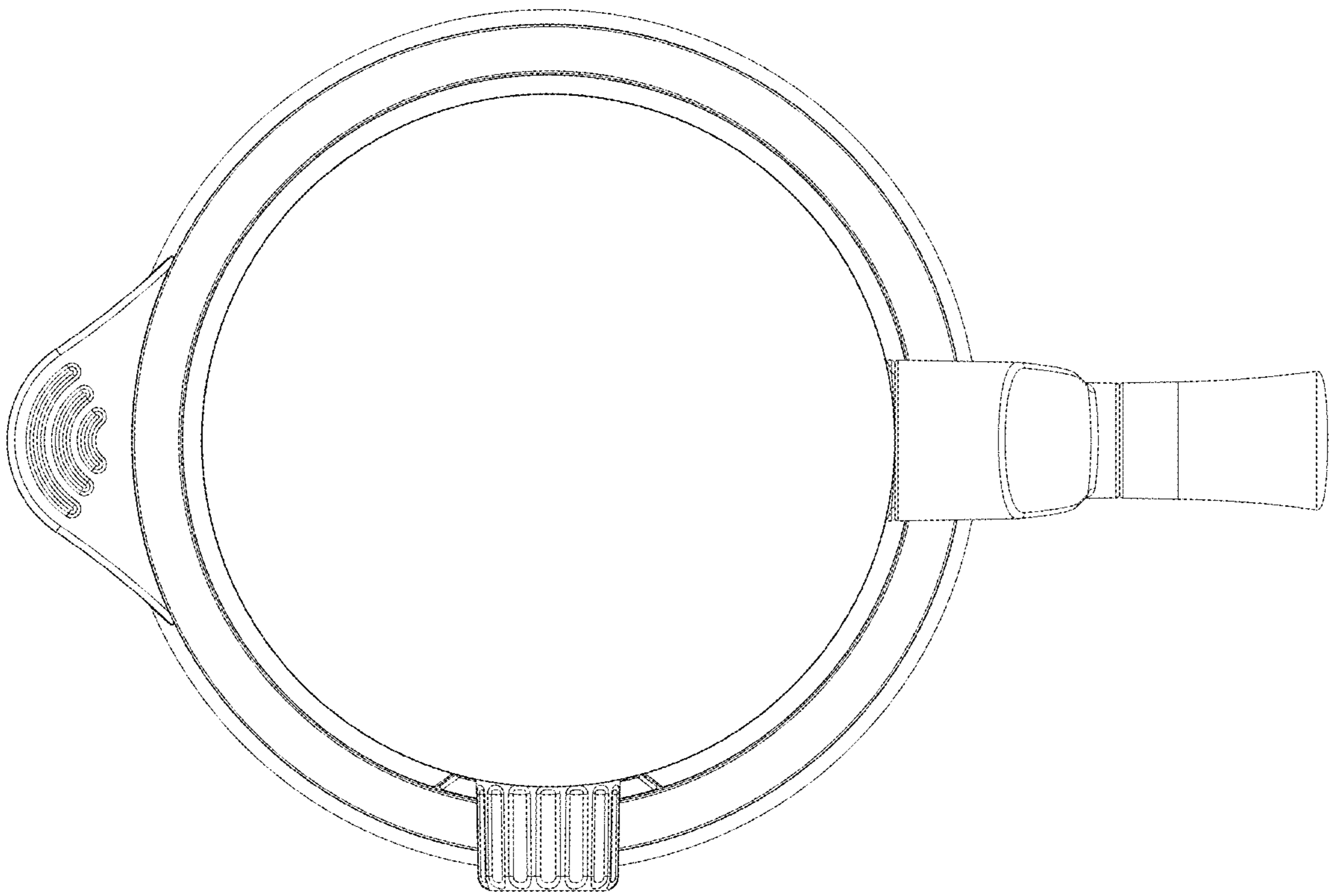


FIG. 5

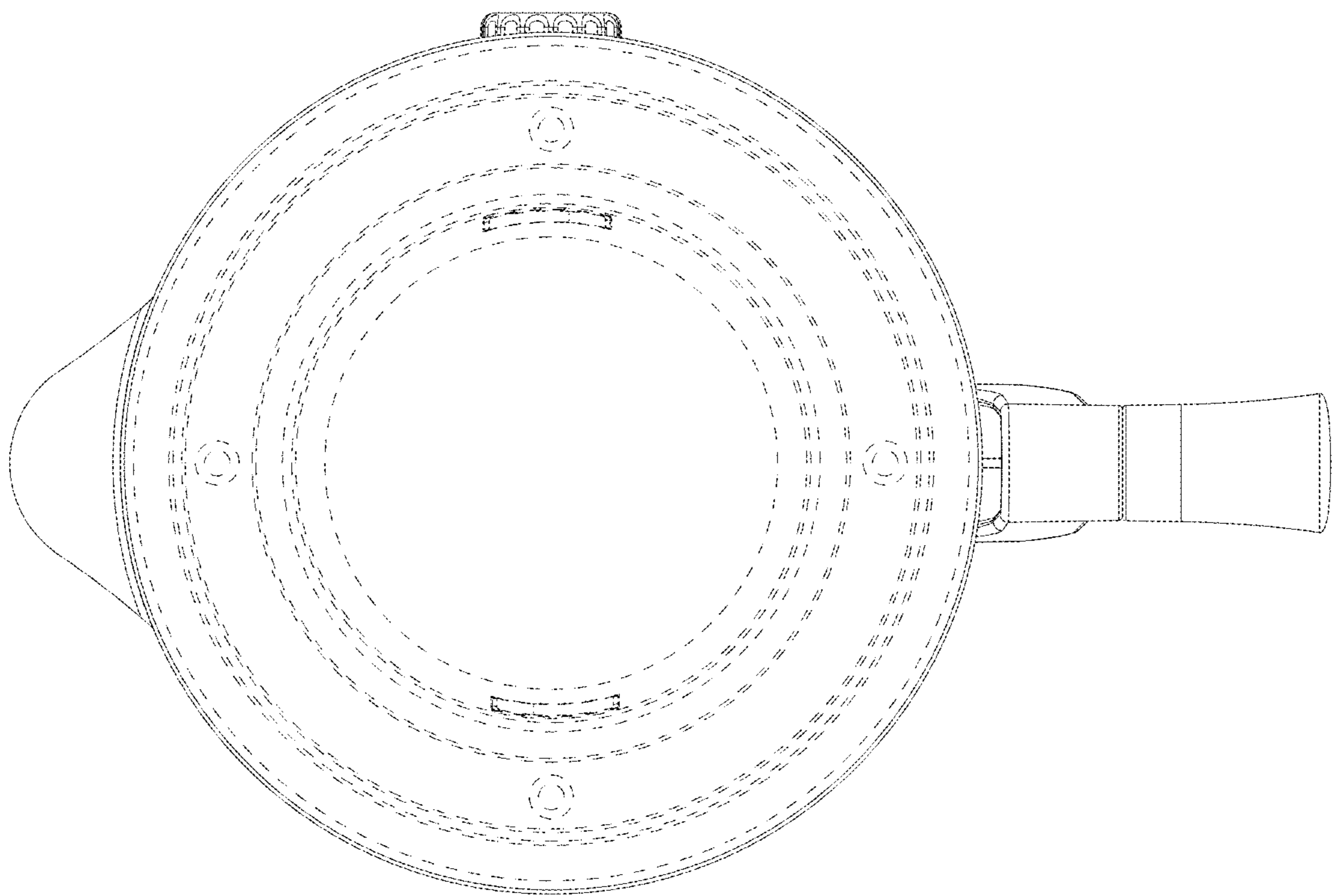


FIG. 6

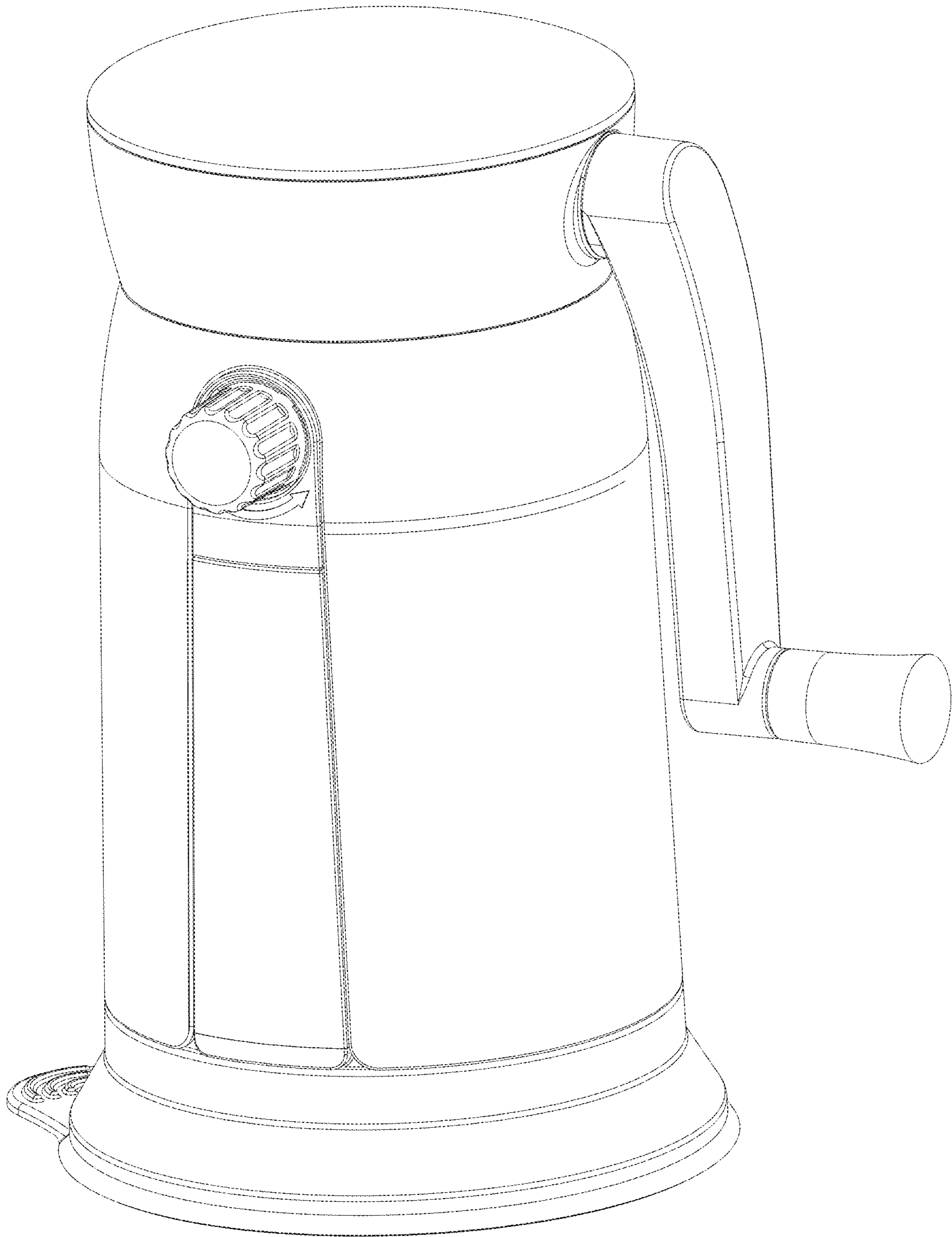


FIG. 7