



US00D941078S

(12) **United States Design Patent**
Koszylko

(10) **Patent No.:** **US D941,078 S**
(45) **Date of Patent:** **** Jan. 18, 2022**

- (54) **COOKER**
- (71) Applicant: **Spectrum Brands, Inc.**, Middleton, WI (US)
- (72) Inventor: **Darek J. Koszylko**, Dane, WI (US)
- (73) Assignee: **Spectrum Brands, Inc.**, Middleton, WI (US)

- D445,298 S 7/2001 DeBord et al.
- D520,806 S 5/2006 Ryan
- D528,353 S 9/2006 Brady et al.
- D537,670 S * 3/2007 Genslak D7/354
- D542,081 S 5/2007 Picozza et al.
- D556,504 S 12/2007 Averty
- D568,101 S 5/2008 Kaney et al.
- D568,676 S 5/2008 Steiner et al.
- D590,205 S * 4/2009 Tetreault D7/360

(**) Term: **15 Years**

(21) Appl. No.: **29/747,039**

(22) Filed: **Aug. 19, 2020**

(51) **LOC (13) Cl.** **07-02**

(52) **U.S. Cl.**
USPC **D7/354**; D7/360

(58) **Field of Classification Search**
 USPC D7/323, 354-361, 391, 393
 CPC A47J 27/00; A47J 27/004; A47J 27/08;
 A47J 27/0802; A47J 27/0804; A47J
 27/0811; A47J 27/0813; A47J 27/0815;
 A47J 27/0817; A47J 27/084; A47J 27/09;
 A47J 27/092; A47J 36/025; A47J 36/06;
 A47J 37/12; A47J 37/1204; A47J
 37/1209; A47J 45/07; A47J 45/071; A47J
 45/074; A47J 45/08; B01D 2201/345;
 B01J 3/03; B01J 3/04; F01P 2011/0247;
 F01P 2011/0252; H05B 6/00; H05B 6/02;
 H05B 6/06

See application file for complete search history.

(56) **References Cited**

U.S. PATENT DOCUMENTS

- D420,246 S * 2/2000 Alonge D7/360
- D425,360 S 5/2000 Dobson et al.
- D434,266 S 11/2000 Dobson et al.
- D444,664 S 7/2001 Dobson et al.
- D444,993 S 7/2001 Dobson et al.

FOREIGN PATENT DOCUMENTS

- CA 111929 S 1/2007
- CA 169312 S 2/2017

(Continued)

OTHER PUBLICATIONS

West Bend 87905 Versatility Slow Cooker. Date First Available on Amazon.com Feb. 8, 2019. [https://www.amazon.com/West-Bend-87905-Versatility-Temperature/dp/B08B3GQSM3/ref\(Year: 2019\).*](https://www.amazon.com/West-Bend-87905-Versatility-Temperature/dp/B08B3GQSM3/ref(Year: 2019).*)

(Continued)

Primary Examiner — Ricky Pham
 (74) *Attorney, Agent, or Firm* — Banner & Witcoff, Ltd.

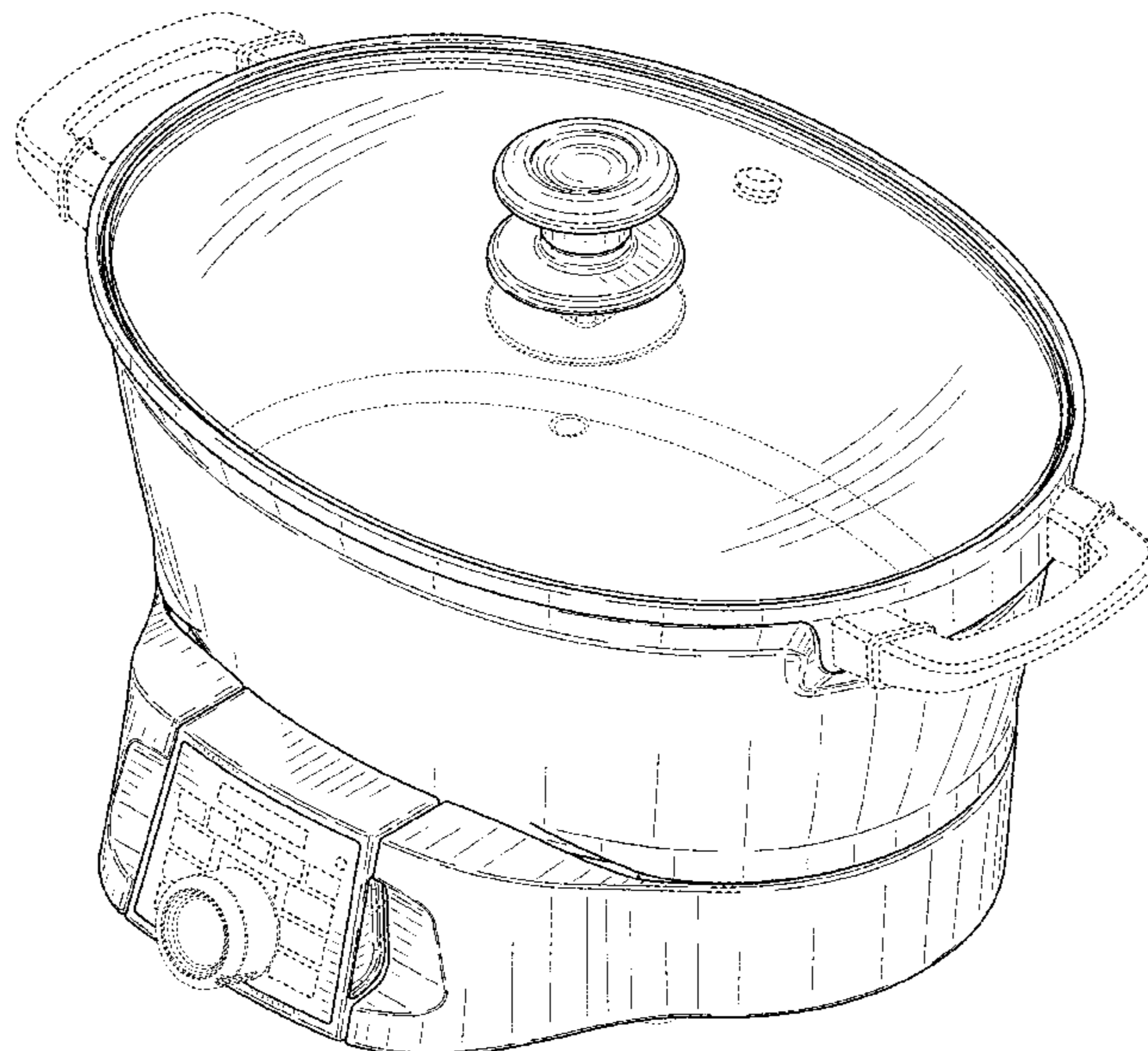
(57) **CLAIM**

The ornamental design for a cooker, as shown and described.

DESCRIPTION

FIG. 1 is a front perspective view of a cooker showing my new design;
 FIG. 2 is a front view thereof;
 FIG. 3 is a rear view thereof;
 FIG. 4 is a right side view thereof;
 FIG. 5 is a left side view thereof; and,
 FIG. 6 is a top view thereof.
 The broken lines represent features of the cooker which form no part of the claimed design.

1 Claim, 6 Drawing Sheets



(56)

References Cited

U.S. PATENT DOCUMENTS

D590,654 S	4/2009	Perkins et al.	
D628,849 S	12/2010	Tetreault et al.	
D632,130 S	2/2011	Tetreault et al.	
D635,818 S	4/2011	Tse	
7,943,888 B2 *	5/2011	Barnes	A47J 27/004 219/432
D641,202 S	7/2011	Bock et al.	
D642,856 S	8/2011	Bock et al.	
D646,114 S	* 10/2011	Wong	D7/357
D657,993 S	* 4/2012	Pantaleo	D7/357
D667,256 S	* 9/2012	Krapfl	D7/354
D667,679 S	9/2012	Carlson	
D667,680 S	9/2012	Bock	
D682,009 S	5/2013	Day et al.	
D697,363 S	* 1/2014	Tu	D7/357
D697,750 S	1/2014	Ye et al.	
D701,416 S	3/2014	Day et al.	
D702,991 S	4/2014	Roussard	
D730,107 S	5/2015	MacInnis et al.	
D735,519 S	* 8/2015	Benoit	D7/354
D761,613 S	* 7/2016	Moon	D7/360
D787,881 S	5/2017	Barquin et al.	
D788,517 S	6/2017	Barquin et al.	
D802,989 S	11/2017	Roland et al.	
D809,852 S	2/2018	Chang	
D830,107 S	10/2018	Zhang	
D832,024 S	10/2018	Wessels	
D846,333 S	* 4/2019	Gill	D7/357
D848,202 S	5/2019	Carey et al.	
D862,971 S	10/2019	Taniguchi	
D872,517 S	1/2020	Roland et al.	
D878,143 S	* 3/2020	Ding	D7/358
2004/0079747 A1 *	4/2004	Wang	A47J 27/004 219/438

FOREIGN PATENT DOCUMENTS

CA	169313 S	2/2017
CA	176934 S	1/2019
CA	176939 S	1/2019
CN	302770954	3/2014
CN	302958435	10/2014
CN	303140645	3/2015
CN	303140646	3/2015
CN	303149175	4/2015
CN	303263175	7/2015
CN	303559666	1/2016
CN	304911519	11/2018
CN	305354532	9/2019
CN	305731557	4/2020
WO	D098139-001	11/2017
WO	D098139-002	11/2017
WO	D098139-003	11/2017
WO	D098139-004	11/2017
WO	D098139-005	11/2017
WO	D098139-006	11/2017

OTHER PUBLICATIONS

“3.5 Quart Programmable Slow Cooker”; Cuisinart; retrieved May 18, 2020; disclosure date unknown but prior to the filing date of present application; URL: <https://www.cuisinart.com/shopping/appliances/slow_cookers_rice_cookers/psc-350>.

“4 Quart 3-in-1 Cook Central Multicooker”; Cuisinart; retrieved May 18, 2020; disclosure date unknown but prior to the filing date of present application; URL: <https://www.cuisinart.com/shopping/appliances/slow_cookers_rice_cookers/msc-400>.

“10 Quart Slow Cooker”; Hamilton Beach; retrieved May 18, 2020; disclosure date unknown but prior to the filing date of present application; URL: <<https://www.hamiltonbeach.com/10-quart-slow-cooker-33190>>.

“360 Stainless Steel Slow Cooker, 4 Quart Stock Pot is Induction Cookware”; Americraft Gourmet; retrieved May 18, 2020; disclosure date unknown but prior to the filing date of present application; URL: <<https://www.amazon.com/360-Stainless-Induction-Waterless-Dishwasher/>>.

“Crock-Pot 7.0-Quart Slow Cooker, Manual, Stainless Steel”; Crock-Pot; retrieved May 18, 2020; disclosure date unknown but prior to the filing date of present application; URL: <<https://www.crock-pot.com/crock-pot/crock-pot-7.0-quart-slow-cooker-manual-stainless-steel/SCV700-SS.html>>.

“3-in-One Slow Cooker”; Hamilton Beach; retrieved May 18, 2020; disclosure date unknown but prior to the filing date of present application; URL: <<https://www.hamiltonbeach.com/3-in-One Slow Cooker>>.

“4 Quart Slow Cooker”; Hamilton Beach; retrieved May 18, 2020; disclosure date unknown but prior to the filing date of present application; URL: <<https://www.hamiltonbeach.com/4 Quart Slow Cooker>>.

“Hammer Stahl 2.5 Quart Utility Pan with Cover and Electric Slow Cooker Base”; Hammer Stahl; retrieved May 18, 2020; disclosure date unknown but prior to the filing date of present application; URL: <<https://www.amazon.com/Hammer Stahl 2.5 Quart Utility Pan with Cover and Electric Slow Cooker Base />>>.

“Rice Cooker / Steamer NHS—Jun. 10, 2018”; Zojirushi; retrieved May 18, 2020; disclosure date unknown but prior to the filing date of present application; URL: <<https://www.zojirushi.com/app/product/nhs>>.

“Rockcrok Slow Cooker Stand”; Pampered Chef; retrieved May 18, 2020; disclosure date unknown but prior to the filing date of present application; URL: <<https://www.pamperedchef.com/Rockcrok Slow Cooker Stand/>>.

“Slow Cooker Base”; Kitchen Charm Canada; retrieved May 18, 2020; disclosure date unknown but prior to the filing date of present application; URL: <<https://www.kitchencharmcanada.com/Slow Cooker Base/>>.

“West Bend Housewares Versatility Slow Cooker”; West Bend; retrieved May 18, 2020; disclosure date unknown but prior to the filing date of present application; URL: <<https://www.GoodHousekeeping.com/West Bend HousewaresVersatility Slow Cooker />>>.

* cited by examiner

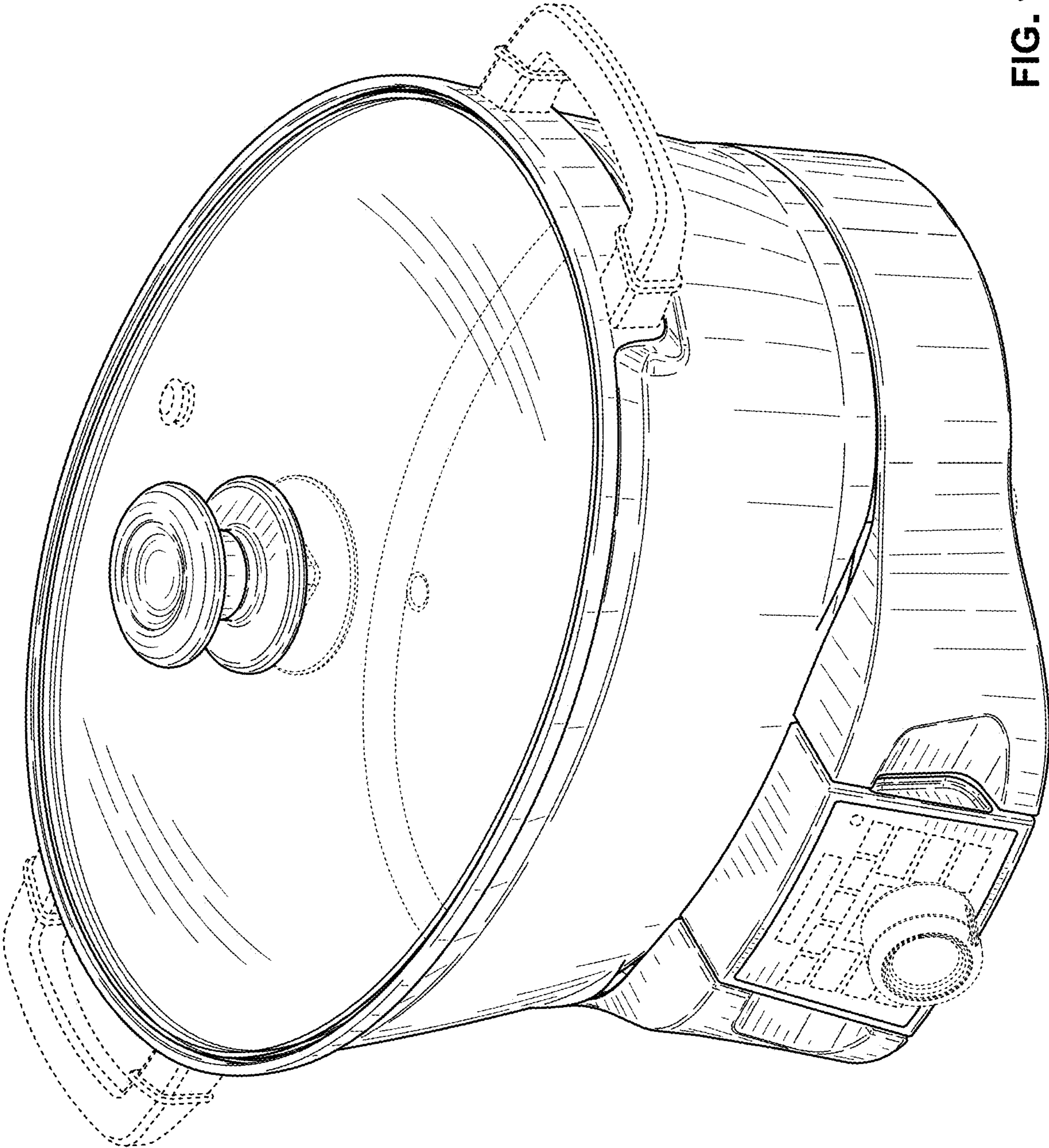


FIG. 1

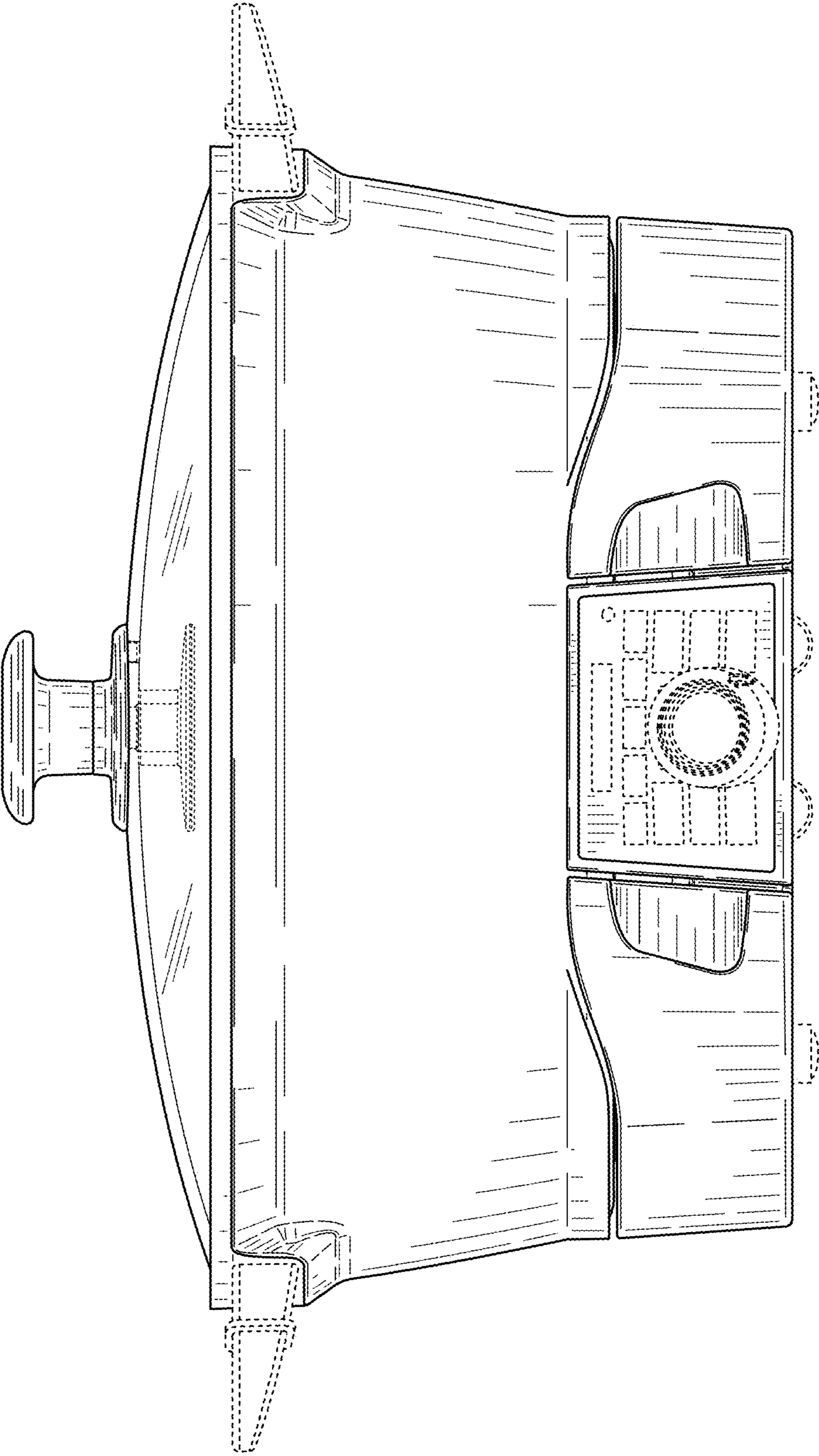


FIG. 2

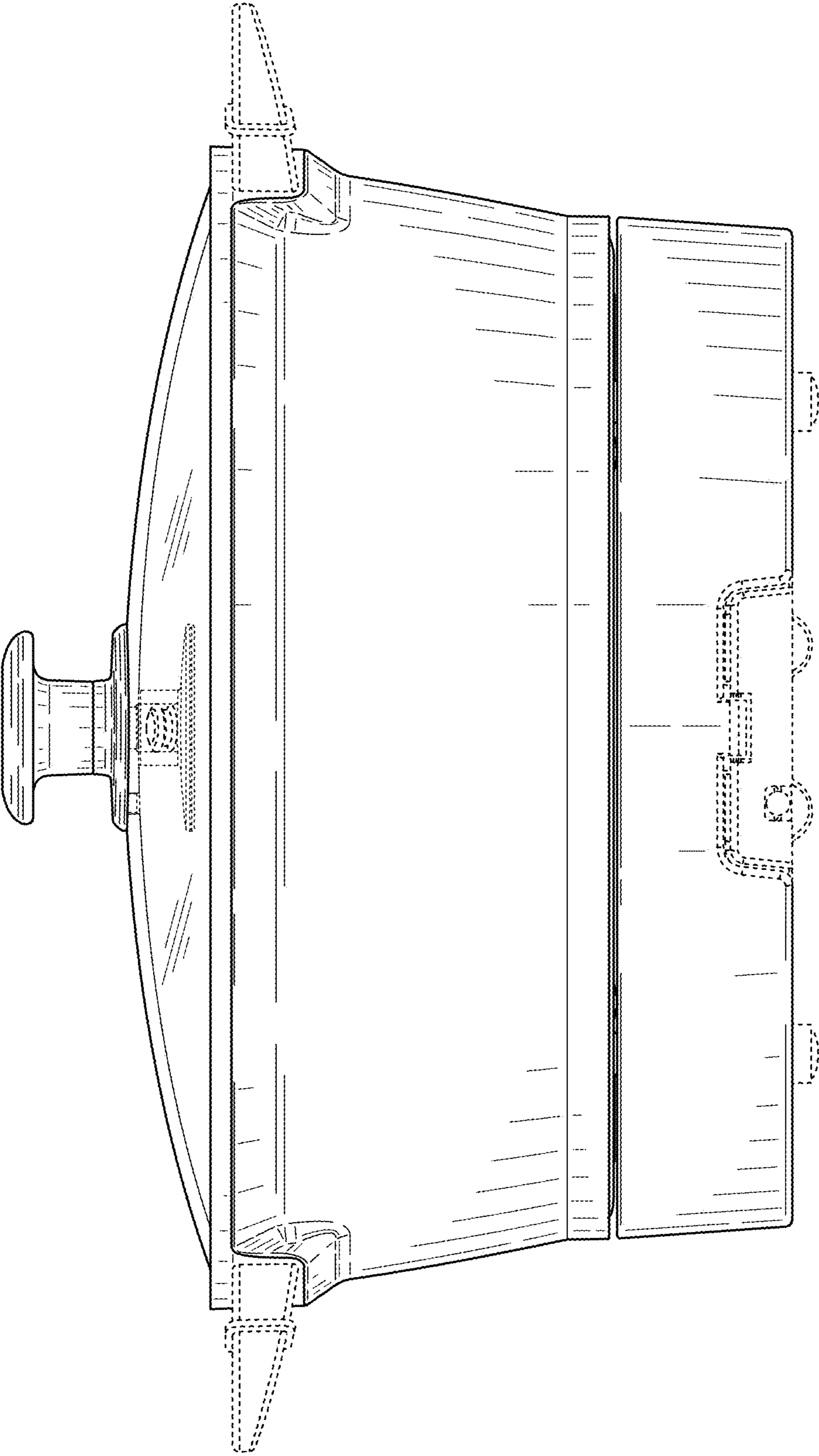


FIG. 3

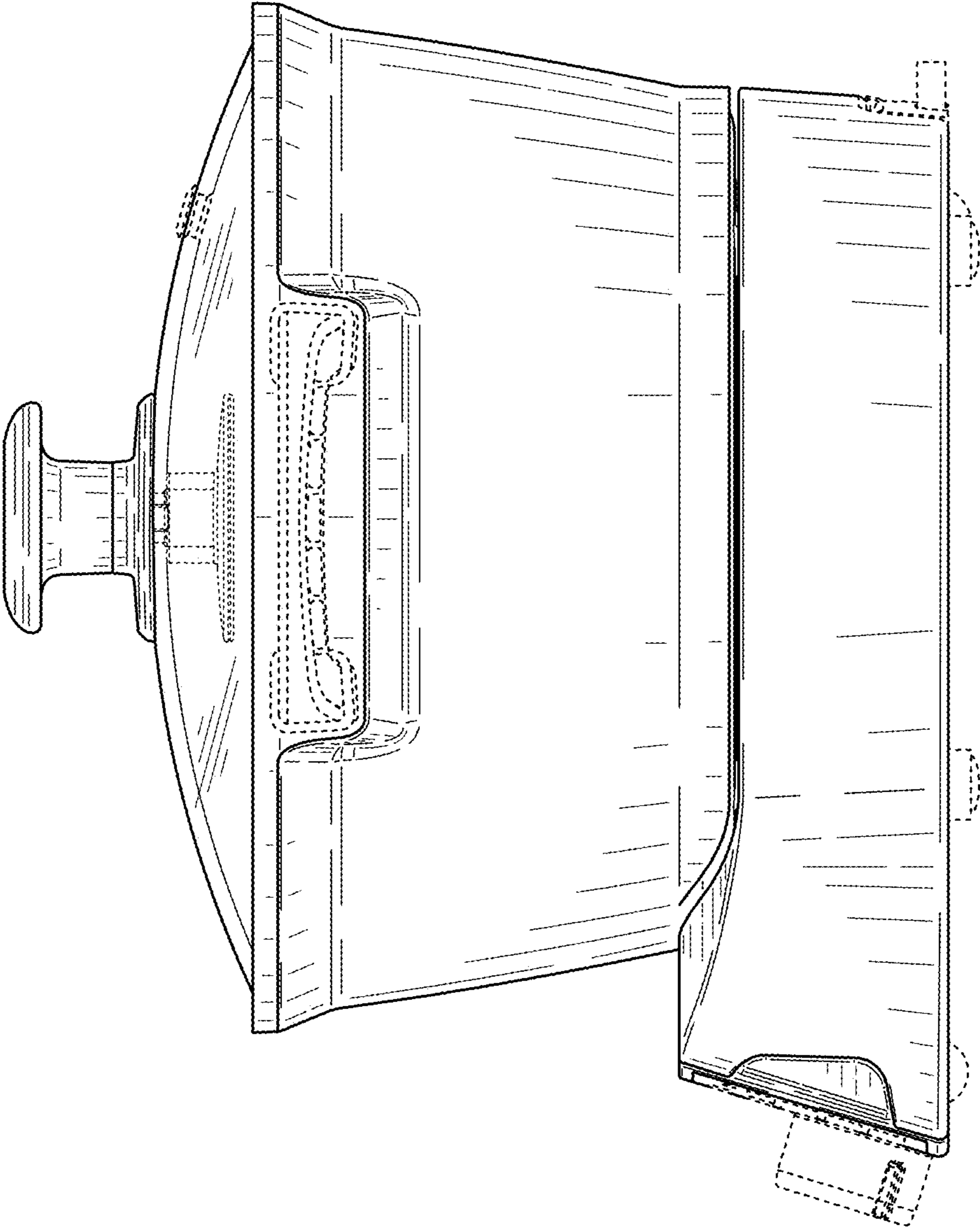


FIG. 4

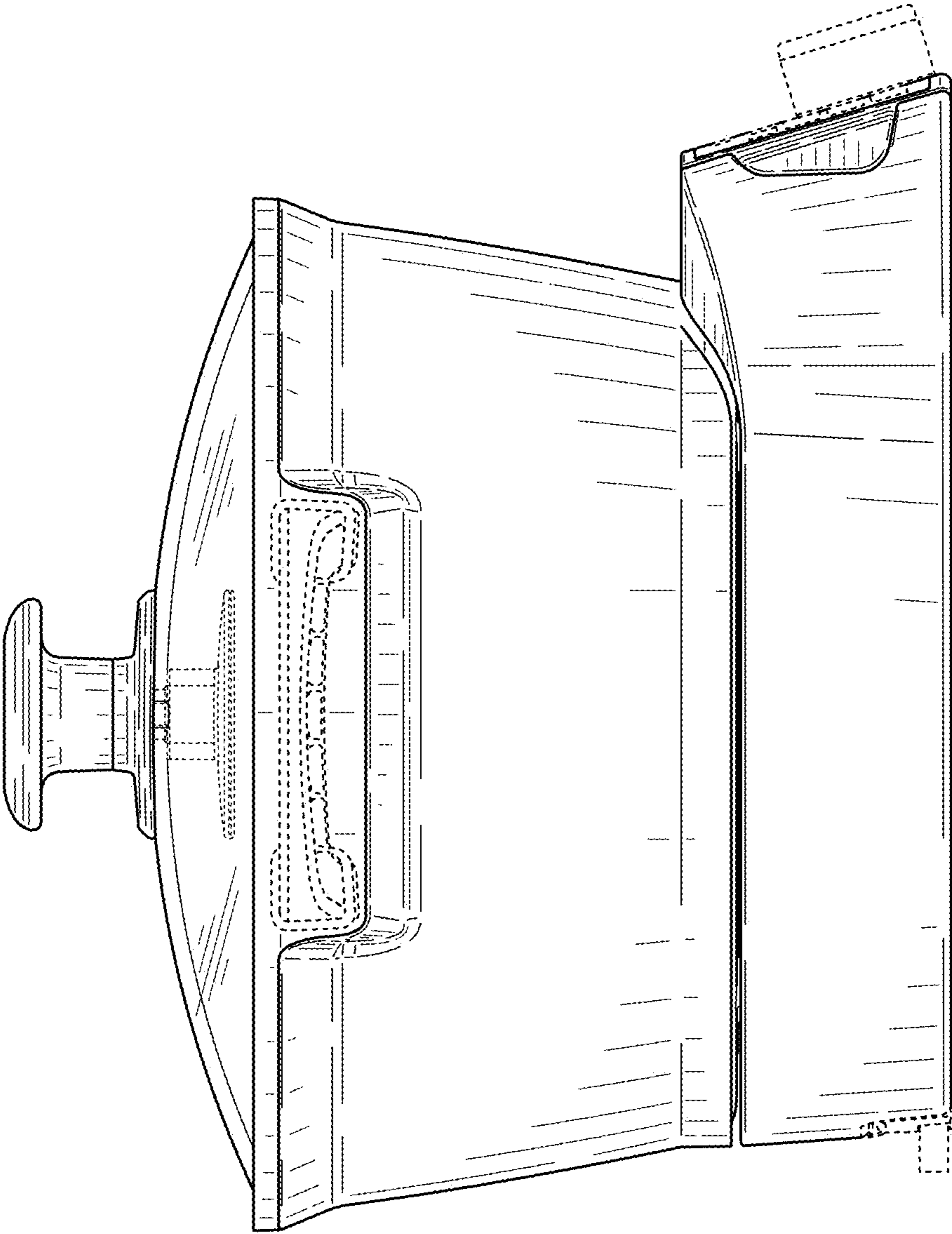


FIG. 5

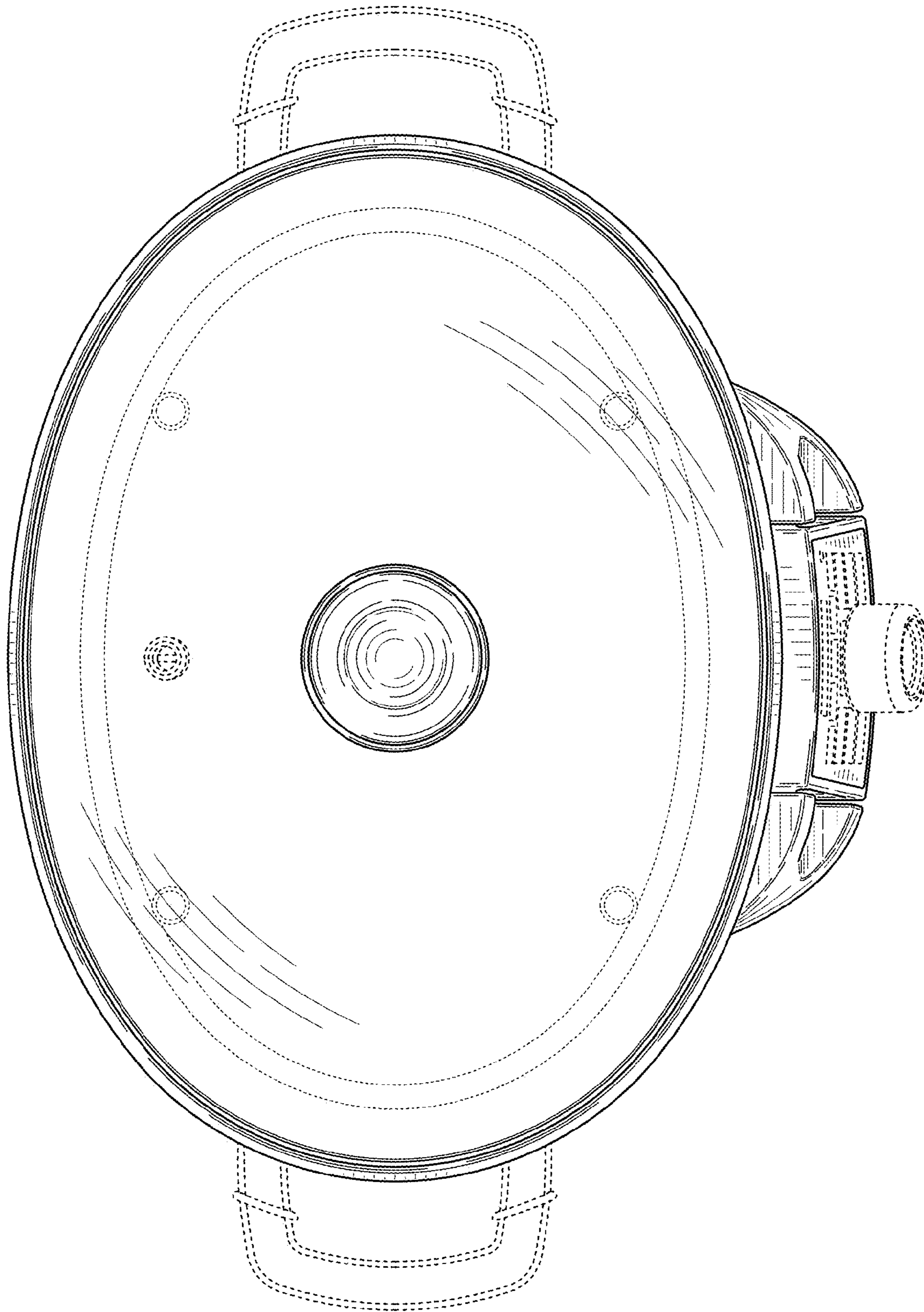


FIG. 6