



US00D941076S

(12) **United States Design Patent**
West et al.

(10) **Patent No.:** **US D941,076 S**
(45) **Date of Patent:** **** Jan. 18, 2022**

(54) **COOKING APPLIANCE**

(71) Applicant: **Spark Grills, Inc.**, Boulder, CO (US)

(72) Inventors: **Benjamin West**, Boulder, CO (US);
Miguel Christophy, San Francisco, CA (US); **Bret Recor**, San Francisco, CA (US); **Kenneth Young**, San Francisco, CA (US); **Virosh Rangalla**, San Francisco, CA (US); **Merric French**, San Francisco, CA (US); **Jack Knoebber**, San Francisco, CA (US)

(73) Assignee: **Spark Grills, Inc.**, Boulder, CO (US)

(**) Term: **15 Years**

(21) Appl. No.: **29/722,796**

(22) Filed: **Jan. 31, 2020**

(51) **LOC (13) Cl.** **07-02**

(52) **U.S. Cl.**
USPC **D7/332**

(58) **Field of Classification Search**
USPC D7/332-337, 402-409, 352, 353,
D7/360-362; D23/415

(Continued)

(56) **References Cited**

U.S. PATENT DOCUMENTS

D251,893 S * 5/1979 Chan D7/337
5,394,590 A * 3/1995 Yu A47J 37/0786
126/25 R

(Continued)

FOREIGN PATENT DOCUMENTS

JP D1679483 2/2021
WO WO2021155060 8/2021

OTHER PUBLICATIONS

U.S. Appl. No. 29/722,796, filed Jan. 31, 2020, West et al.

(Continued)

Primary Examiner — Brett Miller

(74) *Attorney, Agent, or Firm* — Weaver Austin Villeneuve & Sampson LLP

(57) **CLAIM**

We claim the ornamental design for a cooking appliance, as shown and described.

DESCRIPTION

FIG. 1 depicts an isometric view of a cooking appliance. FIG. 2 depicts a front view of the cooking appliance of FIG. 1.

FIG. 3 depicts a back view of the cooking appliance of FIG. 1.

FIG. 4 depicts a top view of the cooking appliance of FIG. 1.

FIG. 5 depicts a bottom view of the cooking appliance of FIG. 1.

FIG. 6 depicts a side view of the cooking appliance of FIG. 1.

FIG. 7 depicts the other side view of the cooking appliance of FIG. 1.

FIG. 8 depicts an off-angle view of the cooking appliance of FIG. 1.

FIG. 9 depicts another off-angle view of the cooking appliance of FIG. 1.

FIG. 10 depicts yet another off-angle view of the cooking appliance of FIG. 1.

FIG. 11 depicts another off-angle view of the cooking appliance of FIG. 1; and,

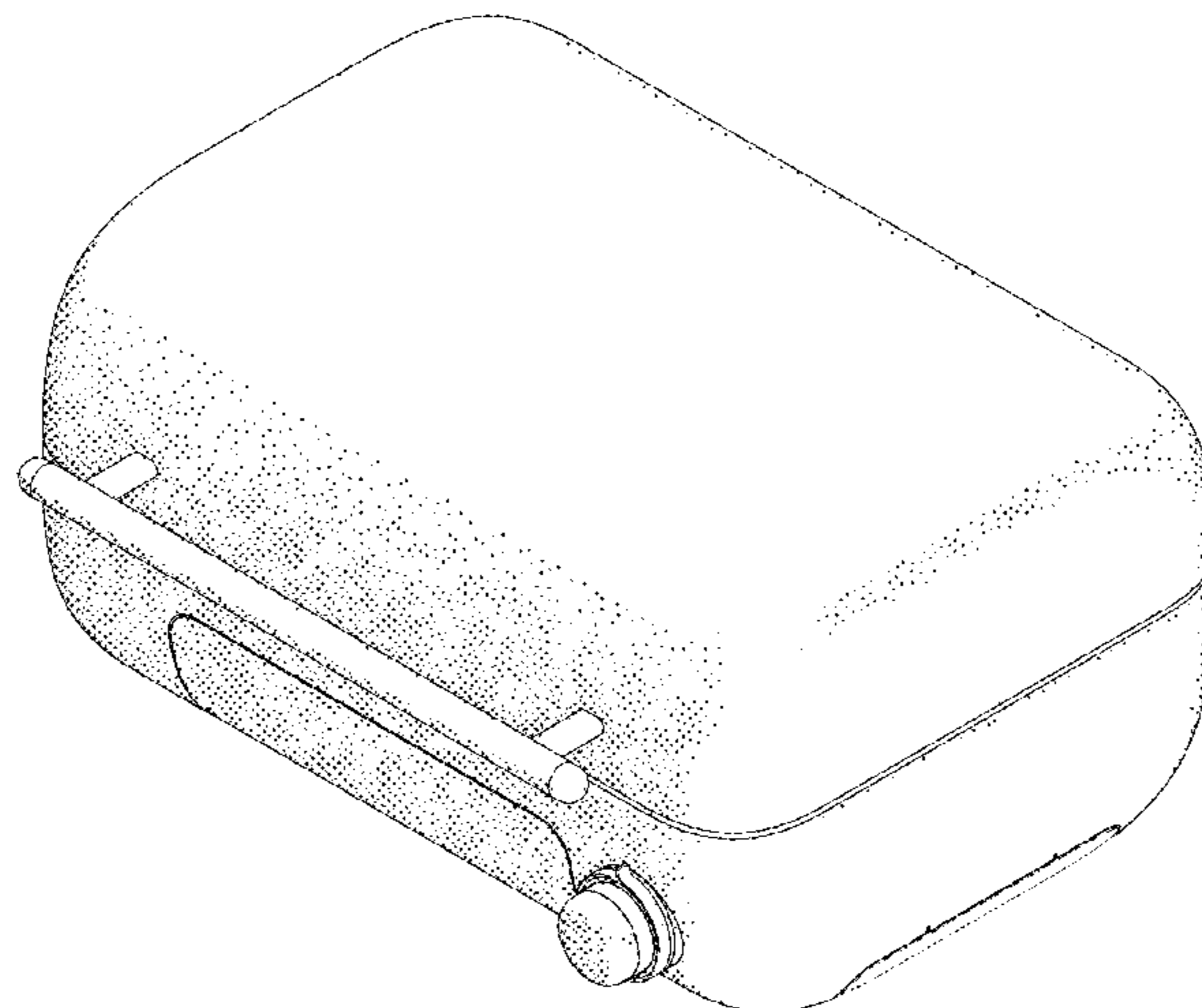
FIGS. 12-22 correspond to FIGS. 1-11, respectively, and are not shaded but do include tangent lines, which are shown as dash-dot-dot lines in these Figures.

The cooking appliance may be used for cooking, and may be considered a grill, bar-b-que, stove, or smoker.

Stipple shading is used in FIGS. 1-11 to convey surface contouring and not texture or surface finish.

It is to be understood that many of the surface intersections in the depicted embodiment may intersect such that a blended or lightly-rounded edge is formed. As such, there may be no “hard” edge present at such locations. At more prominent locations where rounded edges may be present, a virtual edge represented by a “tangent line” or “tangent

(Continued)



edge” which are depicted as grey, dash-dot-dot lines may be used such as in FIGS. 12 through 22; such tangent lines or tangent edges are merely provided for the viewer’s assistance.

Dash-dash broken lines are used to depict features or elements that are not considered to be part of the claimed design. Dash-dot-dash broken lines are boundary lines that indicate transitions between claimed and unclaimed regions of the depicted articles, for example, as evidenced in FIGS. 1-11 by the removal of shading within the disclaimed features and elements, and the presence of shading outside of the disclaimed features and elements.

1 Claim, 20 Drawing Sheets

(58) **Field of Classification Search**

CPC A47J 37/0704; A47J 37/0763; A47J 37/07;
A47J 37/0786; A47J 2037/0777; A47J
37/0713; F24C 3/14; F24C 1/16; F24C
5/20

See application file for complete search history.

(56) **References Cited**

U.S. PATENT DOCUMENTS

5,499,573	A *	3/1996	Lin	A47J 37/0763
					126/25 R
D412,808	S *	8/1999	Hinton	D7/362
D415,925	S *	11/1999	Pai	D7/337
D450,976	S *	11/2001	Mosher	D7/337
D461,360	S *	8/2002	Bossler	D7/337
6,513,515	B1 *	2/2003	Wu	A47J 37/0704
					126/276

D478,770	S *	8/2003	Pai	D7/332
D521,801	S	5/2006	Huxhold et al.		
D524,097	S	7/2006	Magnouloux		
D549,036	S *	8/2007	Chung	D7/337
D610,862	S *	3/2010	Chung	D7/337
D682,614	S	5/2013	Loyd		
D714,092	S *	9/2014	Verbrugge	D7/352
9,384,921	B2	7/2016	Bekaert		
D835,448	S *	12/2018	Mansueto	D7/334
10,517,429	B2	12/2019	West et al.		
10,824,183	B1	11/2020	Cruz-Pérez		
D911,091	S *	2/2021	Chung	D7/334
D920,741	S	6/2021	Kan		
D925,265	S *	7/2021	Bennion	D7/334
D935,267	S	11/2021	West et al.		
2016/0255999	A1 *	9/2016	McAdams	A47J 37/0763
2017/0258269	A1 *	9/2017	Morelock	A47J 37/0713
2019/0117017	A1	4/2019	West et al.		

OTHER PUBLICATIONS

U.S. Appl. No. 62/968,957, filed Jan. 31, 2020, West et al.
U.S. Ex Parte Quayle Action dated Mar. 25, 2021 for Design U.S. Appl. No. 29/772,800.
U.S. Notice of Allowance dated Jul. 12, 2021 for Design U.S. Appl. No. 29/772,800.
“PK Grill Classic”, downloaded from the internet on Oct. 9, 2020, <https://www.pkgrills.com/the-pk-grill-smoker-classic-silver/>.
Spark Grill Launches Pre-Order Waitlist, Promises Gas Style Precision with Charcoal, first Available Apr. 3, 2020, The Spoon [online; site visited Mar. 3, 2021], available from the internet URL: <https://thespoon.tech/spark-grill-launches-pre-orders-promises-gas-style-precision-with-charcoal/> (year: 2020).
Spark One, Spark Grills, [online; site visited Mar. 3, 2021], available from the internet URL: <https://www.sparkgrills.com/products/spark-one> (year: 2021).
U.S. Appl. No. 29/722,800, filed Jan. 31, 2020, West et al.

* cited by examiner

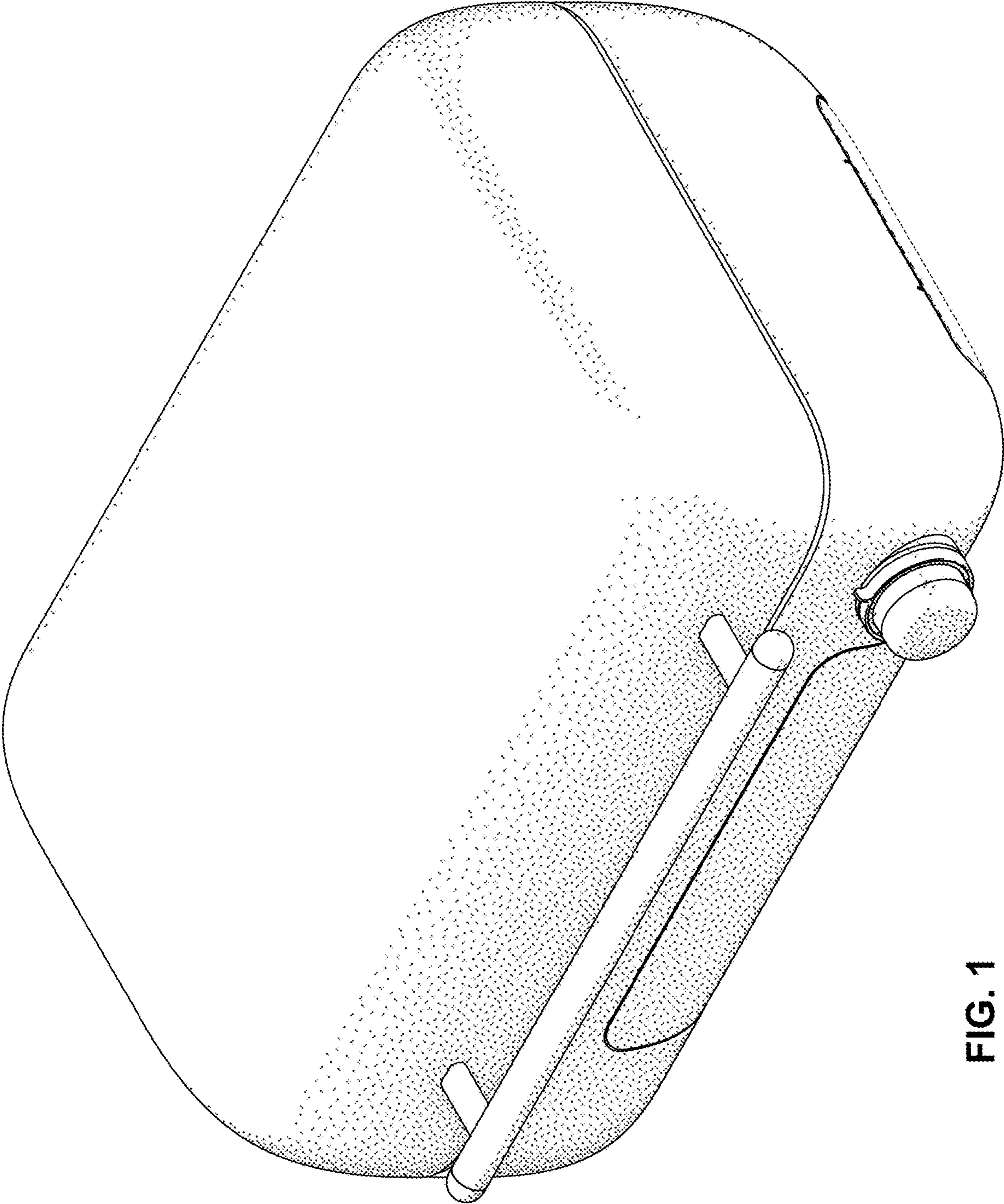


FIG. 1

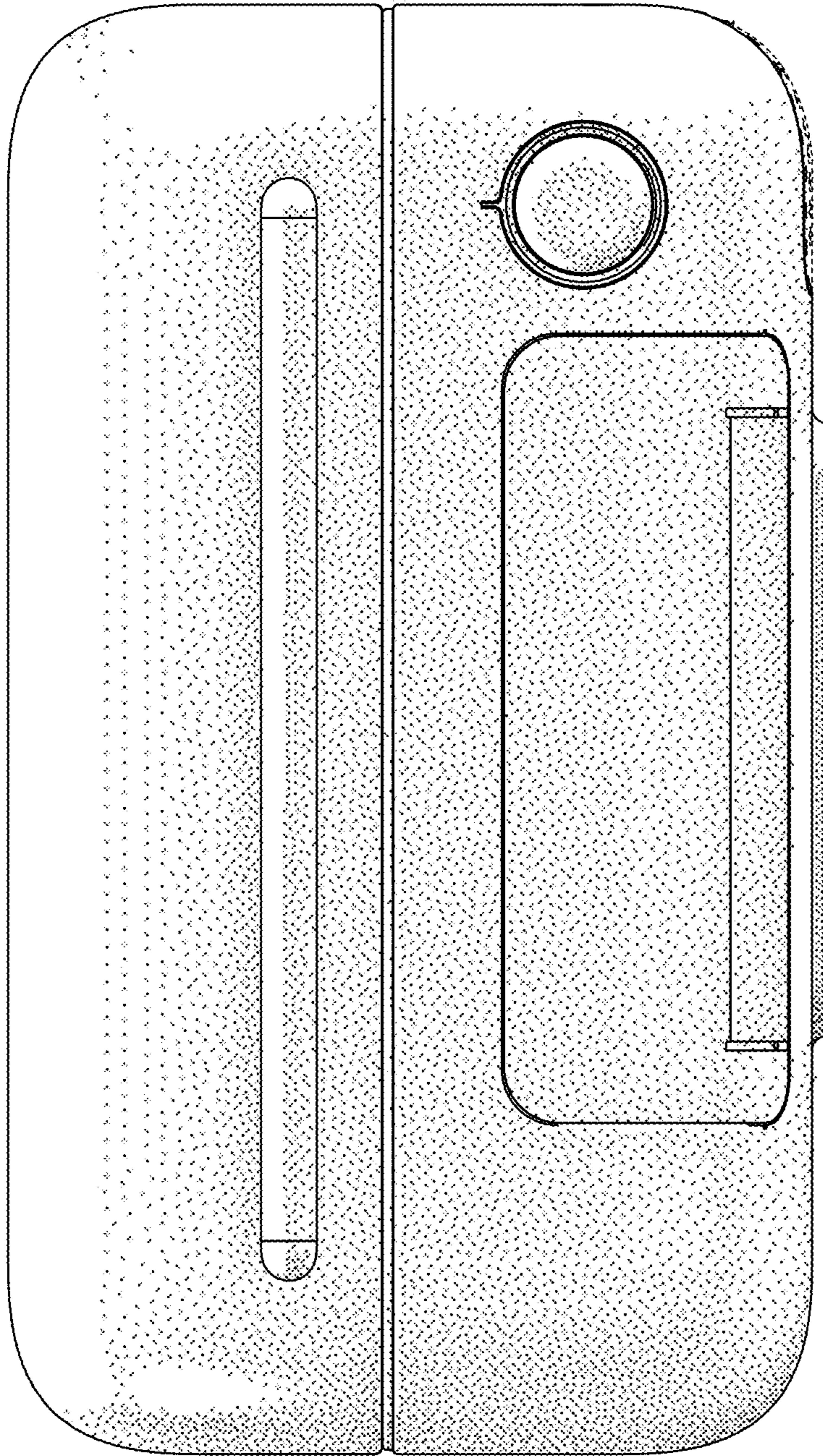


FIG. 2

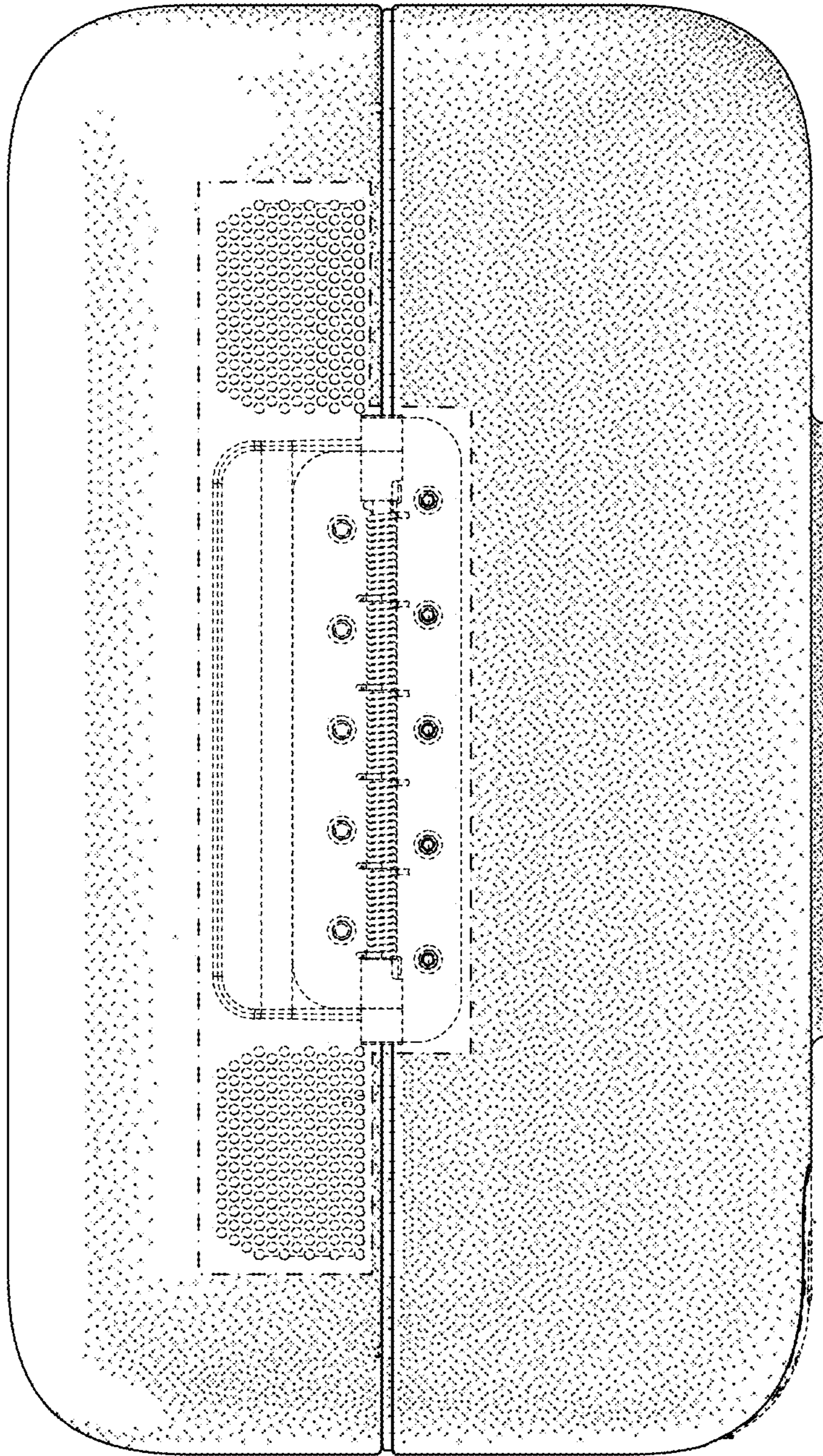


FIG. 3

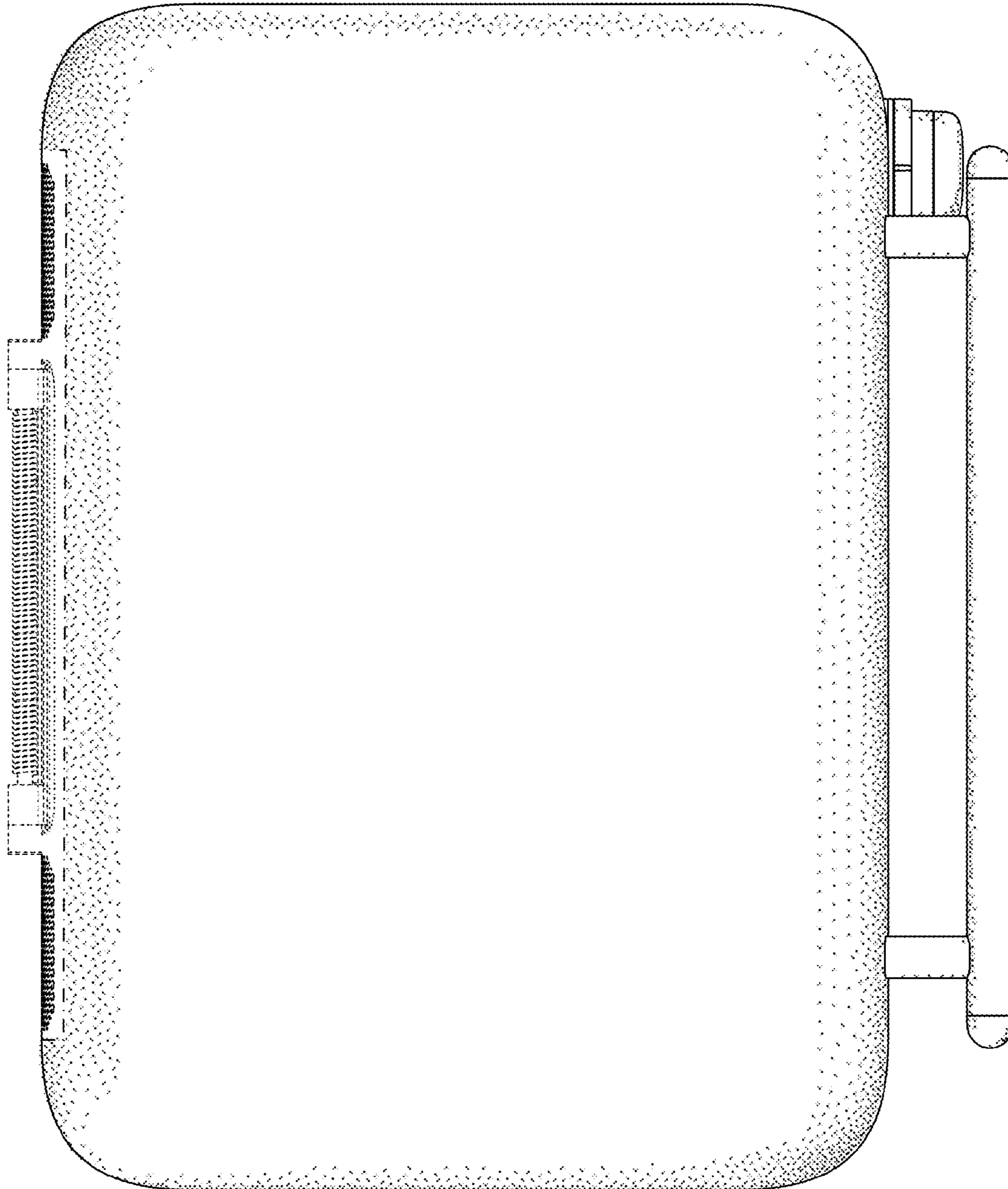


FIG. 4

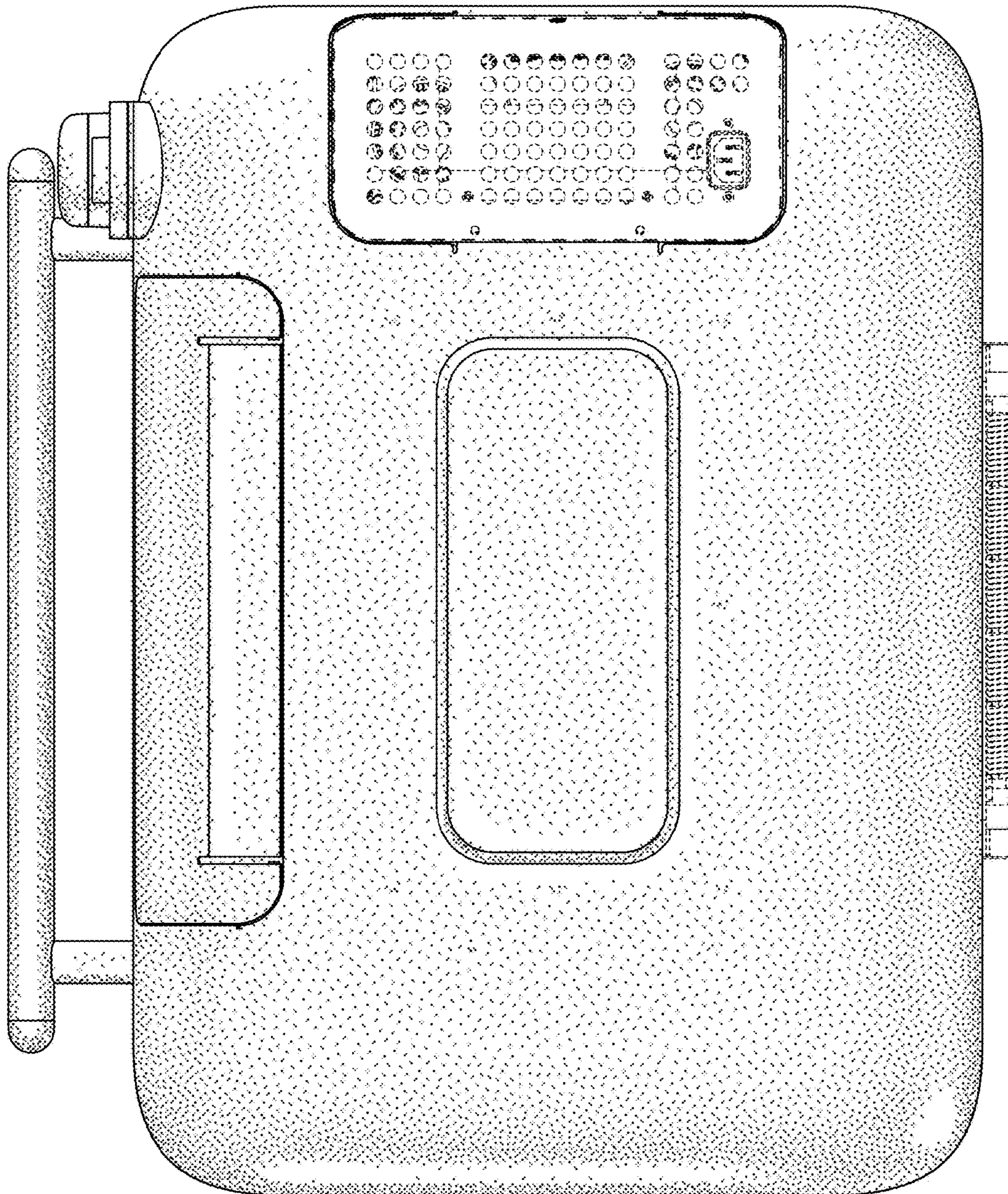


FIG. 5

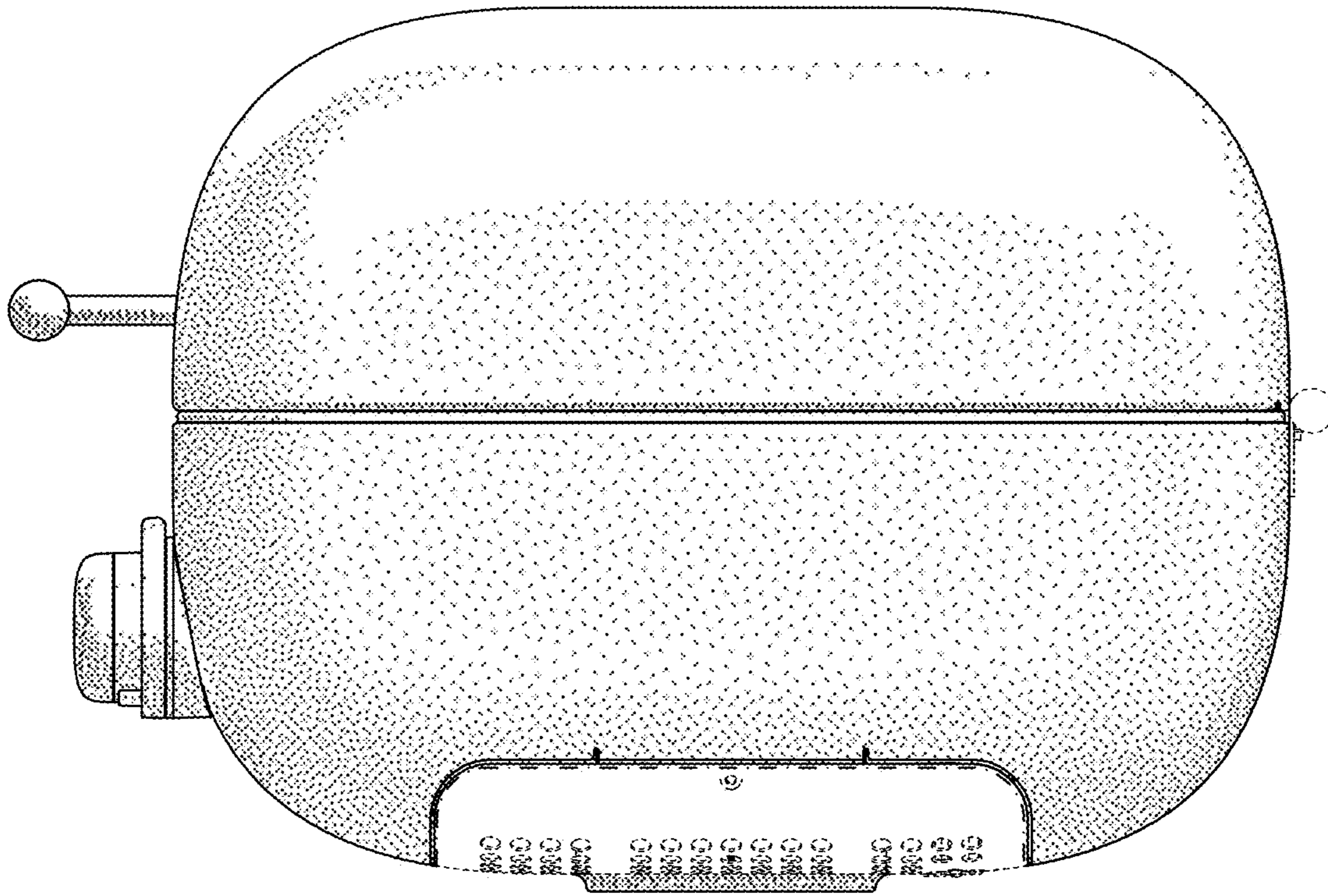


FIG. 6

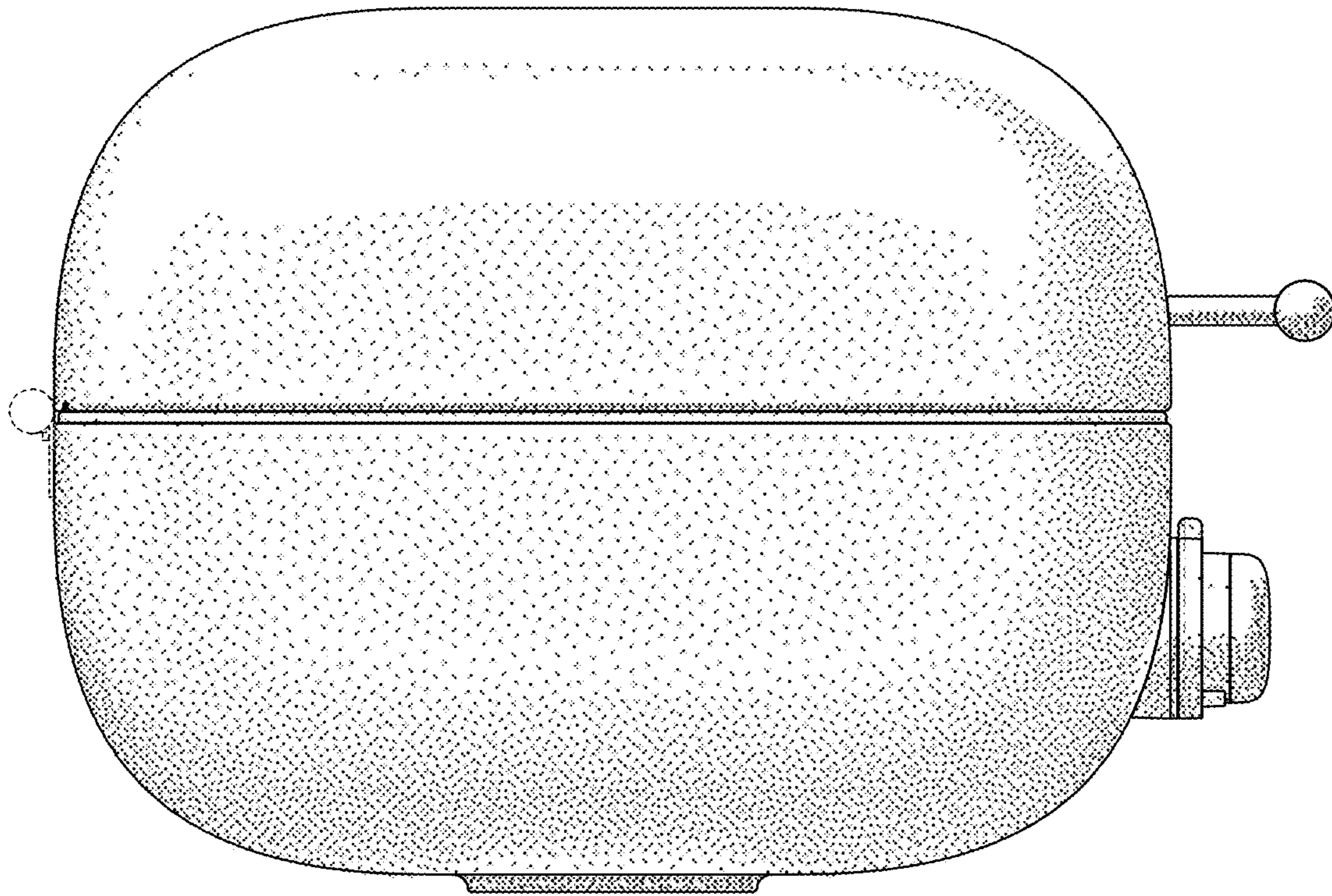


FIG. 7

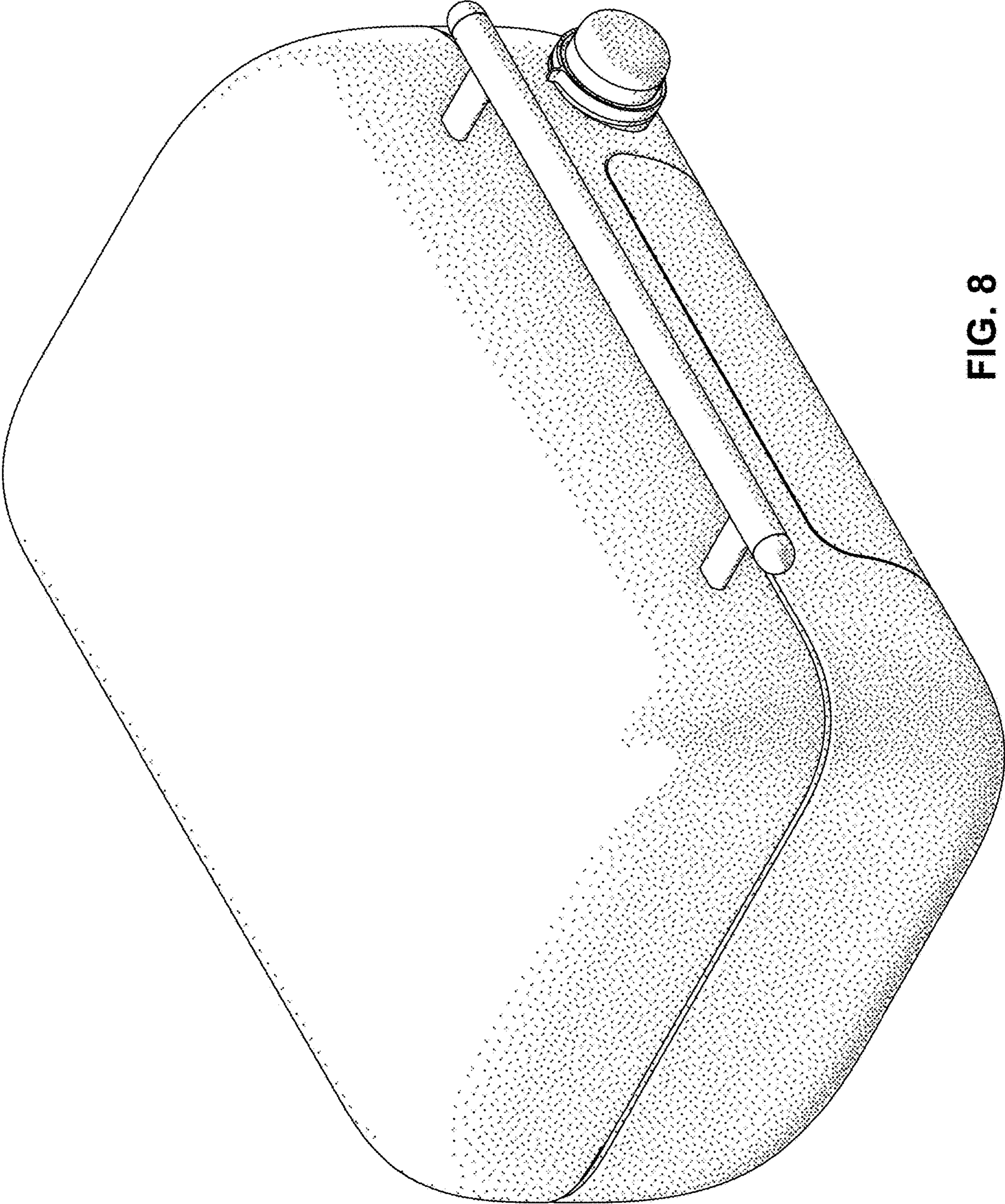


FIG. 8

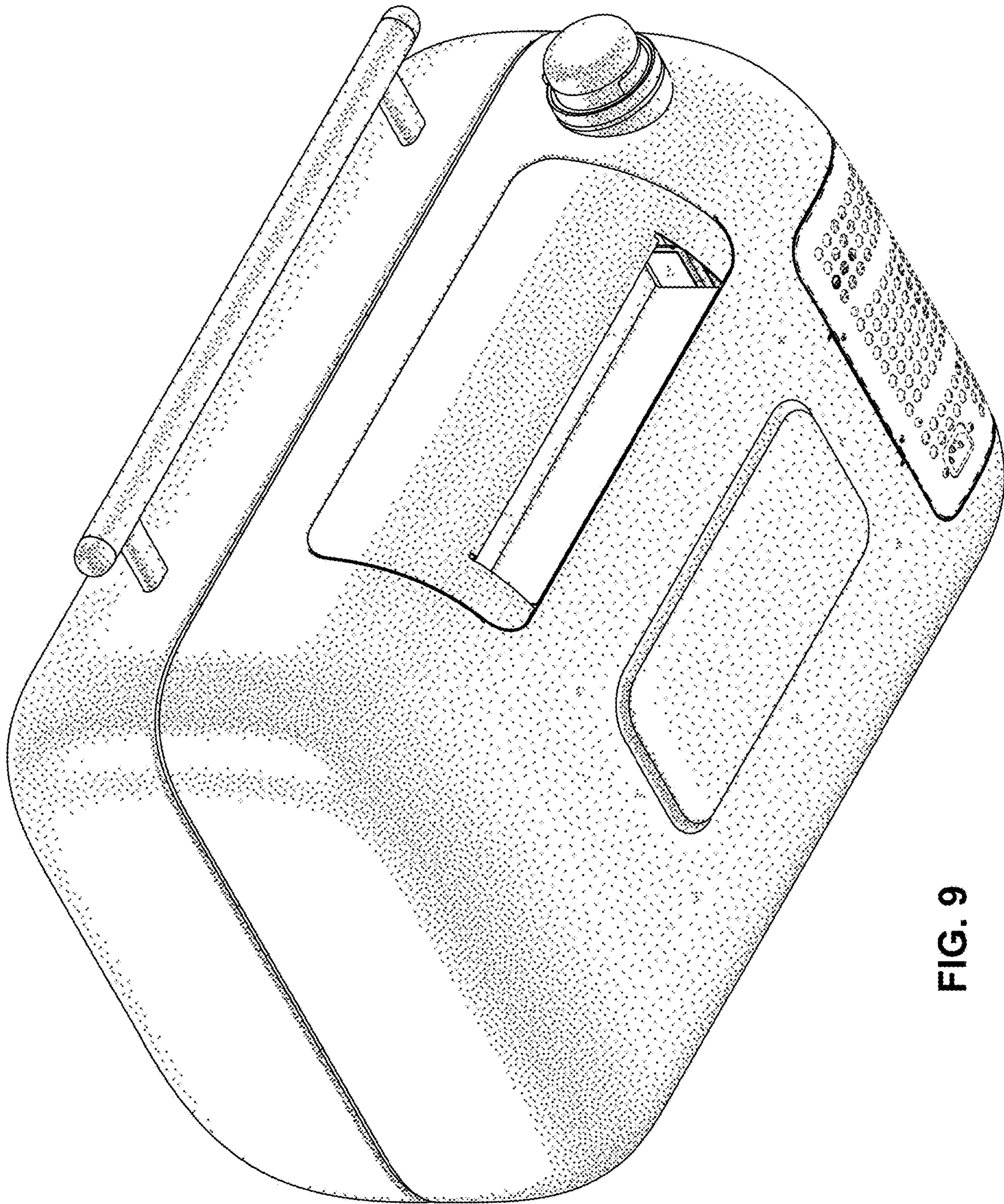


FIG. 9

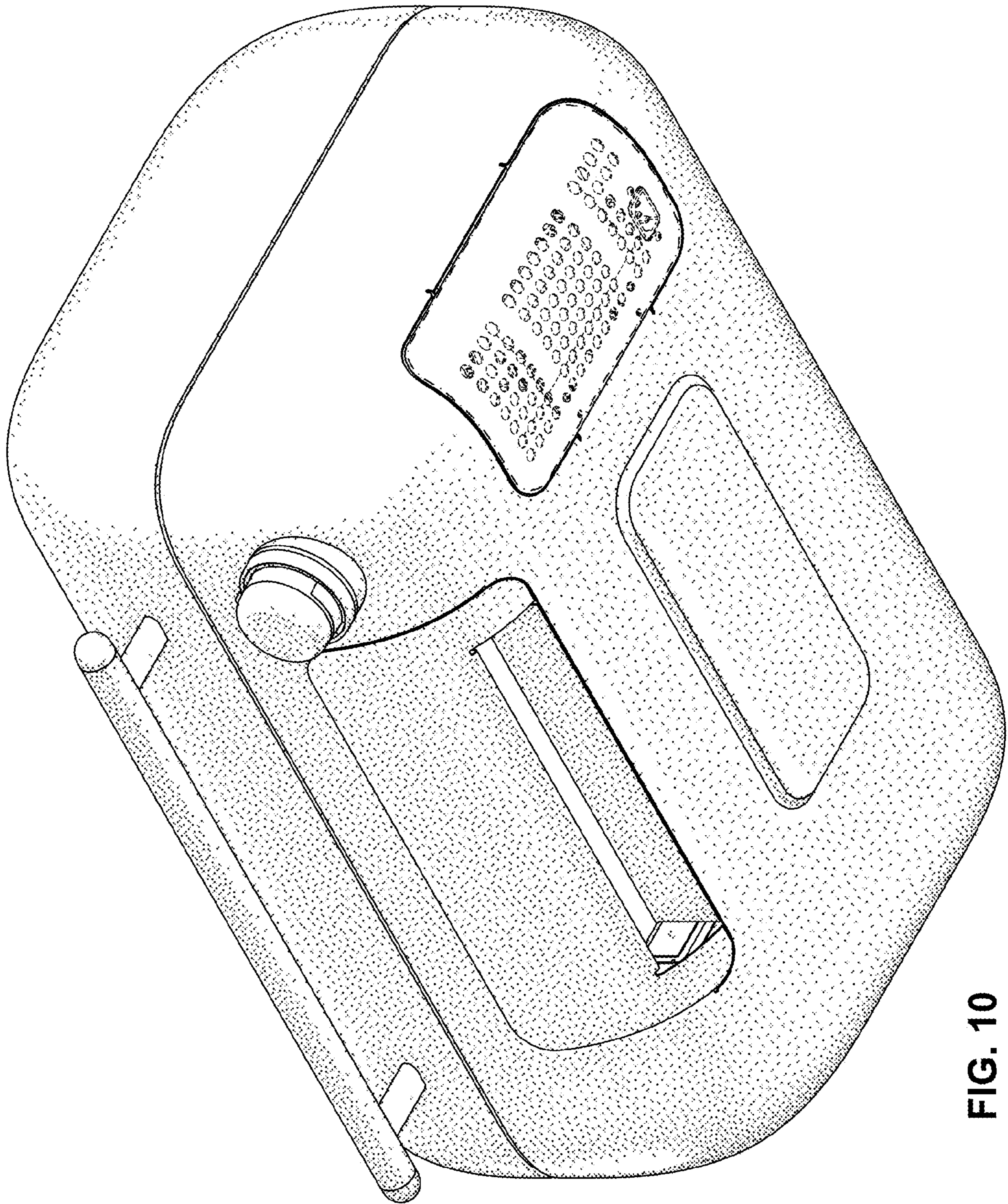


FIG. 10

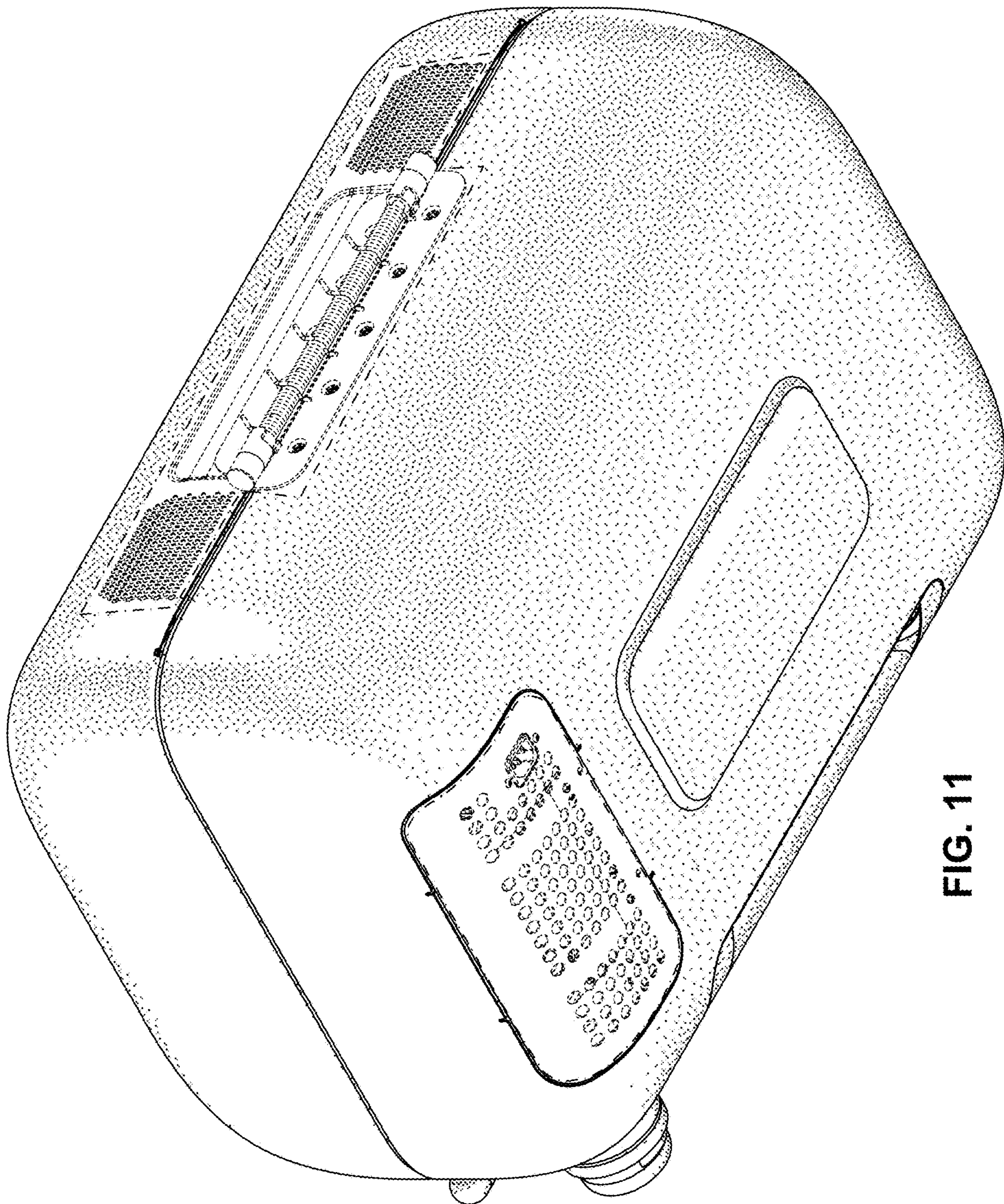


FIG. 11

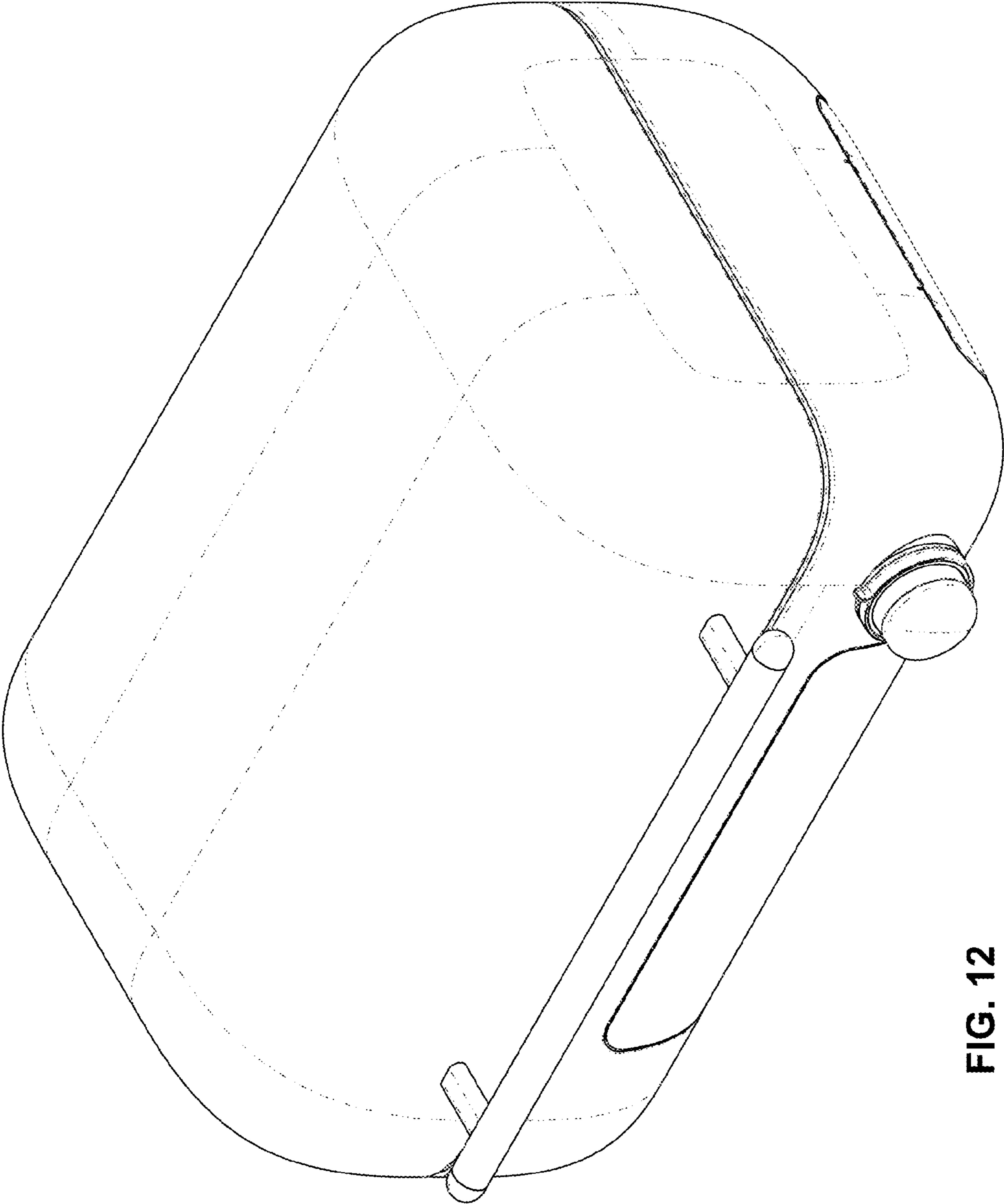


FIG. 12

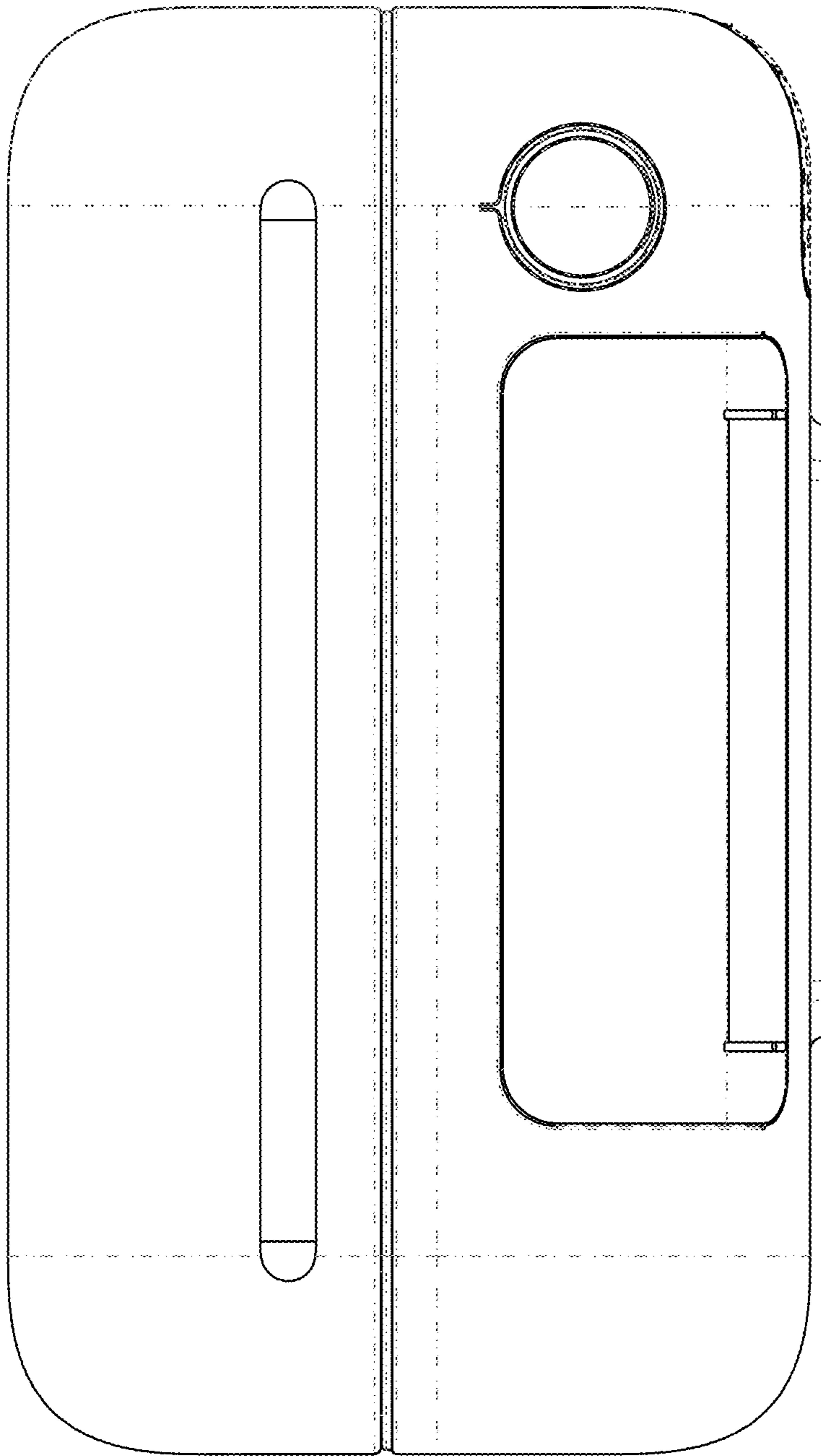


FIG. 13

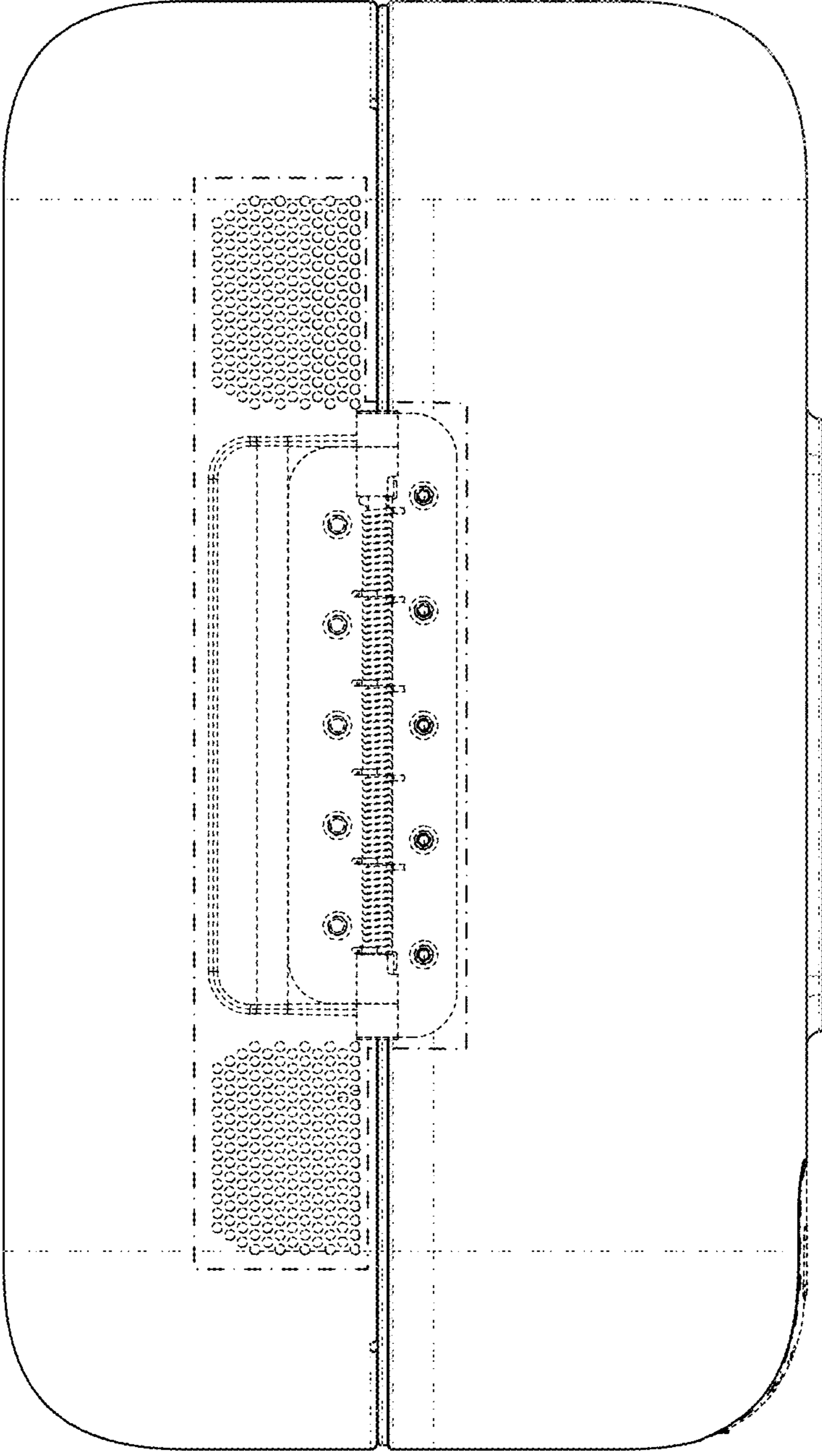


FIG. 14

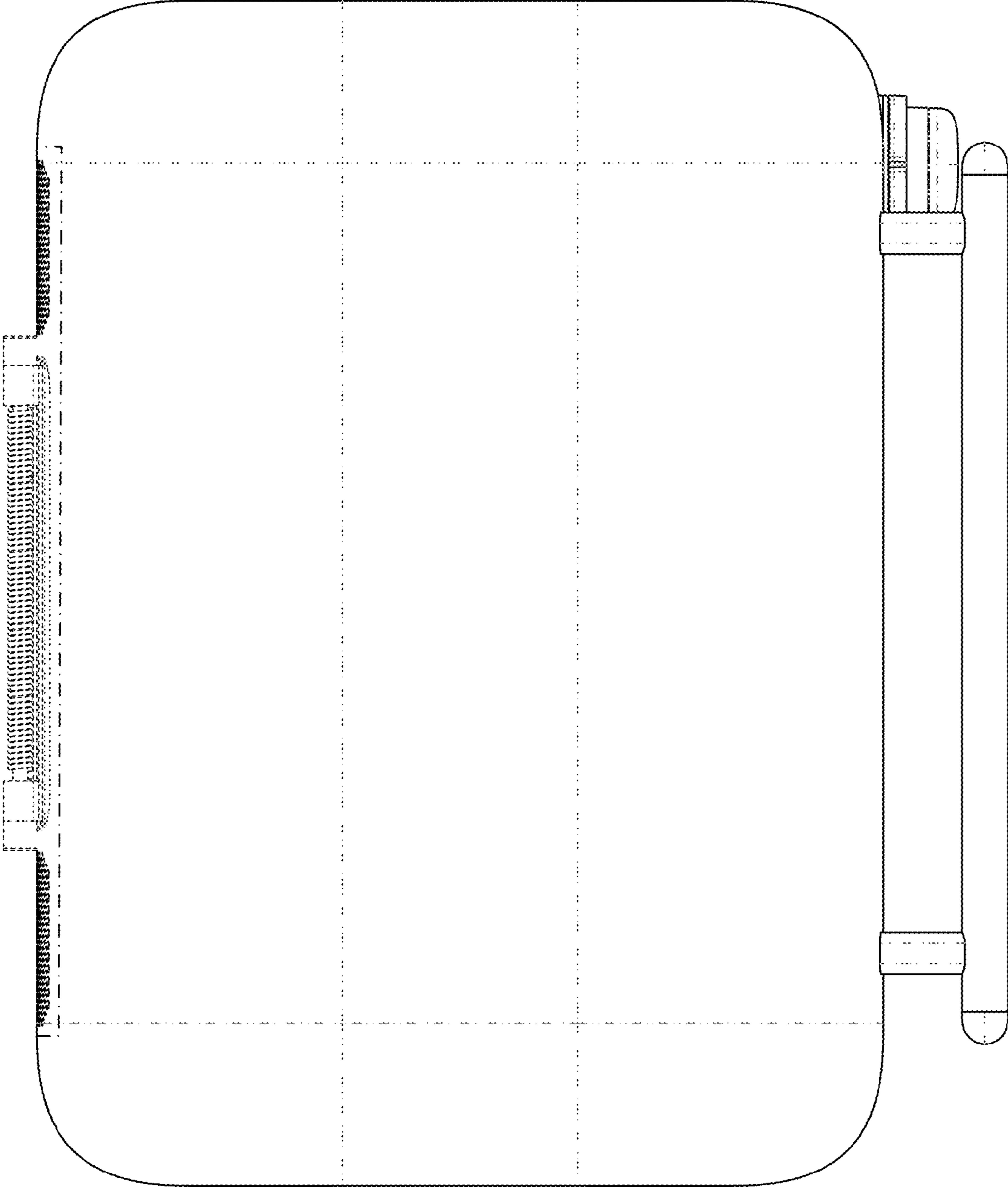


FIG. 15

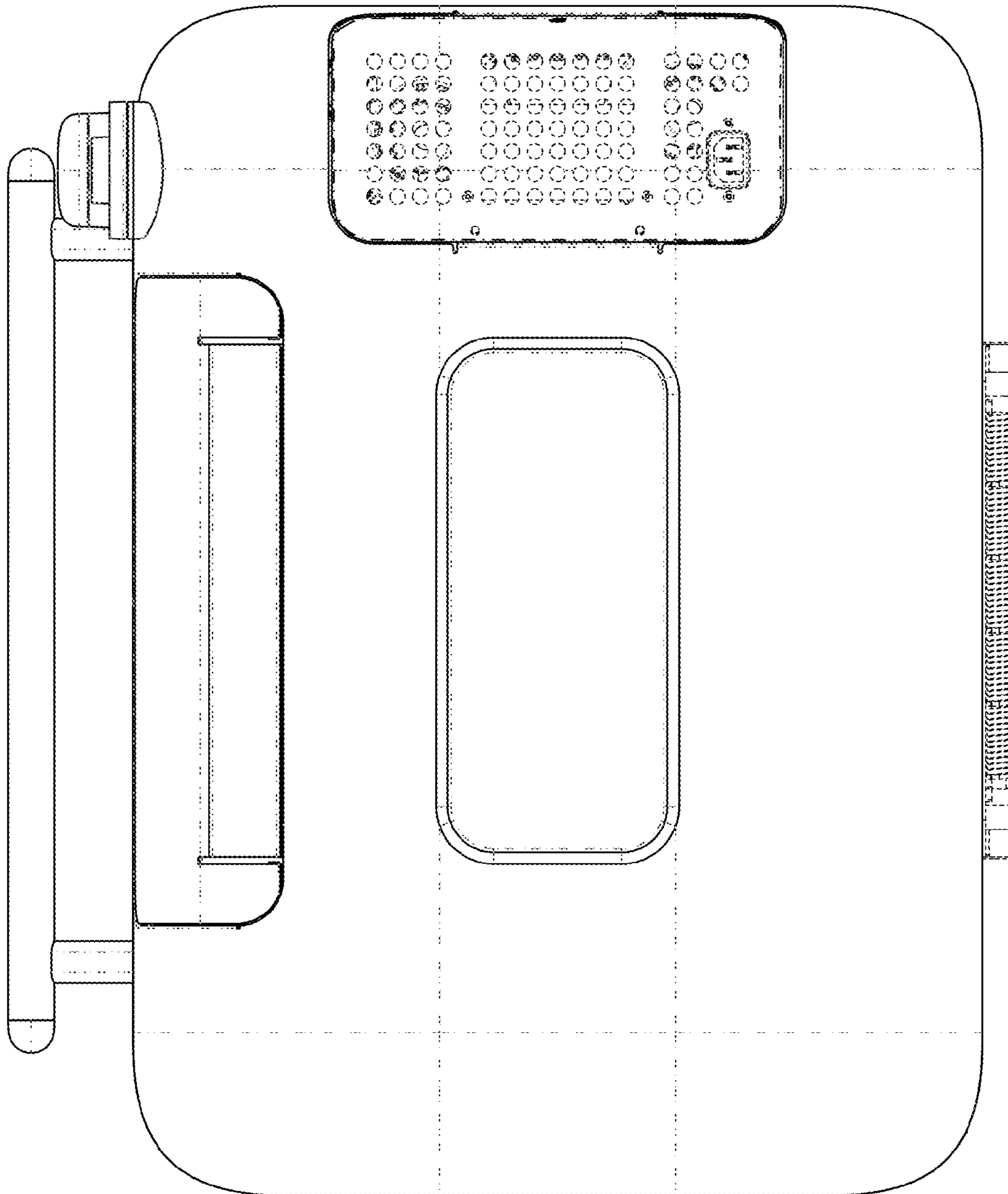


FIG. 16

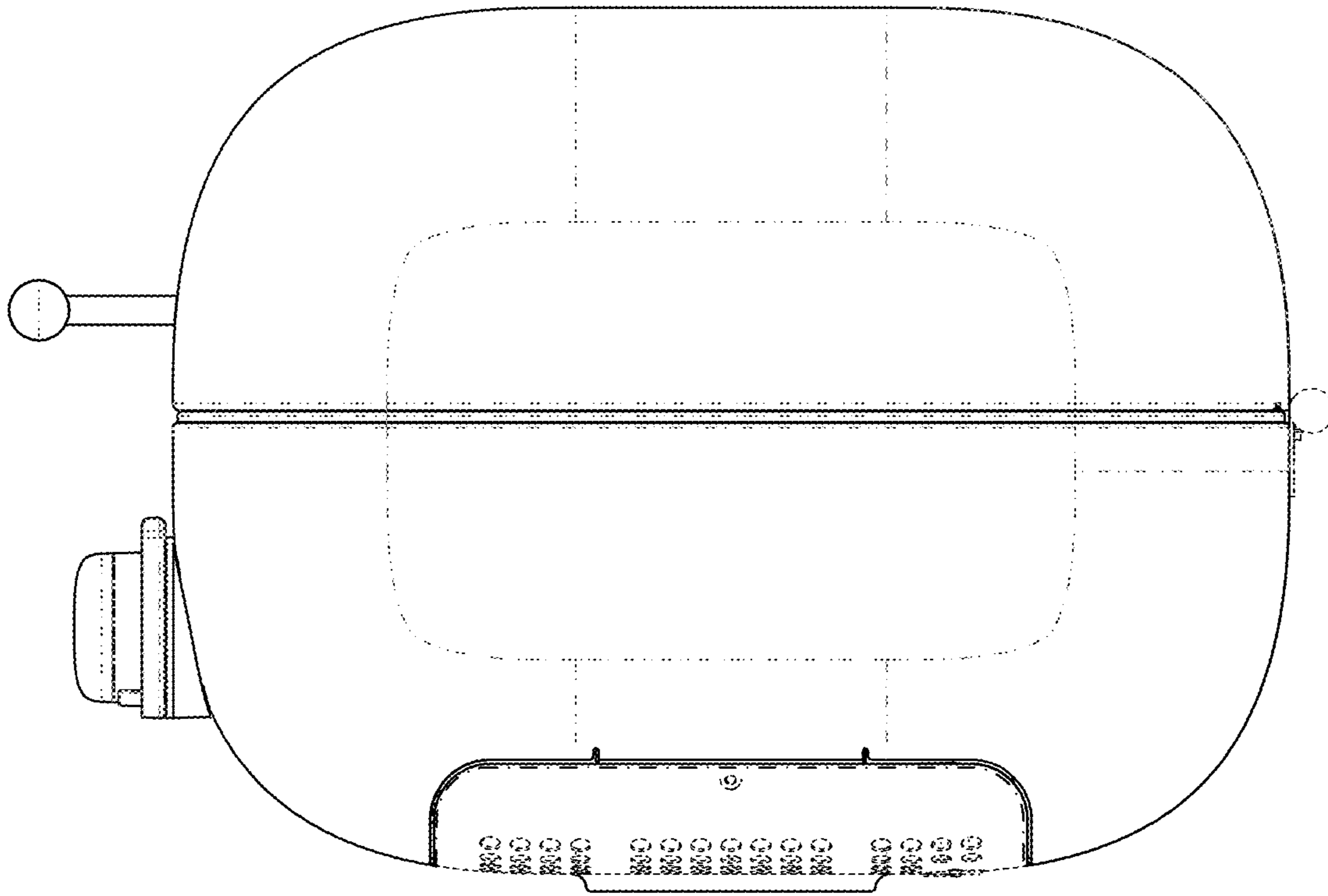


FIG. 17

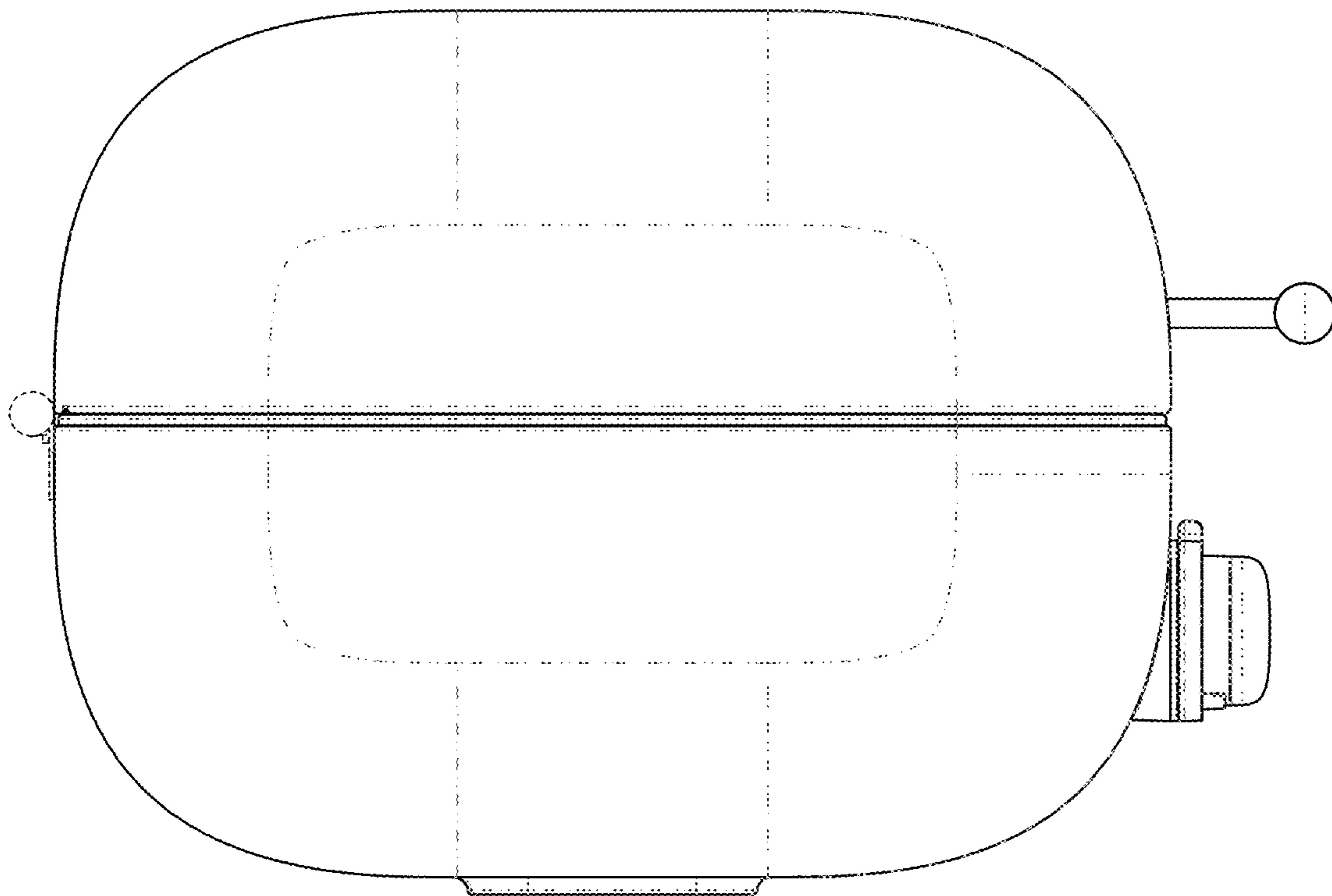


FIG. 18

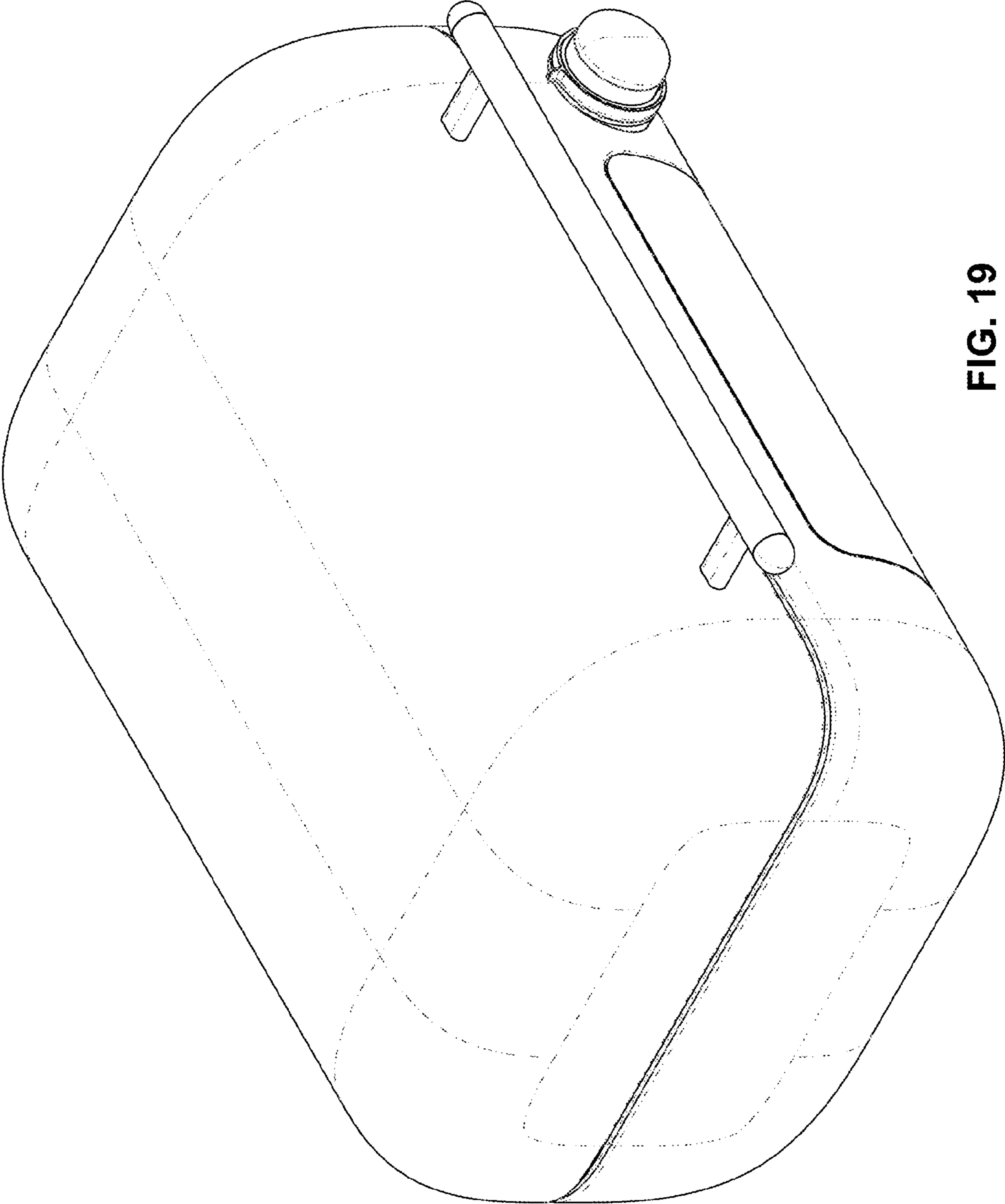


FIG. 19

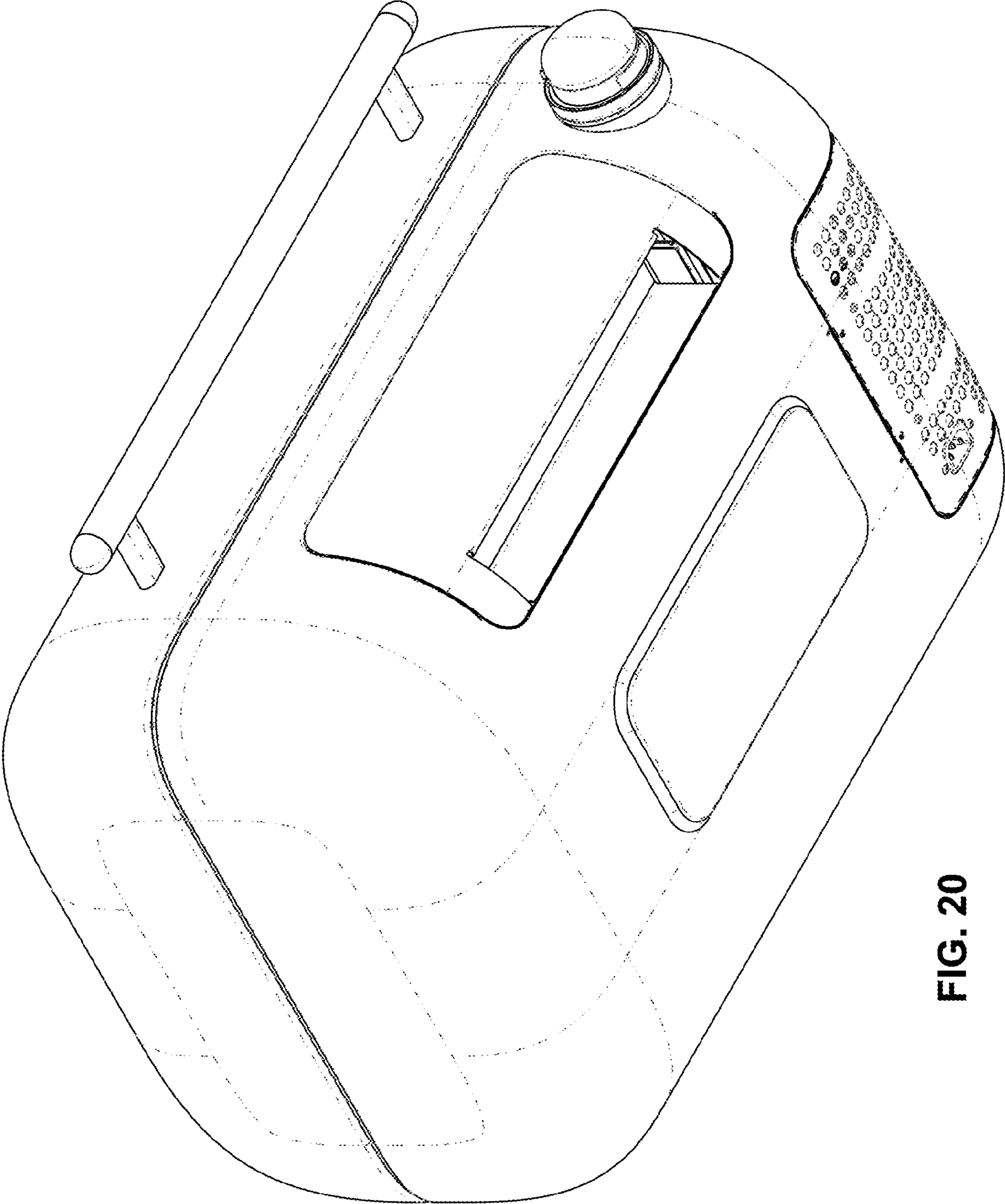


FIG. 20

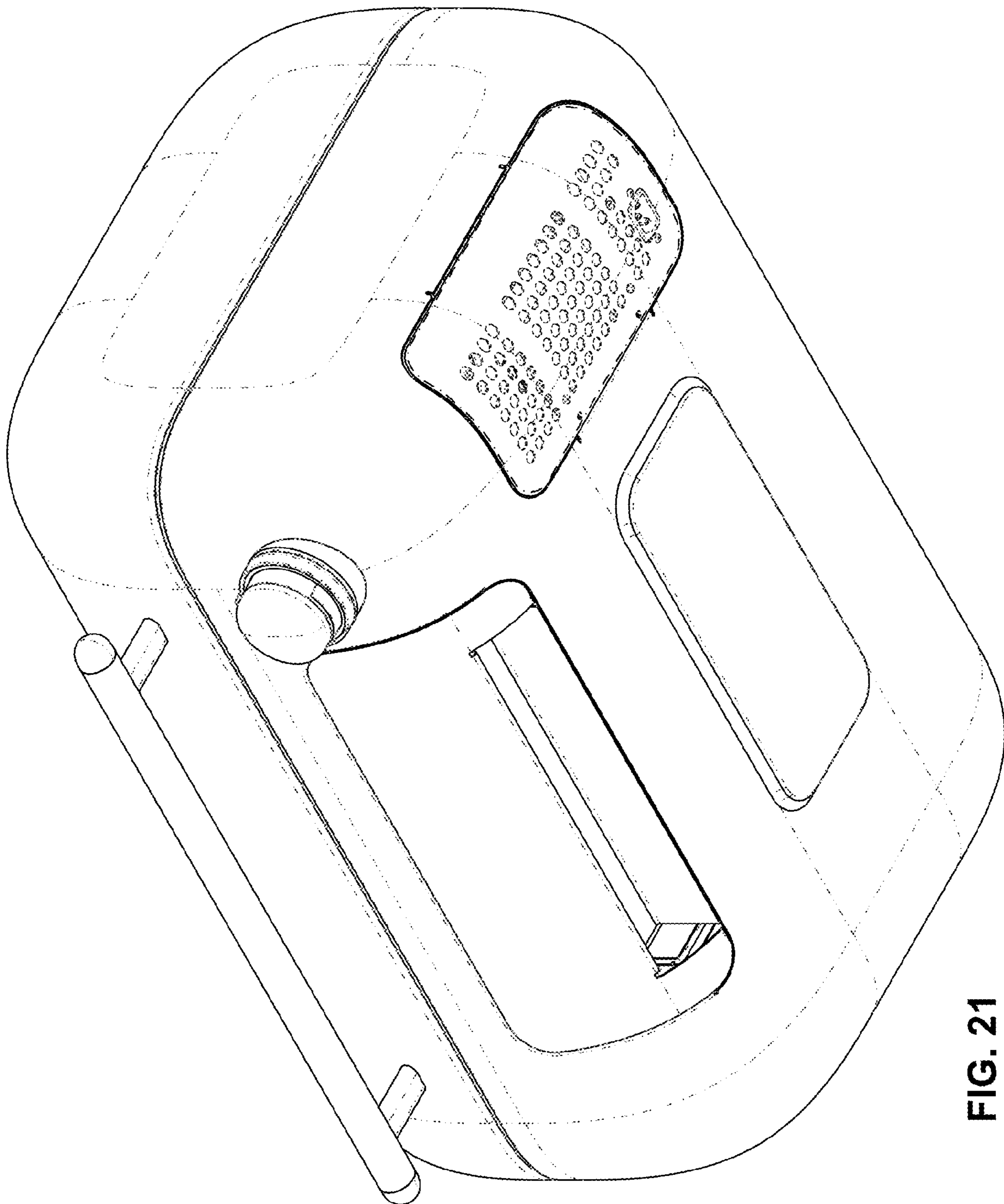


FIG. 21

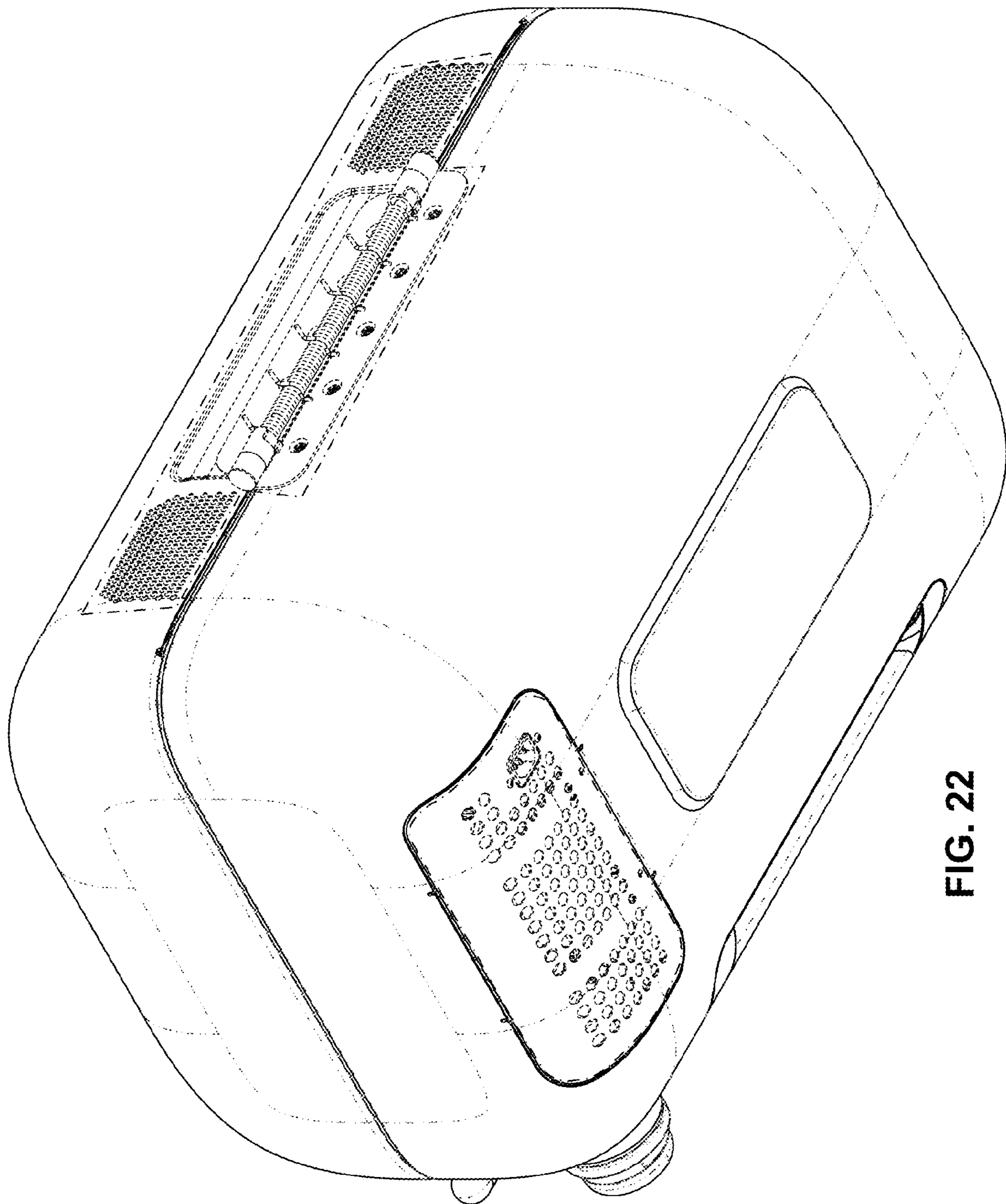


FIG. 22