



US00D941074S

(12) **United States Design Patent**
Lavins

(10) **Patent No.:** **US D941,074 S**
(45) **Date of Patent:** **** Jan. 18, 2022**

- (54) **FOOD PREPARATION DEVICE**
- (71) Applicant: **SHARKNINJA OPERATING LLC**,
Needham, MA (US)
- (72) Inventor: **Nathaniel R. Lavins**, Somerville, MA
(US)
- (73) Assignee: **Sharkninja Operating LLC**, Needham,
MA (US)
- (**) Term: **15 Years**
- (21) Appl. No.: **29/743,232**
- (22) Filed: **Jul. 20, 2020**
- (51) **LOC (13) Cl.** **07-02**
- (52) **U.S. Cl.**
USPC **D7/328**
- (58) **Field of Classification Search**
USPC D7/323, 328, 350.1, 351, 354-361, 405
CPC A23L 1/01; A23L 1/0107; A23L 1/0114;
A47J 27/00; A47J 27/004; A47J 27/08;
A47J 27/09; A47J 27/092; A47J 36/025;
A47J 36/06; A47J 36/08; A47J 36/10;
A47J 36/12; A47J 36/18; A47J 36/20;
A47J 36/22; A47J 36/165; A47J 37/00;
A47J 37/12; A47J 37/129; A47J 37/1204;
A47J 37/1209; A47J 37/1214; A47J
37/1219; A47J 37/1266; A47J 37/1285;
A47J 37/1295; G07F 17/0064; G07F
17/0078; G07F 17/0085; H05B 6/02;
H05B 6/06; H05B 6/12
See application file for complete search history.

- D655,129 S * 3/2012 Gresko D7/350.1
- D662,759 S * 7/2012 Blacken D7/328
- D839,039 S * 1/2019 Marsh-Croft D7/350.1
- D842,639 S * 3/2019 Yuan D7/350.1
- D855,372 S * 8/2019 Ye D7/328
- D892,532 S * 8/2020 Gushwa D7/328

FOREIGN PATENT DOCUMENTS

EP 0833110 B1 4/1998

OTHER PUBLICATIONS

KPX Air Fryer Toaster Oven. Date First Available on Amazon.com
Sep. 1, 2020. <https://www.amazon.com/dp/B08BCDDQC2/ref> (Year:
2020).*

* cited by examiner

Primary Examiner — Ricky Pham

(74) *Attorney, Agent, or Firm* — Mintz Levin Cohn Ferris
Glovsky and Popeo, PC; Lisa Adams

(57) **CLAIM**

The ornamental design for a food preparation device, as
shown and described.

DESCRIPTION

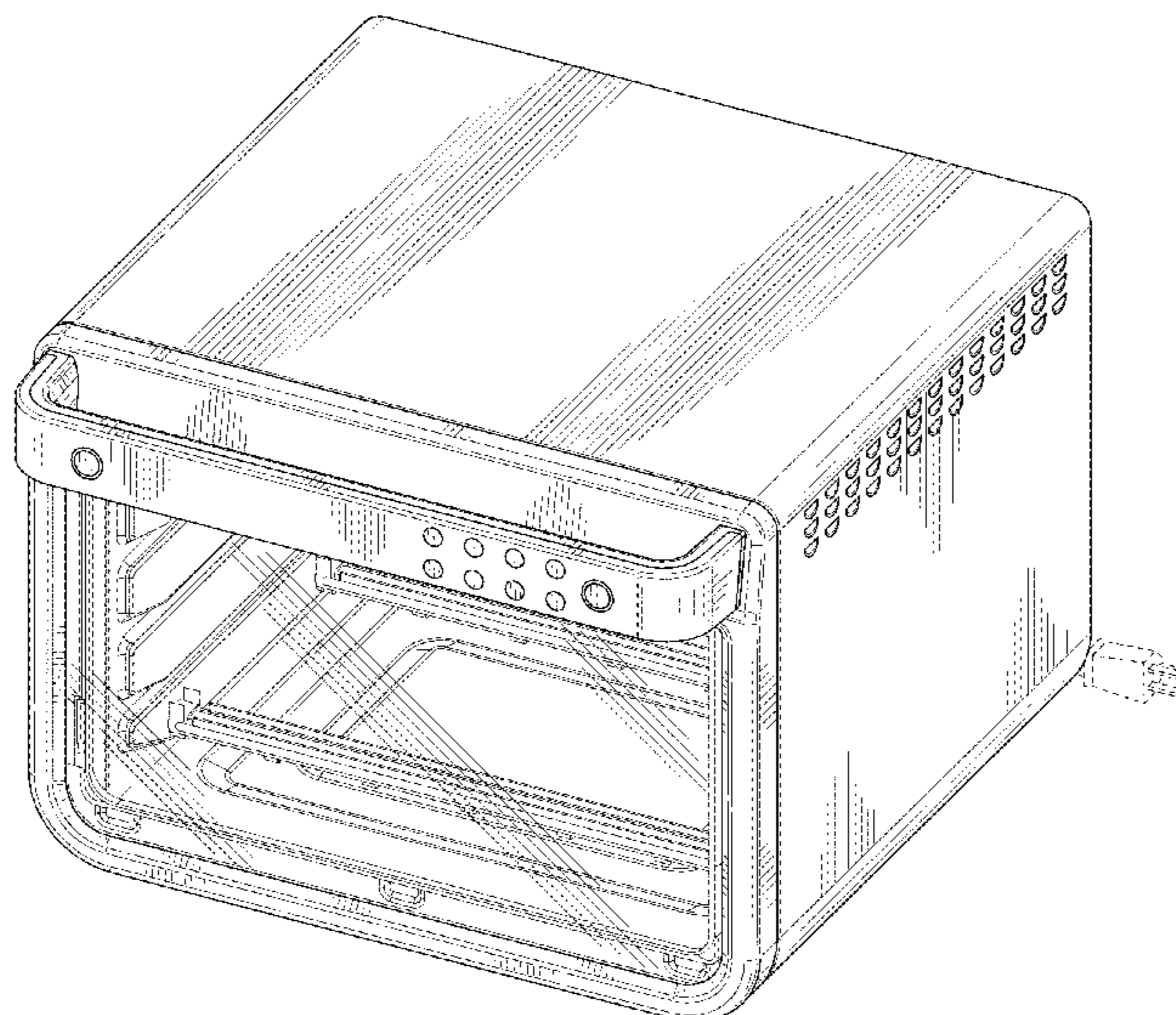
FIG. 1 is a perspective view of a food preparation device
showing my new design;
FIG. 2 is a front view of the embodiment shown in FIG. 1;
FIG. 3 is a rear view of the embodiment shown in FIG. 1;
FIG. 4 is a side view of the embodiment shown in FIG. 1;
FIG. 5 is another side view of the embodiment shown in
FIG. 1;
FIG. 6 is a top view of the embodiment shown in FIG. 1;
and,
FIG. 7 is a bottom view of the embodiment shown in FIG.
1.
The broken lines in the drawings are for environmental
purposes only and form no part of the claimed design.

1 Claim, 7 Drawing Sheets

(56) **References Cited**

U.S. PATENT DOCUMENTS

- D481,582 S * 11/2003 Seum D7/350.1
- D489,934 S * 5/2004 Sagawa D7/351
- D495,556 S * 9/2004 Milrud D7/405
- D540,613 S * 4/2007 Jeon D7/350.1



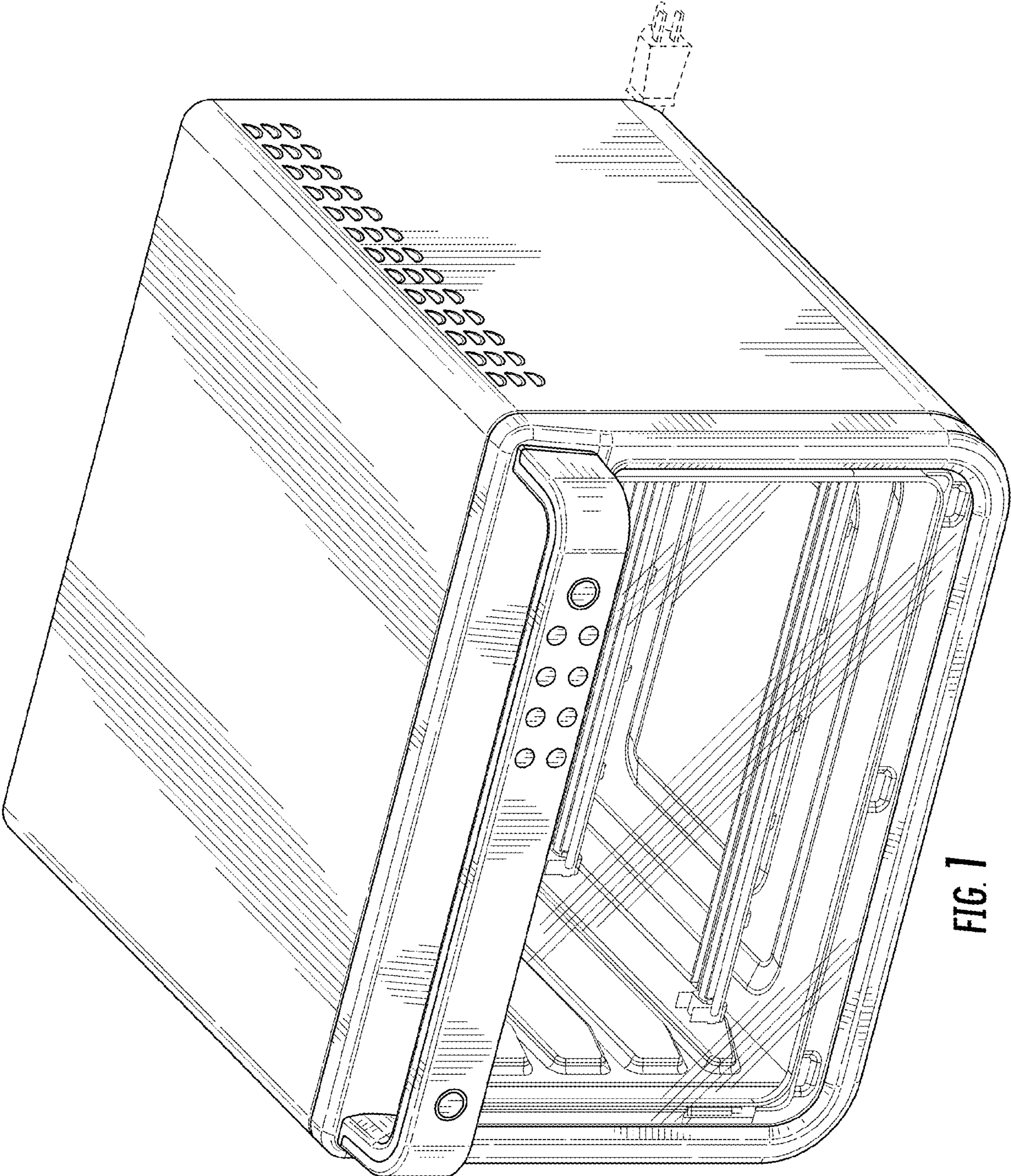


FIG. 1

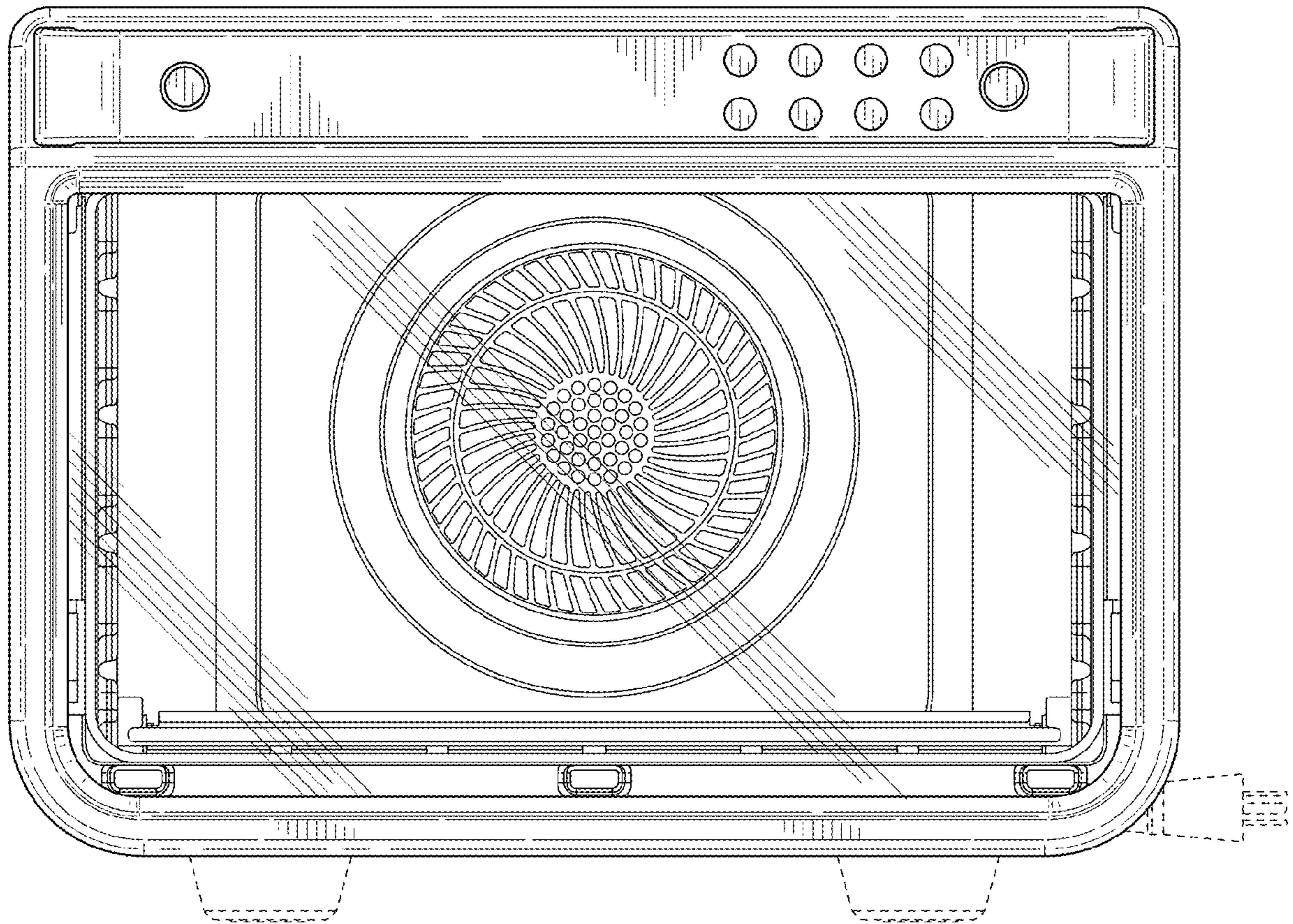


FIG. 2

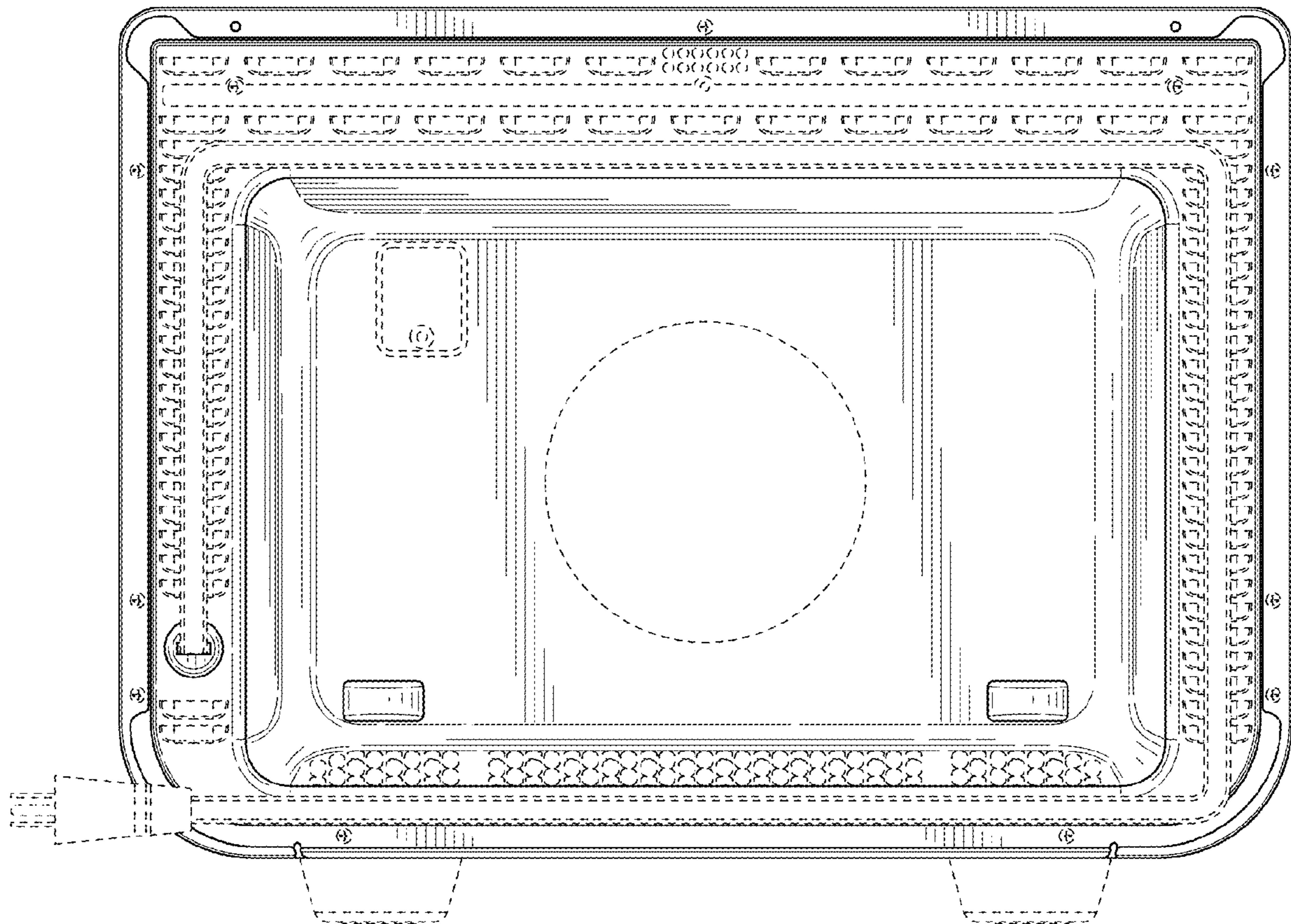


FIG. 3

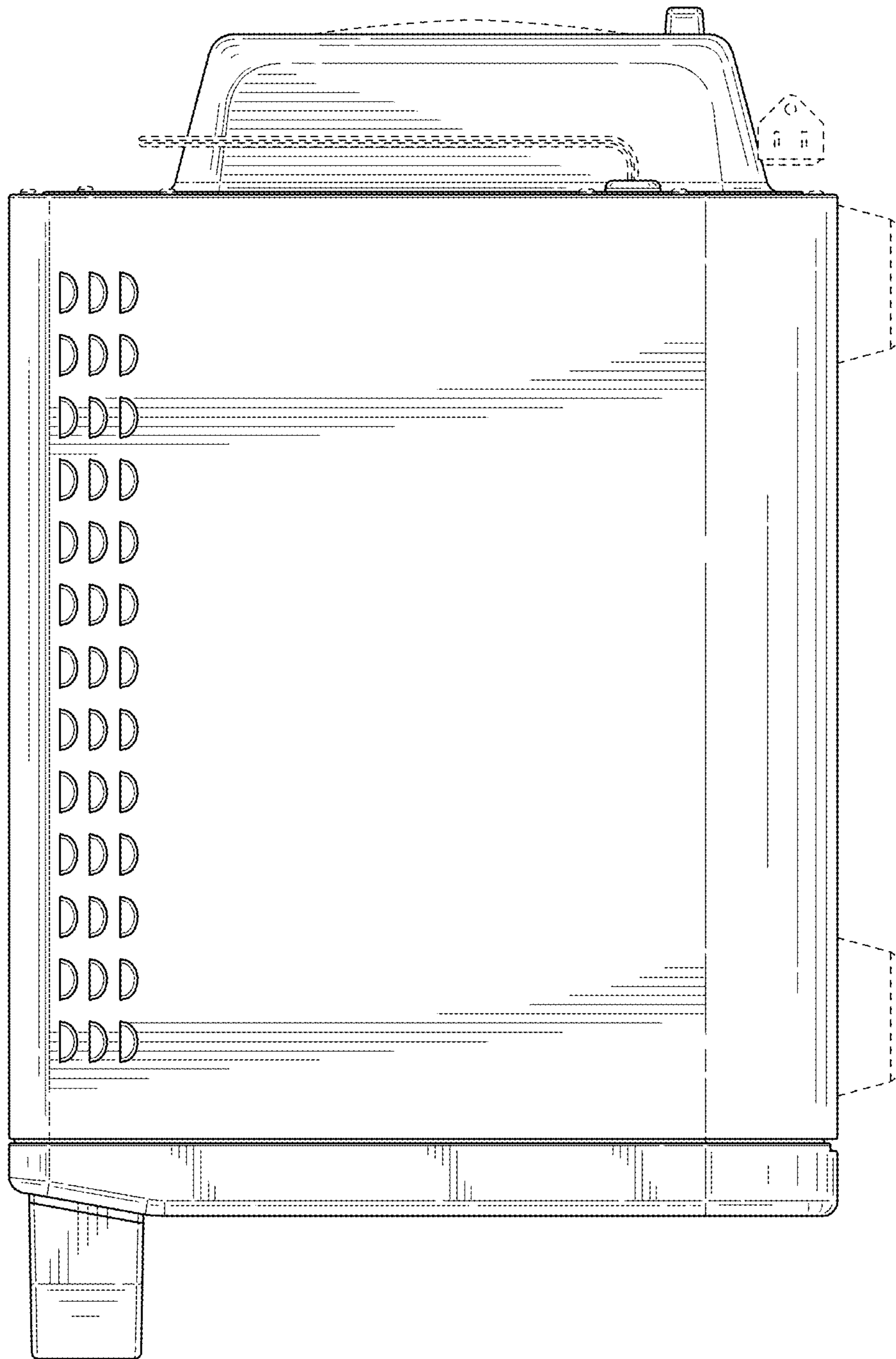


FIG. 4

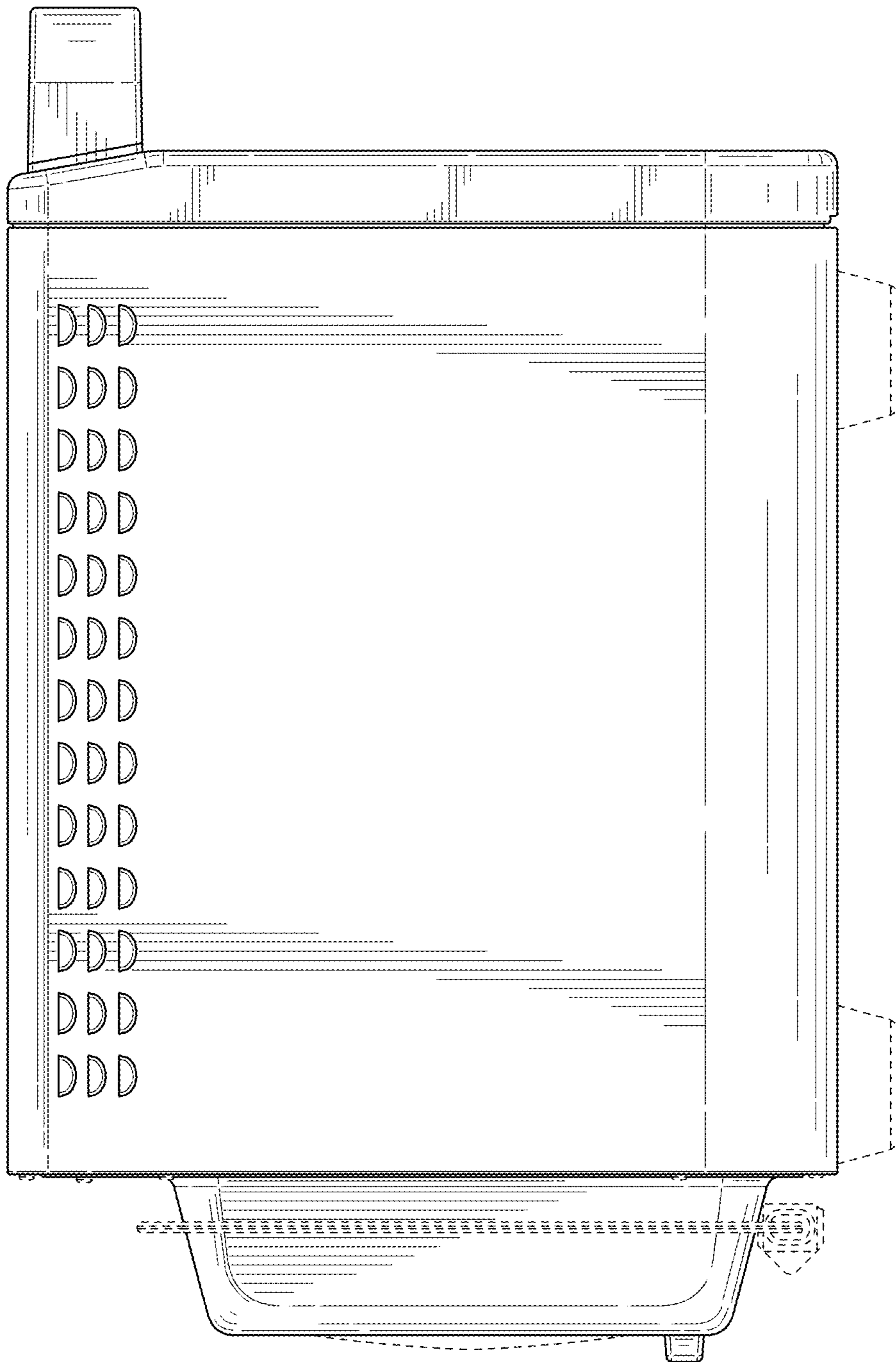


FIG. 5

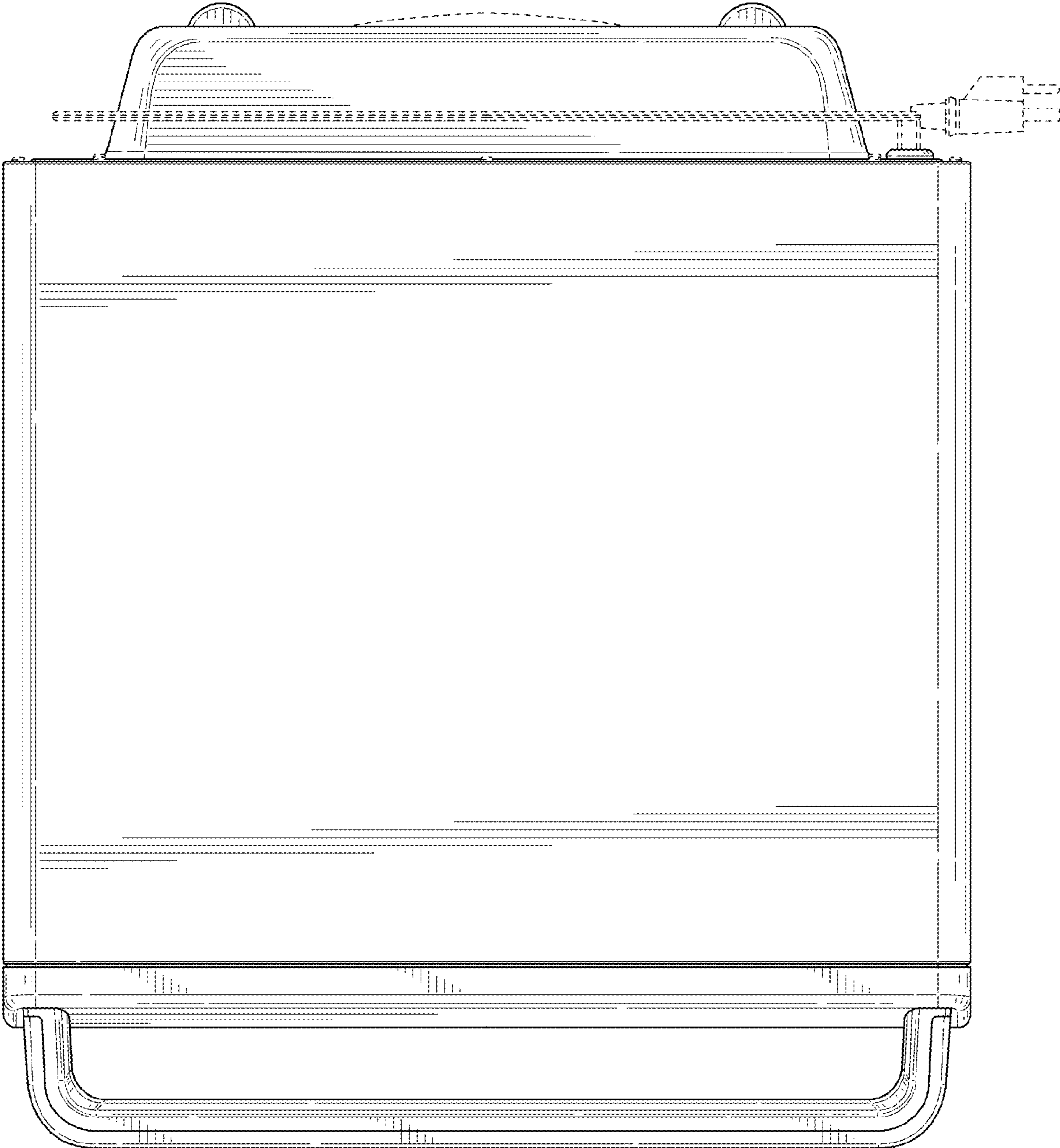


FIG. 6

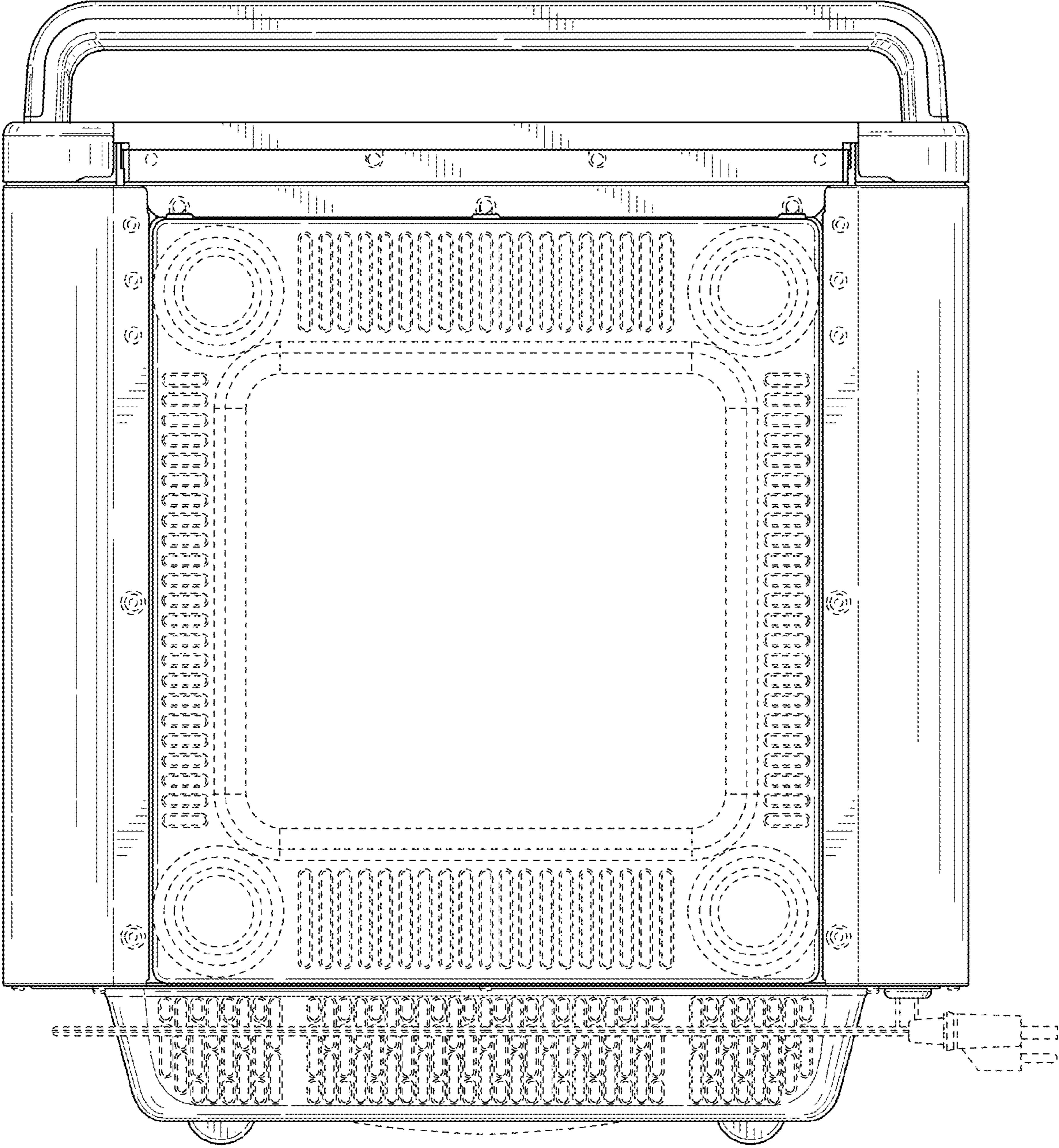


FIG. 7