



US00D941070S

(12) **United States Design Patent**
Chipman et al.

(10) **Patent No.:** **US D941,070 S**
(45) **Date of Patent:** **** Jan. 18, 2022**

(54) **BENCH**

(57) **CLAIM**

(71) Applicant: **LANDSCAPE FORMS, INC.**,
Kalamazoo, MI (US)

The ornamental design for a bench, as shown and described.

(72) Inventors: **Robert G. Chipman**, West Lake Hills,
TX (US); **Site Li**, Kalamazoo, MI (US);
James M. Bucholtz, Paw Paw, MI
(US)

DESCRIPTION

(73) Assignee: **LANDSCAPE FORMS, INC.**,
Kalamazoo, MI (US)

This application is related to commonly assigned, co-filed U.S. design patent application Ser. No. 29/728,577, filed on Mar. 19, 2020, by Chipman et al. and entitled "Bench"; U.S. design patent application Ser. No. 29/728,579, filed on Mar. 19, 2020, by Chipman et al. entitled "Bench"; U.S. design patent application Ser. No. 29/728,580, filed on Mar. 19, 2020, by Chipman et al. and entitled "Bench"; U.S. design patent application Ser. No. 29/728,581, filed on Mar. 19, 2020, by Chipman et al. and entitled "Bench"; U.S. design patent application Ser. No. 29/728,582, filed on Mar. 19, 2020, by Chipman et al. and entitled "Bench"; U.S. design patent application Ser. No. 29/728,593, filed on Mar. 19, 2020, by Chipman et al. and entitled "Bench"; U.S. design patent application Ser. No. 29/728,594, filed on Mar. 19, 2020, by Chipman et al. and entitled "Bench"; U.S. design patent application Ser. No. 29/728,595, filed on Mar. 19, 2020, by Chipman et al. and entitled "Bench"; and U.S. design patent application Ser. No. 29/728,596, filed on Mar. 19, 2020, by Chipman et al. and entitled "Bench"; which applications are hereby incorporated herein by reference in their entirety.

(**) Term: **15 Years**

(21) Appl. No.: **29/728,591**

(22) Filed: **Mar. 19, 2020**

(51) **LOC (13) Cl.** **06-06**

(52) **U.S. Cl.**
USPC **D6/709**; D6/349

(58) **Field of Classification Search**
USPC D6/334-338, 335-336, 349, 351, 353,
D6/369, 370, 371, 374, 376, 377, 381,
(Continued)

(56) **References Cited**

U.S. PATENT DOCUMENTS

D159,947 S 9/1950 Bell
3,093,096 A 6/1963 Black et al.
(Continued)

OTHER PUBLICATIONS

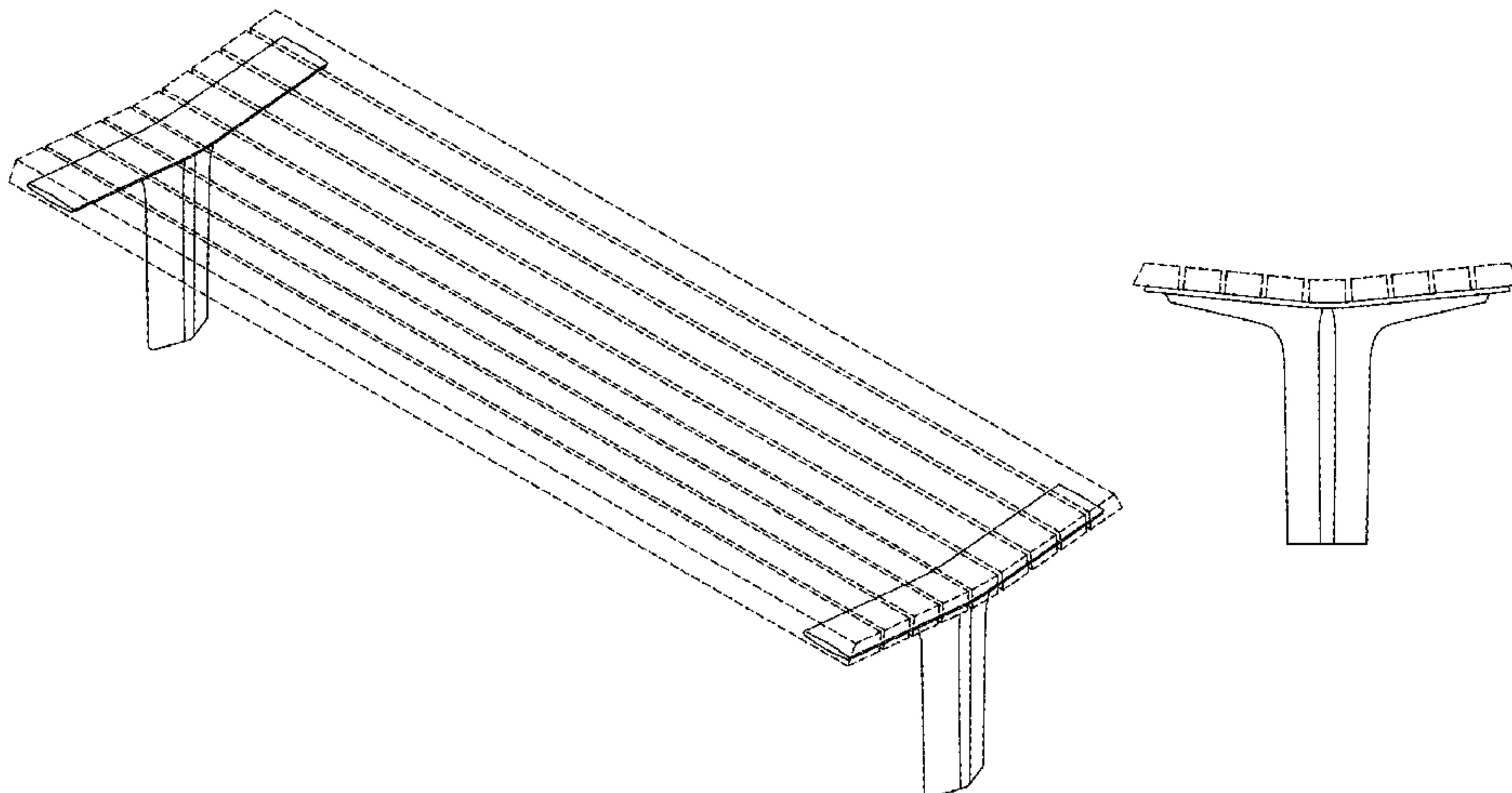
Generation 50 Bench. [online] Retrieved Aug. 11, 2021 from URL:
<https://www.landscapeforms.com/en-US/product/Pages/Generation-50-Bench.aspx>.*

(Continued)

Primary Examiner — Vy N Koenig
(74) *Attorney, Agent, or Firm* — Heslin Rothenberg
Farley & Mesiti P.C.

FIG. 1 is a perspective view of a bench in accordance with the new design;
FIG. 2 is a front elevational view thereof, a rear elevational view being a mirror image thereof;
FIG. 3 is a right side elevational view thereof, a left side elevational view being a mirror image thereof;
FIG. 4 is a top view thereof;
FIG. 5 is a bottom view thereof; and,
FIG. 6 is an alternative embodiment of the bench in accordance with the new design, showing a symbolic break in the width (which is the sole difference between it and FIGS. 1-5) and conveying that any appearance of any portion of the bench between the symbolic break forms no part of the claimed design.

(Continued)



The broken lines in the figures are included for illustrating environment and the symbolic break and form no part of the claimed design.

1 Claim, 6 Drawing Sheets

(58) Field of Classification Search

USPC D6/673, 675, 691, 691.1, 691.9, 692.5,
D6/709, 709.2, 712, 716, 716.1, 717
CPC A47C 11/00; A47C 13/00; A47C 16/02-04
See application file for complete search history.

(56) References Cited

U.S. PATENT DOCUMENTS

D215,430	S	*	9/1969	Suzuki	D6/349
D263,353	S	*	3/1982	Beals	D6/370
D314,677	S	*	2/1991	Hanna	D6/370
D366,773	S		2/1996	Yurk		
D369,914	S		5/1996	Kim et al.		
D419,341	S		1/2000	Chipman		
D420,814	S		2/2000	Hornyak		
D453,424	S		2/2002	Stewart		
D457,738	S		5/2002	Slear et al.		
D481,210	S		10/2003	Chipman		
D481,211	S		10/2003	Chipman		
D482,885	S		12/2003	Chipman		
D505,559	S	*	5/2005	Sun	D6/349
D507,420	S		7/2005	Reza-Hadden		
D510,199	S		10/2005	Messier		
D512,229	S		12/2005	Reza-Hadden		
D522,283	S		6/2006	Schiefer et al.		
D523,666	S		6/2006	Schiefer et al.		
D525,809	S		8/2006	Hughes		
D526,147	S	*	8/2006	Schiefer	D6/717
D526,148	S		8/2006	Schiefer et al.		
D528,831	S		9/2006	Rizzi		
D529,736	S		10/2006	McCurry		
D532,630	S		11/2006	Rizzi		
D534,021	S		12/2006	Rizzi		
D562,035	S		2/2008	Pappas		
D569,122	S	*	5/2008	Flaherty	D6/381
D577,927	S		10/2008	Balsley		
D578,783	S	*	10/2008	Skalka	D6/355
D578,784	S		10/2008	Balsley		
D579,227	S		10/2008	Skalka		
D583,160	S		12/2008	Balsley		
D585,209	S	*	1/2009	Skalka	D6/381
D585,210	S		1/2009	Rizzi		
D585,211	S		1/2009	Rizzi		
D586,144	S	*	2/2009	Skalka	D6/381
D601,361	S		10/2009	Schwartz et al.		
D609,933	S	*	2/2010	Skalka	D6/381
7,918,509	B1	*	4/2011	Chen	A47C 11/00 297/440.22
D700,730	S		3/2014	Behar et al.		
D710,625	S		8/2014	Skalka		
D710,626	S	*	8/2014	Skalka	D6/370
D712,184	S		9/2014	Behar et al.		
D713,190	S		9/2014	Behar et al.		
D714,561	S		10/2014	Lange		
D719,368	S	*	12/2014	Karasek	D6/370
D724,366	S	*	3/2015	Gerard	D6/709
D747,906	S		1/2016	Paz		
D748,422	S		2/2016	Paz		
D785,354	S		5/2017	Lin		
D794,971	S		8/2017	Lawrence		
D798,073	S		9/2017	Asner		
D798,076	S		9/2017	Asner		
D854,346	S	*	7/2019	Lawrence	A47C 1/143 D6/370

OTHER PUBLICATIONS

Mild steel and merbau wood backless park bench. [online] Retrieved Aug. 11, 2021 from URL: https://www.alibaba.com/product-detail/Mild-steel-and-merbau-wood-backless_62449020180.html?spm=a2700.7724857.normal_offer.d_title.7cd2359c9UYjje.*

Citi Elements Powder Coated and Softwood Timber Bench. [online] Retrieved Aug. 11, 2021 from URL: https://www.bollardsdirect.co.uk/products/citi-elements-powder-coated-and-softwood-timber-bench.*

Camphor solid wood furniture long wood benches with backless seat bench garden park outdoor benches. [online] Retrieved Aug. 11, 2021 from URL: https://www.alibaba.com/product-detail/Camphor-solid-wood-furniture-long-wood_1600219601670.html?spm=a2700.7724857.normal_offer.d_title.1b5b359cdAX8j9.*

29728591_OrbitForeignRefs.pdf. Design © Questel orbit.com. [Online PDF compilation of references] 5 pgs. Retrieved Aug. 13, 2021 from URL: https://www.orbit.com/export/QPTUJ190/pdf2/f3d019b0-1dd8-4ec9-9e95-0883b5a7ea19-190539.pdf.*

Chipman et al., Design U.S. Appl. No. 29/728,579, filed Mar. 19, 2020, entitled “Bench”.

Chipman et al., Design U.S. Appl. No. 29/728,580, filed Mar. 19, 2020, entitled “Bench”.

Chipman et al., Design U.S. Appl. No. 29/728,581, filed Mar. 19, 2020, entitled “Bench”.

Chipman et al., Design U.S. Appl. No. 29/728,582, filed Mar. 19, 2020, entitled “Bench”.

Chipman et al., Design U.S. Appl. No. 29/728,577, filed Mar. 19, 2020, entitled “Bench”.

Chipman et al., Design U.S. Appl. No. 29/728,593, filed Mar. 19, 2020, entitled “Bench”.

Chipman et al., Design U.S. Appl. No. 29/728,594, filed Mar. 19, 2020, entitled “Bench”.

Chipman et al., Design U.S. Appl. No. 29/728,595, filed Mar. 19, 2020, entitled “Bench”.

Chipman et al., Design U.S. Appl. No. 29/728,596, filed Mar. 19, 2020, entitled “Bench”.

29728577_OrbitForeignRefs.pdf. Design © Questel orbit.com. [Online PDF compilation of references] 7 pgs. Retrieved Aug. 13, 2021 from URL: <https://www.orbit.com/export/QPTUJ190/pdf2/1a08ba52-2449-469e-97c5-9af3381b9ee4-170806.pdf>

Hot sale luxury modern metal garden furniture outdoor school backless benches. [online] Retrieved Aug. 11, 2021 from URL: https://www.alibaba.com/product-detail/hot-sale-luxury-modern-metal-garden_1600189906169.html?spm=a2700.7724857.normal_offer.d_title.4258359cbLtBCz

2300 Series. Iconic Backed / Backless Benches, [online] Retrieved Aug. 11, 2021 from URL: <https://www.maglin.com/product/iconic-backed-backless-benches/>

Global Industrial™ 4 ft. Outdoor Park Bench without Back—Steel Slat—Black. [online] Retrieved Aug. 11, 2021 from URL: https://www.globalindustrial.com/p/4ft-outdoor-steel-slat-park-bench-without-back-black?infoParam.campaignId=T9F&gclid=Cj0KCQjw6s2IBhCnARIsAP8RfAhIS4xg9ncJKIXx_EG0vbOGmVe6uG2XXyrBoPxLFX28BJx3M0iAI4a

29728579_OrbitForeignRefs.pdf. Design © Questel orbit.com. [Online PDF compilation of references] 10 pgs. Retrieved Jul. 22, 2021 from URL: <https://www.orbit.com/export/QPTUJ190/pdf2/b39771c0-eae5-4e74-9e75-2076866df46f-183156.pdf>

29728593_OrbitForeignRefs.pdf. Design © Questel orbit.com. [Online PDF compilation of references] 5 pgs. Retrieved Aug. 13, 2021 from URL: <https://www.orbit.com/export/QPTUJ190/pdf2/f3d019b0-1dd8-4ec9-9e95-0883b5a7ea19-190539.pdf>

Arlau outdoor steel pipe backless high quality patio bench. [online] Retrieved Aug. 11, 2021 from URL: https://www.alibaba.com/product-detail/Arlau-outdoor-steel-pipe-backless-high_62236387275.html?spm=a2700.7724857.normal_offer.d_title.3976359cUZukZo

* cited by examiner

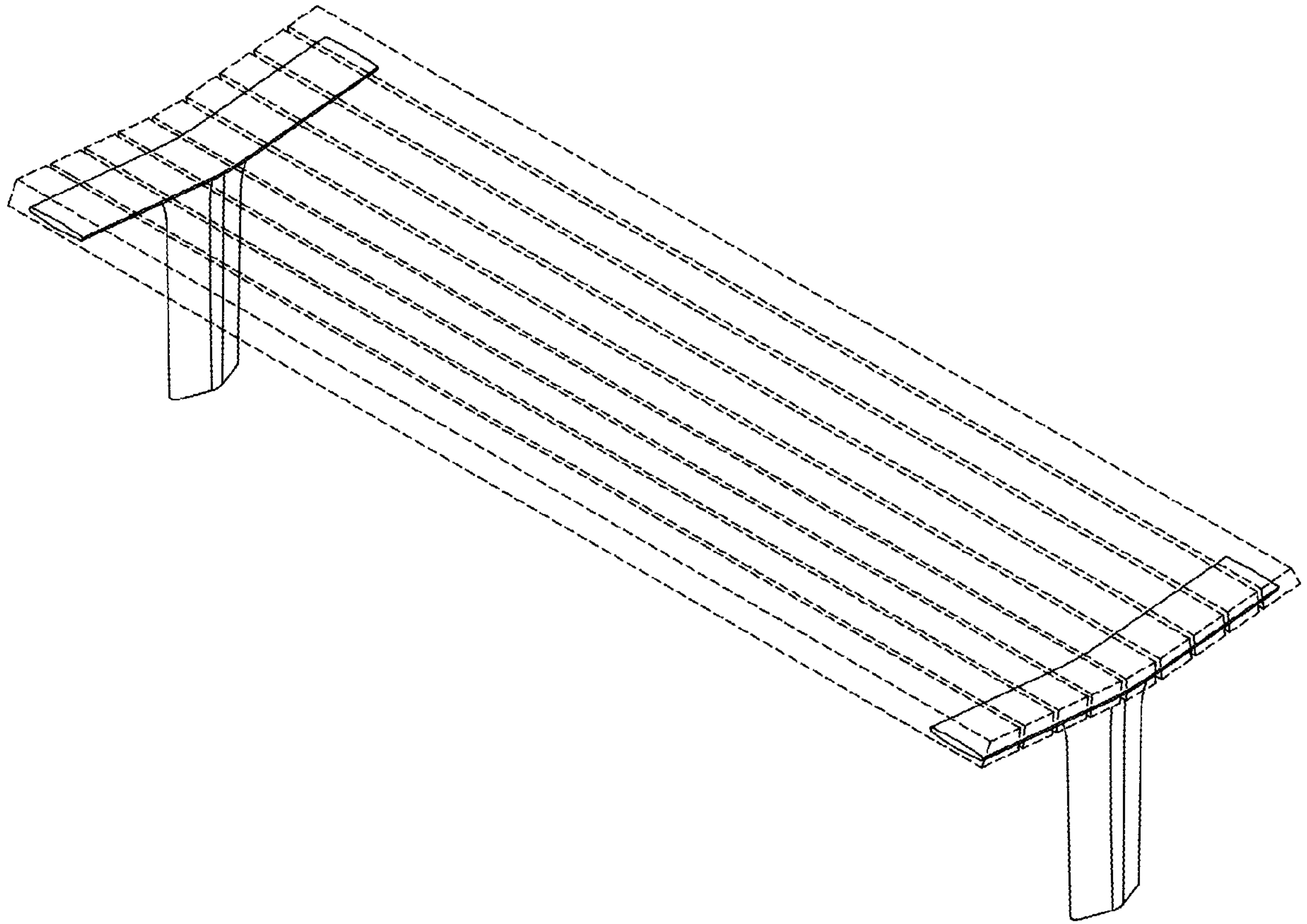


FIG. 1

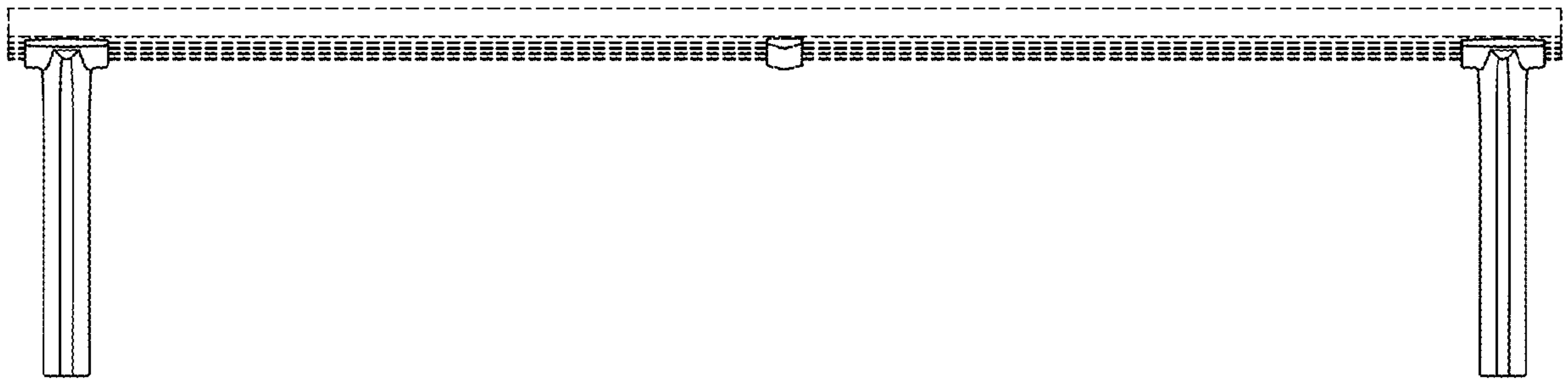


FIG. 2

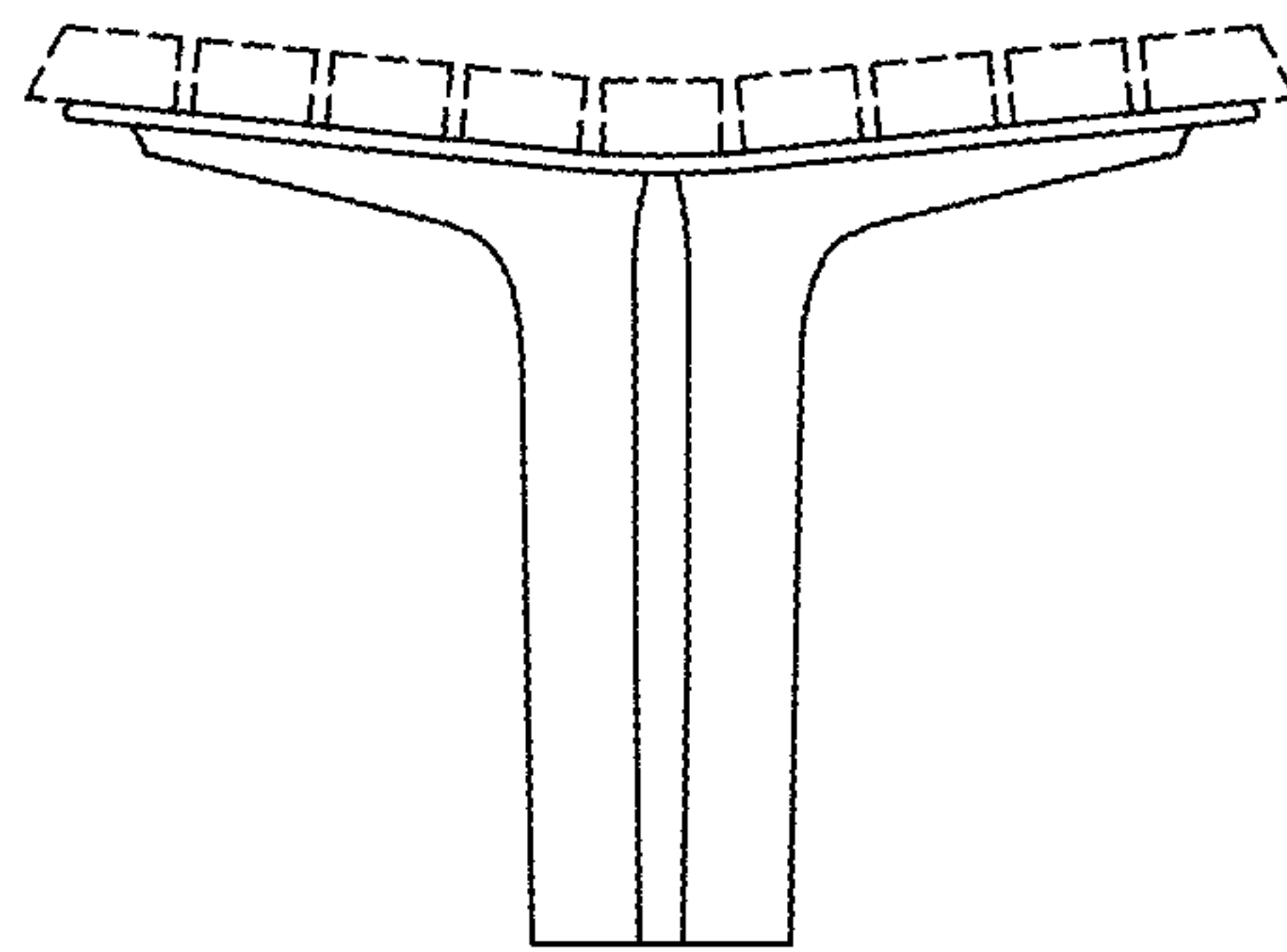


FIG. 3

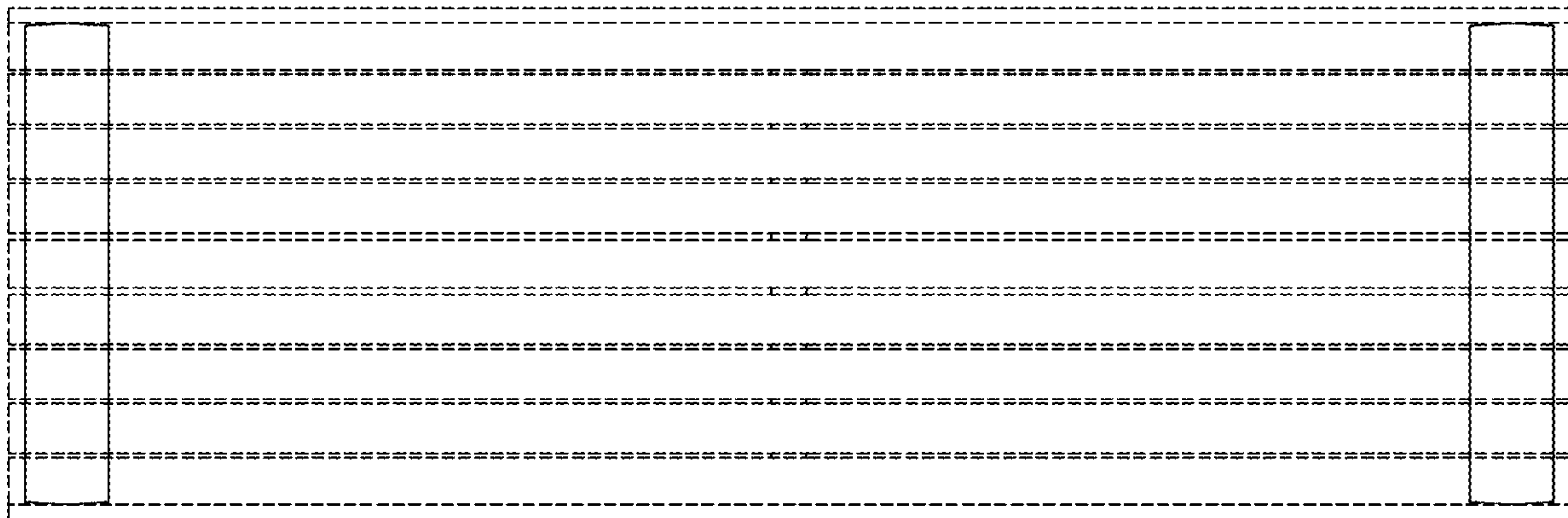


FIG. 4

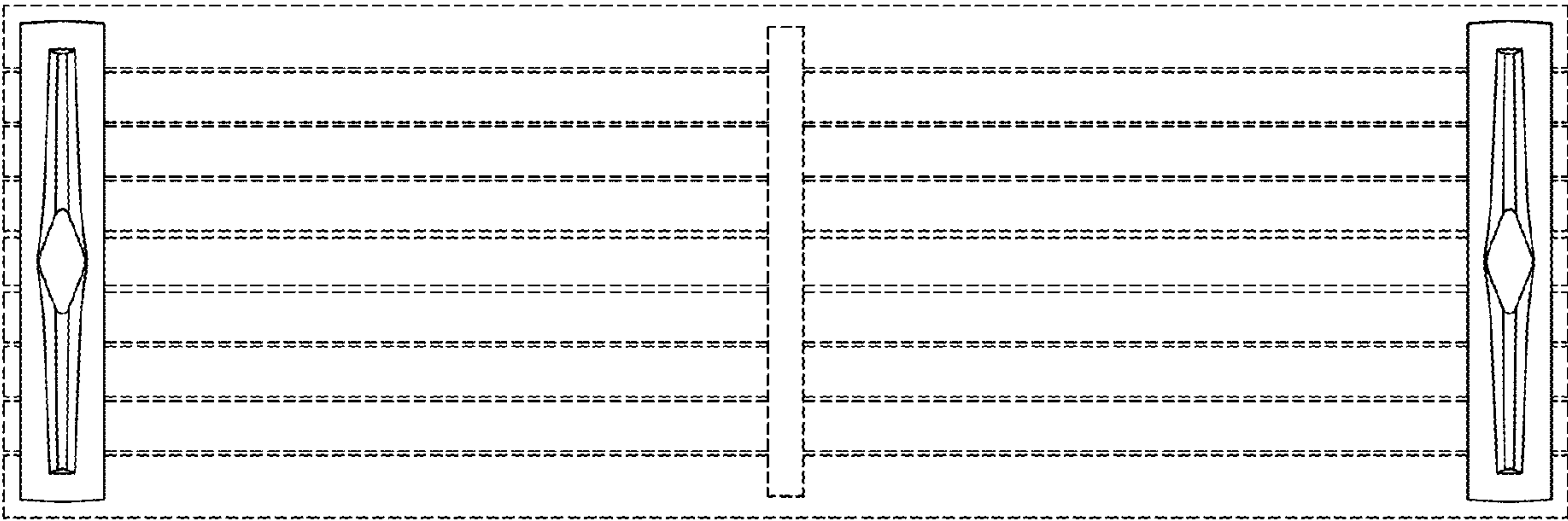


FIG. 5

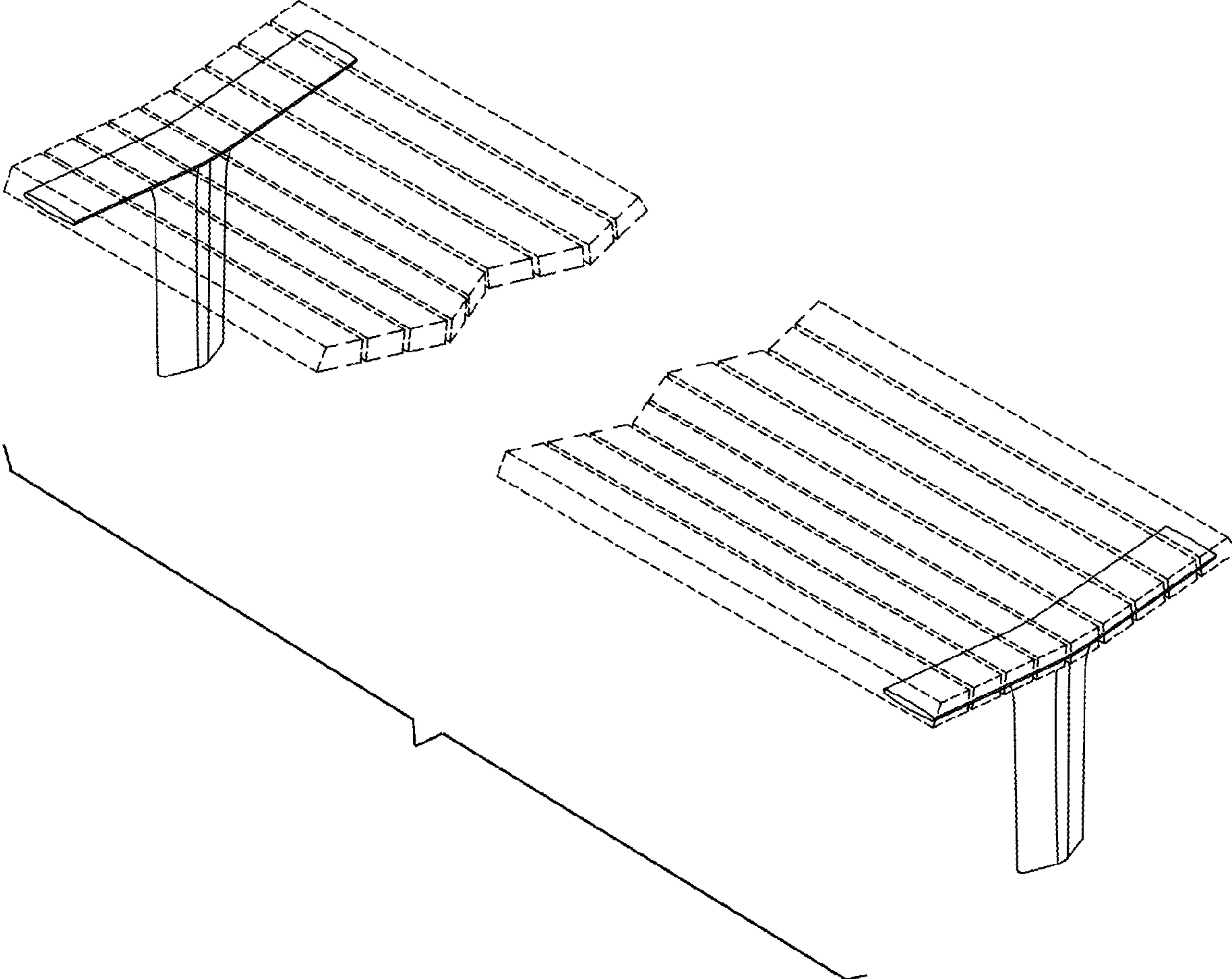


FIG. 6