



US00D941066S

(12) **United States Design Patent**  
**Thomas**

(10) **Patent No.:** **US D941,066 S**  
(45) **Date of Patent:** **\*\* Jan. 18, 2022**

- (54) **ADJUSTABLE HEALTH SHIELD**
- (71) Applicant: **Michelle Thomas**, Marietta, GA (US)
- (72) Inventor: **Michelle Thomas**, Marietta, GA (US)
- (\*\*) Term: **15 Years**
- (21) Appl. No.: **29/652,321**
- (22) Filed: **Jul. 20, 2020**
- (51) **LOC (13) Cl.** ..... **06-03**
- (52) **U.S. Cl.**  
USPC ..... **D6/699.5**
- (58) **Field of Classification Search**  
USPC ..... D6/714, 642, 300, 332, 688.16, 699.4,  
D6/699.3, 699.5, 643; D24/231, 234,  
D24/226; D25/48.4, 58; D14/450, 449  
CPC ..... A47B 19/06; A47B 27/00; A47B 17/00;  
A47B 91/024; A47G 5/00; E04B 2/74;  
E04B 2/7401; A47F 2010/65; G09F  
15/0068  
See application file for complete search history.

(56) **References Cited**

U.S. PATENT DOCUMENTS

- 847,287 A \* 3/1907 King ..... A47G 5/00  
160/135
- 4,241,777 A \* 12/1980 Wenger ..... A47G 5/00  
160/135
- D264,722 S 6/1982 Summers et al.
- D273,547 S \* 4/1984 Taub ..... D6/699.5
- 4,444,240 A \* 4/1984 Bannister ..... E04B 2/7431  
16/354
- 4,892,366 A \* 1/1990 Yerman ..... A47F 3/007  
108/152
- D310,311 S 9/1990 Bergen et al.
- D315,229 S 3/1991 Shufelt
- 5,012,852 A 5/1991 Blackhurst
- D332,497 S 1/1993 Shufelt
- D337,462 S \* 7/1993 LaVaute ..... D15/138
- D338,728 S 8/1993 Russell

- D350,657 S \* 9/1994 LaVaute ..... D6/699.5
- D355,036 S \* 1/1995 Shufelt ..... D24/232
- 5,584,545 A \* 12/1996 LaVaute ..... A47B 97/00  
108/115
- D377,429 S 1/1997 Olson
- 5,875,597 A \* 3/1999 Gingrich ..... A47G 5/02  
52/239
- 6,132,018 A \* 10/2000 McGrath ..... A47F 3/007  
248/398

(Continued)

OTHER PUBLICATIONS

Sneeze-guard ES 31 by ADM, first available: Feb. 8, 2020. Amazon.com [online], [site visited Sep. 23, 2021], Internet URL: [https://www.amazon.com/ADM-Sneeze-guard-Sneeze-Customer-Access/dp/B084JPNJBW/ref=sr\\_1\\_59\\_sspa?th=1](https://www.amazon.com/ADM-Sneeze-guard-Sneeze-Customer-Access/dp/B084JPNJBW/ref=sr_1_59_sspa?th=1) (Year: 2020).\*

(Continued)

*Primary Examiner* — Steven J Czyz  
*Assistant Examiner* — Hillary Catherine Shepard  
(74) *Attorney, Agent, or Firm* — Dunlap Bennett & Ludwig, PLLC; Anna L. Kinney

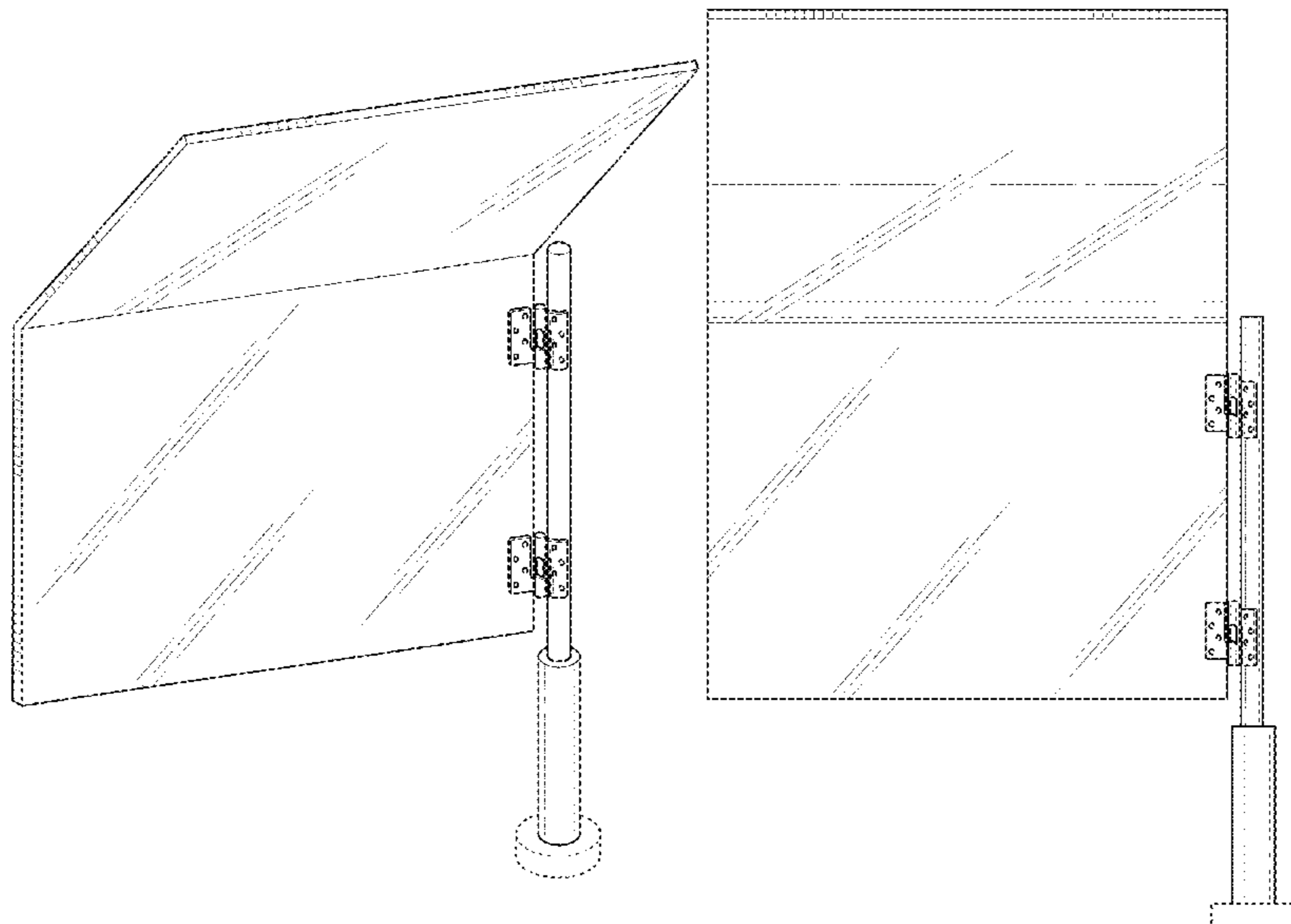
(57) **CLAIM**

The ornamental design for an adjustable health shield, as shown and described.

**DESCRIPTION**

FIG. 1 is a front perspective of an adjustable health shield according to my new design;  
FIG. 2 is a front elevation view thereof;  
FIG. 3 is a rear elevation view thereof;  
FIG. 4 is a left side elevation view thereof;  
FIG. 5 is a right side elevation view thereof;  
FIG. 6 is a top plan view thereof; and,  
FIG. 7 is a bottom plan view thereof.  
The broken lines depict portions of the article that form no part of the claimed design.

**1 Claim, 5 Drawing Sheets**



(56)

References Cited

U.S. PATENT DOCUMENTS

6,485,118 B2 \* 11/2002 Matus, Jr. .... A47F 9/00  
 312/137  
 D472,083 S \* 3/2003 English ..... D6/699.5  
 6,588,863 B1 \* 7/2003 Yatchak ..... A47B 3/0803  
 108/147.11  
 D537,258 S \* 2/2007 Hosoe ..... D6/332  
 D575,560 S \* 8/2008 English ..... D6/699.5  
 D599,122 S \* 9/2009 Feldpausch ..... D6/332  
 D610,373 S \* 2/2010 Matus, Jr. .... D6/699.5  
 D610,375 S \* 2/2010 Matus, Jr. .... D6/699.4  
 D610,376 S \* 2/2010 Matus, Jr. .... D6/699.5  
 D613,971 S \* 4/2010 Matus, Jr. .... D6/699.4  
 8,091,605 B1 \* 1/2012 Melhart ..... E04B 1/8236  
 160/135  
 9,144,329 B1 \* 9/2015 McGrath ..... A47F 3/12  
 D752,908 S \* 4/2016 McGrath ..... D6/699.5  
 9,723,935 B1 \* 8/2017 McAllister ..... A47F 10/06  
 9,782,022 B2 \* 10/2017 Atkins ..... F16M 11/10  
 D917,946 S \* 5/2021 Hill ..... D6/714  
 2003/0047086 A1 \* 3/2003 Matus, Jr. .... A47F 10/06  
 99/485

2007/0090733 A1 \* 4/2007 Matus, Jr. .... A47F 10/06  
 312/140.4  
 2007/0236112 A1 \* 10/2007 Williman ..... A47F 10/06  
 312/140.4  
 2011/0169384 A1 \* 7/2011 Padden ..... A47F 10/06  
 312/140.4  
 2016/0331155 A1 \* 11/2016 Atkins ..... F16M 11/10

OTHER PUBLICATIONS

Sneeze-guard Orbit 720 by ADM, first available: May 1, 2021. Amazon.com [online], [site visited Sep. 23, 2021], Internet URL: [https://www.amazon.com/dp/B093X4YT12/ref=sspa\\_dk\\_detail\\_1?th=1](https://www.amazon.com/dp/B093X4YT12/ref=sspa_dk_detail_1?th=1) (Year: 2021).\*

Cashier Shield by Global Industrial, first available: unknown. Globalindustrial.com [online], [site visited Sep. 23, 2021], Internet URL: <https://www.globalindustrial.com/p/global-cashier-shield-24-l-x-24-h-add-on-with-center-racetrack-base-silver> (Year: 2021).\*

Sneeze-guard EP 36 by ADM, first available Oct. 2, 2019. Amazon.com [online], [site visited Sep. 23, 2021], Internet URL: [https://www.amazon.com/ADM-Sneeze-guard-Stainless-Service-Tempered/dp/B07YN3VNGX/ref=sr\\_1\\_11?](https://www.amazon.com/ADM-Sneeze-guard-Stainless-Service-Tempered/dp/B07YN3VNGX/ref=sr_1_11?) (Year: 2019).\*

\* cited by examiner

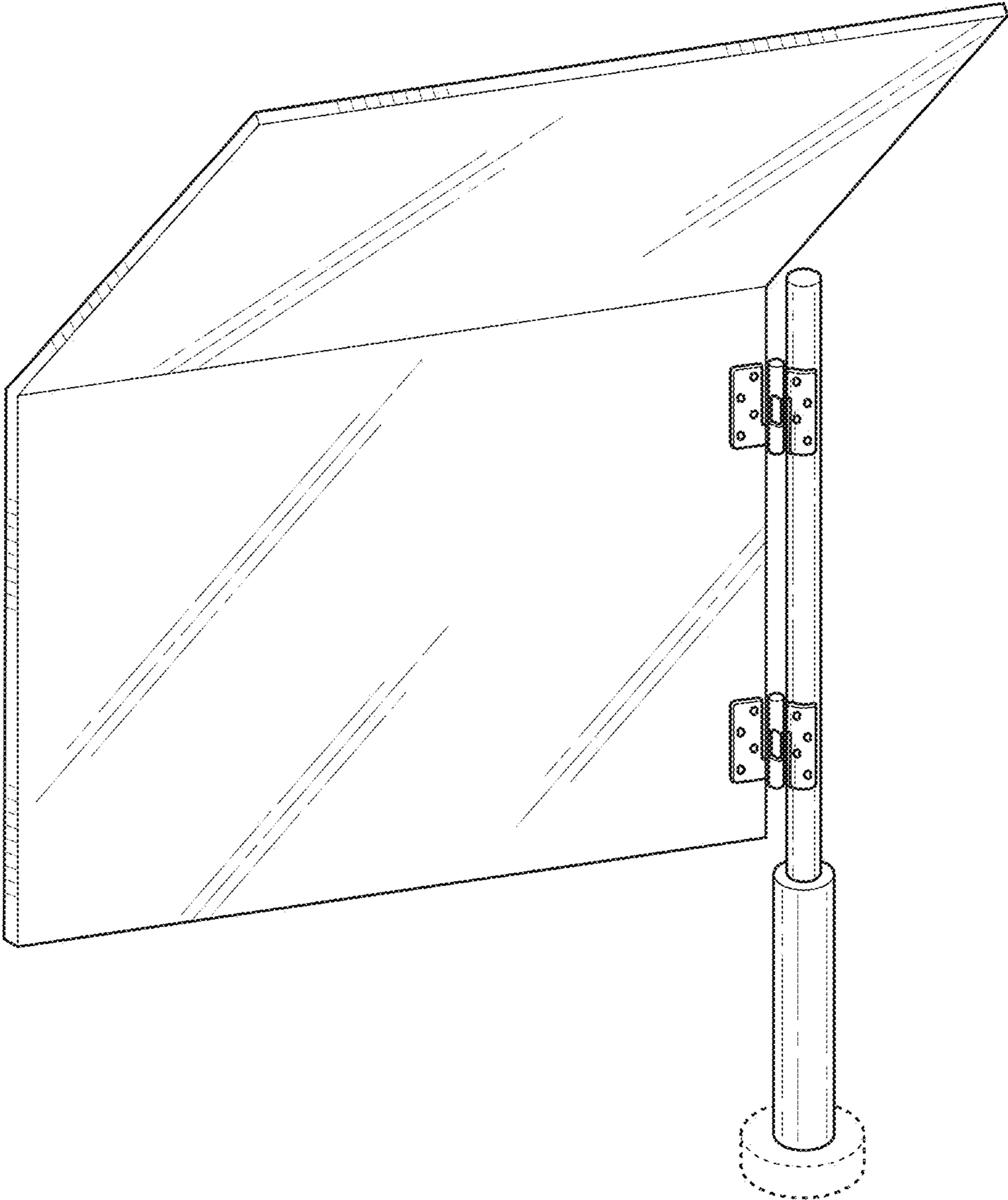


FIG. 1

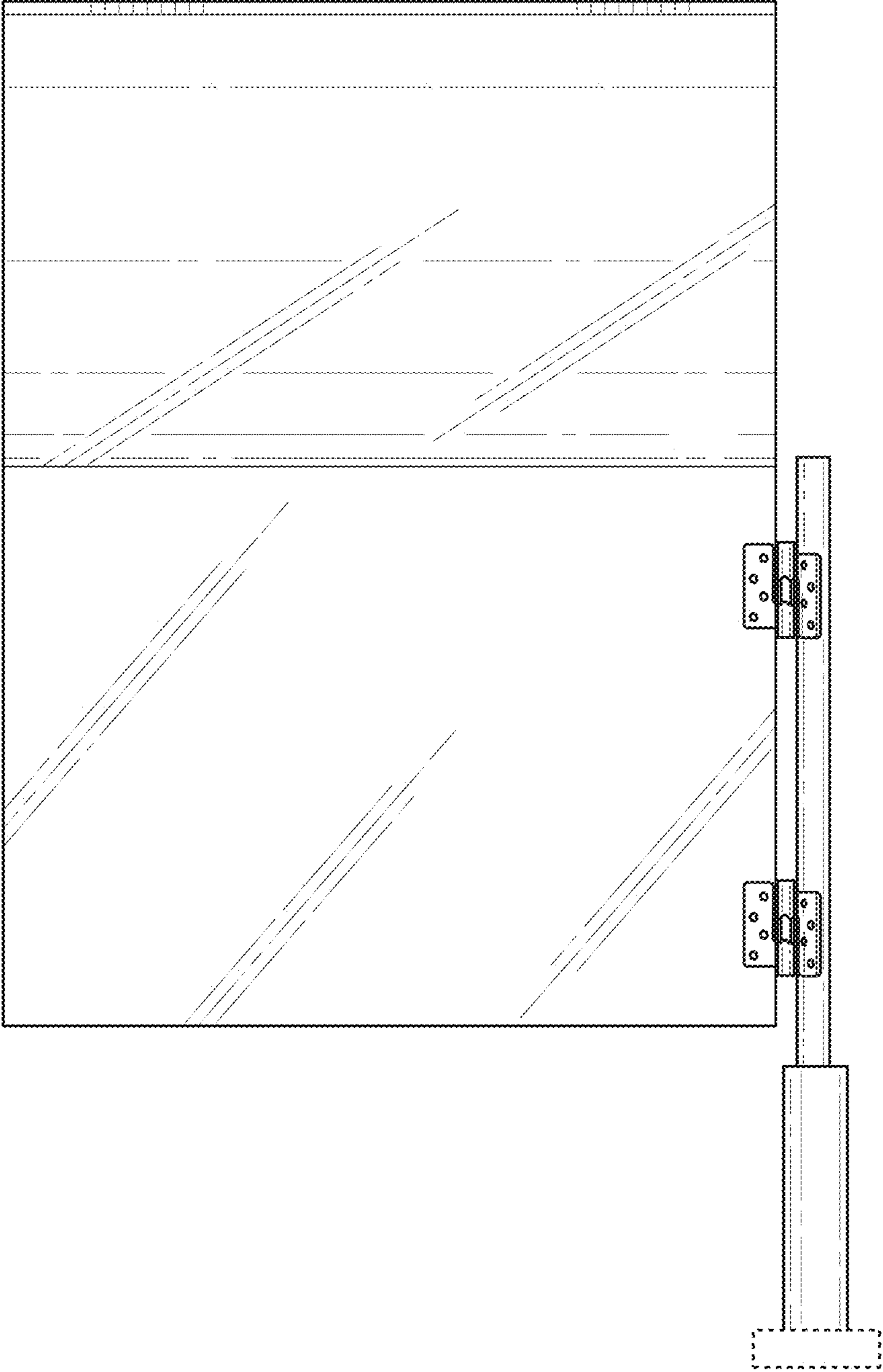


FIG. 2

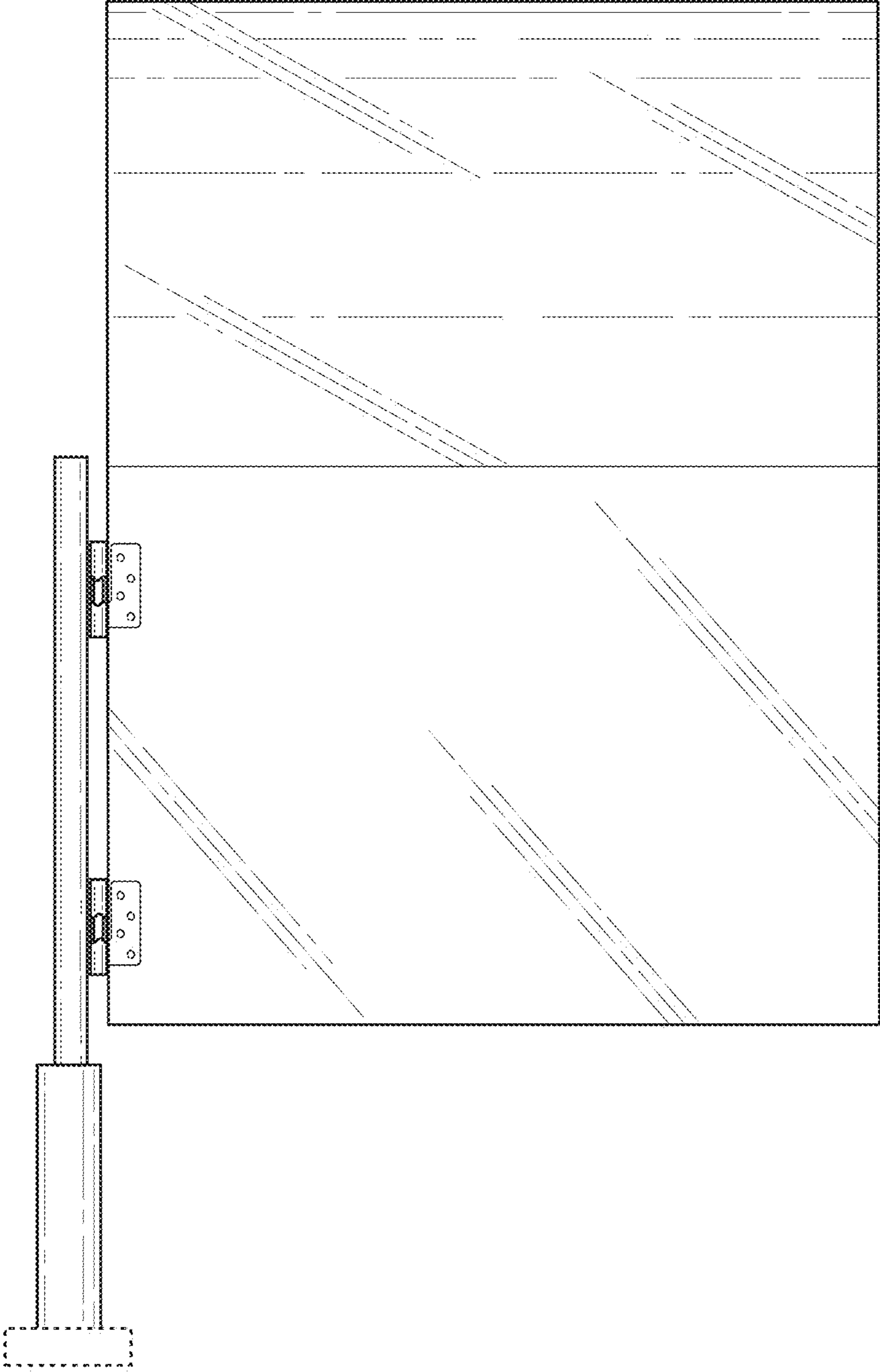


FIG. 3

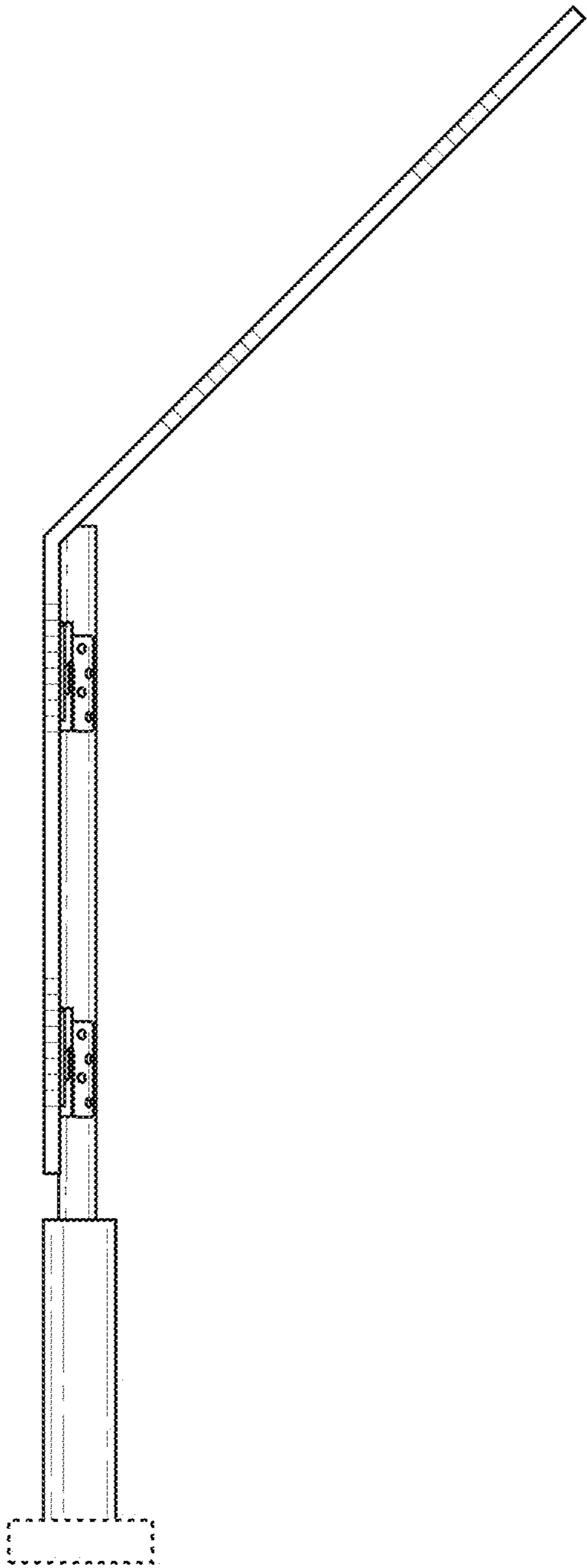


FIG. 4

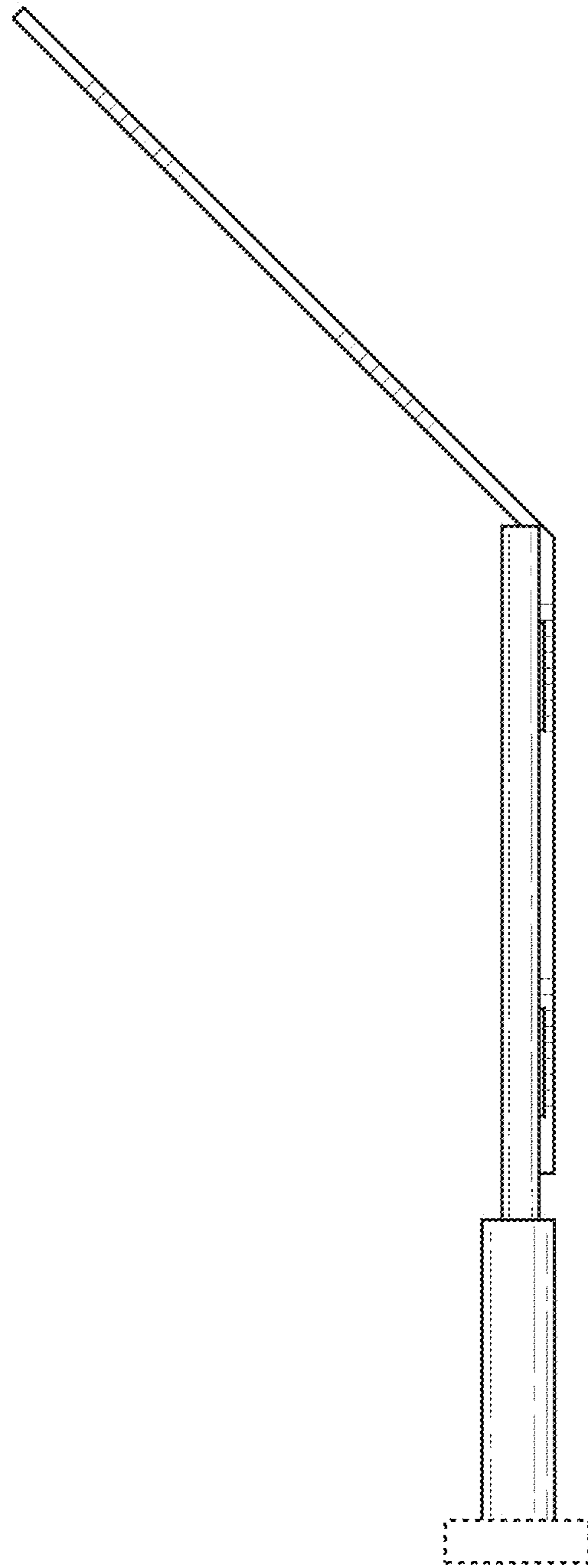


FIG. 5

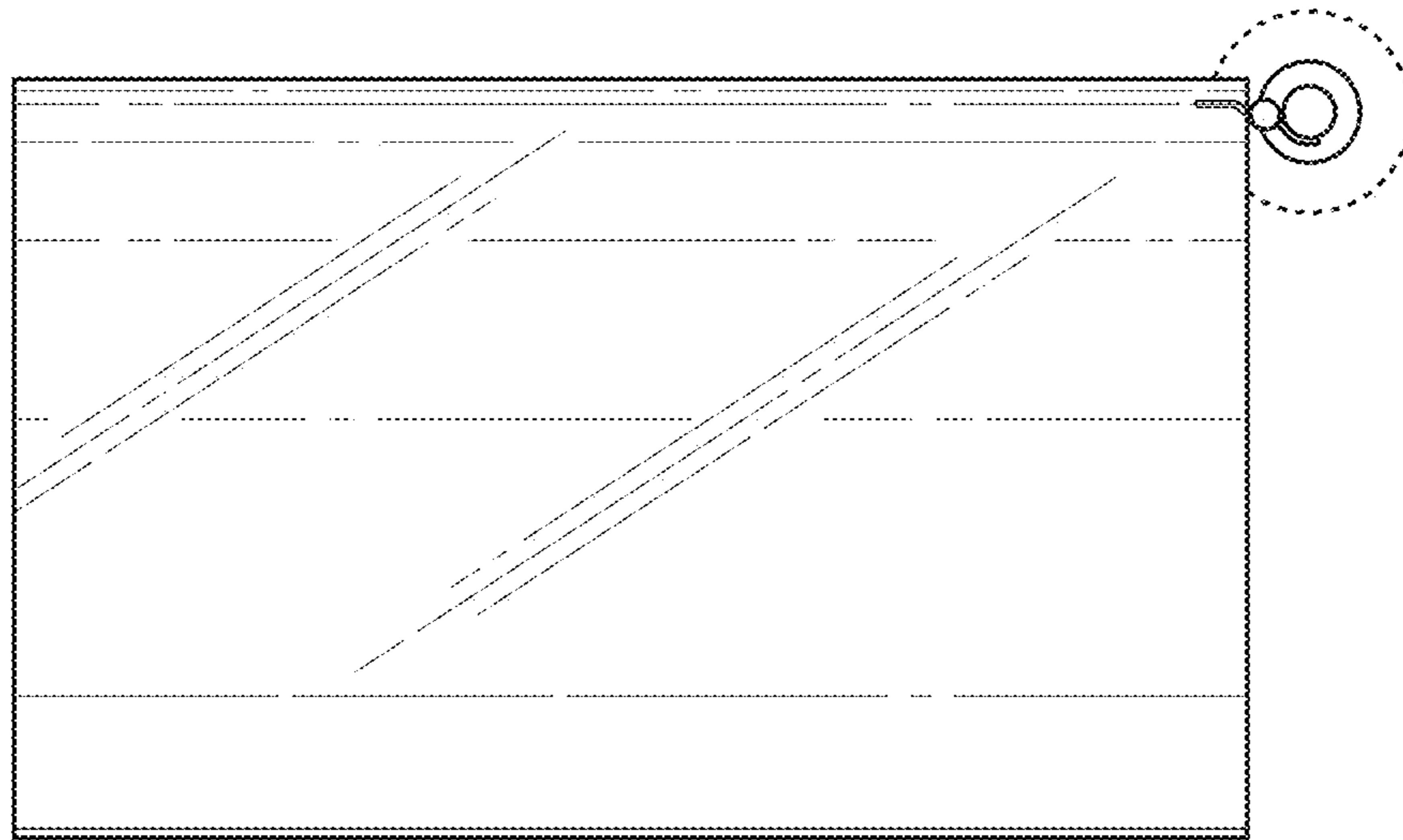


FIG. 6

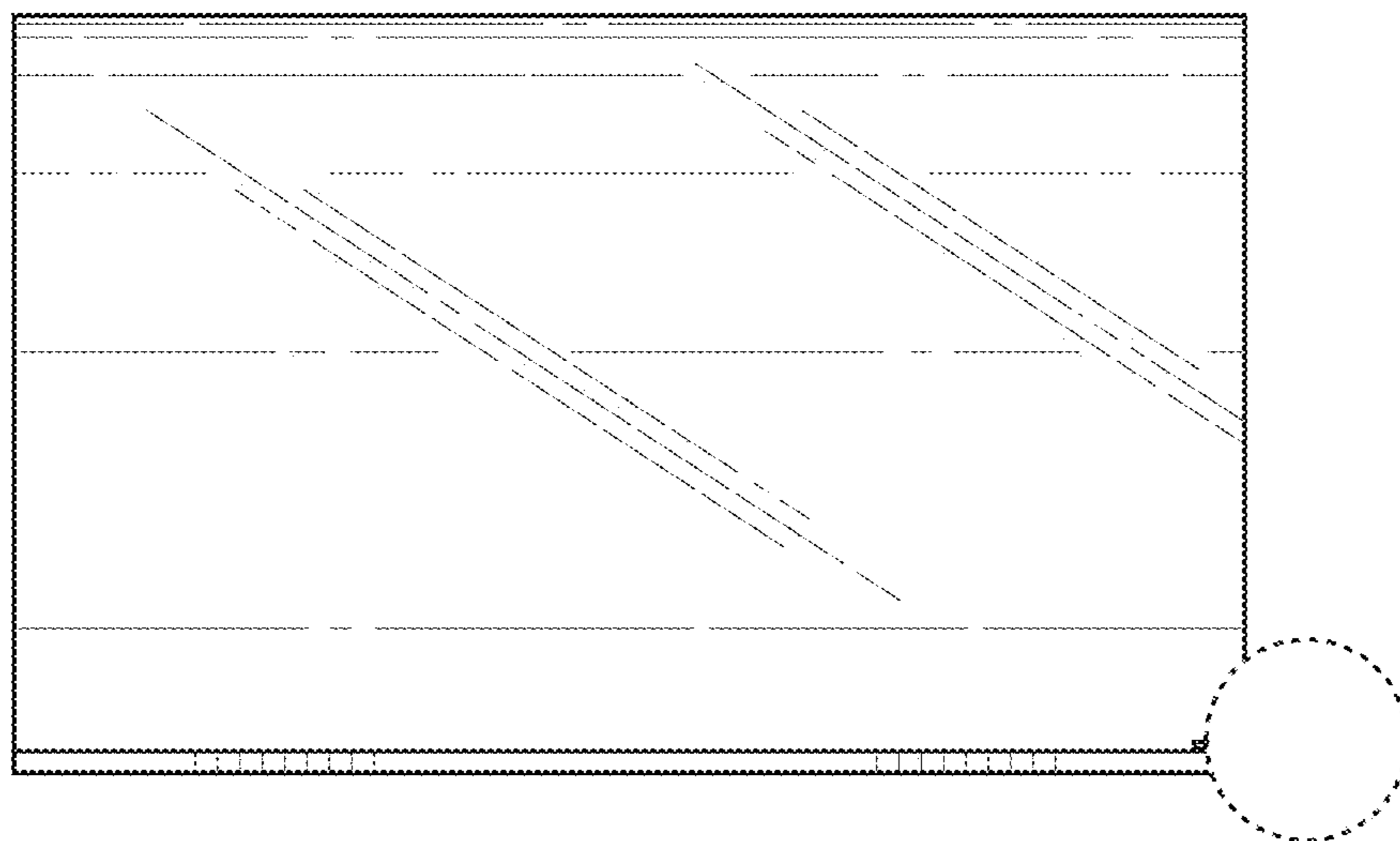


FIG. 7