



US00D941061S

(12) **United States Design Patent**
Templeton

(10) **Patent No.:** **US D941,061 S**
(45) **Date of Patent:** **** Jan. 18, 2022**

(54) **SEAT COVER**

(71) Applicant: **Gordon Templeton**, Winnipeg (CA)

(72) Inventor: **Gordon Templeton**, Winnipeg (CA)

(**) Term: **15 Years**

(21) Appl. No.: **29/671,352**

(22) Filed: **Nov. 27, 2018**

(51) **LOC (13) Cl.** **06-13**

(52) **U.S. Cl.**
USPC **D6/611**

(58) **Field of Classification Search**
USPC D3/232, 276; D6/356, 596, 601, 608,
D6/610, 611, 613, 616; D12/401, 416
CPC A47C 27/00; A47C 27/001; A47C 27/002;
A47C 31/10; A47C 31/11; A47C 31/113;
A47C 31/116; A47C 4/28; A47C 7/021;
A47C 7/0213; A47C 7/024; A47C 7/22;
A47C 7/386; A47C 7/42; A47C 7/68;
A47C 4/52; B60N 2/58; B60N 2/60;
B60N 2/6009; B60N 2/6018; A45C
2009/002; A45F 2004/026
See application file for complete search history.

(56) **References Cited**

U.S. PATENT DOCUMENTS

2,729,278 A * 1/1956 Waranch A47C 31/11
297/224
4,190,918 A * 3/1980 Harvell A47C 4/52
190/1
5,005,901 A * 4/1991 Hinde B60N 2/6036
297/220
5,580,125 A * 12/1996 Alger A47C 4/52
297/250.1

(Continued)

FOREIGN PATENT DOCUMENTS

EM 005228897-0001 * 4/2018

OTHER PUBLICATIONS

FurHaven Pet Water-Resistant Car Seat Cover [online], [site visited May 19, 2020]. Available from internet, URL: <https://www.overstock.com/Pet-Supplies/FurHaven-Pet-Water-Resistant-Car-Seat-Cover/14399264/product.html> (Year: 2020).*

(Continued)

Primary Examiner — Cynthia Ramirez

Assistant Examiner — Xavier Marti-Santos

(74) *Attorney, Agent, or Firm* — Ryan W. Dupuis; Kyle R. Satterthwaite; Ade & Company Inc.

(57) **CLAIM**

The ornamental design for a seat cover, as shown and described.

DESCRIPTION

FIG. 1 is a perspective view of the seat cover in a deployed position, showing a top, a front, and a right side of the seat cover.

FIG. 2 is a perspective view of the seat cover in the deployed position, showing a bottom, a rear, and a right side of the seat cover.

FIG. 3 is a front elevational view of the seat cover in the deployed position.

FIG. 4 is a right side elevational view of the seat cover in the deployed position in which the left side view is a mirror image of the right side elevational view shown.

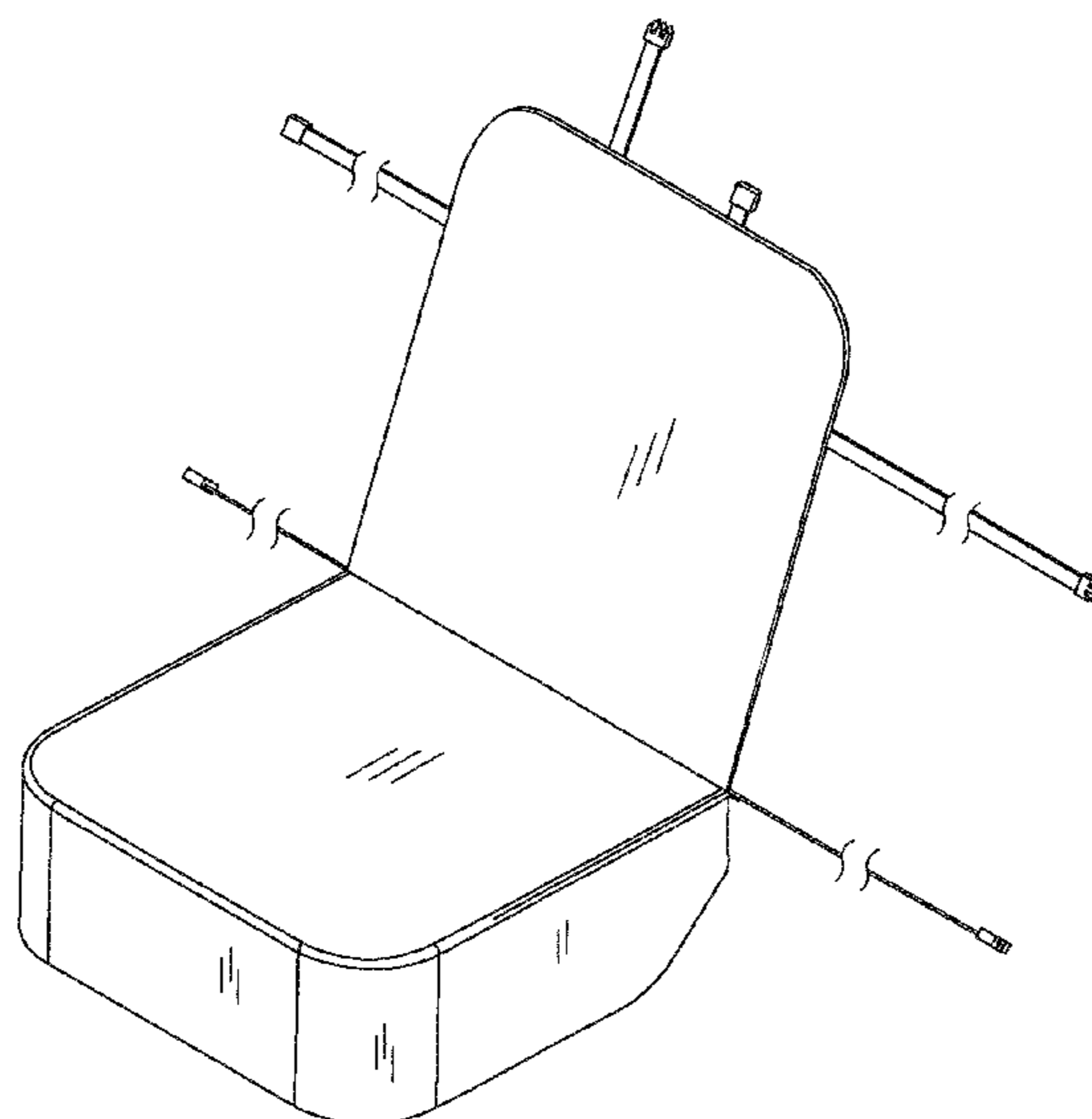
FIG. 5 is a rear elevational view of the seat cover in the deployed position.

FIG. 6 is a top plan view of the seat cover in the deployed position; and,

FIG. 7 is a bottom plan view of the seat cover in the deployed position.

Some of the straps of the seat cover are shown with a symbolic break in their length. The appearance of any portion of the straps between the break lines forms no part of the claimed design.

1 Claim, 6 Drawing Sheets



(56)

References Cited

U.S. PATENT DOCUMENTS

5,584,422 A * 12/1996 Bond-Madsen A47C 7/425
224/155
5,938,336 A * 8/1999 King A47C 31/11
224/42.11
D506,101 S * 6/2005 Rains D6/611
9,445,672 B2 * 9/2016 Demosthene F16B 1/00
D785,372 S * 5/2017 Bosket, Sr. D6/611
D796,870 S * 9/2017 Hoffman D6/611
10,624,456 B2 * 4/2020 Fernandez A47C 7/744
D929,158 S * 8/2021 Templeton D6/611
D929,775 S * 9/2021 Templeton D6/611
2009/0028466 A1 * 1/2009 Bailey A45F 4/12
383/4
2014/0101848 A1 * 4/2014 Murphy A47G 9/08
5/420

OTHER PUBLICATIONS

OG Seatshield—Single Seat [online], [site visited Sep. 9, 2021].
Available from internet, URL: <[https://optimusgear.com/collections/
frontpage/products/individual-seat-guard](https://optimusgear.com/collections/frontpage/products/individual-seat-guard)> (Year: 2021).*

* cited by examiner

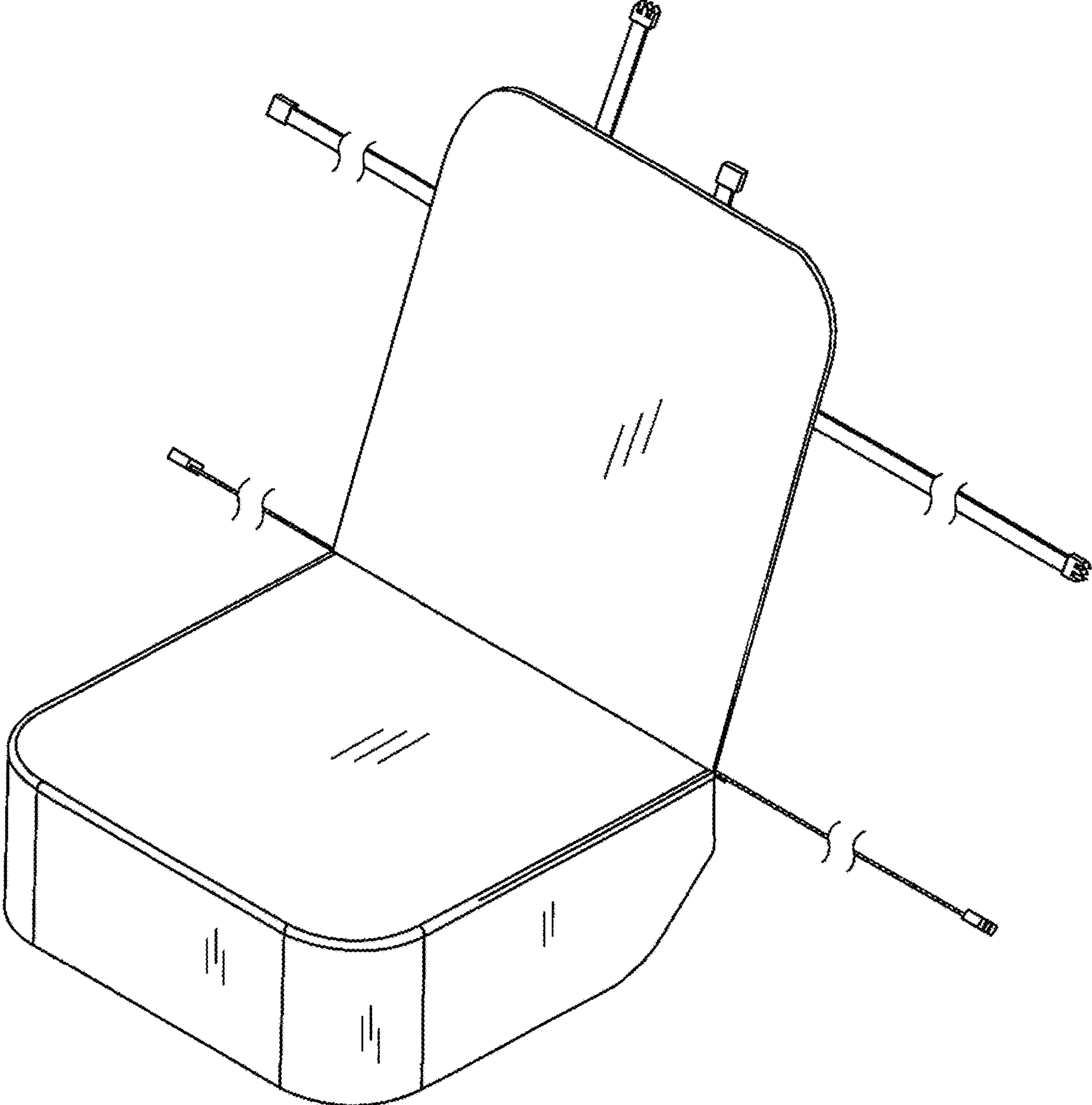


FIG. 1

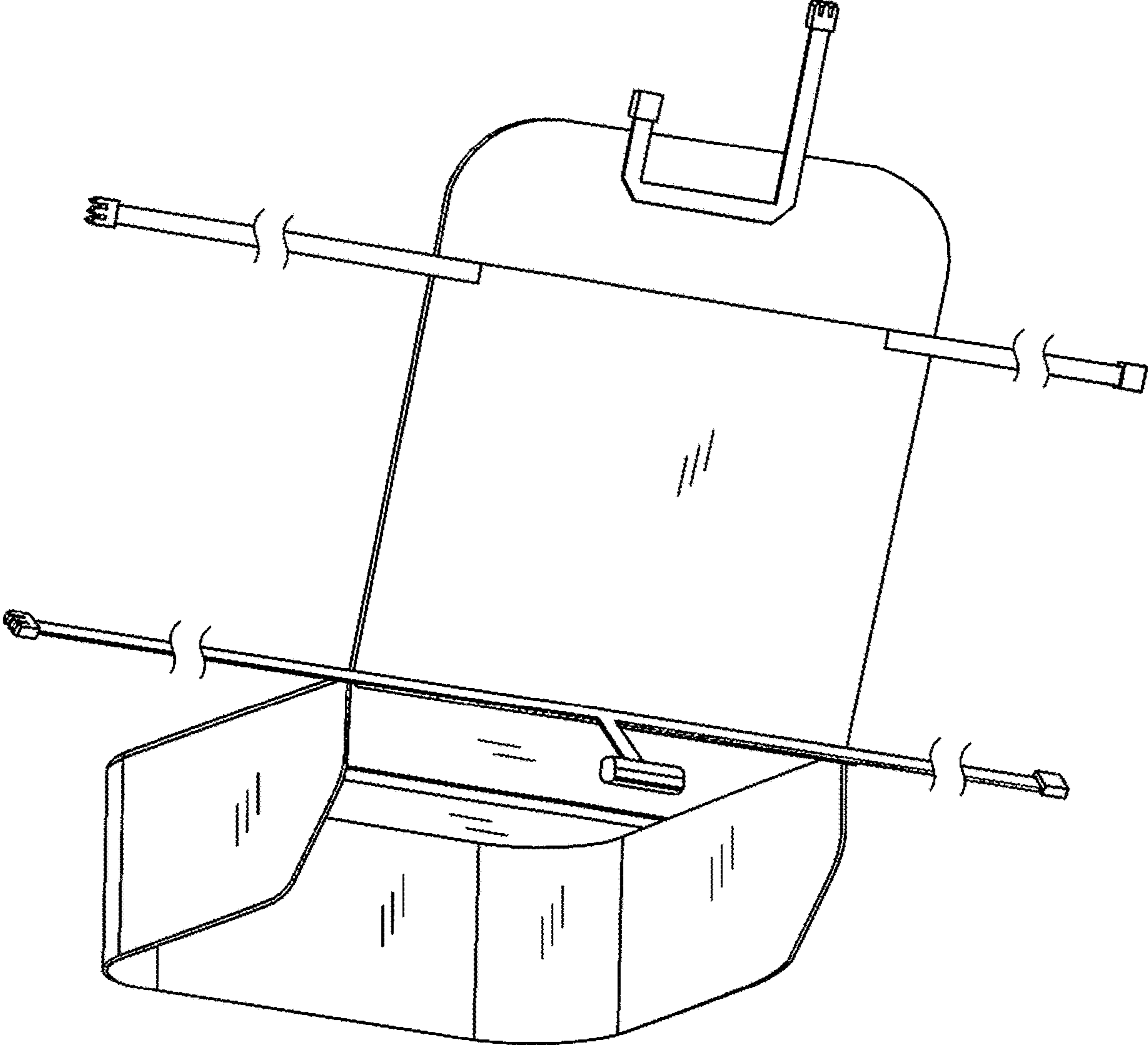


FIG. 2

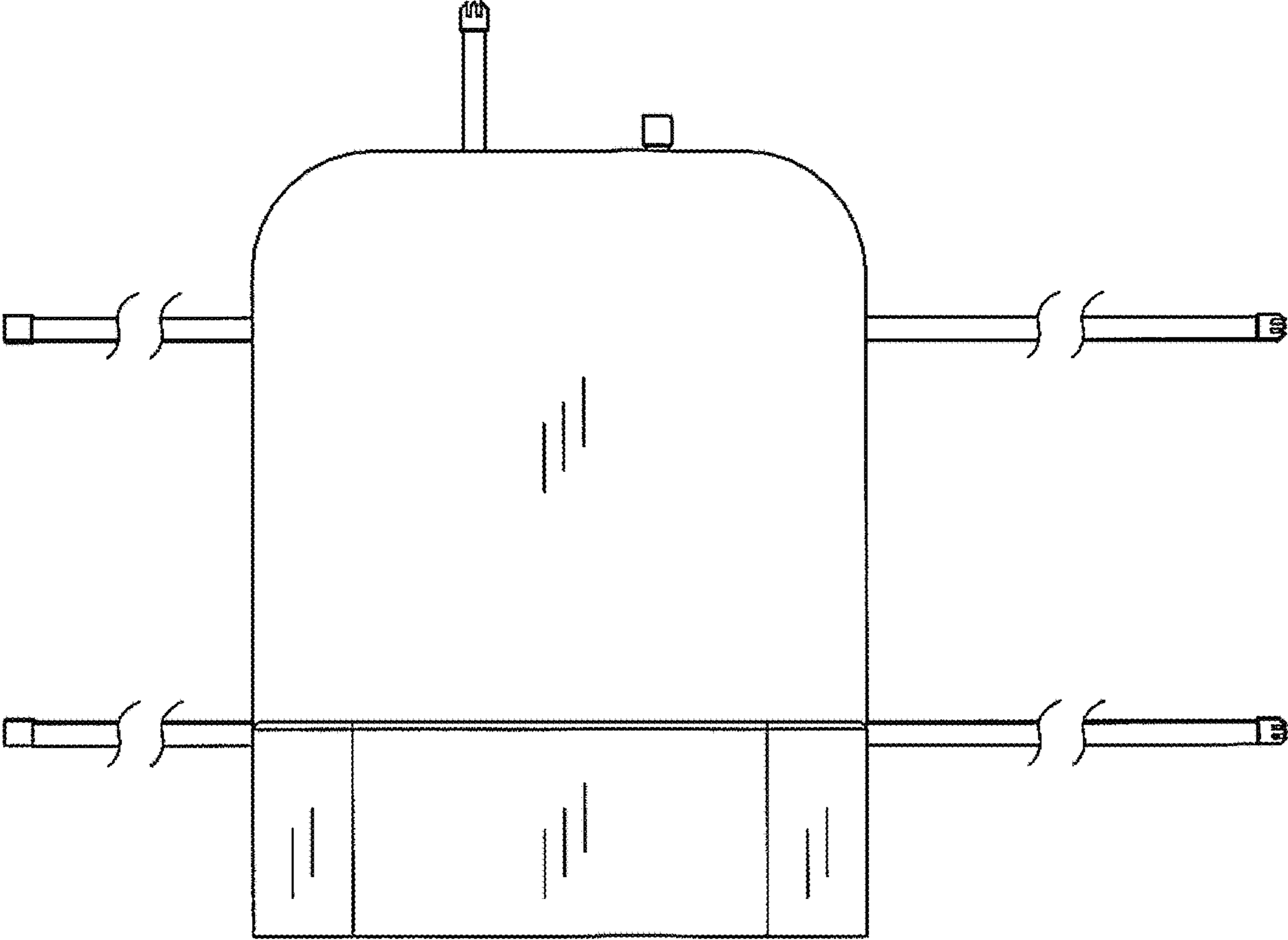


FIG. 3

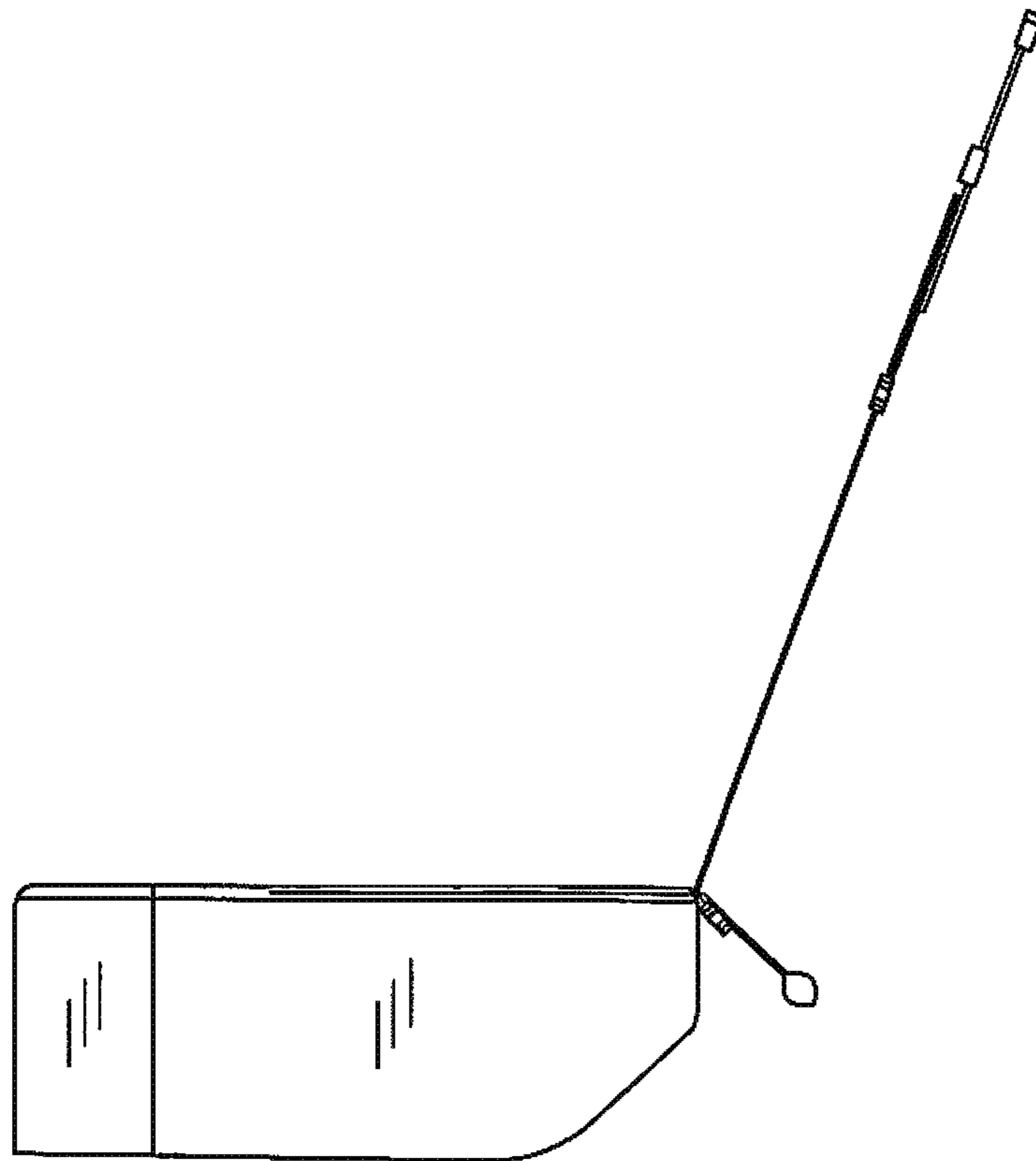


FIG. 4

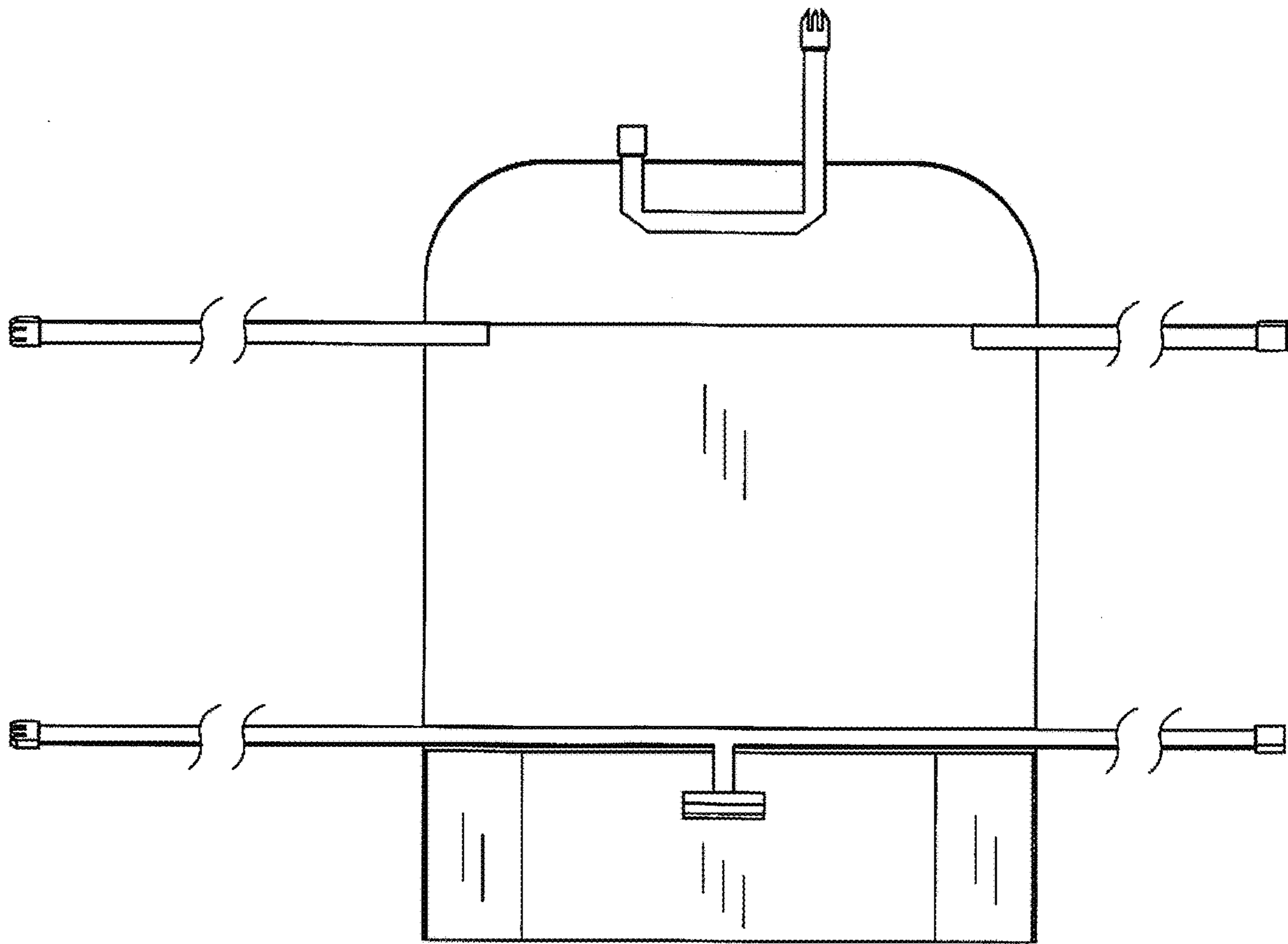


FIG. 5

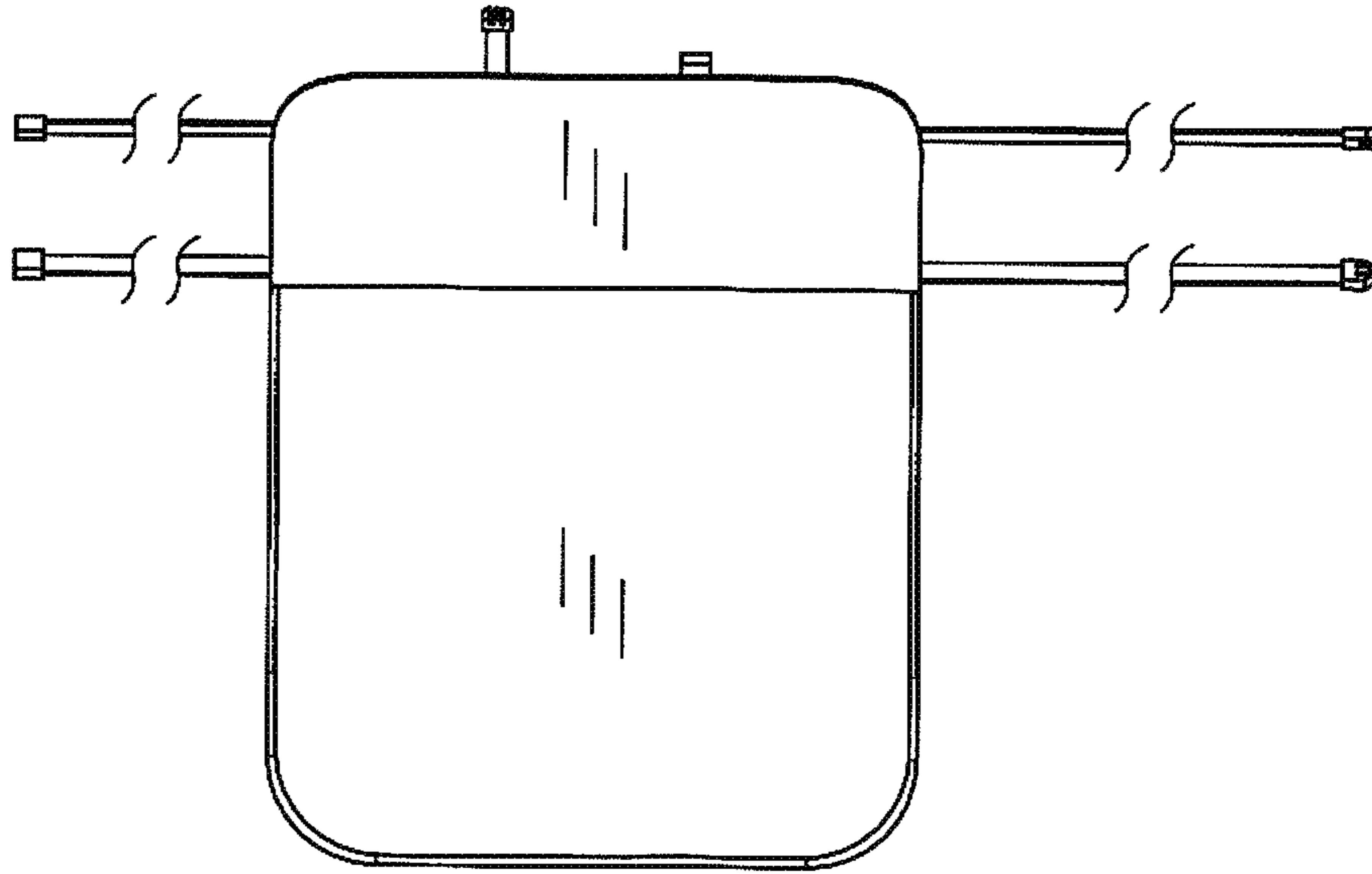


FIG. 6

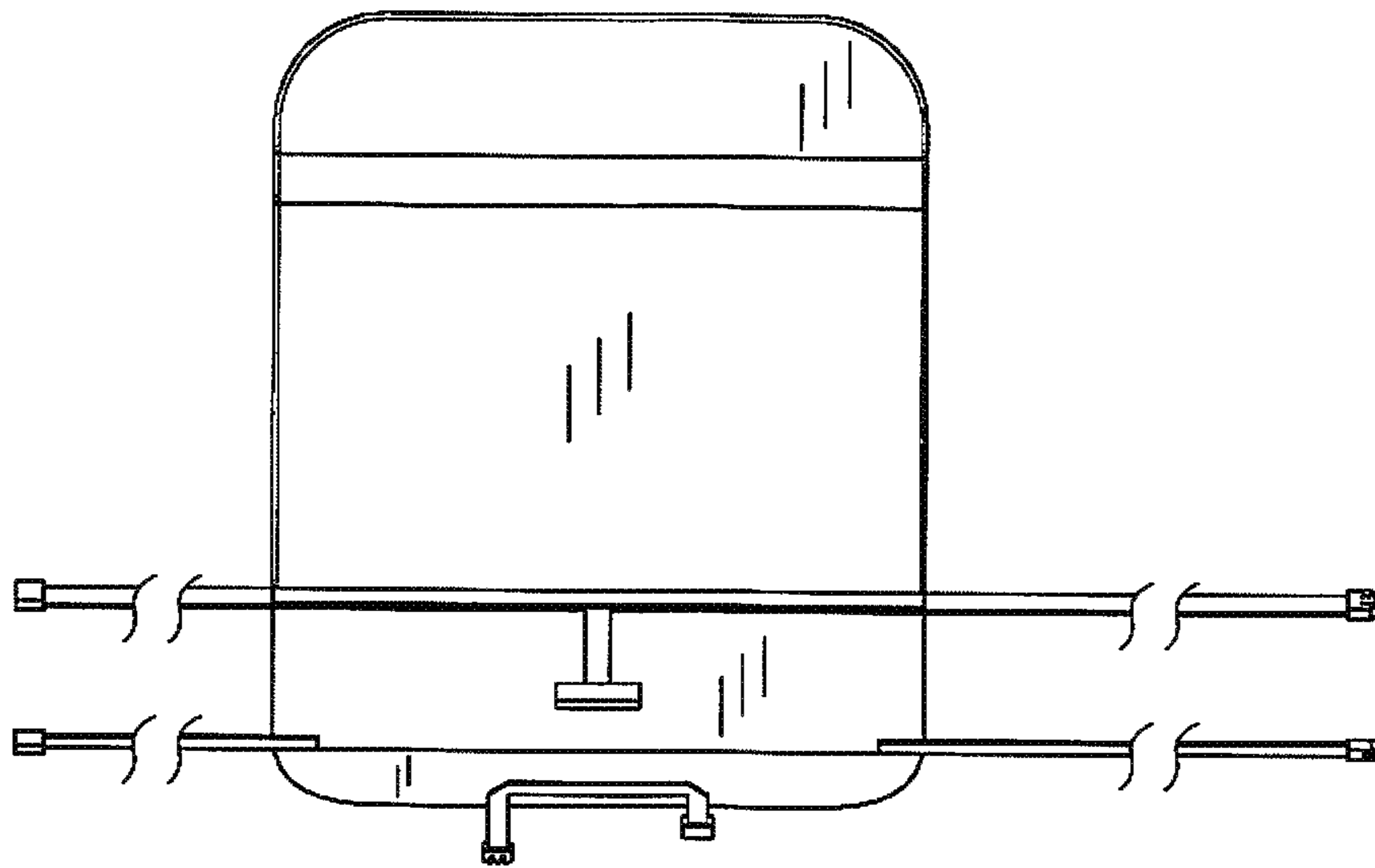


FIG. 7