



US00D941060S

(12) **United States Design Patent** (10) **Patent No.:** **US D941,060 S**  
**Kong** (45) **Date of Patent:** **\*\* Jan. 18, 2022**

(54) **LEG PILLOW**  
(71) Applicant: **Airnine Co., Ltd.**, Seoul (KR)  
(72) Inventor: **Ki Hwa Kong**, Seoul (KR)  
(\*\*) Term: **15 Years**  
(21) Appl. No.: **35/510,664**  
(22) Filed: **Apr. 28, 2020**

(80) **Hague Agreement Data**

Int. Filing Date: **Apr. 28, 2020**  
Int. Reg. No.: **DM/208730**  
Int. Reg. Date: **Apr. 28, 2020**  
Int. Reg. Pub. Date: **Oct. 30, 2020**

(30) **Foreign Application Priority Data**

Mar. 4, 2020 (KR) ..... 30-2020-0009829

(51) **LOC (13) Cl.** ..... **06-09**

(52) **U.S. Cl.**  
USPC ..... **D6/601**

(58) **Field of Classification Search**  
USPC ..... D6/595-601, 604, 606; D21/803, 809;  
D24/183, 190  
CPC .... A47C 20/00; A47C 20/021; A47D 15/001;  
A47D 15/008; A47G 9/00; A47G 9/10  
See application file for complete search history.

(56) **References Cited**

**U.S. PATENT DOCUMENTS**

D211,721 S \* 7/1968 Radford ..... D6/601  
4,777,678 A \* 10/1988 Moore ..... A47C 17/045  
5/632  
5,035,015 A \* 7/1991 Maietta ..... A47D 13/08  
5/630  
5,697,112 A \* 12/1997 Colavito ..... A47C 20/027  
5/490  
D446,676 S \* 8/2001 Mayes ..... D6/601  
6,292,964 B1 \* 9/2001 Rose ..... A47G 9/10  
5/630

D521,301 S \* 5/2006 Dickson ..... D6/601  
9,370,261 B1 \* 6/2016 Strandberg ..... A47D 15/008  
D805,325 S \* 12/2017 Chan ..... D6/601  
D864,612 S \* 10/2019 Castellano ..... D6/601  
D872,504 S \* 1/2020 Toft ..... D6/601  
D876,860 S \* 3/2020 Swanson ..... D6/601  
D880,901 S \* 4/2020 Raad ..... D6/601  
D882,296 S \* 4/2020 Huang ..... D6/601  
D907,941 S \* 1/2021 Chanfrau, IV ..... D6/601  
D908,392 S \* 1/2021 Despen ..... D6/601  
D911,748 S \* 3/2021 Luo ..... D6/601  
D921,399 S \* 6/2021 Michover ..... D6/601  
2004/0226096 A1 \* 11/2004 Davis ..... A47C 20/027  
5/632

(Continued)

**OTHER PUBLICATIONS**

Bluestone, posted at amazon.com, posted on Dec. 29, 2016, site visited Sep. 23, 2021. online, available from internet: [https://www.amazon.com/Bluestone-Adjustable-Wedge-Support-Cushion/dp/B01KA7W42Y/ref=cm\\_cr\\_ar\\_p\\_d\\_product\\_top?ie=UTF8&th=1](https://www.amazon.com/Bluestone-Adjustable-Wedge-Support-Cushion/dp/B01KA7W42Y/ref=cm_cr_ar_p_d_product_top?ie=UTF8&th=1) (Year: 2016).\*

*Primary Examiner* — Mary Ann Calabrese  
*Assistant Examiner* — Catherine Ho

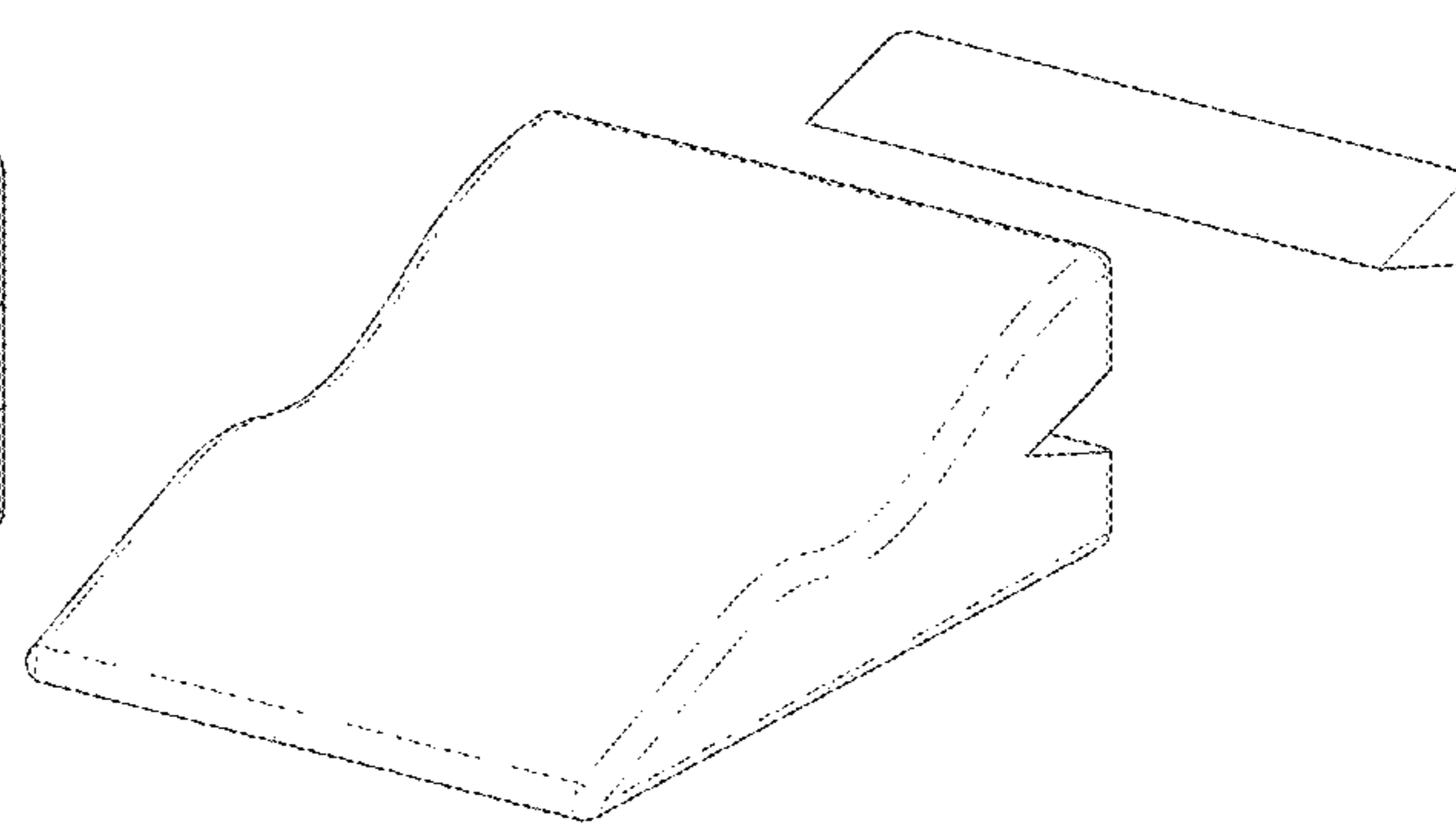
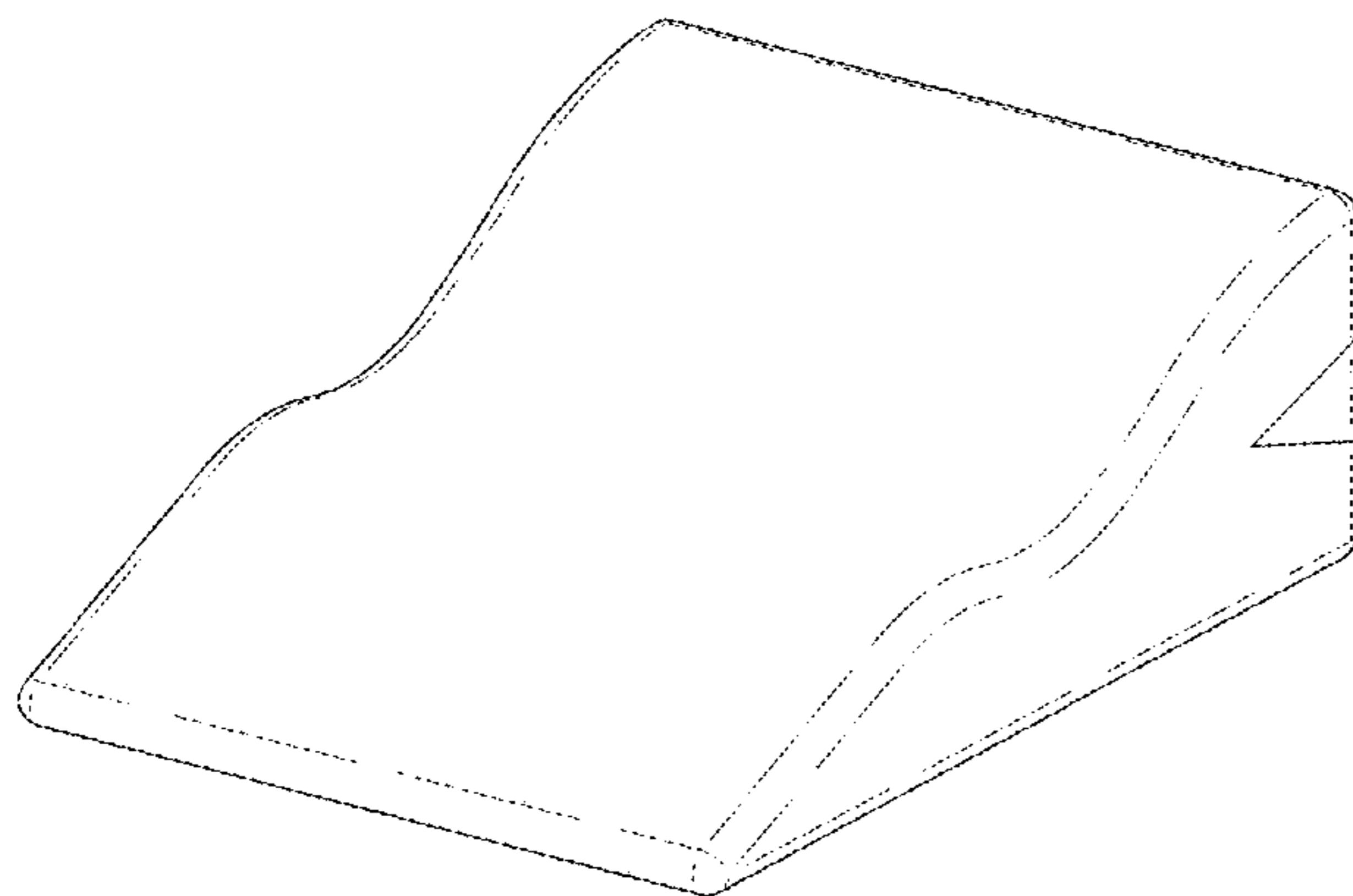
(57) **CLAIM**

The ornamental design for a leg pillow, as shown and described.

**DESCRIPTION**

- 1. Leg pillow
- 1.1 : Perspective
- 1.2 : Front
- 1.3 : Back
- 1.4 : Left
- 1.5 : Right
- 1.6 : Top
- 1.7 : Bottom
- 1.8 : Exploded
- 1.9 : Use state view

**1 Claim, 9 Drawing Sheets**



(56)

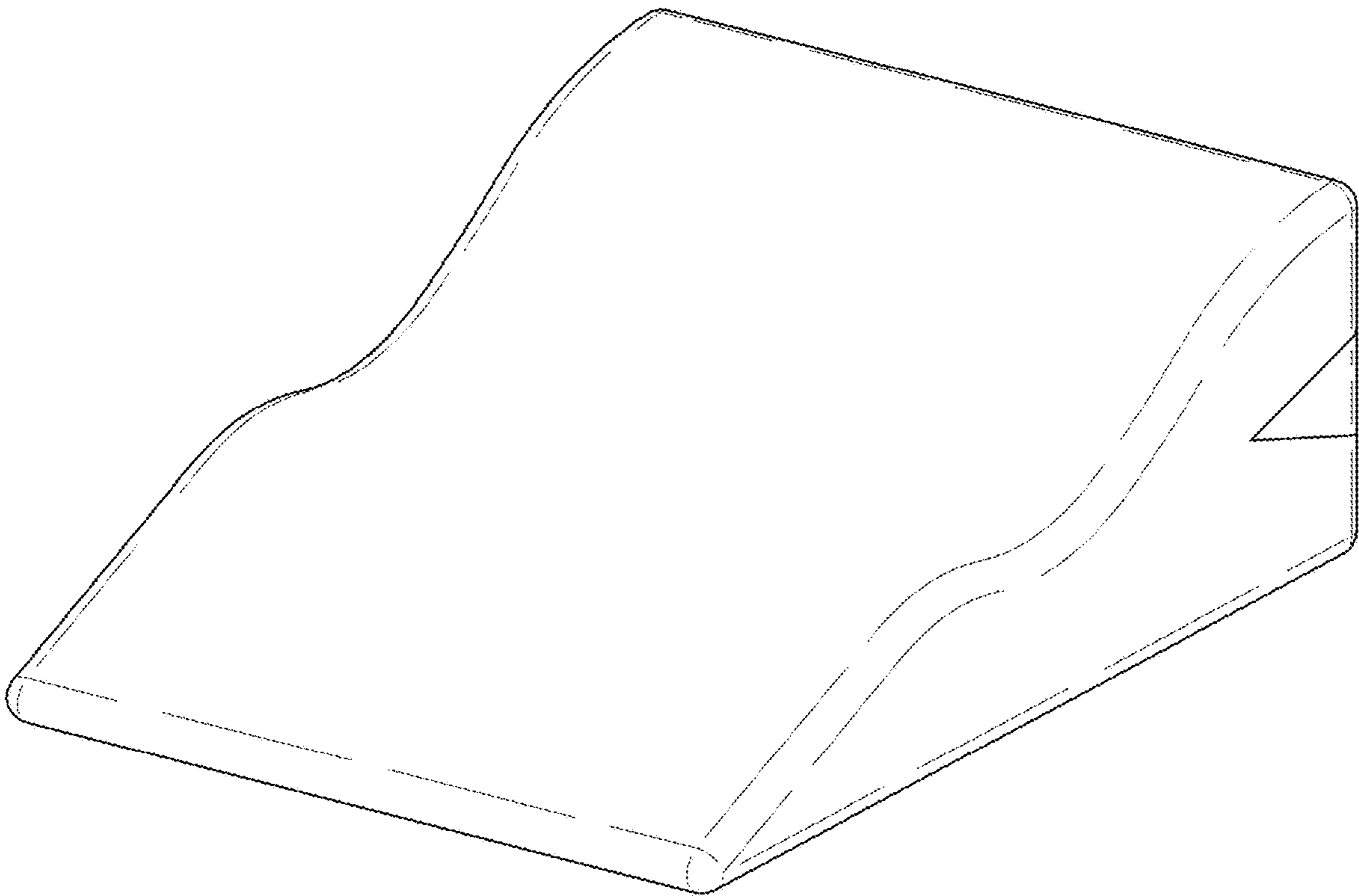
**References Cited**

U.S. PATENT DOCUMENTS

2010/0235992 A1\* 9/2010 Bensoussan ..... A61G 7/047  
5/424  
2014/0096777 A1\* 4/2014 Derner ..... A61F 5/56  
128/845  
2018/0008064 A1\* 1/2018 DuDonis ..... A47G 9/10  
2018/0214733 A1\* 8/2018 DeNunzio ..... A63B 21/4039  
2019/0365553 A1\* 12/2019 Drivere ..... A61F 5/01  
2021/0015278 A1\* 1/2021 Chan ..... A47G 9/1081  
2021/0282567 A1\* 9/2021 Day ..... A47C 20/027

\* cited by examiner

1.1



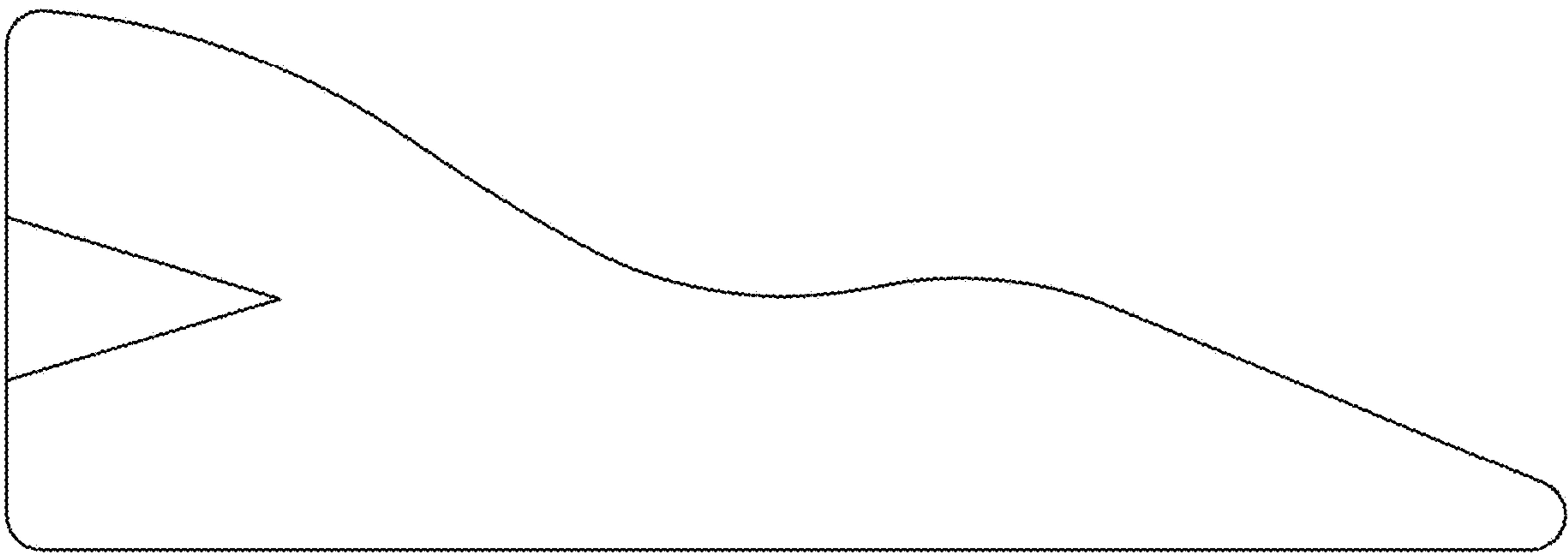
1.2



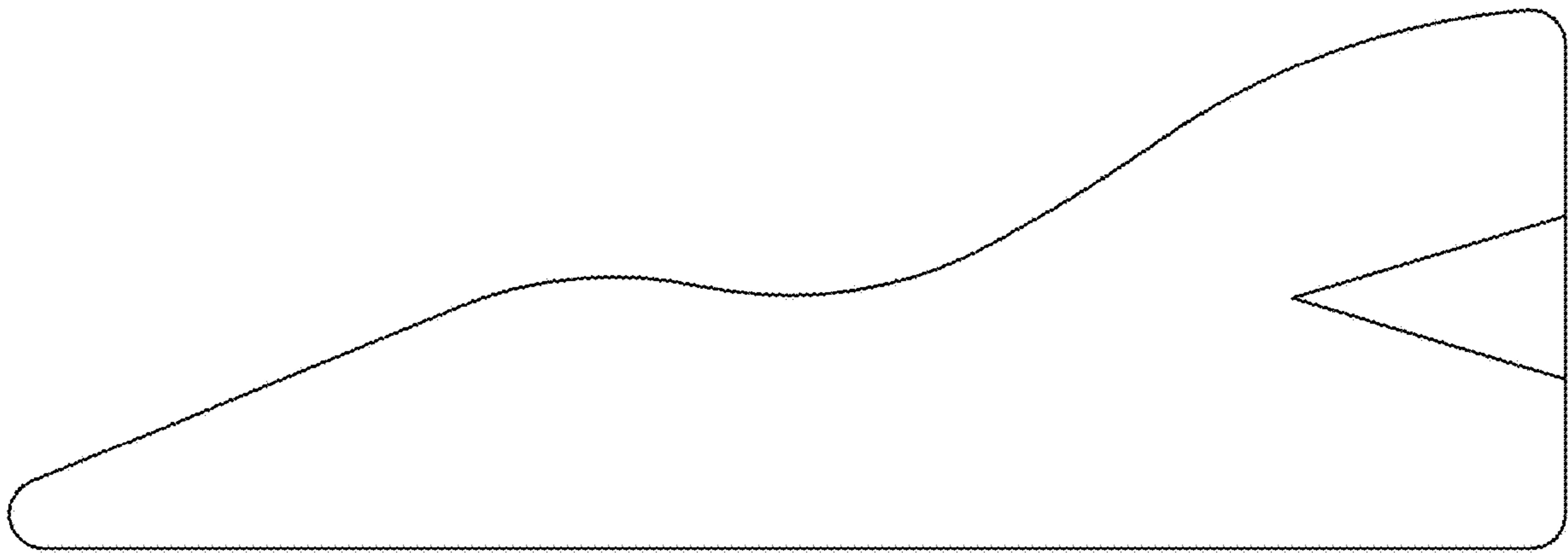
1.3



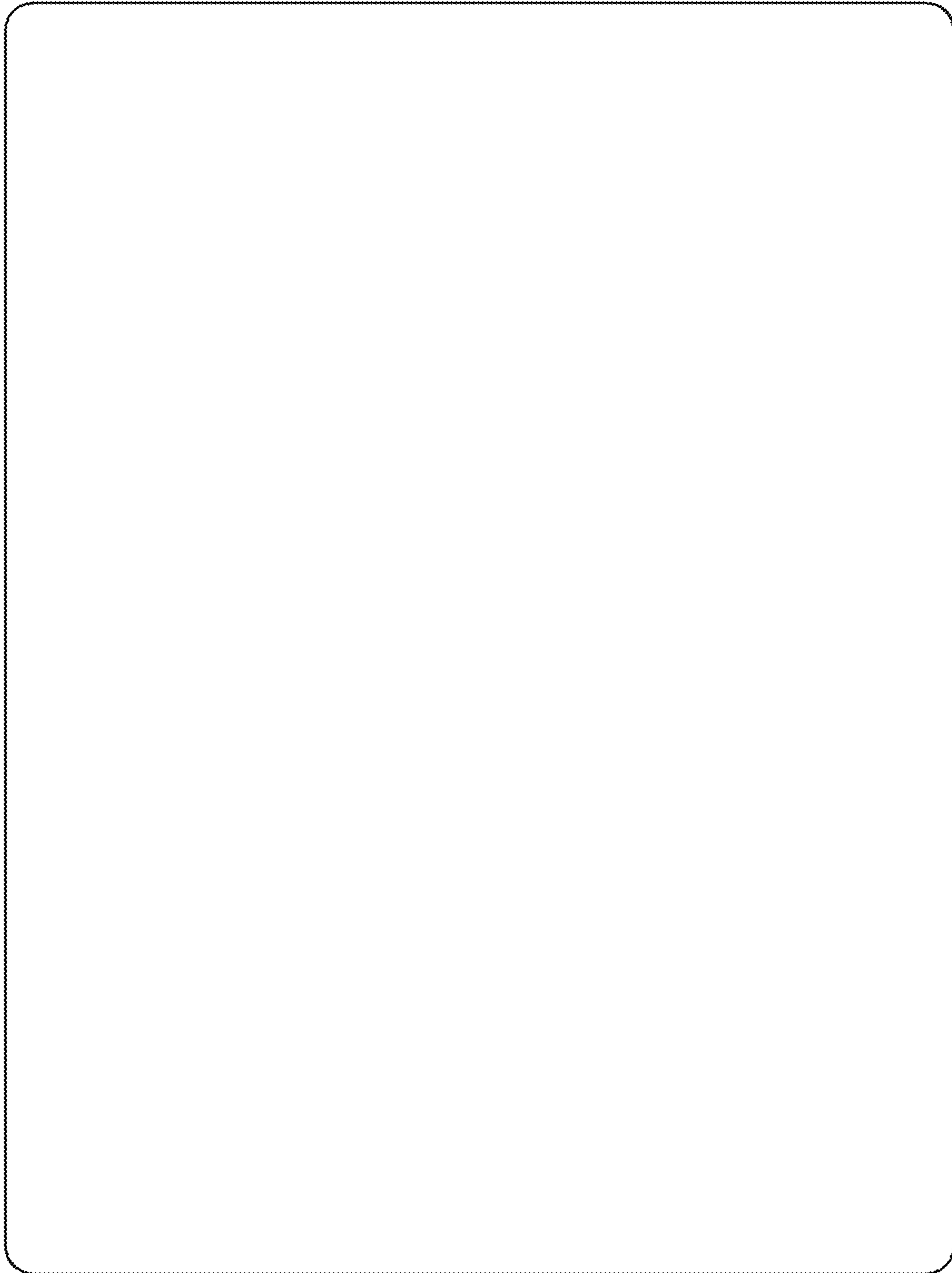
1.4



1.5

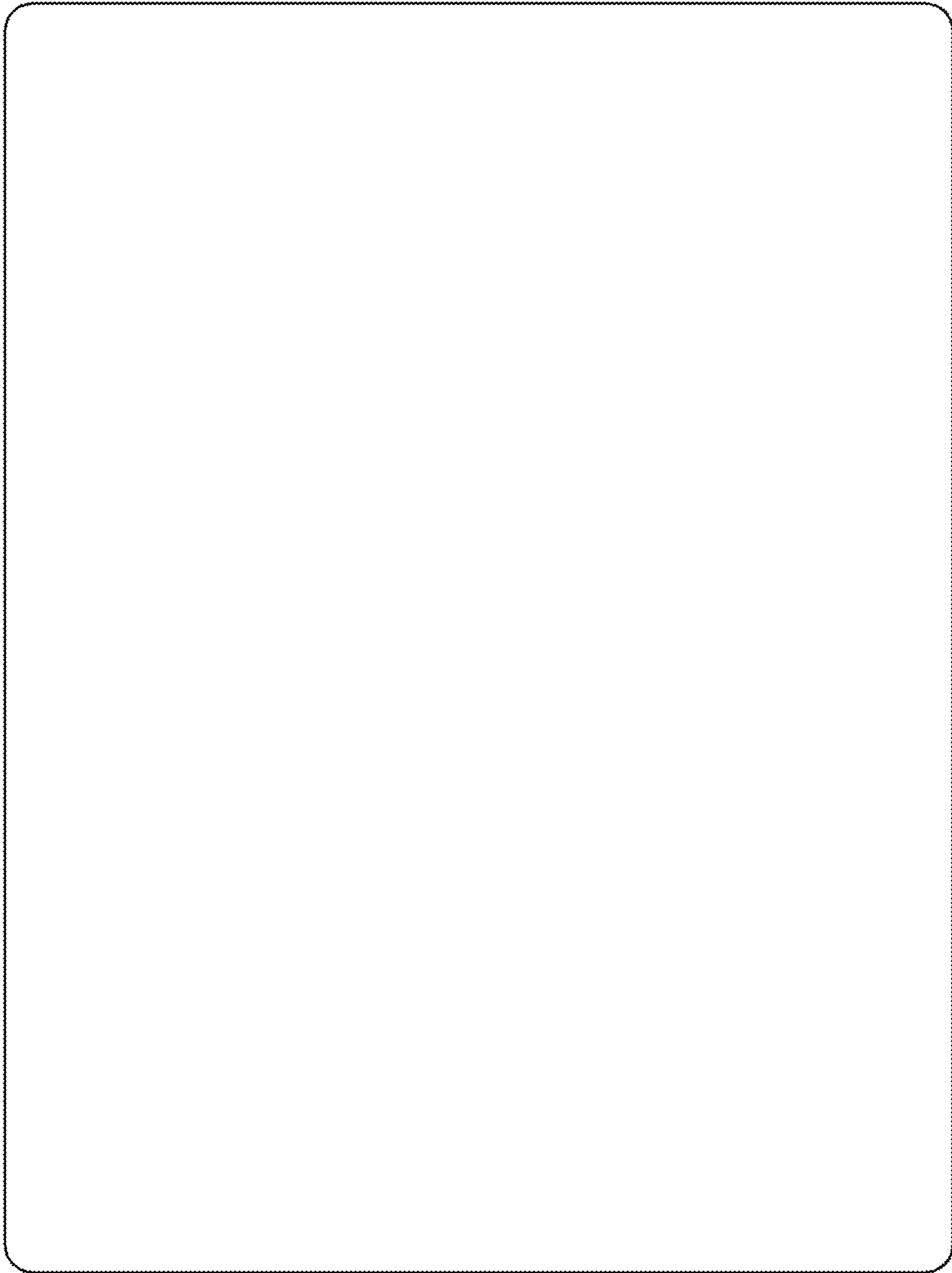


1.6

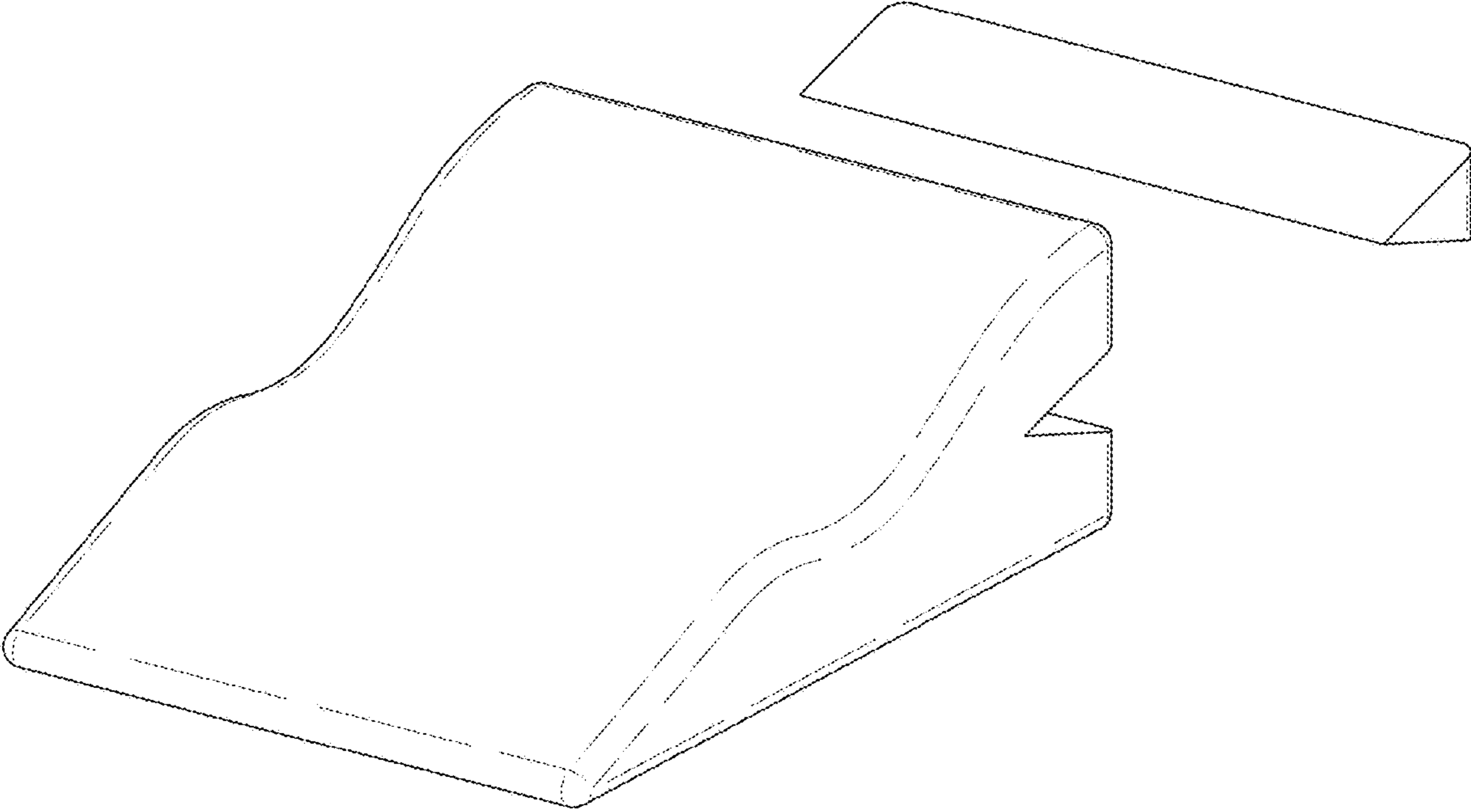




1.7



1.8



1.9

