



US00D941059S

(12) **United States Design Patent**  
**Xiaoping**

(10) **Patent No.:** **US D941,059 S**  
(45) **Date of Patent:** **\*\* Jan. 18, 2022**

(54) **SUPPORT PILLOW**  
(71) Applicant: **Wu Xiaoping**, ShenZhen (CN)  
(72) Inventor: **Wu Xiaoping**, ShenZhen (CN)  
(\*\*) Term: **15 Years**

D334,107 S \* 3/1993 Johnson ..... D6/601  
D366,966 S \* 2/1996 Bonaddio ..... D6/335  
D400,386 S \* 11/1998 Keilhauer ..... D6/601  
6,154,904 A \* 12/2000 Ehredt ..... A45C 3/10  
5/639  
6,345,401 B1 \* 2/2002 Frydman ..... A47G 9/10  
5/636

(Continued)

(21) Appl. No.: **29/769,791**

**FOREIGN PATENT DOCUMENTS**

(22) Filed: **Feb. 8, 2021**  
(51) **LOC (13) Cl.** ..... **06-09**  
(52) **U.S. Cl.**

CN 305892839 \* 7/2013  
CN 306102103 \* 10/2020  
CN 306159124 \* 11/2020

USPC ..... **D6/601**

**OTHER PUBLICATIONS**

(58) **Field of Classification Search**  
USPC ..... D6/595, 596, 597, 600, 601, 603, 604,  
D6/605, 606, 608, 522, 546, 582, 583;  
D24/183, 185, 234; D21/803, 804, 805,  
D21/809, 439, 440  
CPC ..... A47G 2009/1018; A47G 2009/003; A47G  
9/0253; A47G 9/10; A47G 9/1027; A47G  
9/1036; A47G 9/1054; A47G 9/1063;  
A47G 9/1072; A47G 9/1081; A47G  
9/109; A45F 4/06; A47C 21/06; A47C  
7/18; A47C 20/00; A47C 17/80; A47C  
17/82; A47C 17/64; A47C 27/00; A47C  
27/14; A47C 23/00

Google search: "support pillow" [site visited May 15, 2021]:  
[https://www.google.com/search?q=support+pillow&sxsr=A0aemv1ByKzxkeolpLD0qdYn\\_-hPVKhvjw:1636060186106&source=lnms&tbm=isch&sa=X&ved=2ahUKEwj28-SRz\\_zAhWYoXIEHTH3DqMQ\\_AUoA3oECAEQBQ&biw=1920&bih=1057&dpr=1](https://www.google.com/search?q=support+pillow&sxsr=A0aemv1ByKzxkeolpLD0qdYn_-hPVKhvjw:1636060186106&source=lnms&tbm=isch&sa=X&ved=2ahUKEwj28-SRz_zAhWYoXIEHTH3DqMQ_AUoA3oECAEQBQ&biw=1920&bih=1057&dpr=1) (Year: 2021).\*

(Continued)

See application file for complete search history.

*Primary Examiner* — Sanjeev Paul  
(74) *Attorney, Agent, or Firm* — Runit Ranjit Kanakia

(56) **References Cited**

(57) **CLAIM**

I claim the ornamental design for a support pillow, as shown and described.

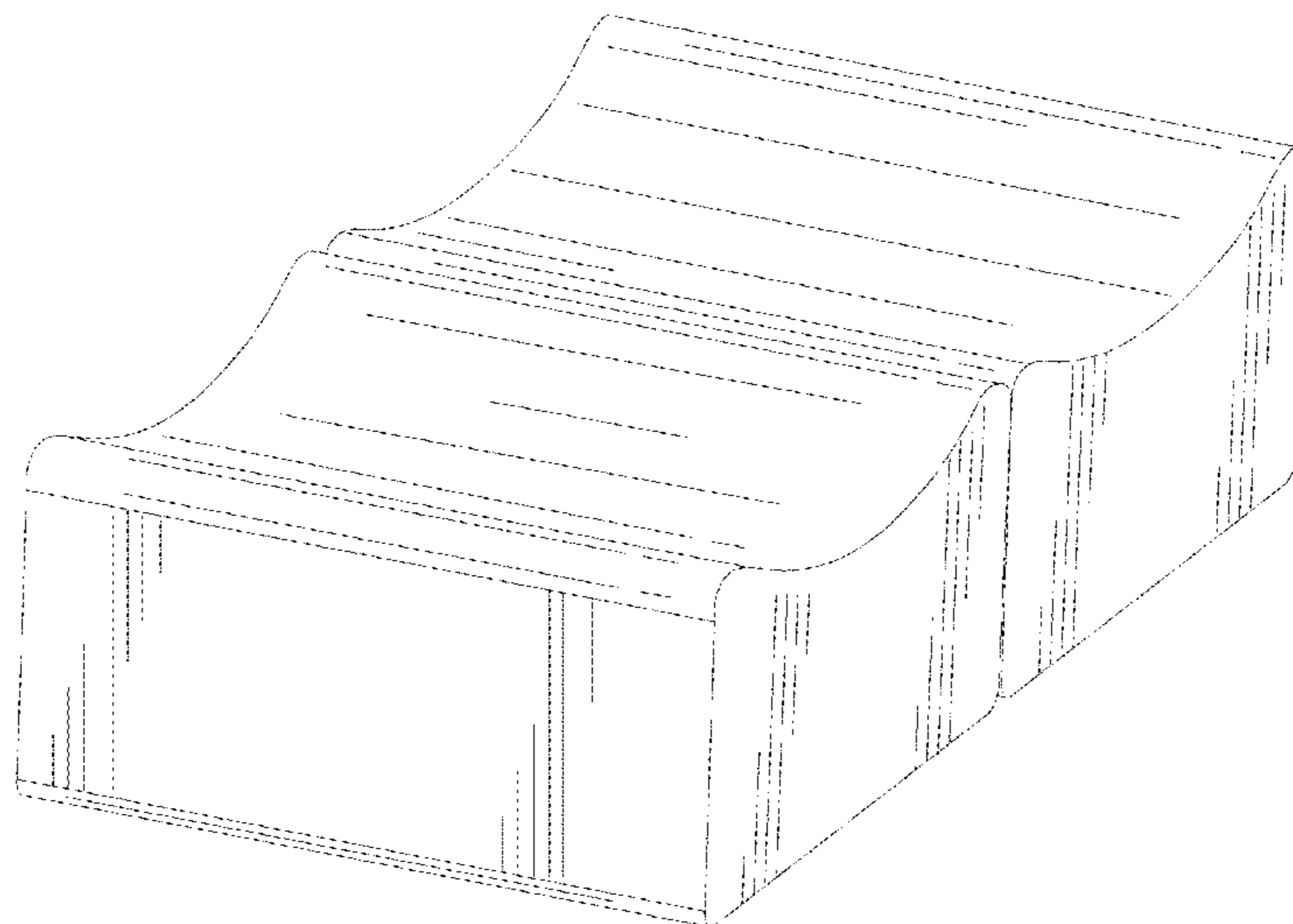
**U.S. PATENT DOCUMENTS**

**DESCRIPTION**

D211,244 S \* 6/1968 Hawley ..... D6/601  
D211,721 S \* 7/1968 Radford ..... D6/601  
3,555,582 A \* 1/1971 Radford ..... A47G 9/10  
5/632  
3,648,308 A \* 3/1972 Greenawalt ..... A47G 9/1081  
5/632  
D254,029 S \* 1/1980 Barbagallo ..... 5/636  
4,475,542 A \* 10/1984 Brassard ..... A61G 13/009  
5/630  
D276,938 S \* 12/1984 Pedersen ..... 5/636  
D284,724 S \* 7/1986 Clark ..... D6/596  
D321,562 S \* 11/1991 Ljungvall ..... D24/183

FIG. 1 is a Perspective view of a support pillow showing my new design in close position;  
FIG. 2 is a Front view thereof;  
FIG. 3 is a Left-side view thereof;  
FIG. 4 is a Right-side view thereof;  
FIG. 5 is a Top view thereof;  
FIG. 6 is a Bottom view thereof; and,  
FIG. 7 is Perspective view of a support pillow showing in open position.

**1 Claim, 5 Drawing Sheets**



(56)

References Cited

U.S. PATENT DOCUMENTS

6,347,421 B1 \* 2/2002 D'Emilio ..... A47C 7/383  
 297/391  
 D466,750 S \* 12/2002 Landvik ..... D6/601  
 6,578,218 B2 \* 6/2003 Wassilefsky ..... A47C 20/021  
 5/630  
 6,935,697 B2 \* 8/2005 Conlon ..... A47C 16/02  
 297/423.41  
 D521,301 S \* 5/2006 Dickson ..... D6/601  
 D531,315 S \* 10/2006 Caudra ..... D24/183  
 D542,071 S \* 5/2007 Chan ..... D6/601  
 D618,945 S 7/2010 Tanaka  
 D637,030 S \* 5/2011 Khandai ..... D6/601  
 D652,935 S \* 1/2012 Held ..... D24/183  
 D728,799 S \* 5/2015 Ravikumar ..... D24/184  
 D731,815 S 6/2015 Paschia  
 D734,546 S \* 7/2015 Baker ..... D28/57  
 D758,100 S \* 6/2016 Pham ..... D6/601  
 D764,062 S \* 8/2016 Dennewald ..... A47G 9/1081  
 D24/183  
 D781,076 S 3/2017 Stokes  
 D807,973 S \* 1/2018 Leonardo ..... D21/686  
 D823,479 S \* 7/2018 Mollohan ..... D24/215  
 D833,628 S \* 11/2018 Davis ..... D24/190  
 D845,035 S \* 4/2019 Raad ..... D6/601  
 D845,674 S 4/2019 Hariri et al.

D859,664 S \* 9/2019 Dennewald ..... D24/183  
 D863,824 S \* 10/2019 Comercio ..... D6/601  
 D864,612 S \* 10/2019 Castellano ..... D6/601  
 D869,197 S \* 12/2019 Chen ..... D6/601  
 D871,593 S \* 12/2019 Rossouw ..... D24/190  
 D883,714 S 5/2020 Comercio  
 D907,399 S \* 1/2021 Pavlin ..... D6/601  
 D907,941 S \* 1/2021 Chanfrau, IV ..... D6/601  
 D908,392 S \* 1/2021 Despen ..... D6/601  
 D909,792 S \* 2/2021 Pound ..... D6/601  
 D920,005 S \* 5/2021 Brown ..... D6/601  
 D929,769 S \* 9/2021 Chen ..... D6/597  
 2015/0164727 A1 \* 6/2015 Lopez ..... A61G 5/1091  
 5/653  
 2016/0338499 A1 \* 11/2016 Langer ..... A61G 7/05723  
 2019/0365553 A1 \* 12/2019 Drivere ..... A61F 5/01  
 2021/0030583 A1 \* 2/2021 Chanfrau, IV ..... A47G 9/1072

OTHER PUBLICATIONS

Google search: "leg pillow" [site visited May 15, 2021]: [https://www.google.com/search?q=leg+pillow&sxsrf=AOaemvL3E-IU8FRUmlAEaZXoDse2y0Bzyw:1636060408565&source=lnms&tbm=isch&sa=X&ved=2ahUKEwiE3O77z\\_zAhVcgnlEHbVHDo0Q\\_AUoAnoECAEQBA&biw=1200&bih=1777&dpr=1](https://www.google.com/search?q=leg+pillow&sxsrf=AOaemvL3E-IU8FRUmlAEaZXoDse2y0Bzyw:1636060408565&source=lnms&tbm=isch&sa=X&ved=2ahUKEwiE3O77z_zAhVcgnlEHbVHDo0Q_AUoAnoECAEQBA&biw=1200&bih=1777&dpr=1) (Year: 2021).\*

\* cited by examiner

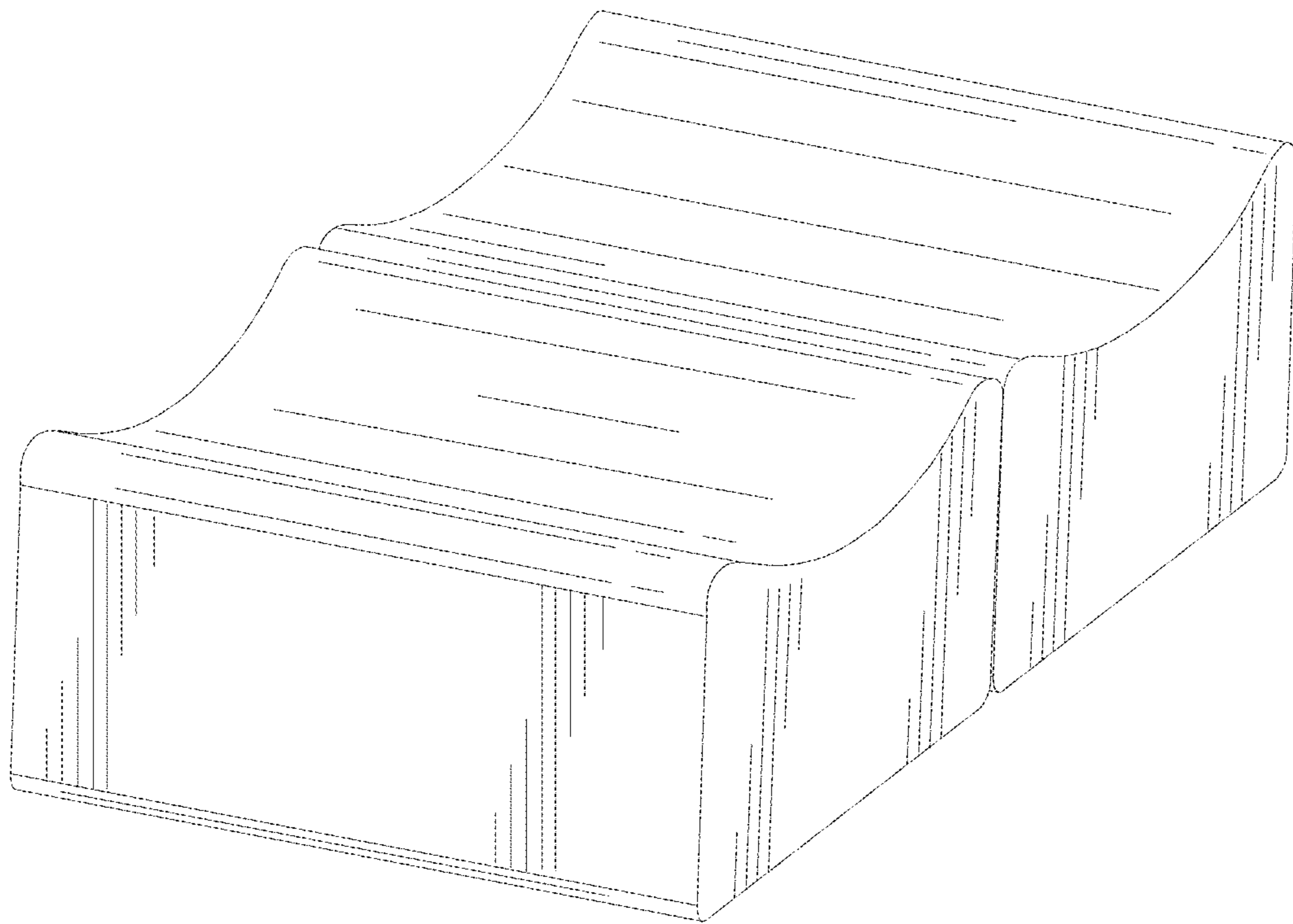


FIG. 1

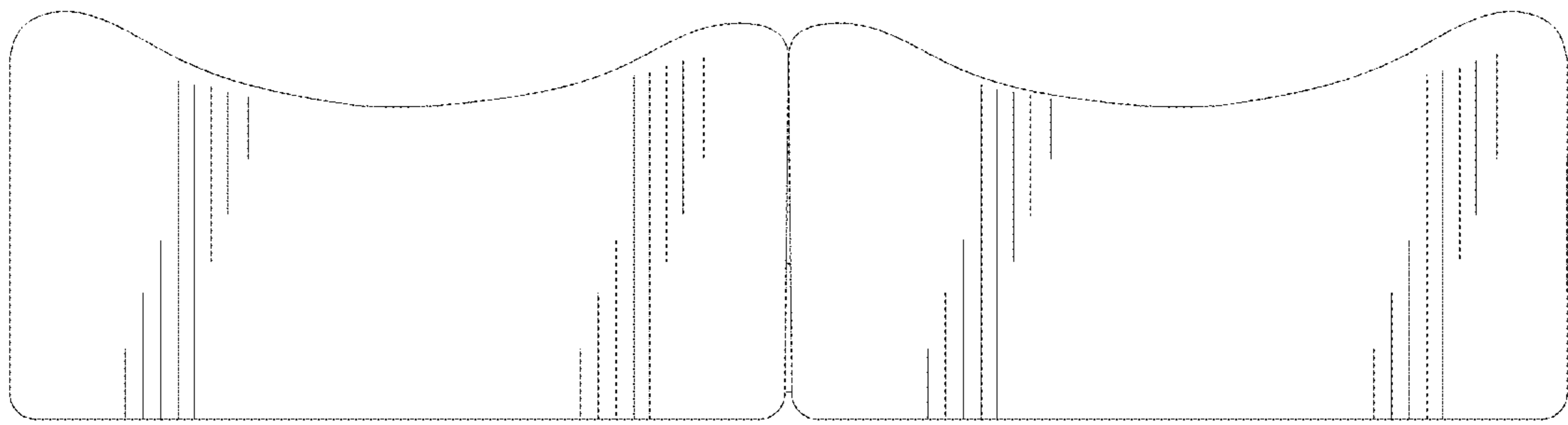


FIG. 2

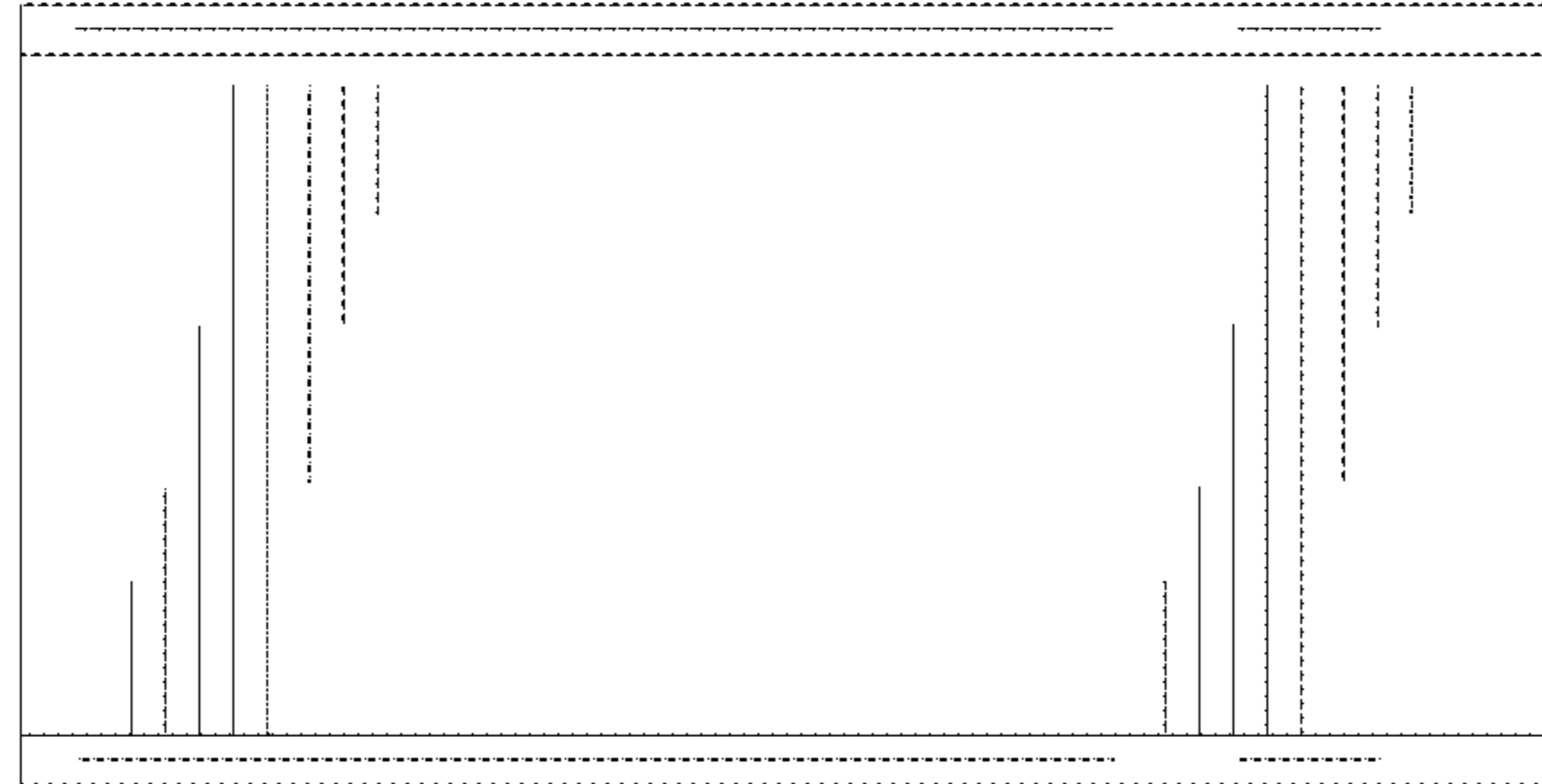


FIG. 3

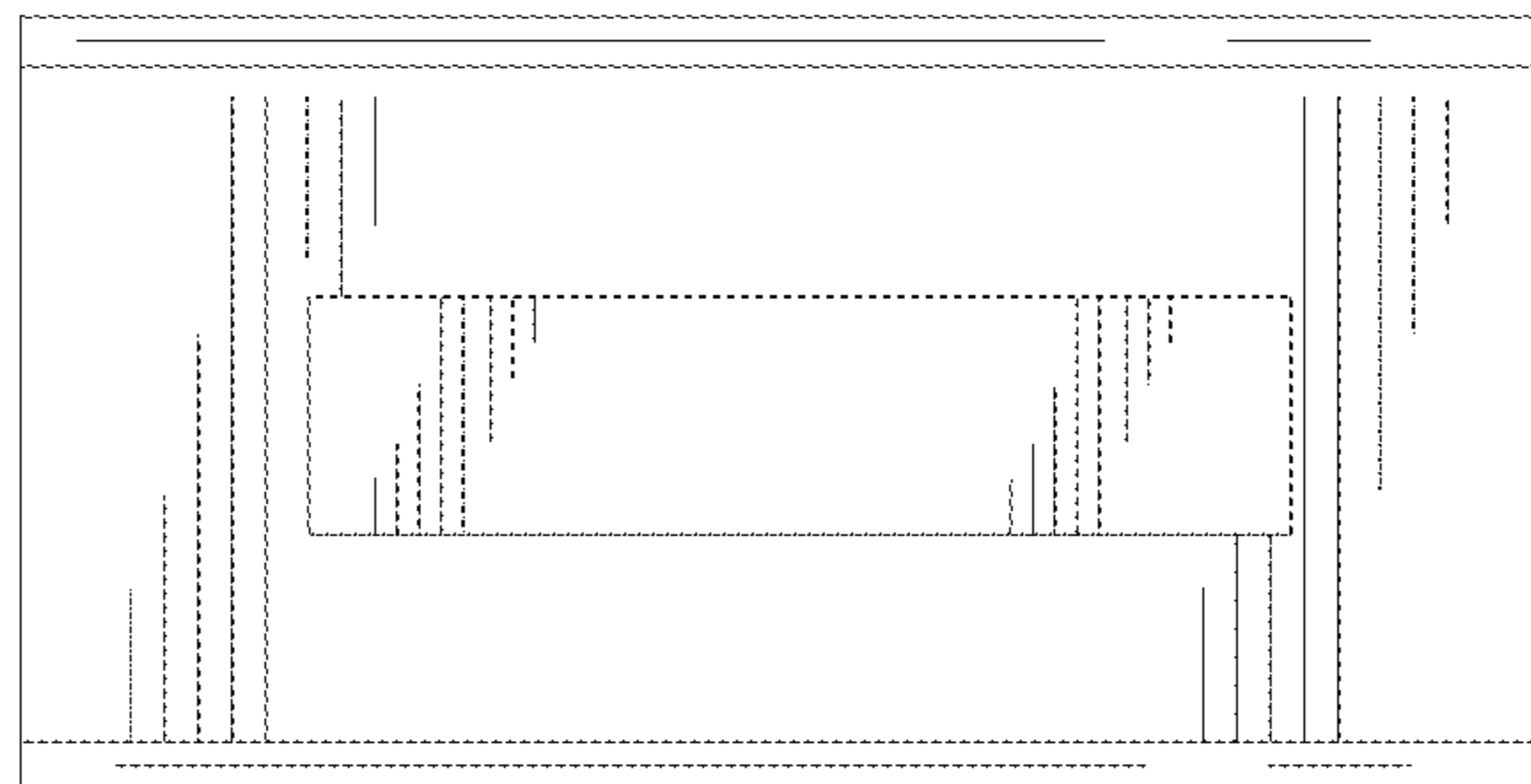


FIG. 4

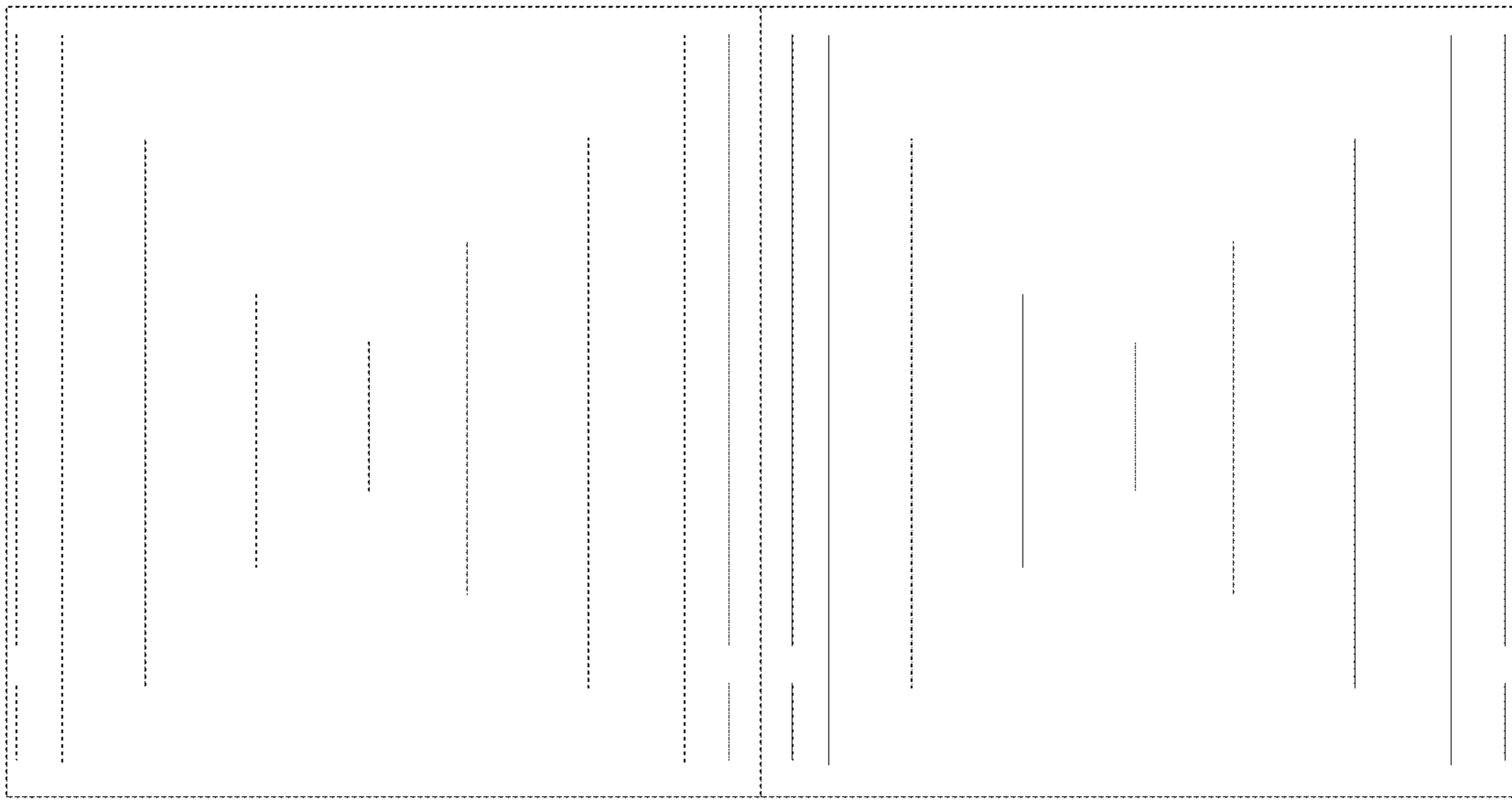


FIG. 5

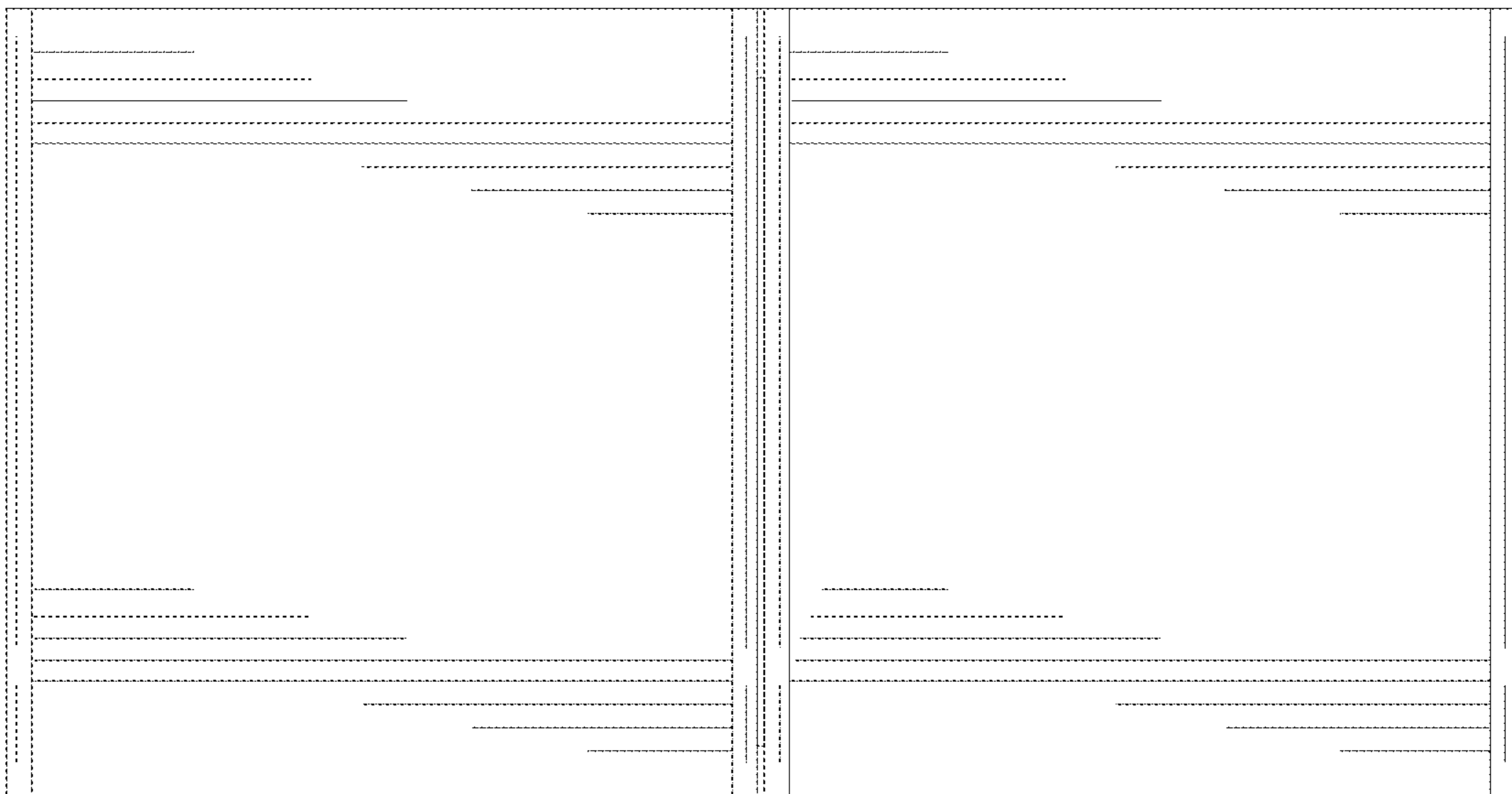


FIG. 6

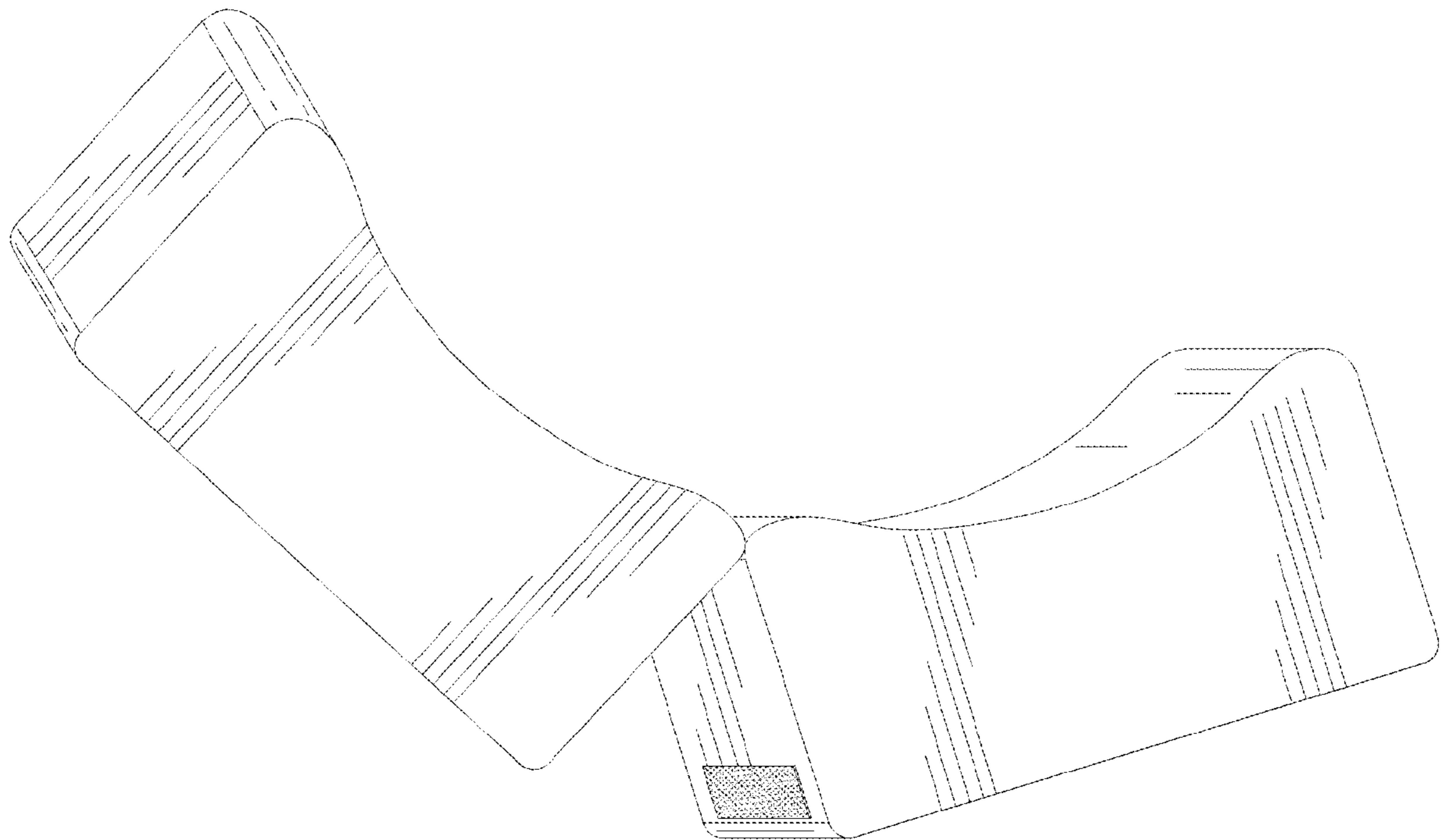


FIG. 7