



US00D941056S

(12) **United States Design Patent**
Zou

(10) **Patent No.:** **US D941,056 S**
(45) **Date of Patent:** **** Jan. 18, 2022**

(54) **PILLOW**

(71) Applicant: **Xia Zou**, Guangdong (CN)

(72) Inventor: **Xia Zou**, Guangdong (CN)

(**) Term: **15 Years**

(21) Appl. No.: **29/746,799**

(22) Filed: **Aug. 18, 2020**

(30) **Foreign Application Priority Data**

Jul. 22, 2020 (CN) 202030403343.9

(51) **LOC (13) Cl.** **06-09**

(52) **U.S. Cl.**
USPC **D6/601**

(58) **Field of Classification Search**
USPC D6/582-583, 587-592, 595-609,
D6/617-622; D21/803-809; D24/183
CPC A47G 9/00; A47G 2009/001; A47G
2009/002; A47G 2009/003; A47G 9/10;
A47G 9/1009; A47G 2009/1018; A47G
9/1045; A47G 9/1081; A47G 9/109
See application file for complete search history.

(56) **References Cited**

U.S. PATENT DOCUMENTS

4,218,792 A * 8/1980 Kogan A47G 9/109
5/636
D465,686 S * 11/2002 Hwong D6/601
D759,991 S * 6/2016 Jing D6/601
D856,028 S * 8/2019 Zou D6/601
D869,196 S * 12/2019 Shin D6/601
D880,195 S * 4/2020 Yang D6/601

D898,429 S * 10/2020 Huang D6/601
10,888,183 B2 * 1/2021 Popitz A61G 7/072
D913,013 S * 3/2021 Rensin D6/601
2009/0139031 A1 * 6/2009 Davis A61G 7/072
5/639
2011/0131728 A1 * 6/2011 Rose A47G 9/109
5/636
2012/0180220 A1 * 7/2012 Popitz A47G 9/1081
5/638
2014/0026323 A1 * 1/2014 Bowers A47G 9/10
5/636
2015/0265075 A1 * 9/2015 Liu A61F 5/56
5/640
2017/0156958 A1 * 6/2017 Roh A47G 9/1081

* cited by examiner

Primary Examiner — Jennifer L Rempfer

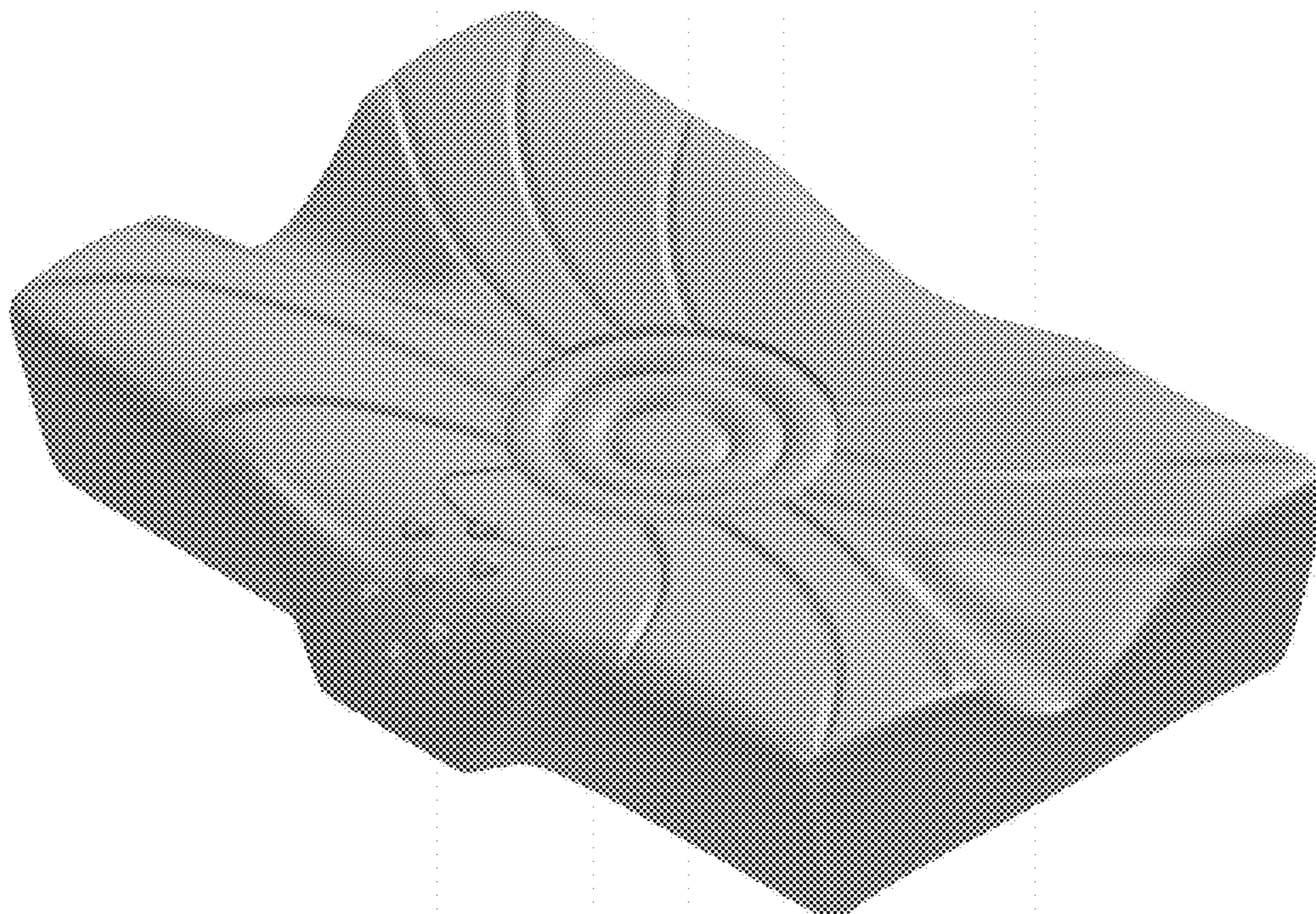
(57) **CLAIM**

The ornamental design for a pillow, as shown.

DESCRIPTION

FIG. 1 is a front elevational view of a pillow showing my new design;
FIG. 2 is a rear elevational view thereof;
FIG. 3 is a left side view thereof;
FIG. 4 is a right side view thereof;
FIG. 5 is a top plan view thereof;
FIG. 6 is a bottom plan view thereof;
FIG. 7 is a perspective view thereof;
FIG. 8 is second perspective view thereof;
FIG. 9 is third perspective view thereof; and,
FIG. 10 is a perspective view with the rear portion detached thereof.

1 Claim, 5 Drawing Sheets



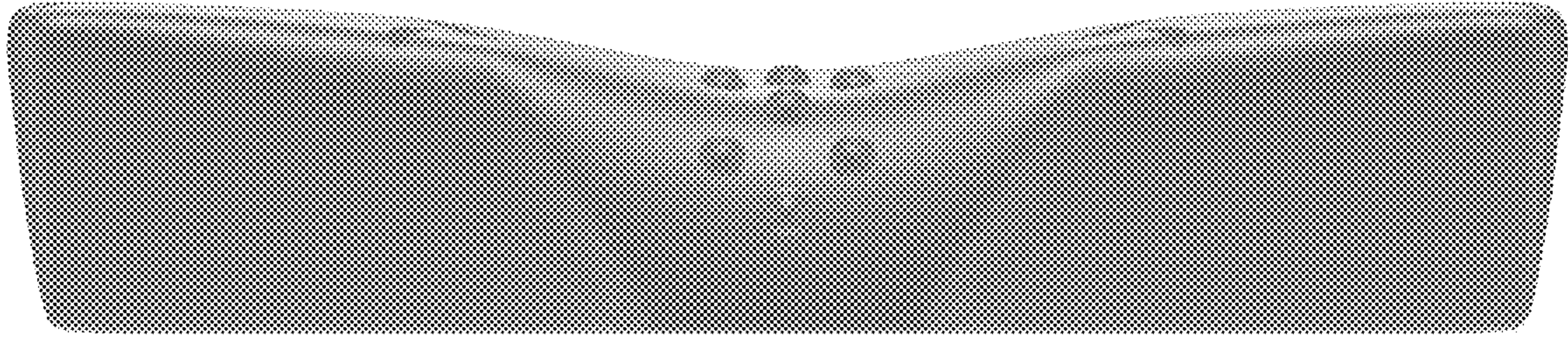


FIG. 1

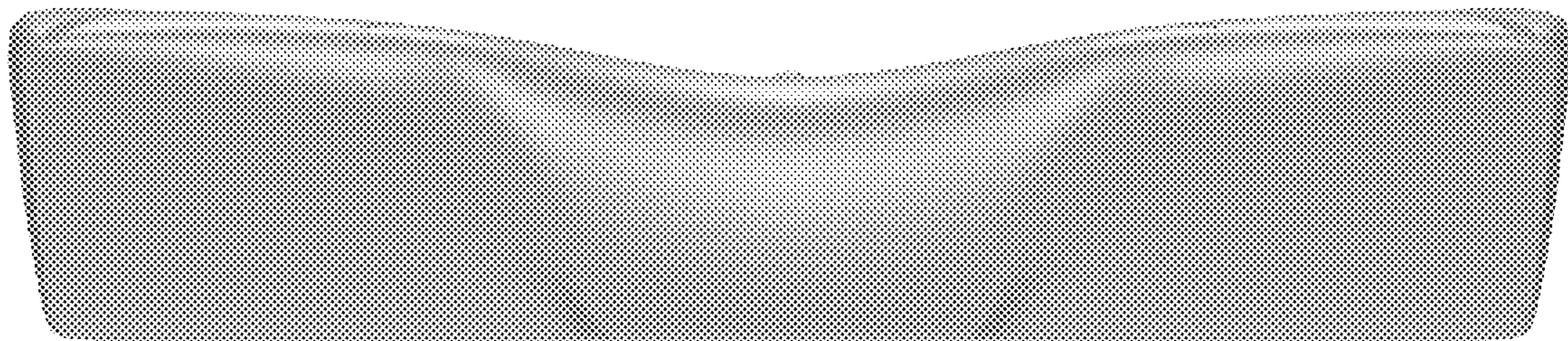


FIG. 2

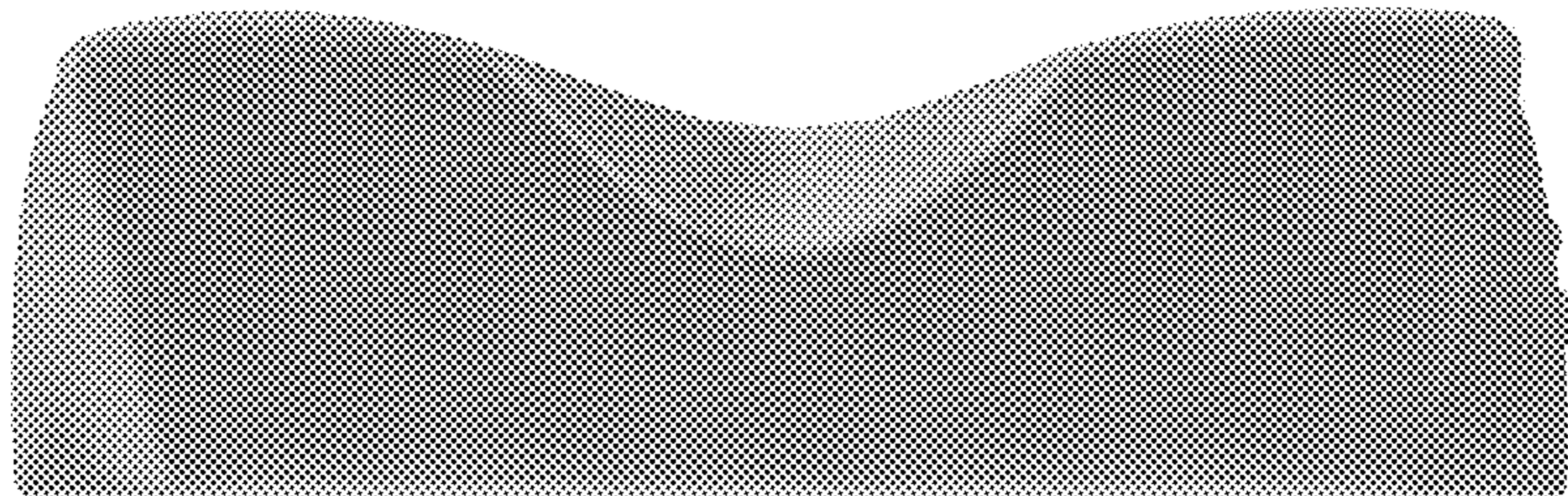


FIG. 3

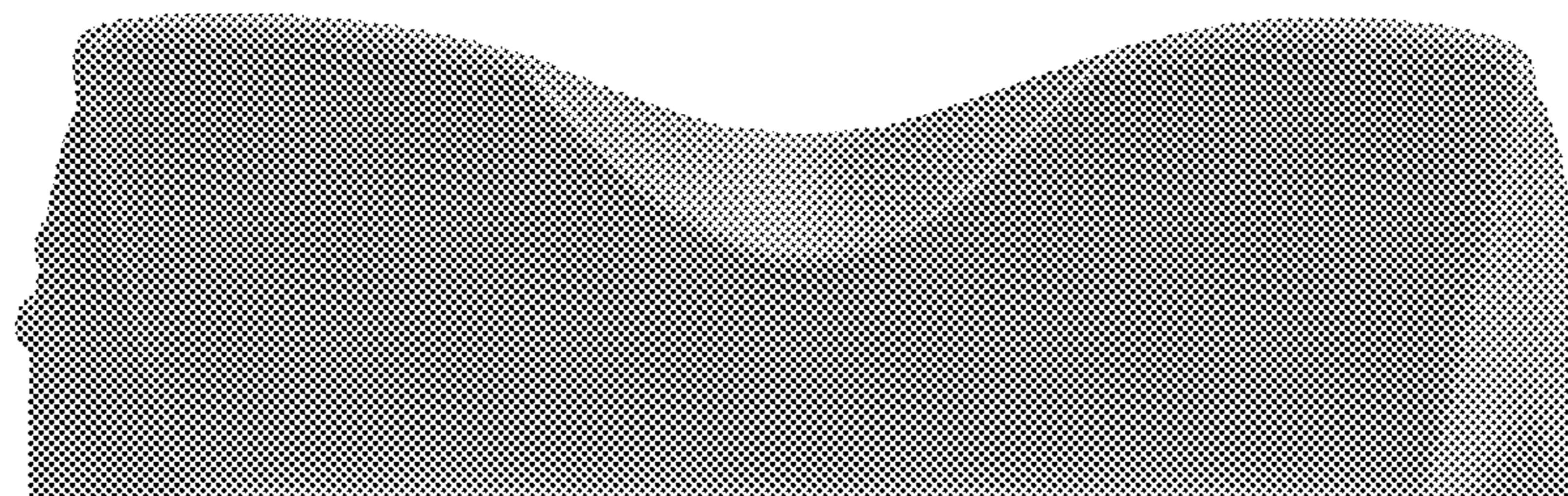


FIG. 4

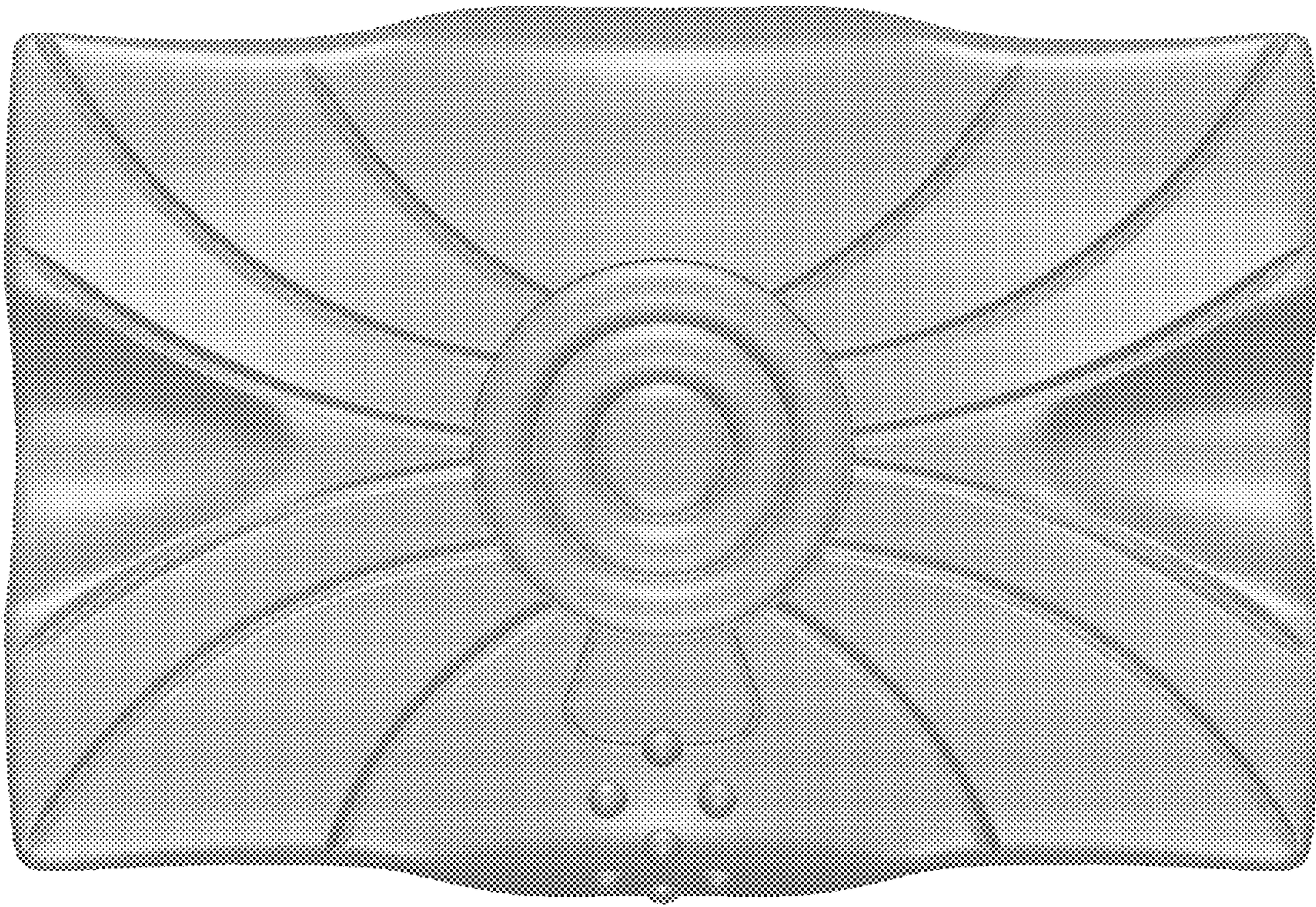


FIG. 5

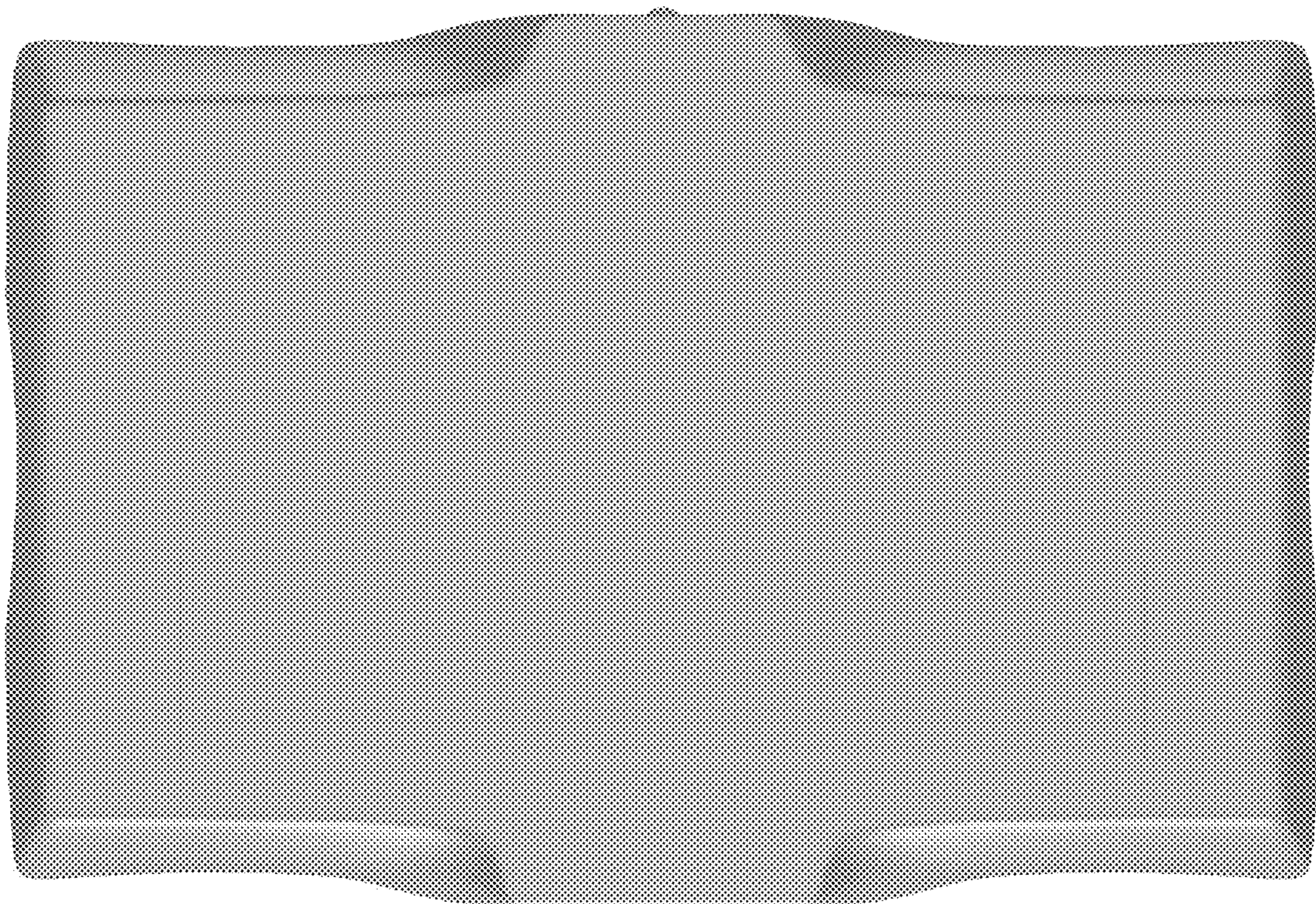


FIG. 6

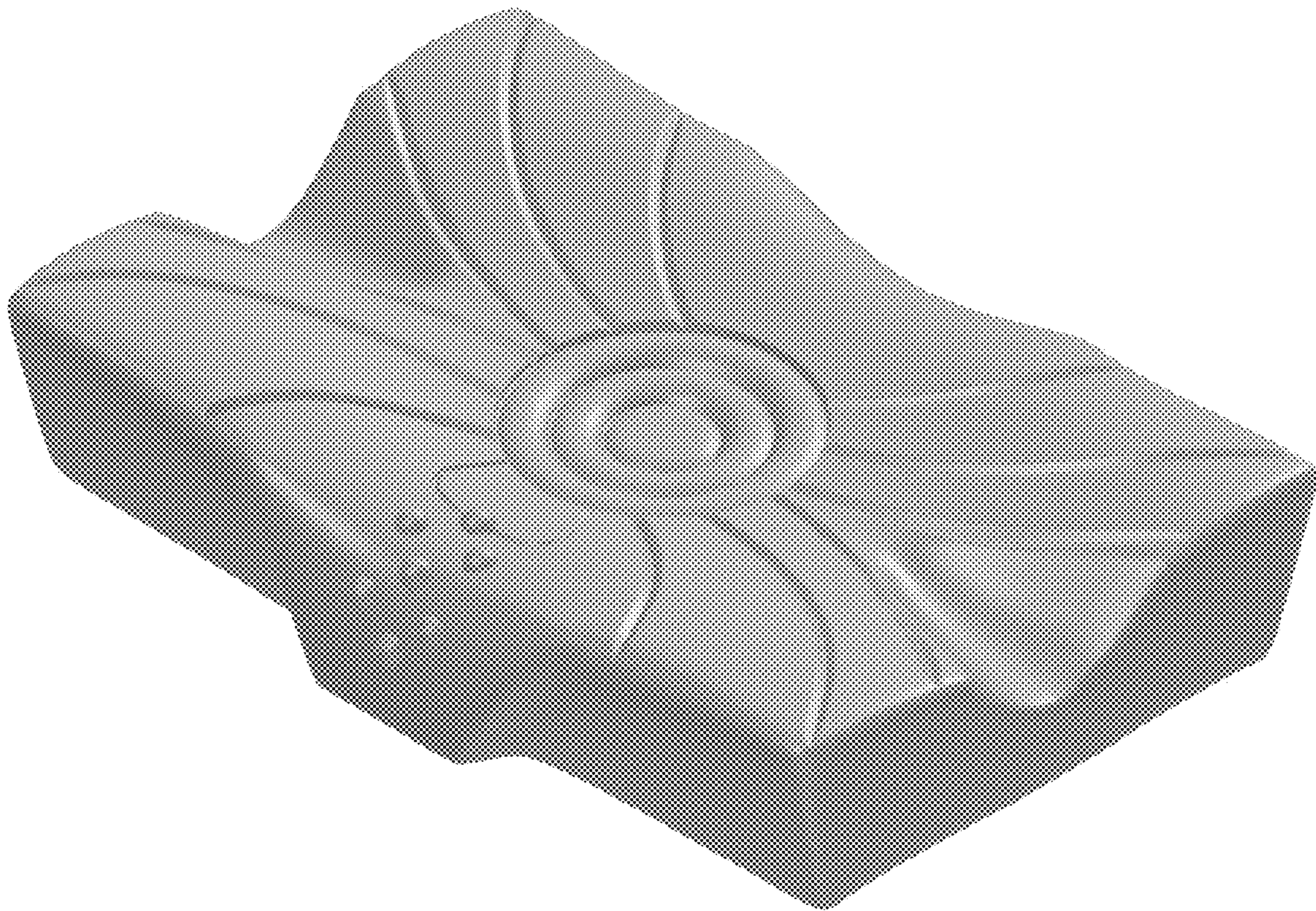


FIG. 7

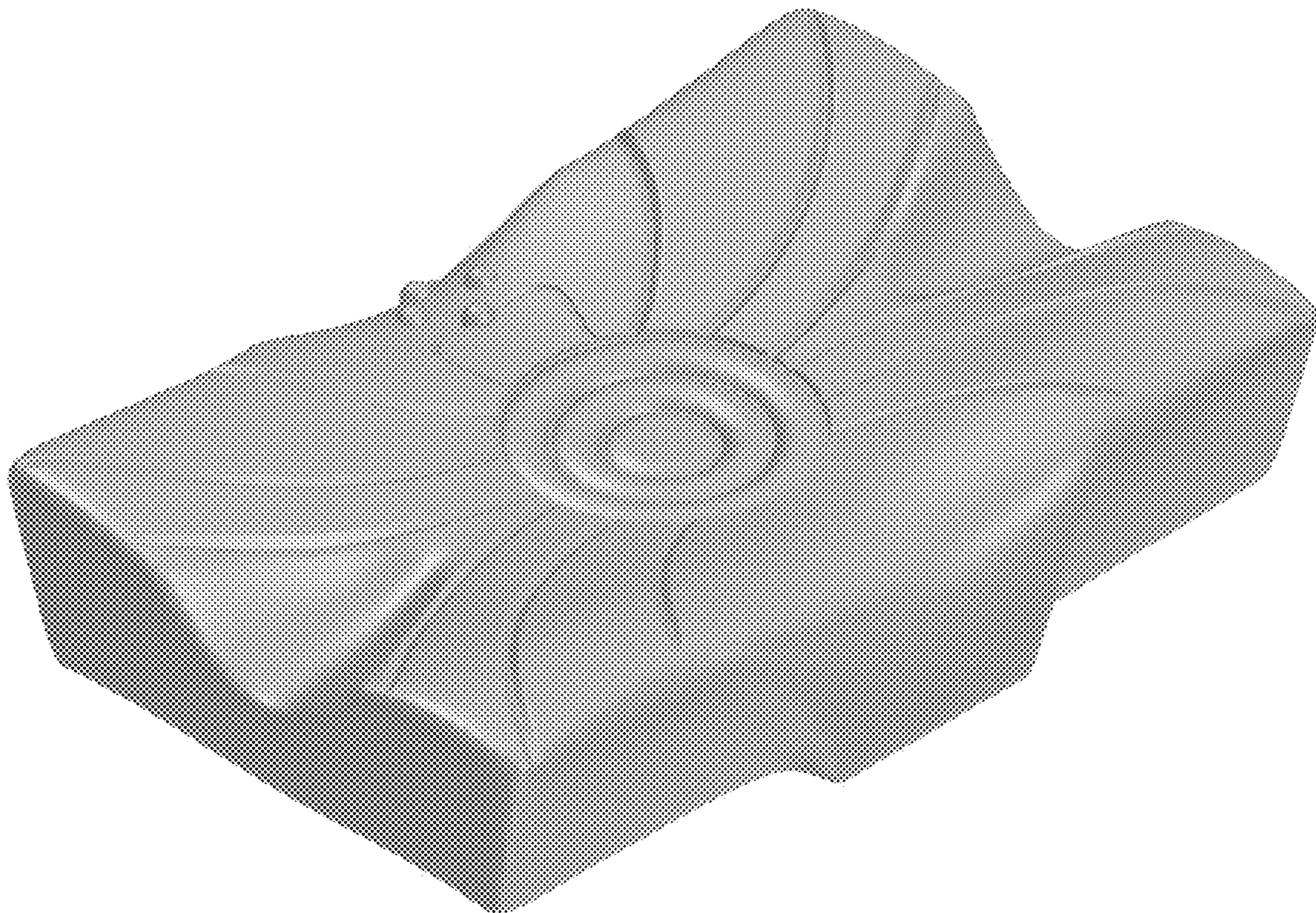


FIG. 8

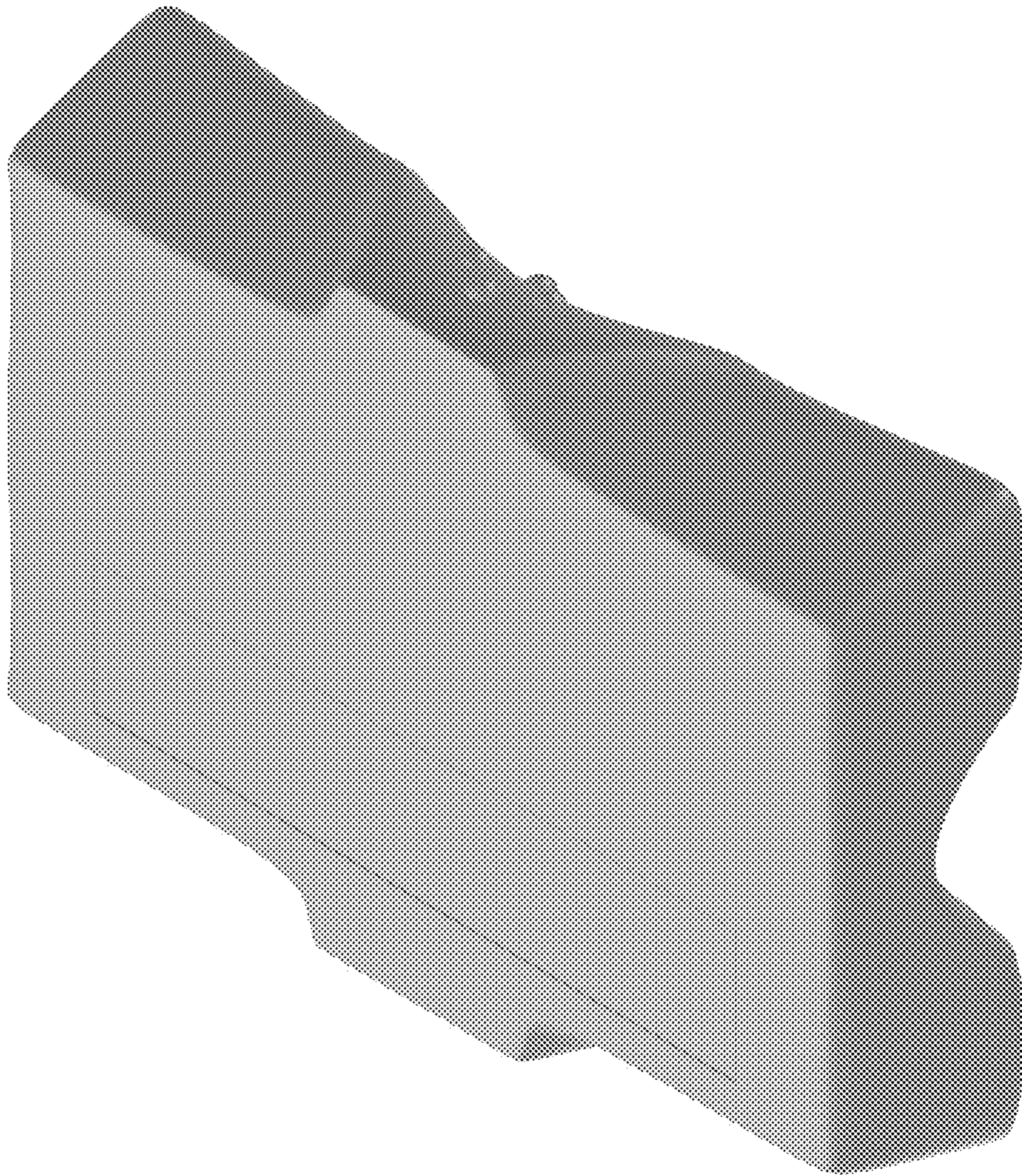


FIG. 9

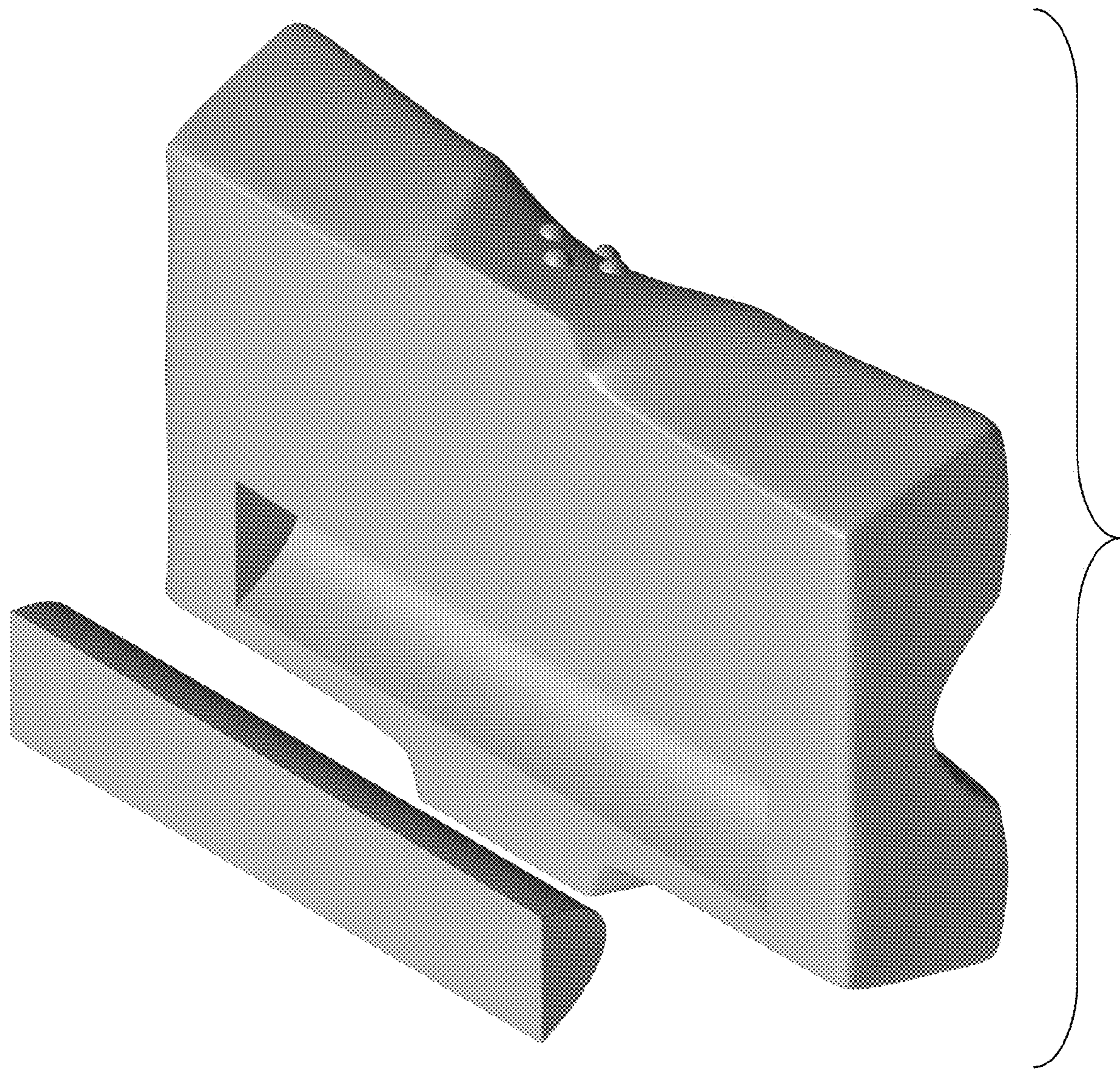


FIG. 10