



US00D941055S

(12) **United States Design Patent** (10) **Patent No.:** **US D941,055 S**
Ilmoniemi (45) **Date of Patent:** **** Jan. 18, 2022**

(54) **BATHING PLATFORM**
(71) Applicant: **John Ilmoniemi**, Rockaway Park, NY (US)
(72) Inventor: **John Ilmoniemi**, Rockaway Park, NY (US)
(**) Term: **15 Years**
(21) Appl. No.: **29/747,413**
(22) Filed: **Aug. 21, 2020**
(51) **LOC (13) Cl.** **06-11**
(52) **U.S. Cl.**
USPC **D6/583**
(58) **Field of Classification Search**
USPC D6/582-588, 592, 596; D12/203; D24/212; D32/57
CPC A47G 27/0206; A47G 27/0212; A47G 27/0218; A47G 27/0225; A47G 27/0237; A47G 9/062; A47K 3/002; A47K 7/026; A47L 23/26; A47L 23/266; A63B 21/4037; A63B 6/00; A63B 23/0464
See application file for complete search history.

3,808,628 A * 5/1974 Betts A47L 23/26
15/215
D268,308 S 3/1983 Milani
D310,460 S 9/1990 Vergnano
D356,228 S 3/1995 Sano
D378,645 S * 4/1997 Reardon D6/582
D418,647 S * 1/2000 Snell D32/55
D467,662 S 12/2002 Leung
D594,263 S * 6/2009 Robbins, III D6/582
D717,568 S 11/2014 Drazin
D774,327 S 12/2016 Chang
D781,018 S 3/2017 Evans
9,604,428 B2 3/2017 Walker
D793,316 S 8/2017 Gross
D883,346 S * 5/2020 Pier A47L 23/24
D15/32
D924,515 S * 7/2021 Levi A47G 27/0212
D32/57
2005/0063780 A1 3/2005 Thorne
2006/0165937 A1 7/2006 Gold
2014/0272288 A1* 9/2014 Lawson A47G 27/0418
428/138

(Continued)

Primary Examiner — Kevin K Rudzinski
Assistant Examiner — Clare Ann Gannon
(74) *Attorney, Agent, or Firm* — Goldstein Law Offices, P.C.

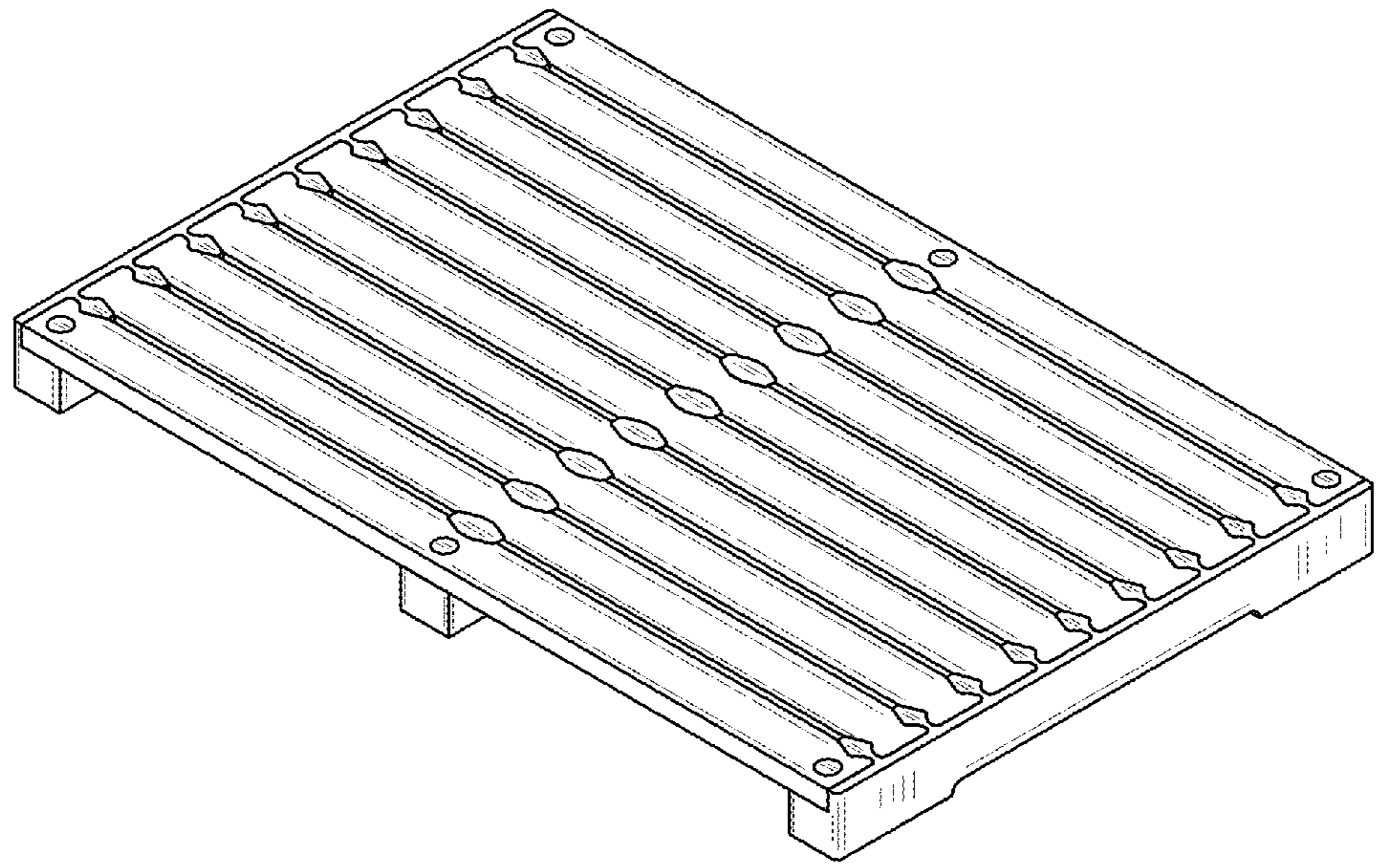
(56) **References Cited**
U.S. PATENT DOCUMENTS
118,952 A 9/1871 Lewis
835,274 A * 11/1906 Burns A47L 23/24
15/215
1,465,784 A 4/1922 Richardson
1,988,825 A * 1/1935 Barker A47G 27/0218
52/669
2,169,902 A 8/1939 Ransom
2,194,653 A 3/1940 Gell
2,388,927 A 11/1945 Moor, Jr.
2,525,277 A * 10/1950 Thompson, Sr. .. A47G 27/0212
160/231.2
D165,926 S 2/1952 Moor, Jr.
3,579,704 A 5/1971 Holzl

(57) **CLAIM**
The ornamental design for a bathing platform, as shown and described.

DESCRIPTION

FIG. 1 is a perspective view of the bathing platform.
FIG. 2 is a front elevational view of the bathing platform.
FIG. 3 is a rear elevational view thereof.
FIG. 4 is a top plan view thereof.
FIG. 5 is a bottom plan view thereof.
FIG. 6 is a right side elevational view thereof; and,
FIG. 7 is a left side elevational view thereof.

1 Claim, 4 Drawing Sheets



(56)

References Cited

U.S. PATENT DOCUMENTS

2017/0367513 A1 * 12/2017 Loegering E04F 15/02161
2019/0284820 A1 9/2019 Lu

* cited by examiner

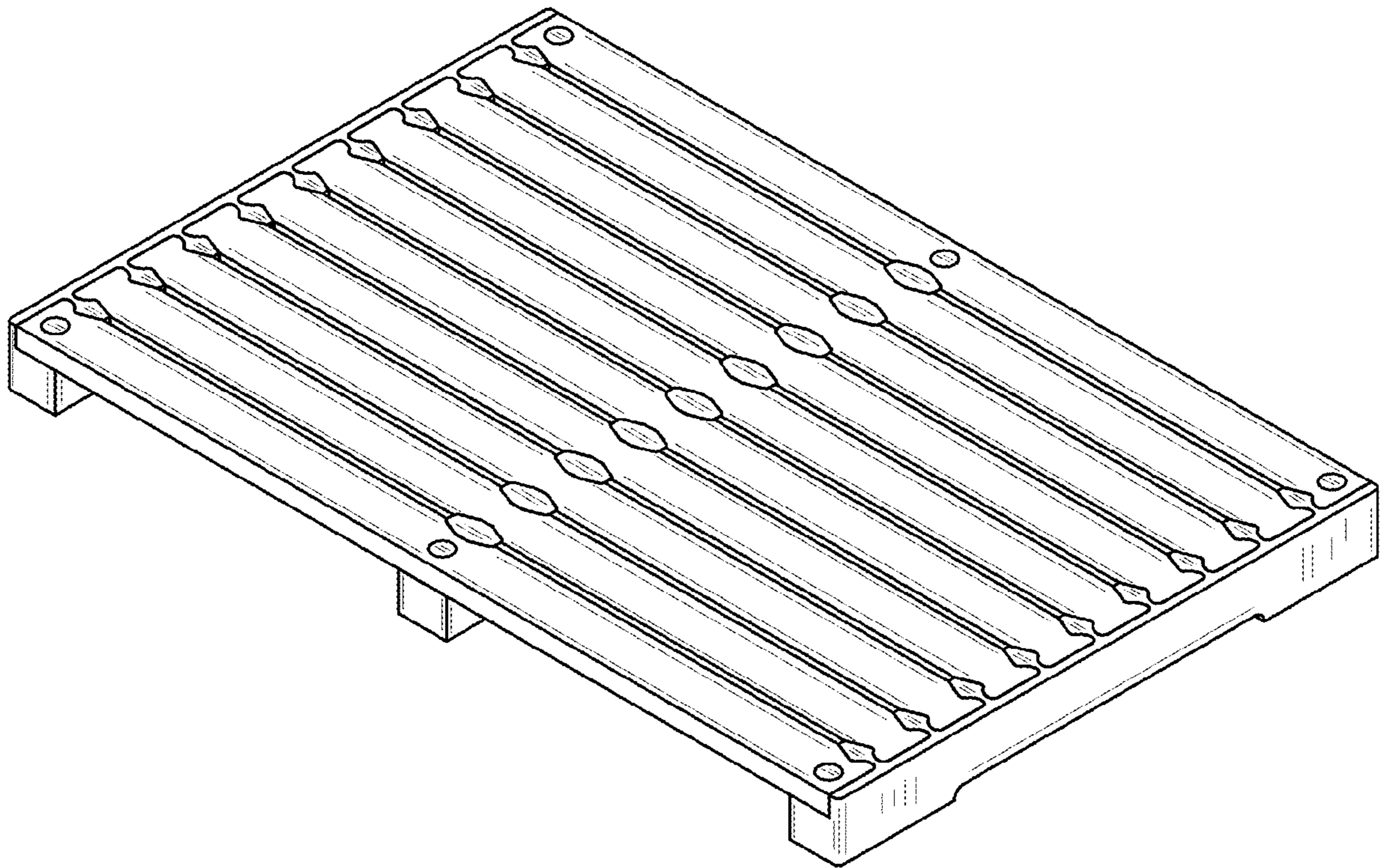


FIG. 1

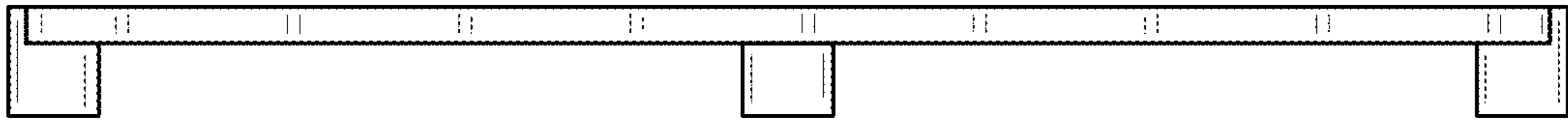


FIG. 2

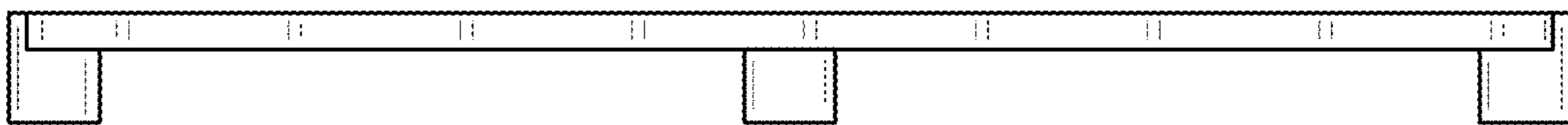


FIG. 3

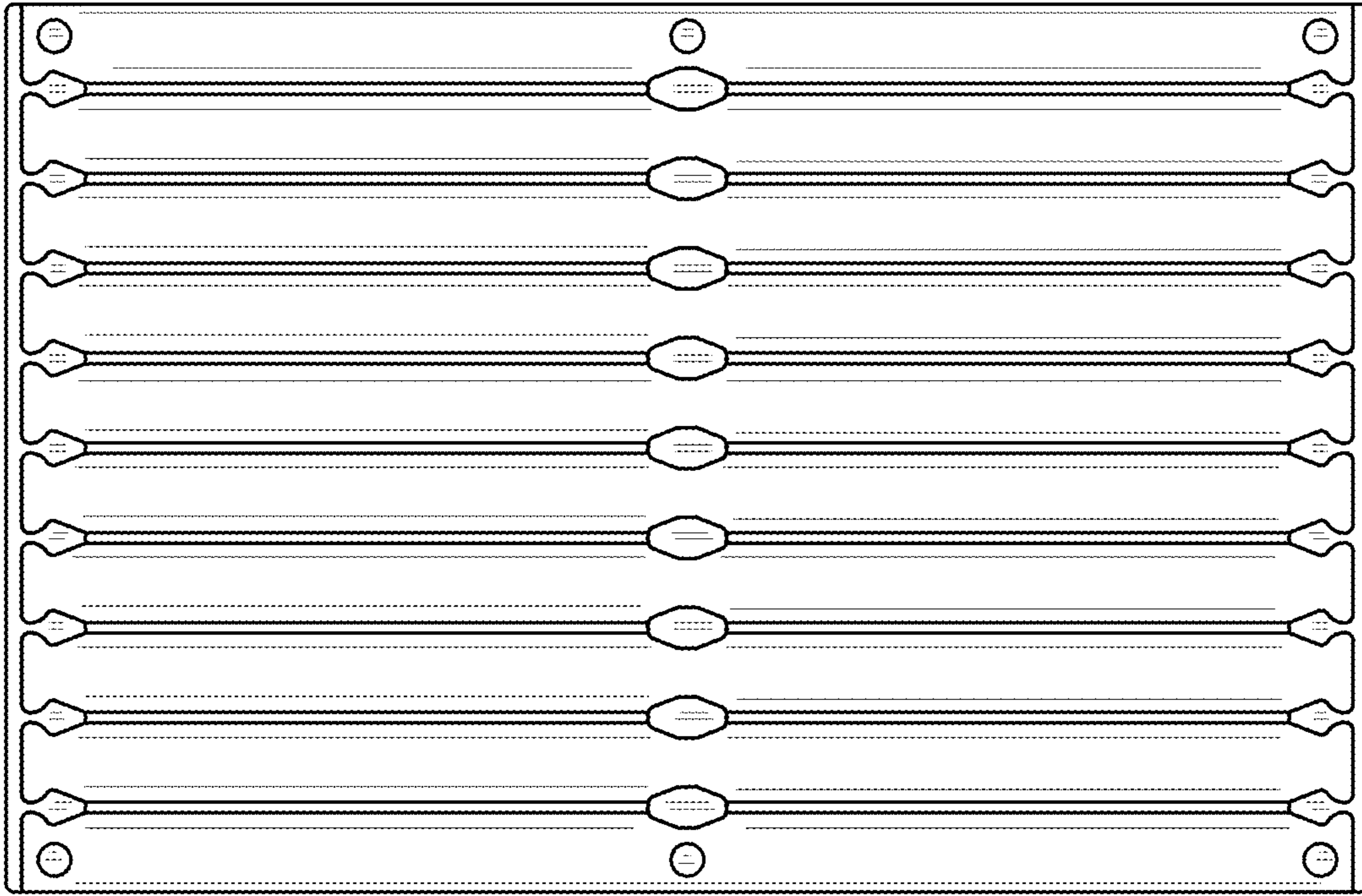


FIG. 4

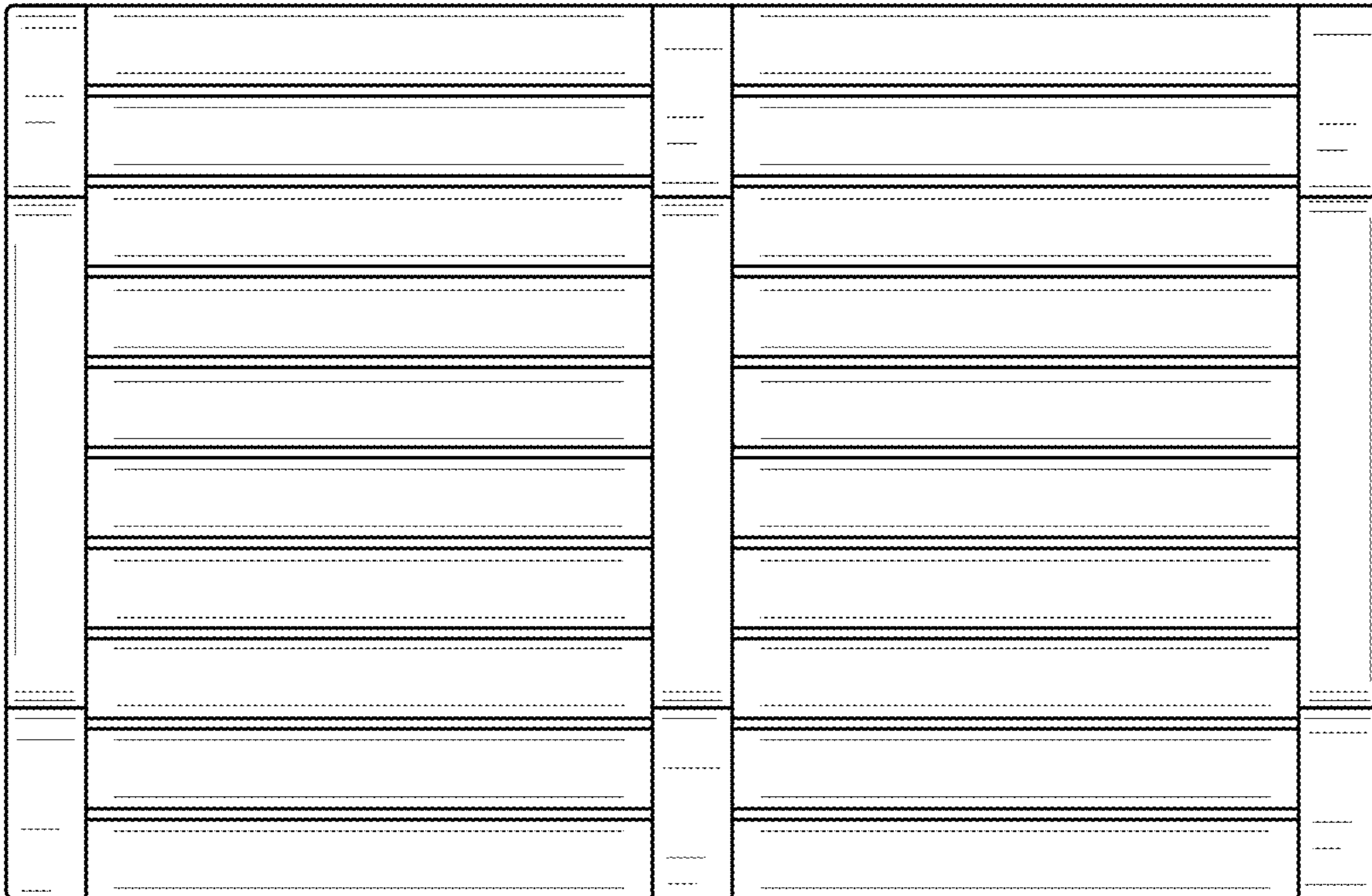


FIG. 5



FIG. 6

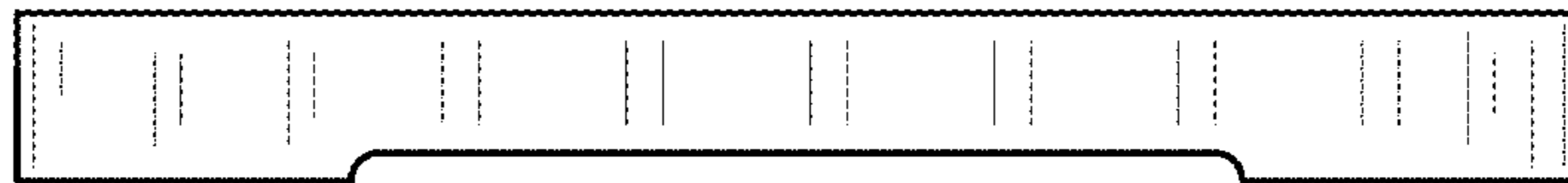


FIG. 7