



US00D941053S

(12) **United States Design Patent** (10) **Patent No.:** **US D941,053 S**  
**Pejic** (45) **Date of Patent:** **\*\* Jan. 18, 2022**

(54) **BRACKET COVER APPLIED TO A WINDOW TREATMENT**

FOREIGN PATENT DOCUMENTS

(71) Applicant: **Lutron Technology Company LLC**,  
Coopersburg, PA (US)

BE 200900404 9/2011  
DE G 89 14 725.1 8/1990

(Continued)

(72) Inventor: **Vladislav Pejic**, Allentown, PA (US)

OTHER PUBLICATIONS

(73) Assignee: **Lutron Technology Company LLC**,  
Coopersburg, PA (US)

Coulisse, Absolute Roller Blind 2.0 Brochure, Aug. 2015, 124 pages.

(\*\*) Term: **15 Years**

(Continued)

(21) Appl. No.: **29/770,829**

*Primary Examiner* — Kevin K Rudzinski

*Assistant Examiner* — Clare Ann Gannon

(22) Filed: **Feb. 17, 2021**

(74) *Attorney, Agent, or Firm* — Saidman DesignLaw Group, LLC

**Related U.S. Application Data**

(63) Continuation of application No. 29/717,785, filed on Dec. 19, 2019, now Pat. No. Des. 911,743, which is a continuation of application No. 29/604,680, filed on May 19, 2017, now Pat. No. Des. 874,183.

(57) **CLAIM**

(51) **LOC (13) Cl.** ..... **06-10**

The ornamental design for a bracket cover applied to a window treatment, as shown and described.

(52) **U.S. Cl.**

USPC ..... **D6/580**

(58) **Field of Classification Search**

USPC ..... D5/31, 41, 99; D6/575-581; D13/155; D26/138

CPC ..... E06B 2009/425; E06B 2009/445; E06B 2009/583; E06B 2009/785; E06B 9/32; E06B 9/323; E06B 9/326; E06B 9/388; E06B 9/40; E06B 9/42; E06B 9/46; E06B 9/48; A47K 3/38; A47H 1/04; A47H 11/00; A47H 11/04; A47H 23/00; A47H 23/01; A47H 23/10; A47H 5/032

See application file for complete search history.

**DESCRIPTION**

FIG. 1 is a perspective view of a bracket cover applied to a window treatment showing my new design; FIG. 2 is a perspective view thereof in an alternate environment; FIG. 3 is a front view thereof; FIG. 4 is a rear view thereof; FIG. 5 is a top view thereof; FIG. 6 is a bottom view thereof; FIG. 7 is a left side view thereof; and, FIG. 8 is a right side view.

The broken lines illustrate structure or features which form no part of the claimed design.

The drawings include surface shading which represents contour and not surface ornamentation.

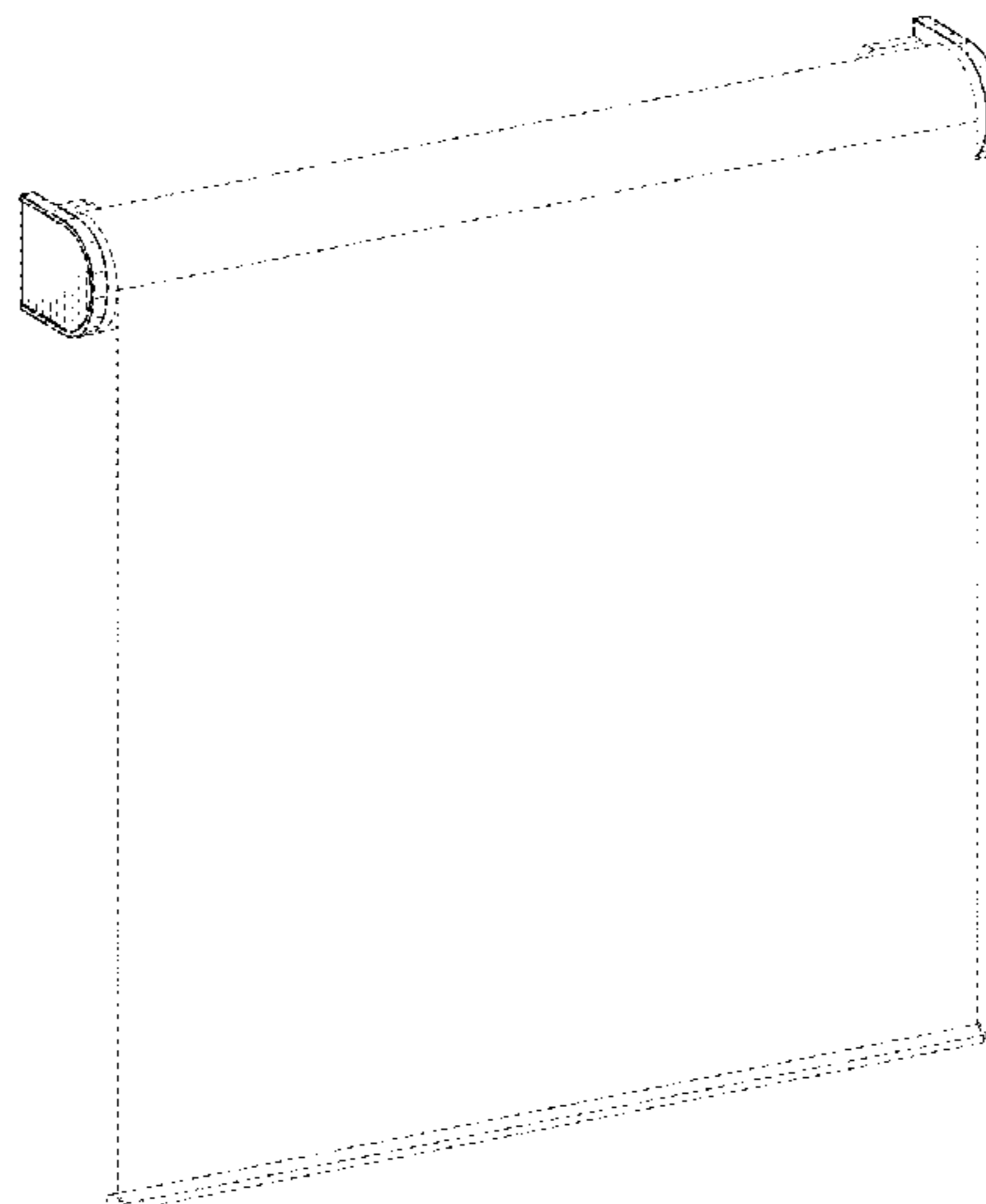
(56) **References Cited**

**U.S. PATENT DOCUMENTS**

846,089 A 3/1907 Cannon  
1,557,419 A 10/1925 Clarke  
2,031,698 A 2/1936 Fanzoi

(Continued)

**1 Claim, 4 Drawing Sheets**



(56)

References Cited

U.S. PATENT DOCUMENTS

2,108,939 A 2/1938 Lewis  
 D161,199 S 12/1950 Perelman  
 D182,161 S 2/1958 Bulman  
 4,368,771 A 1/1983 Hopper  
 4,771,966 A 9/1988 Anderson  
 D322,211 S 12/1991 Gary  
 D327,192 S 6/1992 Geuvjehizian  
 D336,580 S 6/1993 White et al.  
 D355,094 S 2/1995 Josephson  
 5,651,487 A 7/1997 Hansen  
 D422,886 S 4/2000 Shea  
 7,207,371 B2 4/2007 Hsu  
 D547,985 S 8/2007 Kubota  
 7,267,311 B2 9/2007 Jung  
 D622,993 S 9/2010 Park et al.  
 7,849,907 B2 12/2010 Jang  
 D632,118 S 2/2011 Clarke  
 7,931,069 B2 4/2011 Cannaverde et al.  
 D669,771 S 10/2012 Geiger  
 8,307,879 B2 11/2012 Lin  
 D694,039 S 11/2013 Licciardi Di Stefano  
 D695,042 S 12/2013 Licciardi Di Stefano  
 D705,040 S 5/2014 Konrad et al.  
 D712,727 S 9/2014 Geiger  
 8,967,568 B2 3/2015 Wills et al.  
 D731,876 S 6/2015 Di Stefano  
 9,045,939 B2 6/2015 Blair et al.  
 D733,536 S 7/2015 Di Stefano  
 D733,537 S 7/2015 Di Stefano  
 D740,108 S 10/2015 Di Stefano  
 D741,697 S 10/2015 McGrath  
 D745,362 S \* 12/2015 Grasselli ..... E06B 9/42  
 D8/315  
 9,237,821 B2 1/2016 Geiger  
 D758,827 S 6/2016 Grasselli et al.  
 9,587,429 B2 3/2017 Cheng  
 D791,581 S 7/2017 Lin  
 D798,133 S 9/2017 Ng  
 9,840,870 B2 12/2017 Lu et al.  
 D817,660 S 5/2018 Raiti  
 9,988,839 B2 6/2018 Geiger  
 D822,473 S 7/2018 Ng  
 10,309,461 B2 6/2019 Ng  
 D871,105 S 12/2019 Pejic et al.  
 D871,795 S 1/2020 Pejic  
 D874,183 S 2/2020 Pejic  
 D877,536 S 3/2020 Jones  
 10,590,699 B2 3/2020 Chen  
 D883,776 S 5/2020 Pejic  
 D907,841 S \* 1/2021 Dobin ..... D26/138  
 D909,787 S \* 2/2021 Pejic ..... D6/580  
 D909,788 S \* 2/2021 Pejic ..... D6/580  
 D911,743 S \* 3/2021 Pejic ..... D6/580  
 D916,583 S \* 4/2021 Pejic ..... D8/381  
 2006/0118248 A1 6/2006 Anderson et al.  
 2007/0175004 A1 8/2007 Chien  
 2008/0053625 A1 3/2008 Anthony  
 2009/0250177 A1 10/2009 Byeon  
 2009/0283226 A1 11/2009 Cheng  
 2010/0101740 A1 \* 4/2010 Licciardi Di Stefano .....  
 E06B 9/60  
 160/309  
 2010/0269983 A1 10/2010 Kirby  
 2011/0067820 A1 3/2011 Hsu et al.  
 2011/0139382 A1 6/2011 Daniels  
 2011/0186240 A1 8/2011 Lin  
 2011/0186246 A1 8/2011 Lin  
 2011/0259533 A1 10/2011 Lin  
 2012/0043027 A1 2/2012 Chen  
 2012/0043029 A1 2/2012 Gaskill et al.  
 2012/0255686 A1 10/2012 Huang  
 2013/0037646 A1 2/2013 Ohl et al.  
 2013/0255894 A1 10/2013 Kim  
 2014/0047680 A1 \* 2/2014 Ng ..... E06B 9/42  
 24/457

2014/0069595 A1 3/2014 Chen  
 2014/0182793 A1 7/2014 Byun  
 2014/0231032 A1 8/2014 Blair  
 2014/0251558 A1 9/2014 Chou  
 2014/0262068 A1 9/2014 Buccola, Jr. et al.  
 2014/0359976 A1 \* 12/2014 Lu ..... E06B 9/42  
 24/116 A  
 2014/0374036 A1 12/2014 Chen  
 2015/0184454 A1 7/2015 Strand  
 2016/0083999 A1 3/2016 Chen et al.  
 2016/0130863 A1 5/2016 Cheng  
 2016/0130869 A1 5/2016 Cheng  
 2016/0348428 A1 12/2016 Cheng  
 2017/0096855 A1 4/2017 Chen  
 2017/0183908 A1 6/2017 Lu et al.  
 2017/0284153 A1 10/2017 Reiner et al.  
 2018/0023340 A1 1/2018 Goldberg et al.  
 2018/0112462 A1 4/2018 Chen et al.  
 2018/0179812 A1 6/2018 Dubina et al.  
 2018/0313146 A1 \* 11/2018 Blair ..... A47H 23/01  
 2018/0320439 A1 \* 11/2018 McCreadie ..... E06B 9/68  
 2019/0017321 A1 1/2019 Chen  
 2019/0100960 A1 4/2019 Chen  
 2019/0345761 A1 11/2019 Hsu et al.  
 2019/0345762 A1 11/2019 Cheng  
 2019/0383094 A1 12/2019 Kwon  
 2020/0071994 A1 3/2020 Lin  
 2020/0080372 A1 3/2020 Hsu et al.  
 2021/0131180 A1 \* 5/2021 Jones ..... E06B 9/70

FOREIGN PATENT DOCUMENTS

DE 20 2012 007 904 U1 1/2014  
 EP 2 354 430 A2 8/2011

OTHER PUBLICATIONS

Lovable Products From Coolaroo for Shade Sails or Exterior Blinds or Umbrellas or Pet Beds Ideas, posted Jul. 27, 2017, [retrieved Mar. 27, 2018]. Retrieved from Internet, <URL: <http://www.marccharlessteakhouse.com/lovable-products-from-coolaroo-for-shade-sails-or-exterior-blinds-or-umbrellas-or-pet-beds-ideas/coolaroo-material-coolaroo-sun-shades-coolaroo/>>.  
 How to Remove Coolaroo Exterior Sun Shades, posted Aug. 30, 2013, [retrieved Mar. 27, 2018]. Retrieved from Internet, <URL: <https://www.youtube.com/watch?v=8GFJ2UY3fVI>>.  
 Roller Shade & Blackouts Installation, posted unknown, [retrieved Mar. 27, 2018]. Retrieved from Internet, <URL: <http://www.theshadedesigners.com/how-to-install/installation-rollershades-blackouts/>>.  
 Coolaroo, Exterior Roller Sun Shade Installation Instructions, Apr. 2012, 12 pages.  
 Coolaroo, Cordless Sun Shade Installation Instructions, Jun. 2013, 12 pages.  
 Somfy Systems, Inc., Motor Catalog, Dec. 2003 (78 pages).  
 The Shade Store Blog, “Go for the Gold, Silver, or Bronze Window Treatment Hardware”, posted Aug. 1, 2012 [retrieved Aug. 21, 2019]. Retrieved from Internet, <URL: <https://www.theshadestore.com/blog/go-for-the-gold-silver-or-bronze-window-treatment-hardware/>>.  
 The Shade Store Blog, “How to Hang Roller Shades: Regular or Reverse Roll”, posted Sep. 19, 2016 [retrieved Aug. 21, 2019]. Retrieved from Internet, <URL <https://www.theshadestore.com/blog/how-to-hang-roller-shades/>>.  
*Geigtech East Bay LLC v. Lutron Electronics Co., Inc.*, U.S. District Court for the Southern District of New York, Complaint (including Exhibits A & B), Case No. 1:18-c-05290-CM, filed Jun. 12, 2018, 97 pages.  
 Spectrum White Plastic Wall Mount Folding Paper Towel Holder, Amazon.com. Oct. 2, 2001. Accessed on Jun. 16, 2019. (Year: 2001). Retrieved from Internet, <URL: <https://www.amazon.com/Spectrum-White-Plastic-Folding-Holder/dp/B001DXG21E>>.

(56)

**References Cited**

OTHER PUBLICATIONS

Aura Shading by Tillys Interiors Ltd. Accessed on Jun. 16, 2019. (Year: 2019). Retrieved from Internet, <URL: <https://www.aurashading.com/finesse-roller-blinds/>>.

Ambio Roller Shades by Altex Window Fashions. Accessed on Jun. 14, 2019. (Year: 2019). Retrieved from Internet, <URL: <http://altexdepot.com/products/ambio-roller-shades/>>.

U.S. Appl. No. 29/602,208, filed Apr. 28, 2017 (unpublished).

U.S. Appl. No. 29/746,561, filed Aug. 14, 2020 (unpublished).

U.S. Appl. No. 29/749,421, filed Sep. 4, 2020 (unpublished).

\* cited by examiner



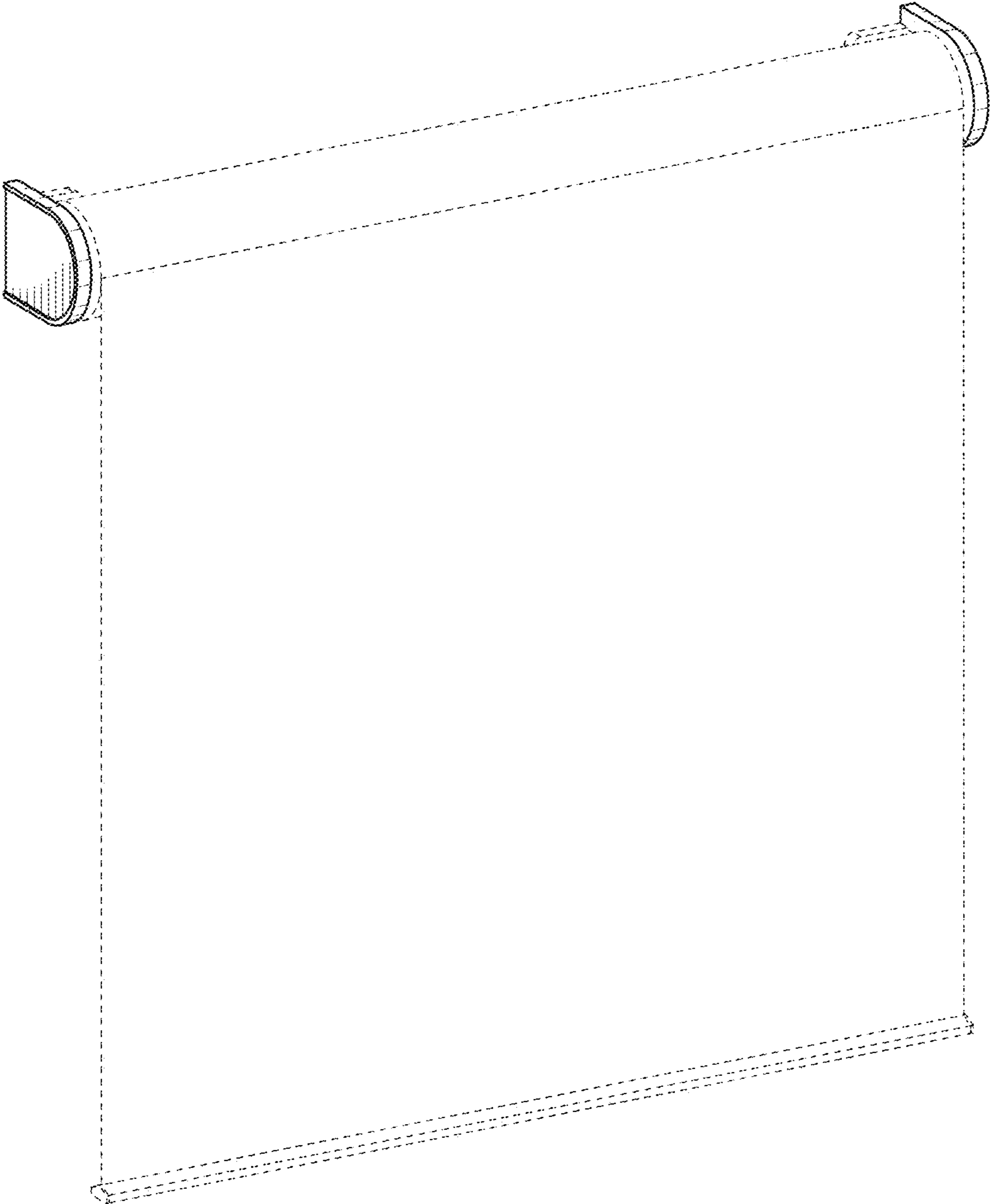


FIG. 1

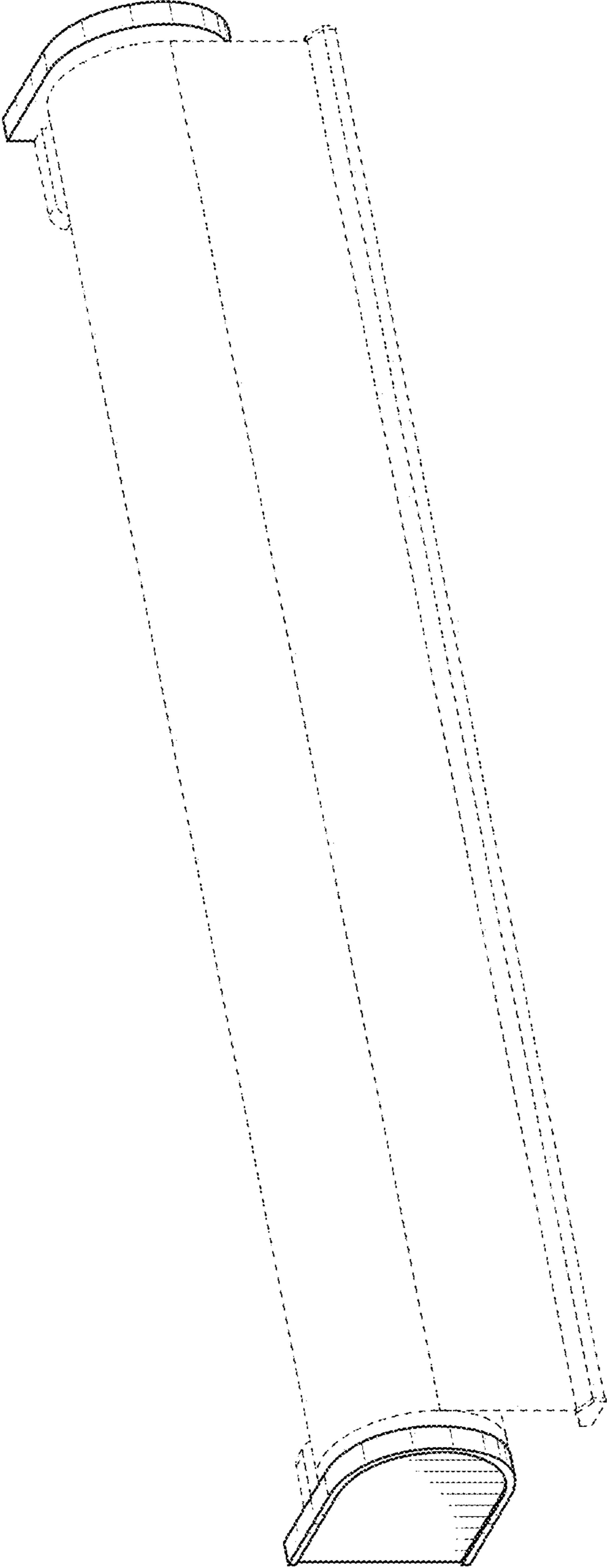


FIG. 2

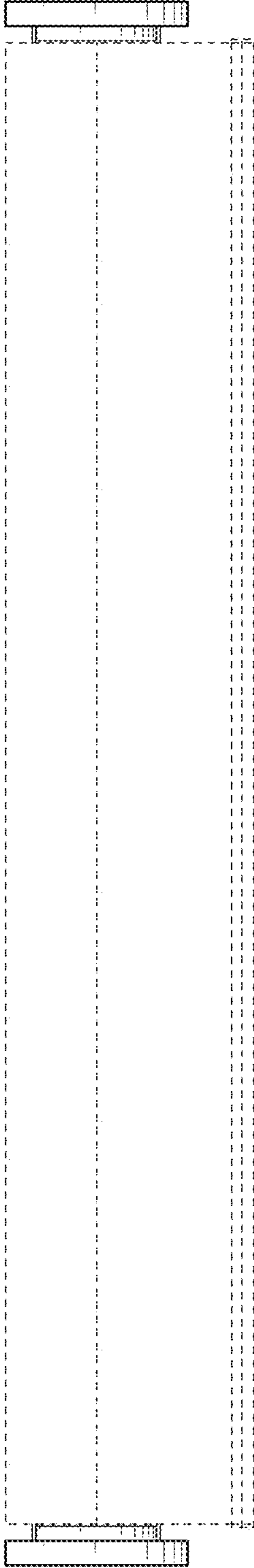


FIG. 3

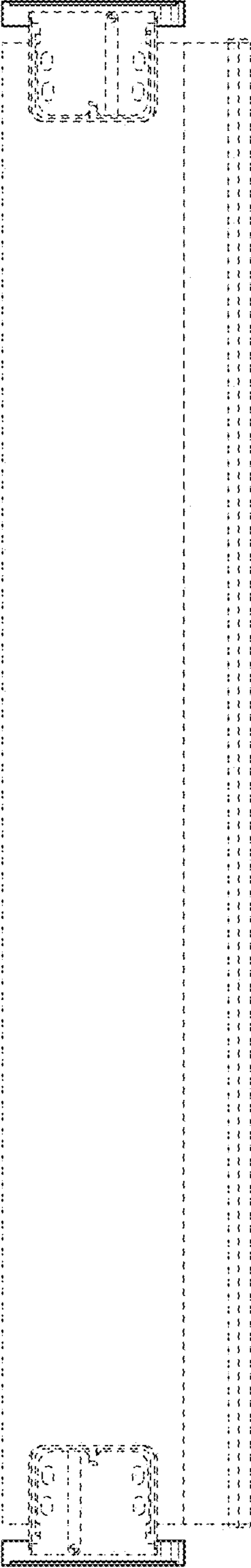


FIG. 4

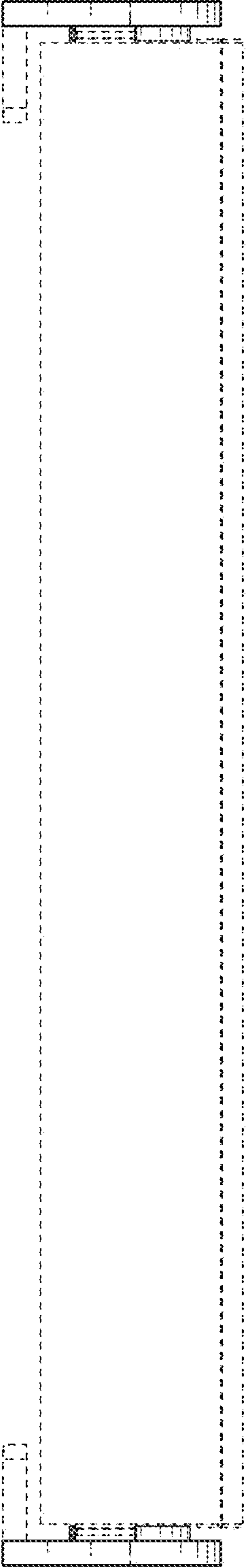


FIG. 5

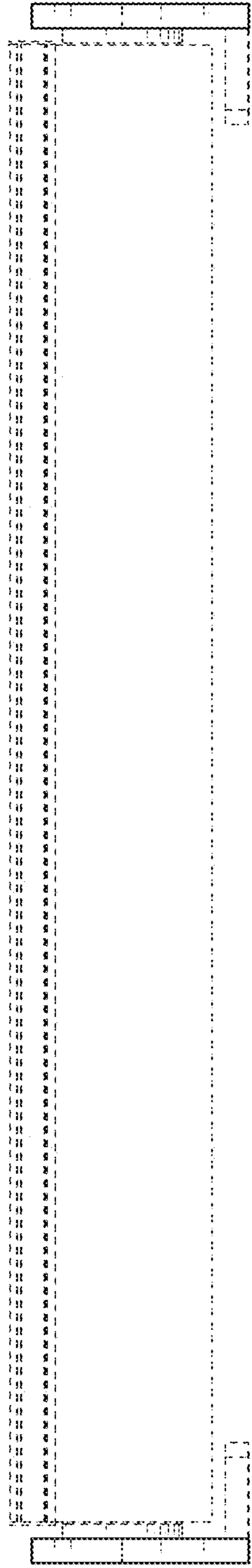


FIG. 6

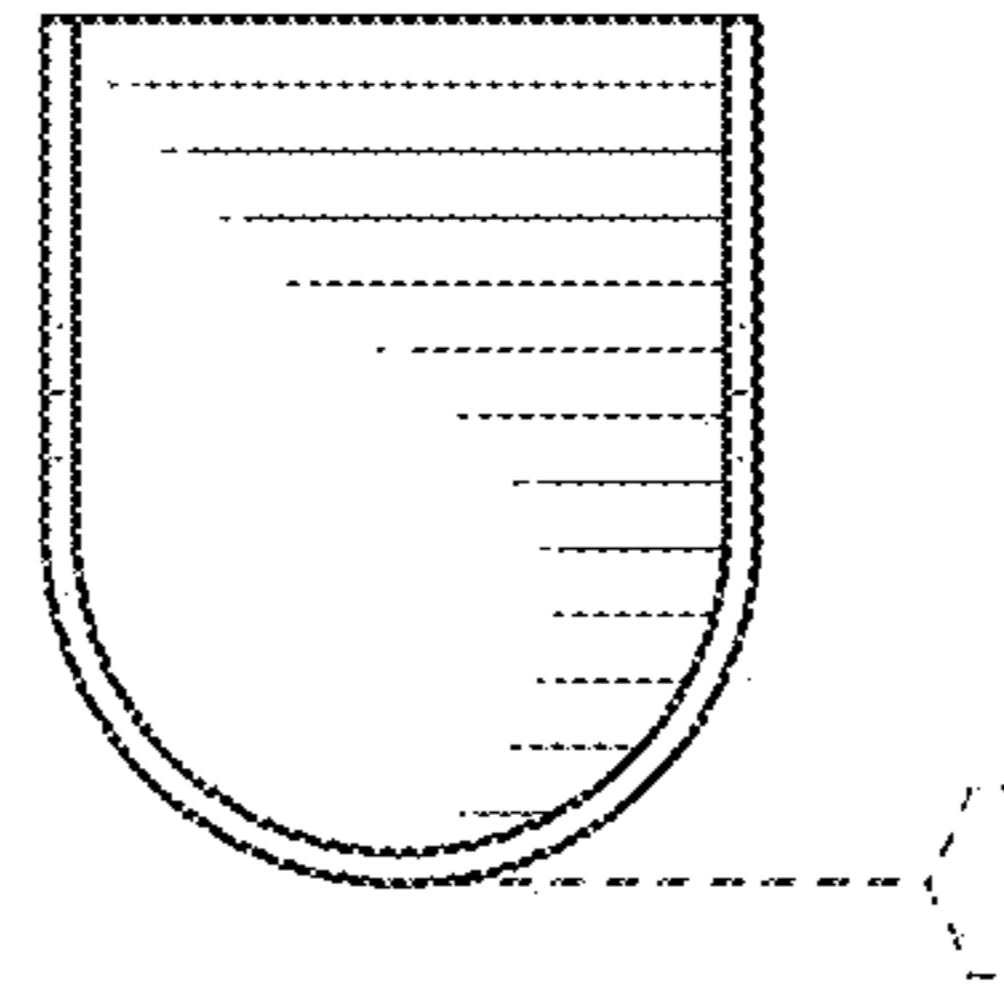


FIG. 8

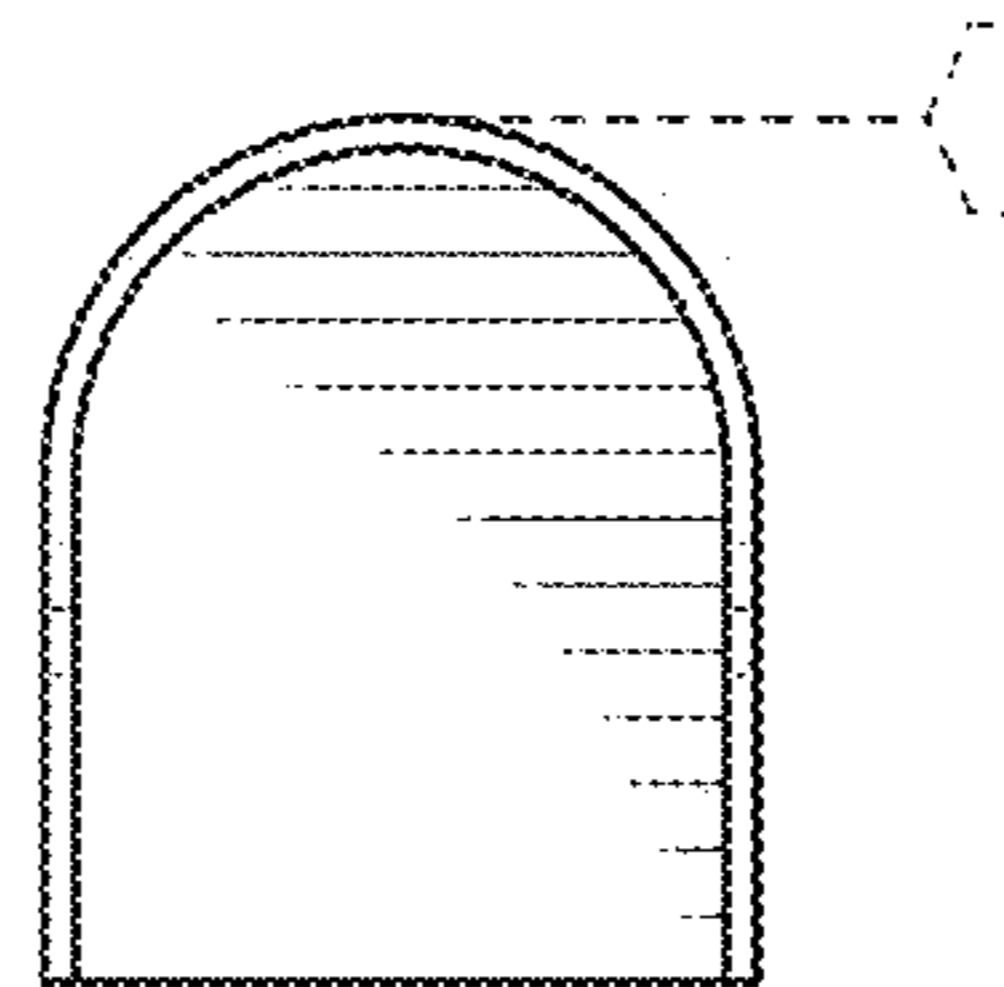


FIG. 7

UNITED STATES PATENT AND TRADEMARK OFFICE  
**CERTIFICATE OF CORRECTION**

PATENT NO. : D941,053 S  
APPLICATION NO. : 29/770829  
DATED : January 18, 2022  
INVENTOR(S) : Vladislav Pejic

Page 1 of 1

It is certified that error appears in the above-identified patent and that said Letters Patent is hereby corrected as shown below:

On the Title Page

Page 2 Column 2 Line 28-31 item [56]:

Geigtech East Bay LLC v. Lutron Electronics Co., Inc., U.S. District Court for the Southern District of New York, Complaint (including Exhibits A & B), Case No. 1:18-c-05290-CM, filed June 12, 2018, 97 pages.

Should read:

Geigtech East Bay LLC v. Lutron Electronics Co., Inc., U.S. District Court for the Southern District of New York, Complaint (including Exhibits A & B), Case No. 1:18-cv-05290-CM, filed June 12, 2018, 97 pages.

Signed and Sealed this  
Twenty-sixth Day of April, 2022  
*Katherine Kelly Vidal*

Katherine Kelly Vidal  
*Director of the United States Patent and Trademark Office*