



US00D941052S

(12) **United States Design Patent** (10) **Patent No.:** **US D941,052 S**
Li (45) **Date of Patent:** **** Jan. 18, 2022**

(54) **ROLLER BLIND**

(71) Applicant: **Hangzhou Jinggi Industrial Co., Ltd.,**
Zhejiang (CN)

(72) Inventor: **Qi Li,** Zhejiang (CN)

(**) Term: **15 Years**

(21) Appl. No.: **29/746,802**

(22) Filed: **Aug. 18, 2020**

(51) **LOC (13) Cl.** **06-10**

(52) **U.S. Cl.**
USPC **D6/575**

(58) **Field of Classification Search**
USPC D5/31, 41, 99; D6/575-581; D13/155;
D26/138
CPC E06B 2009/425; E06B 2009/445; E06B
2009/583; E06B 2009/785; E06B 9/32;
E06B 9/323; E06B 9/326; E06B 9/388;
E06B 9/40; E06B 9/42; E06B 9/46; E06B
9/448; A47K 3/38; A47H 1/04; A47H
11/00; A47H 11/04; A47H 23/00; A47H
23/01; A47H 23/10; A47H 5/032
See application file for complete search history.

(56) **References Cited**

U.S. PATENT DOCUMENTS

- 86,634 A * 2/1869 Betts E06B 9/326
474/138
- 1,728,074 A * 9/1929 Nicholas A47H 5/032
160/84.06
- 1,764,891 A * 6/1930 Sarkisian A47H 5/032
16/87.6 R

(Continued)

Primary Examiner — Kevin K Rudzinski

Assistant Examiner — Clare Ann Gannon

(74) *Attorney, Agent, or Firm* — Prakash Nama; Global
IP Services, PLLC

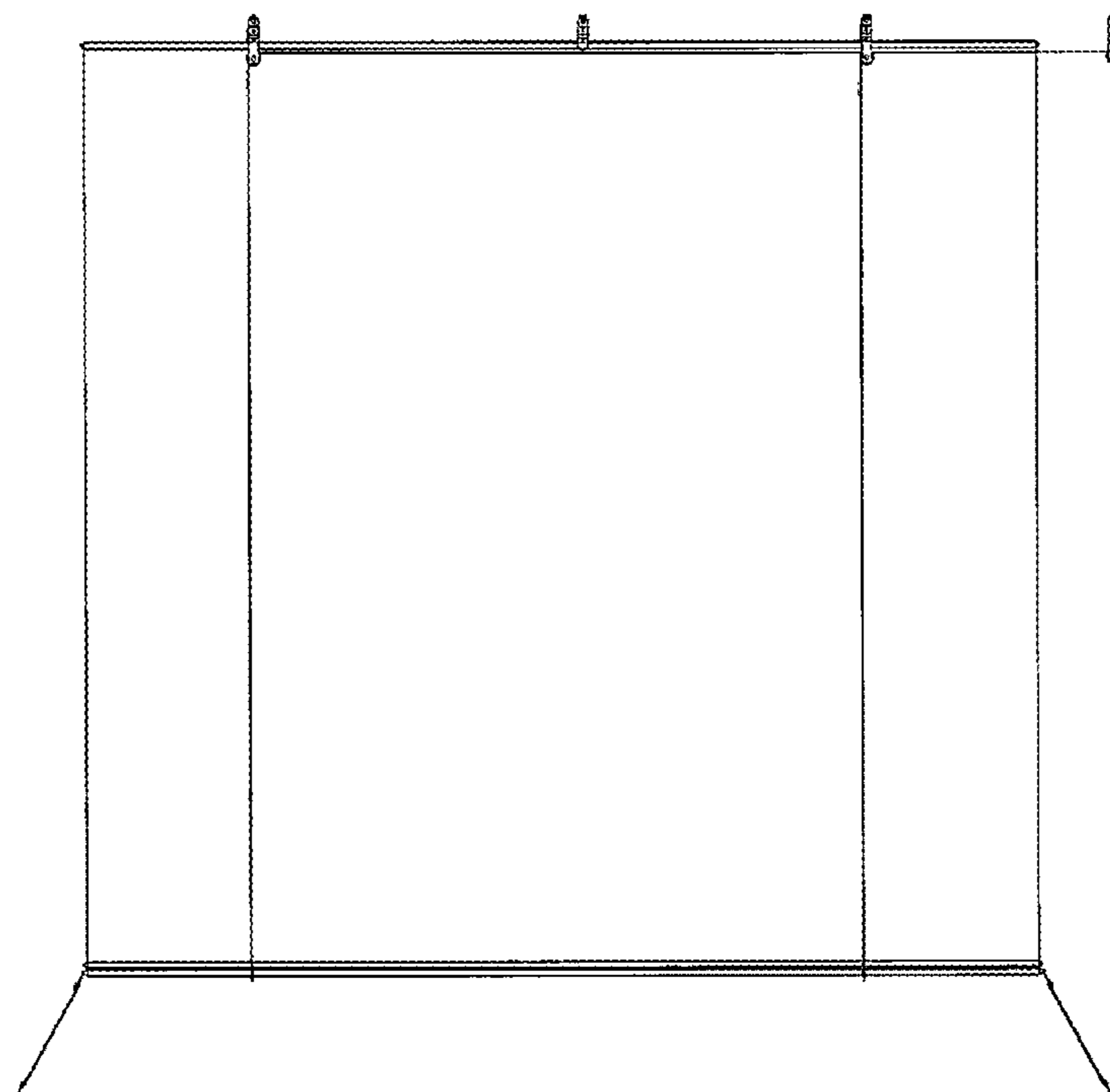
(57) **CLAIM**

The ornamental design for a roller blind, as shown and
described.

DESCRIPTION

FIG. 1 is a front elevational view of a roller blind showing
my new design;
FIG. 2 is a rear elevational view thereof;
FIG. 3 is a left side view thereof;
FIG. 4 is a right side view thereof;
FIG. 5 is a top plan view thereof;
FIG. 6 is a bottom plan view thereof;
FIG. 7 is a perspective view thereof;
FIG. 8 is a second perspective view thereof;
FIG. 9 is a third perspective view thereof;
FIG. 10 is a fourth perspective view thereof;
FIG. 11 is an enlarged view of portion 11 shown in FIG. 9;
FIG. 12 is an enlarged view of portion 12 shown in FIG. 9;
FIG. 13 is an enlarged view of portion 13 shown in FIG. 9;
FIG. 14 is an enlarged view of portion 14 shown in FIG. 9;
FIG. 15 is an enlarged view of portion 15 shown in FIG. 9;
FIG. 16 is an enlarged view of portion 16 shown in FIG. 9;
FIG. 17 is an enlarged view of portion 17 shown in FIG. 10;
FIG. 18 is an enlarged view of portion 18 shown in FIG. 10;
FIG. 19 is an enlarged view of portion 19 shown in FIG. 10;
and,
FIG. 20 is an enlarged view of portion 20 shown in FIG. 10.
The dash-dot broken lines illustrated boundaries of the
enlarged portions and do not form part of the claimed design.

1 Claim, 19 Drawing Sheets



(56)

References Cited

U.S. PATENT DOCUMENTS

4,091,857 A * 5/1978 Jacobs A47H 1/18
160/330
4,635,698 A * 1/1987 Anderson E06B 9/326
160/178.2
4,877,075 A * 10/1989 Markowitz E06B 9/262
160/84.01
D407,967 S * 4/1999 Krohne E06B 9/262
D8/373
D509,090 S * 9/2005 Smith A47H 5/032
D6/575
9,637,973 B1 * 5/2017 Berman E06B 9/327
2004/0144504 A1 * 7/2004 Cheng A47H 23/10
160/330
2005/0115686 A1 * 6/2005 Yedidya E06B 9/0676
160/202
2007/0284054 A1 * 12/2007 Fang A47H 23/08
160/84.04
2014/0076504 A1 * 3/2014 Anthony E06B 9/262
160/84.04
2014/0138036 A1 * 5/2014 de Vries E06B 9/32
160/176.1 R

* cited by examiner

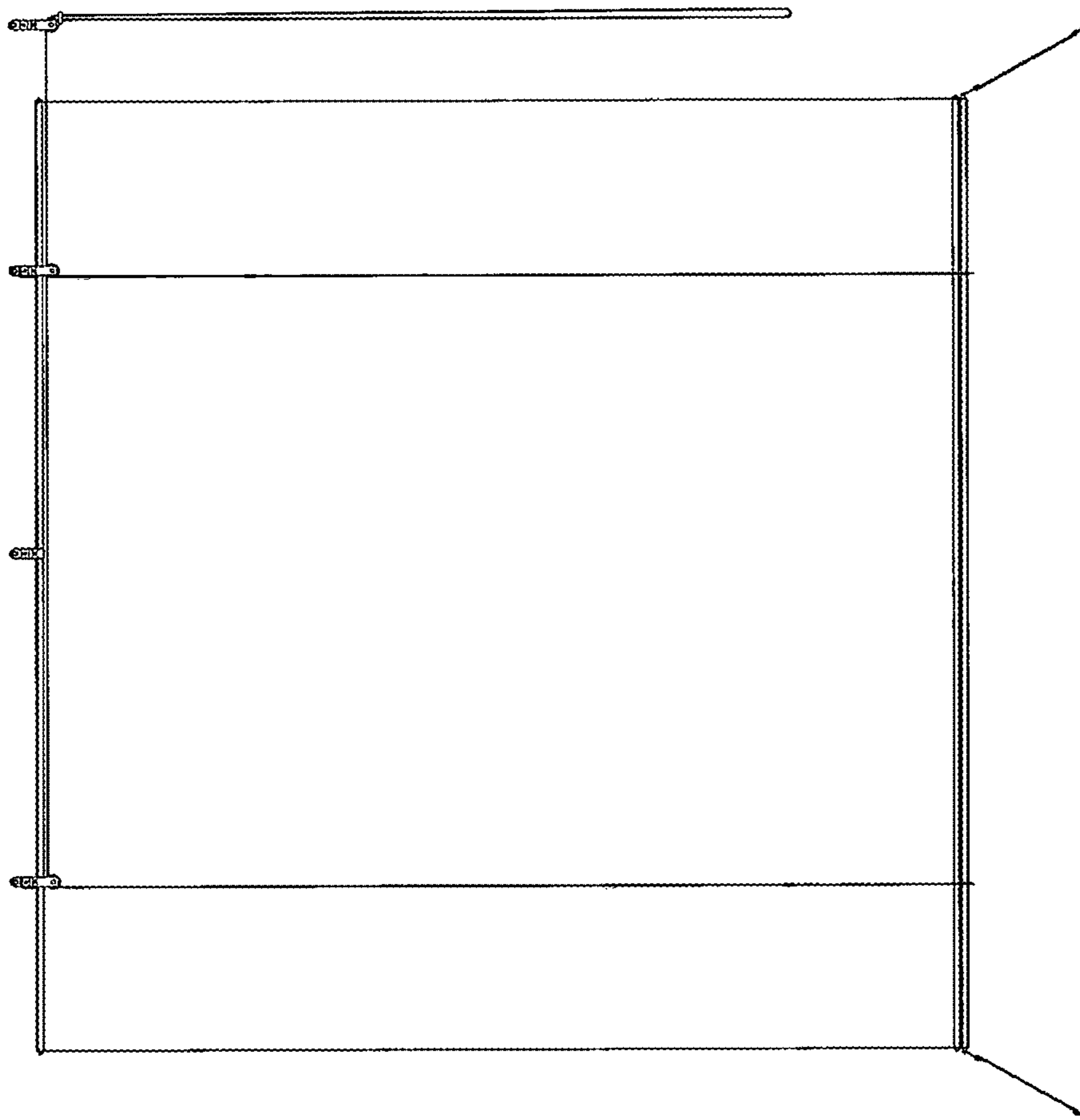


FIG. 1

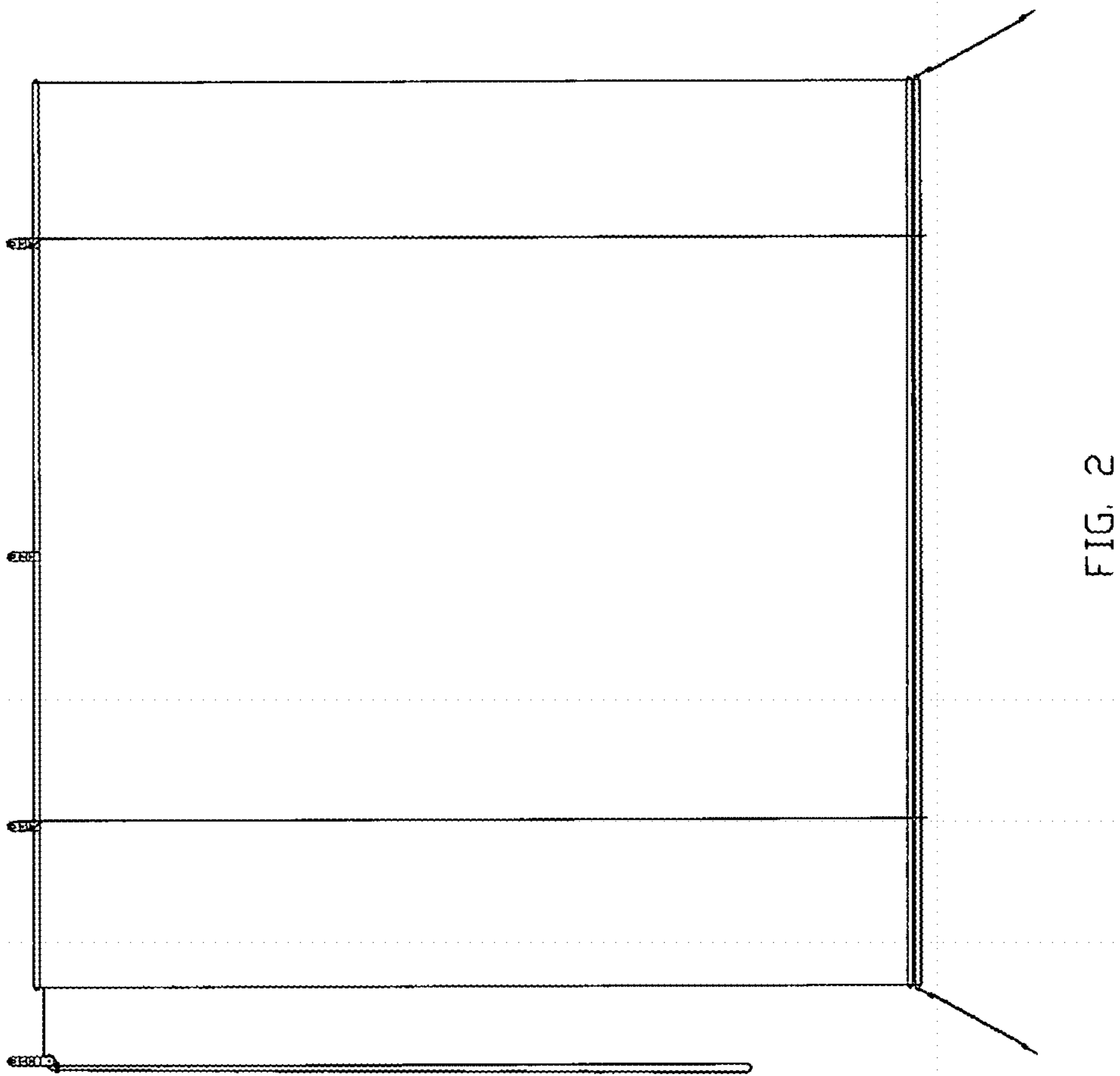


FIG. 2

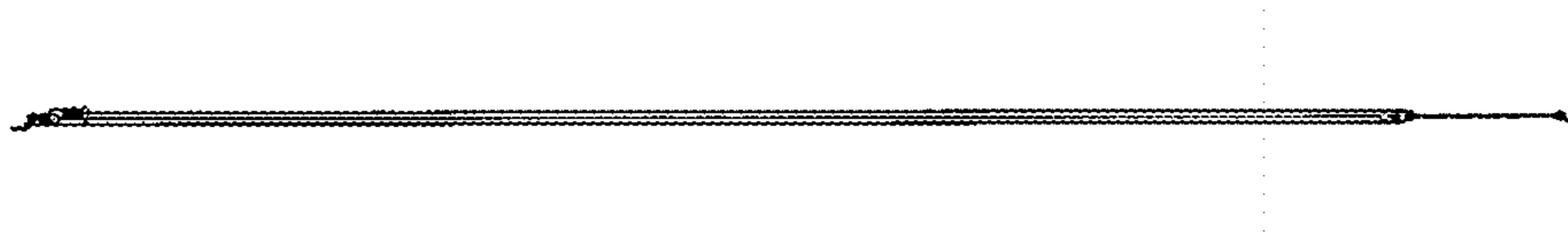


FIG. 3

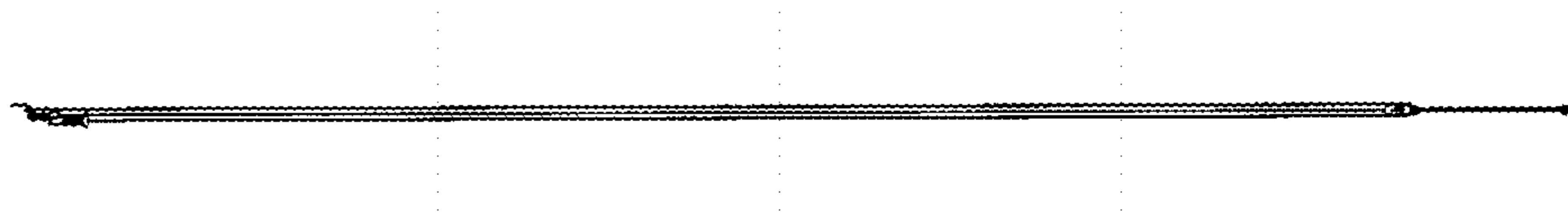


FIG. 4



FIG. 5



FIG. 6

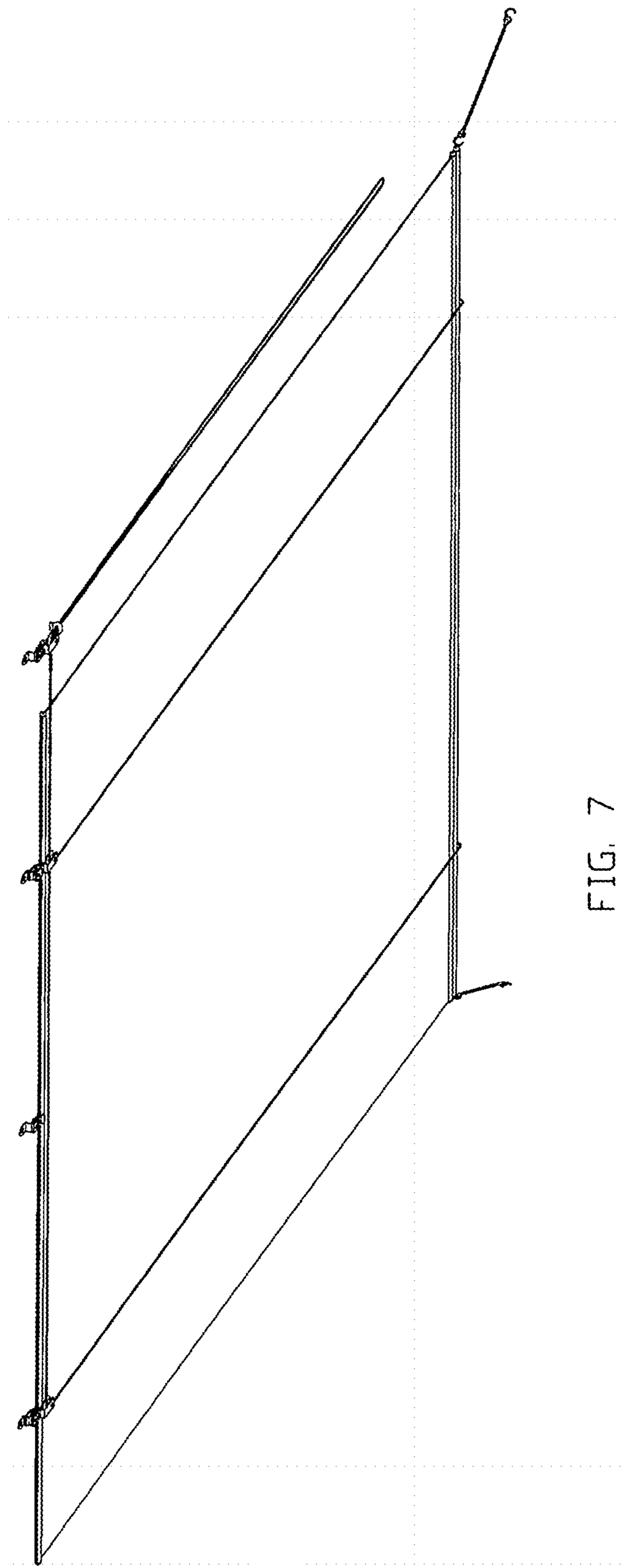


FIG. 7

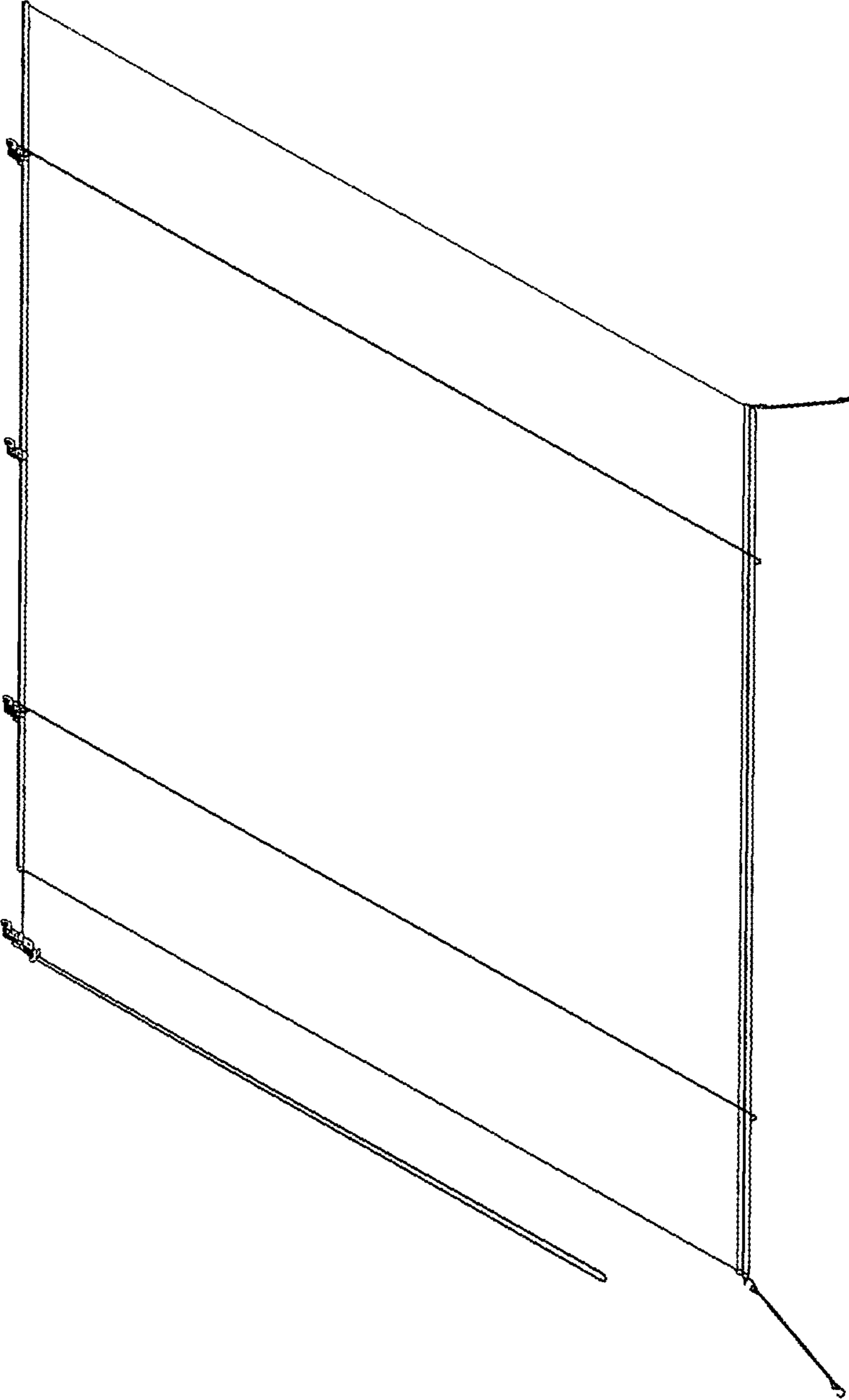


FIG. 8

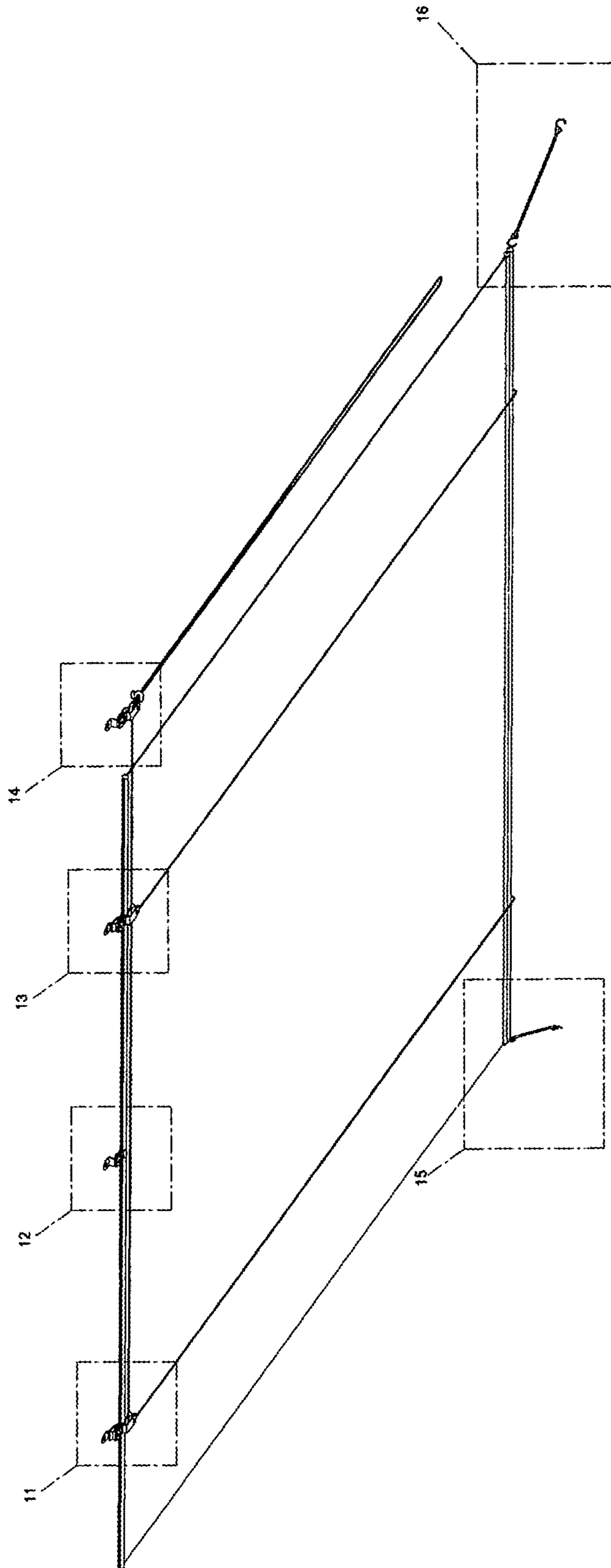


FIG. 9

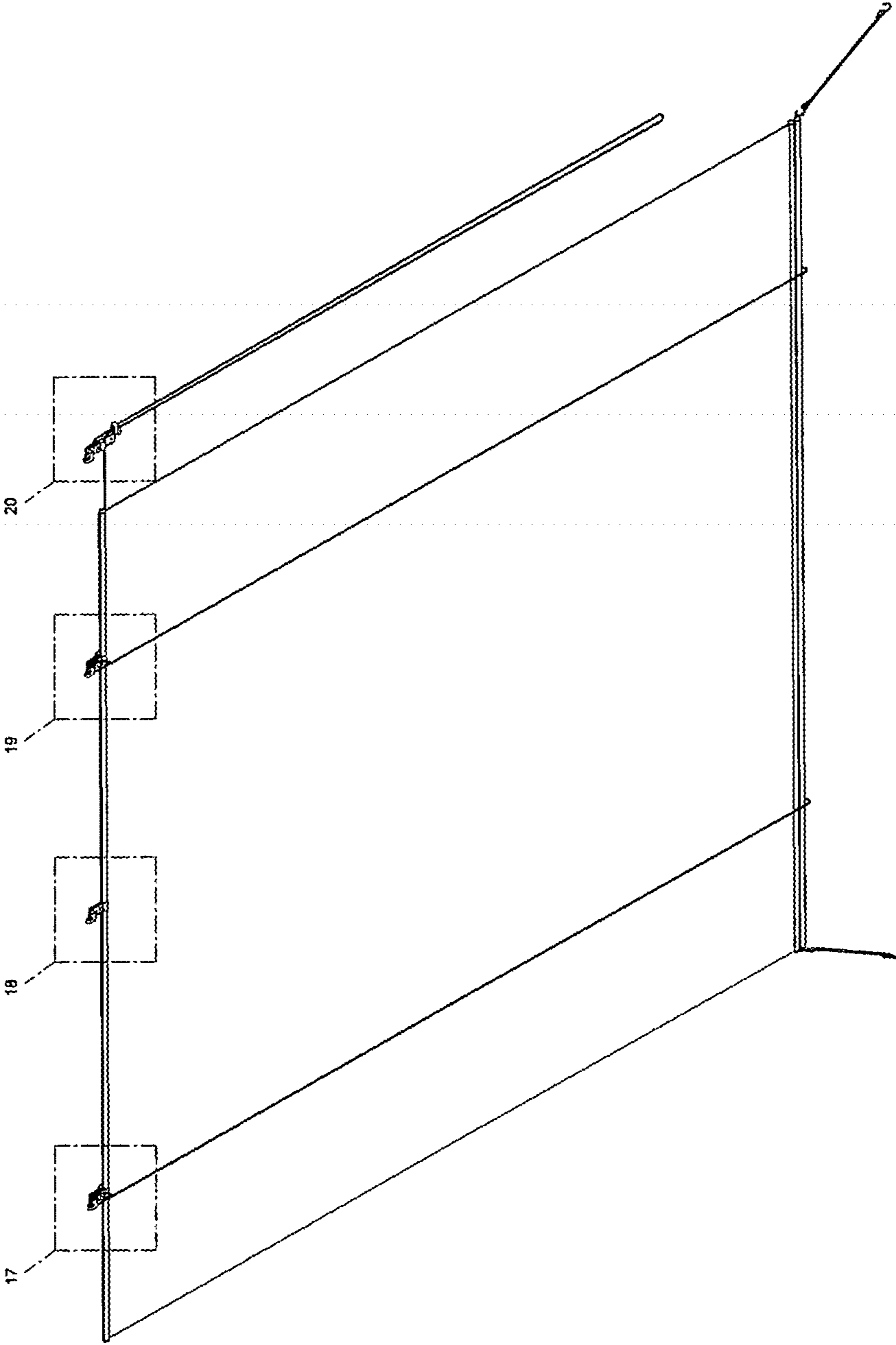


FIG. 10

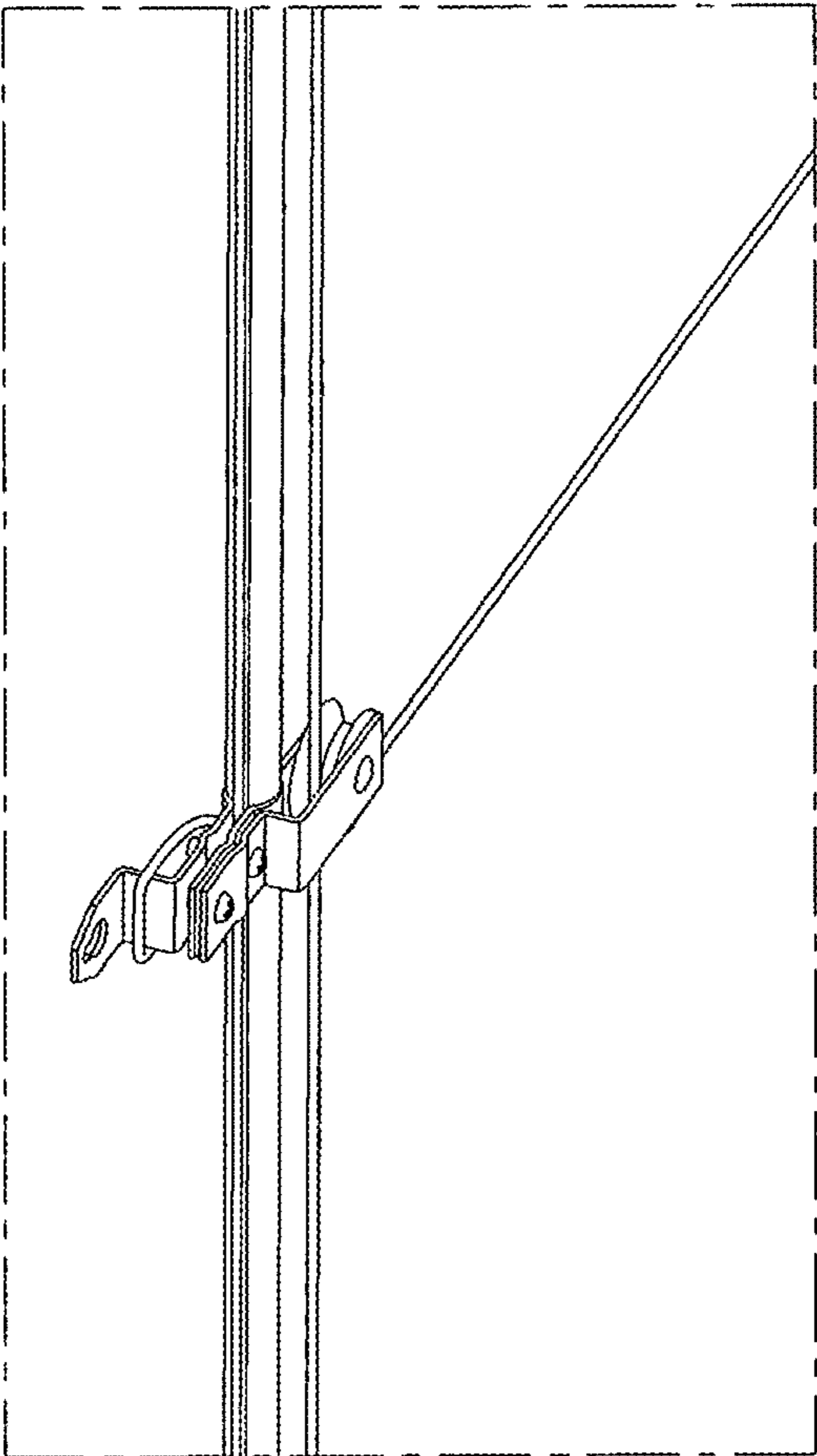


FIG. 11

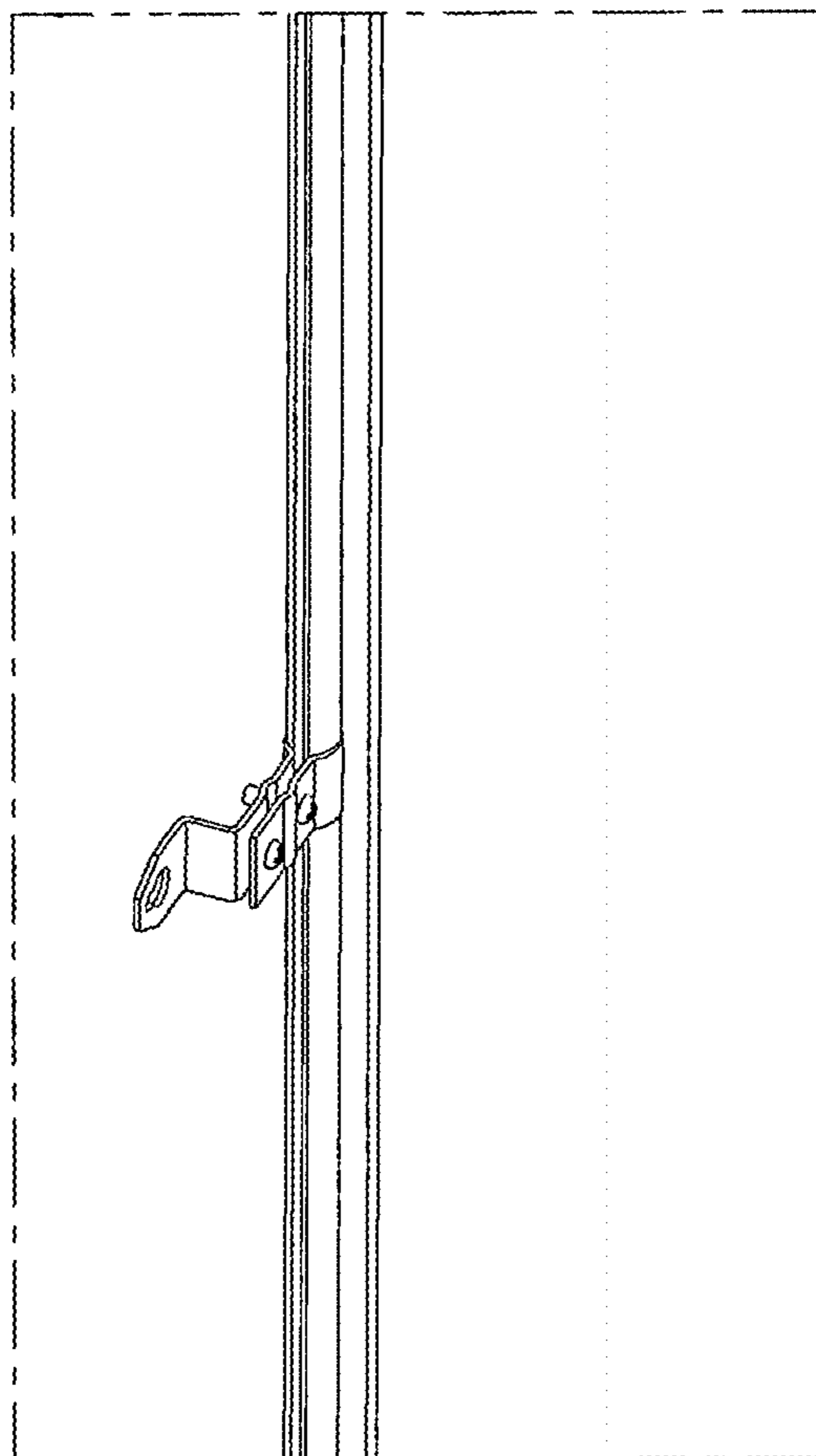


FIG. 12

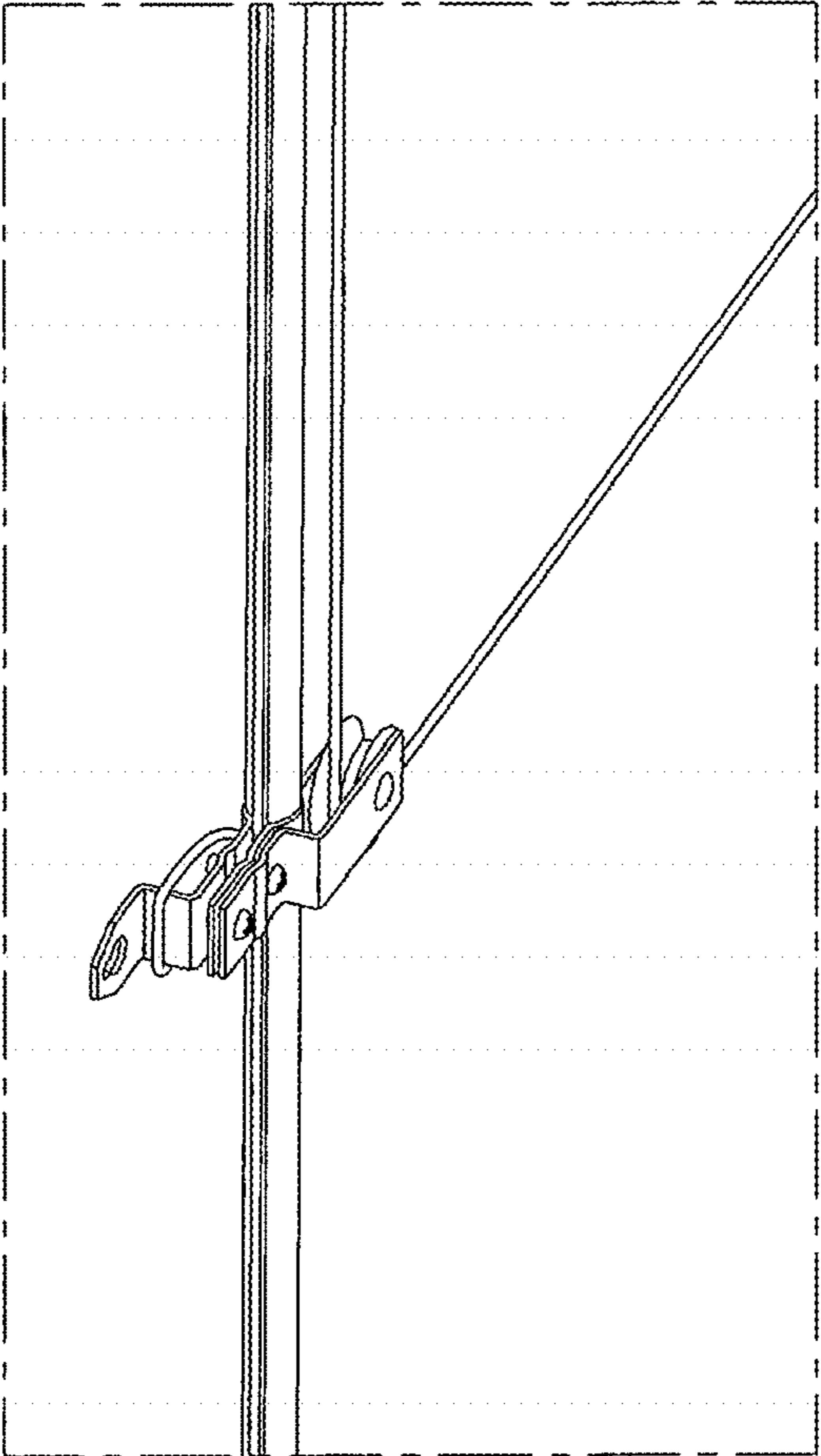


FIG. 13

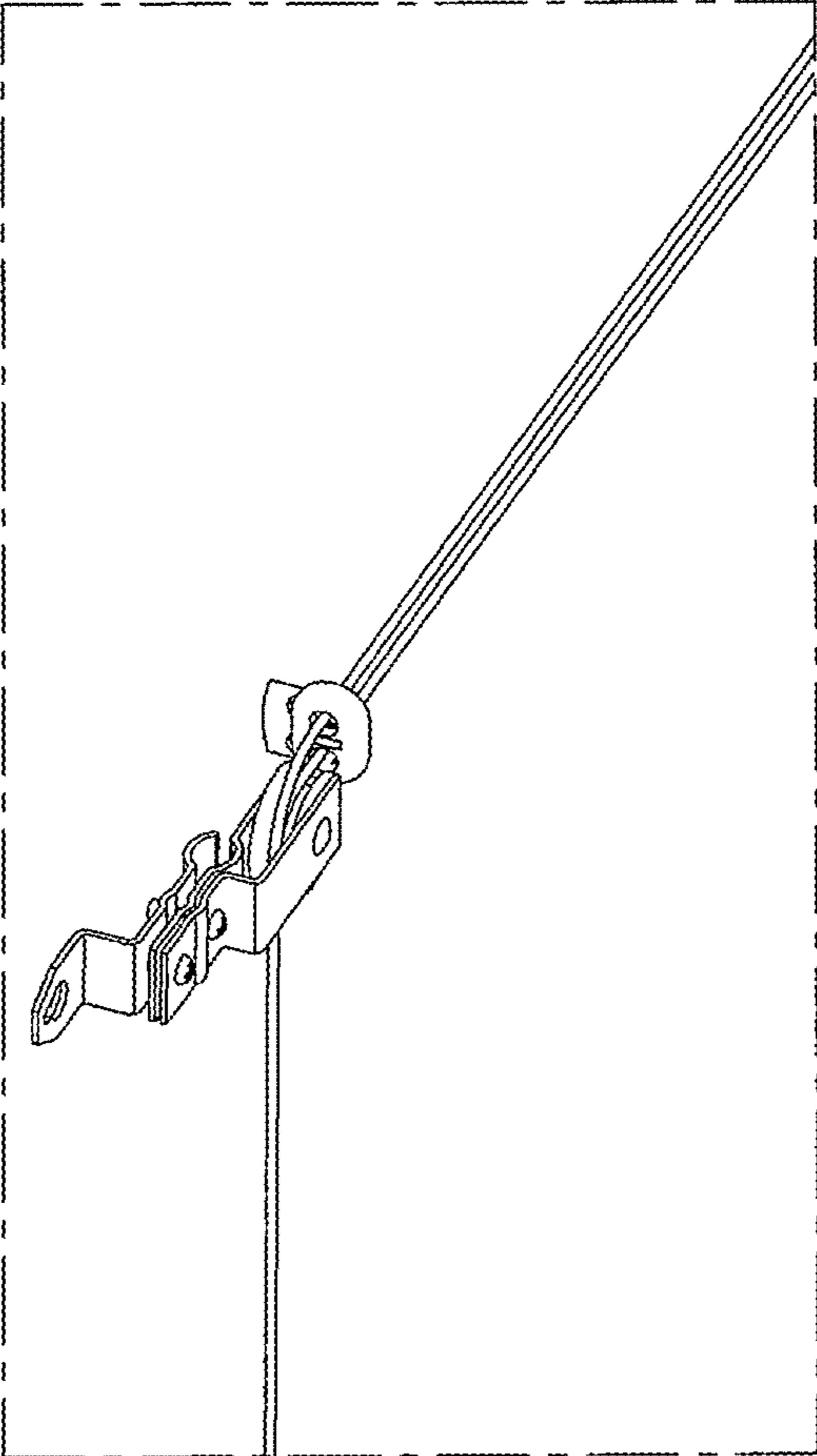


FIG. 14

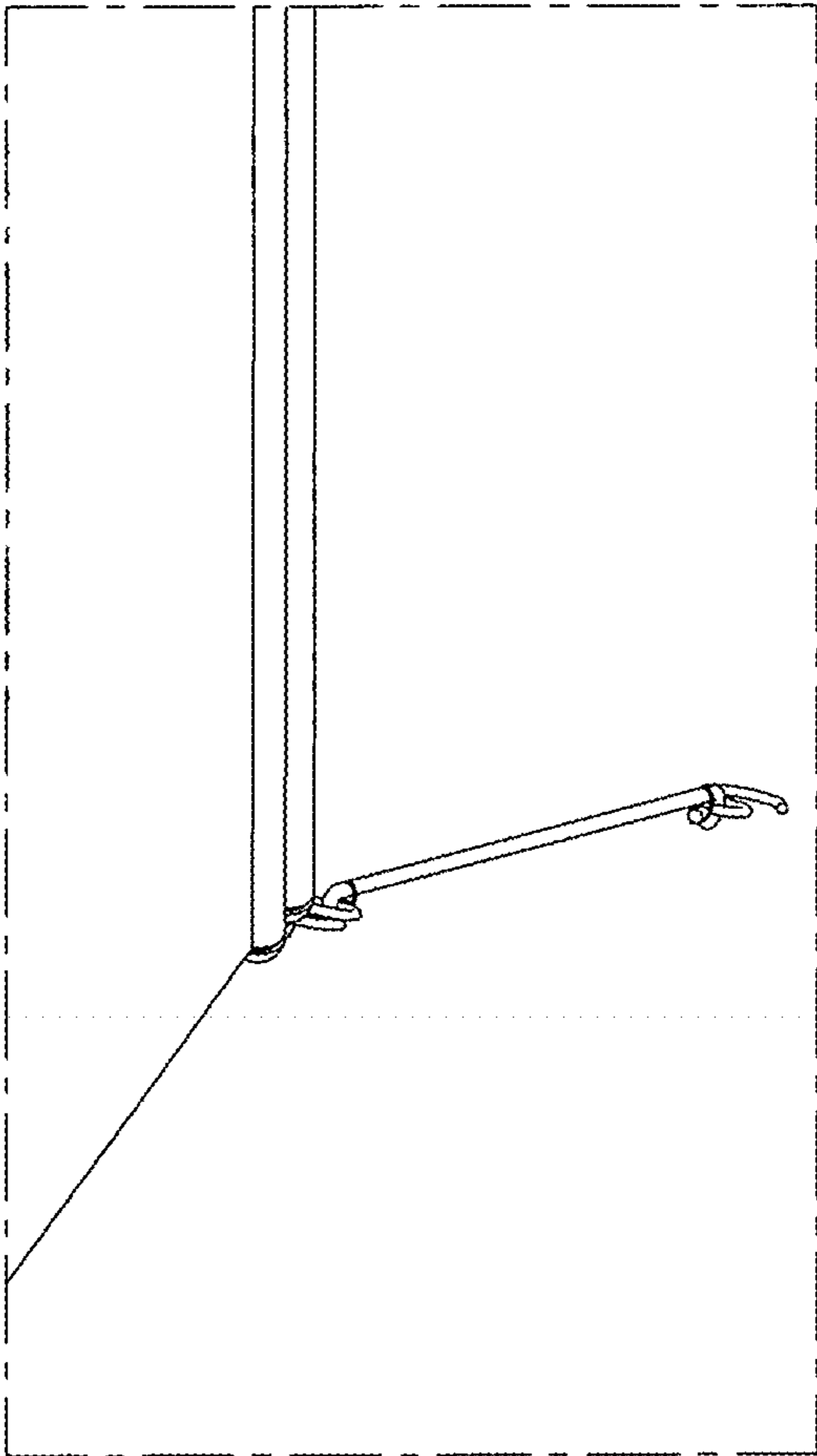


FIG. 15

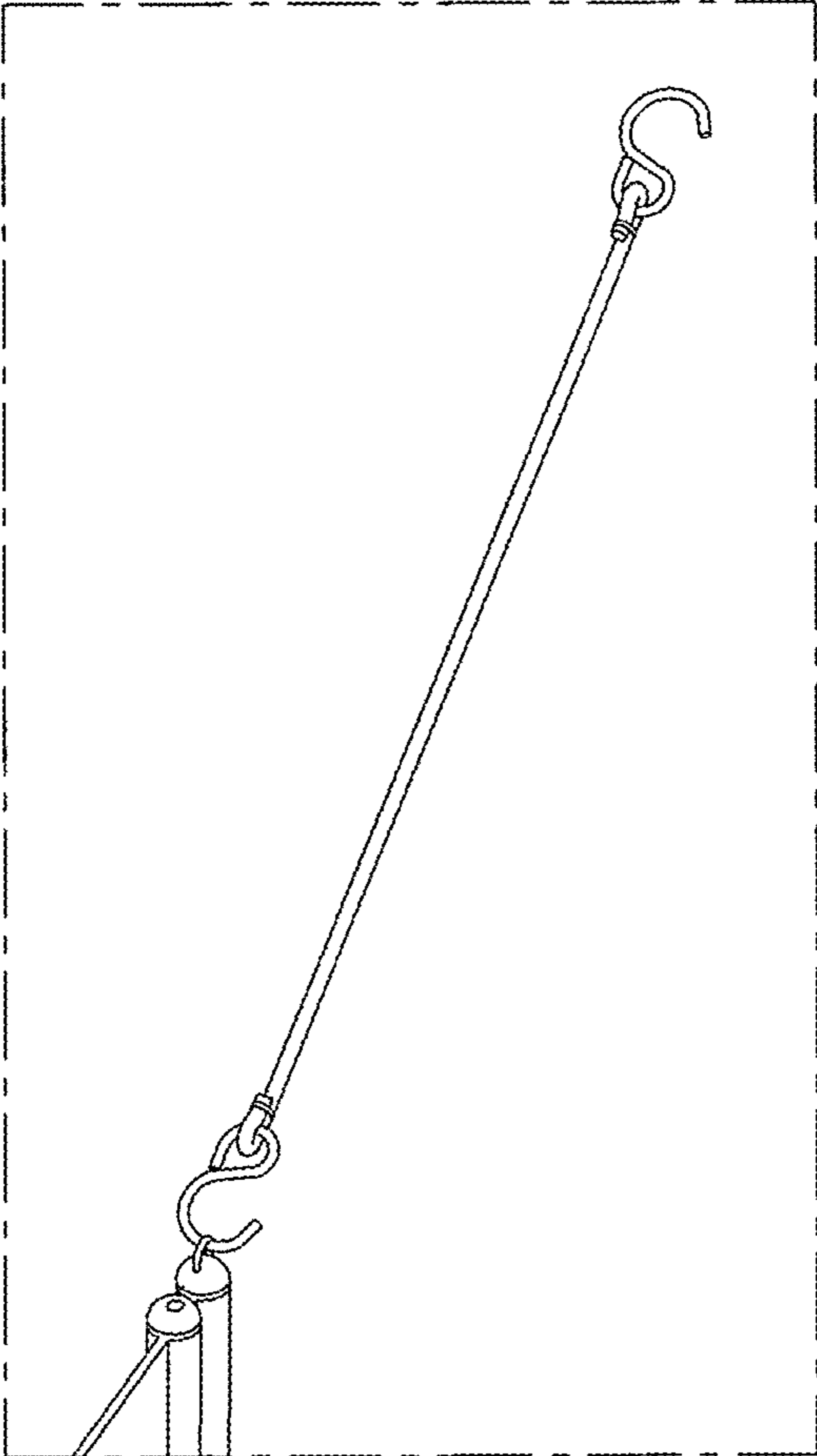


FIG. 16

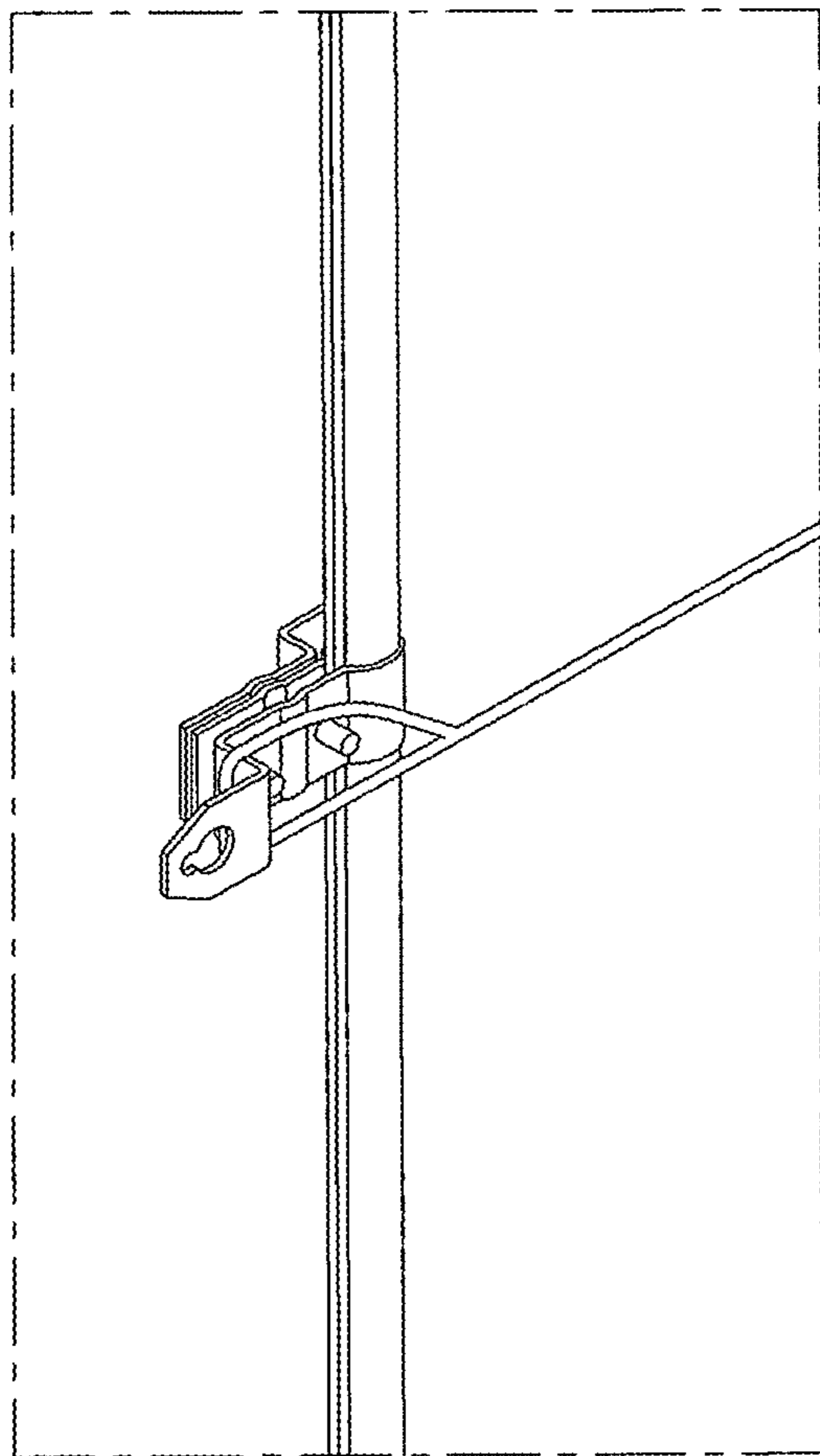


FIG. 17

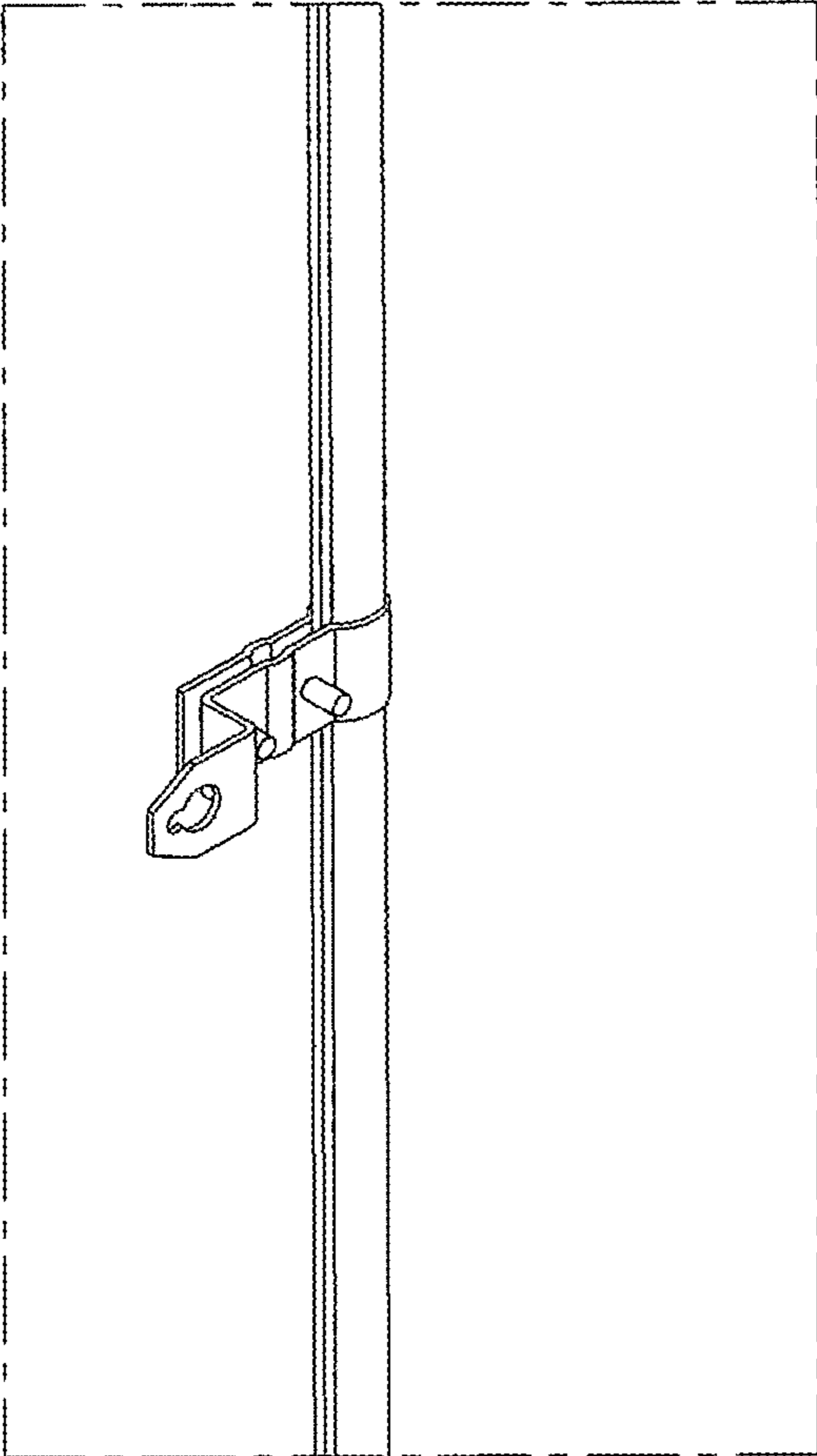
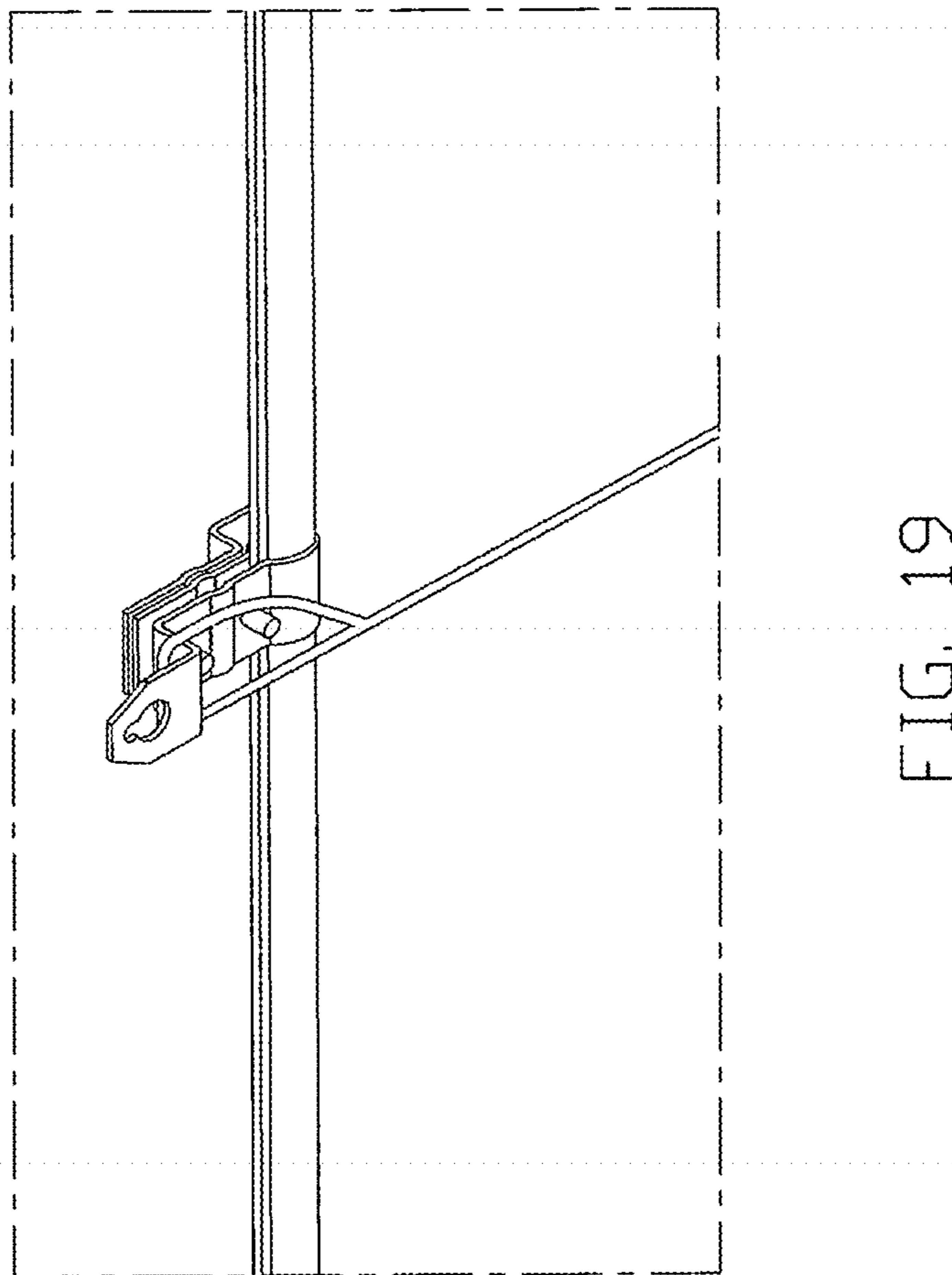


FIG. 18



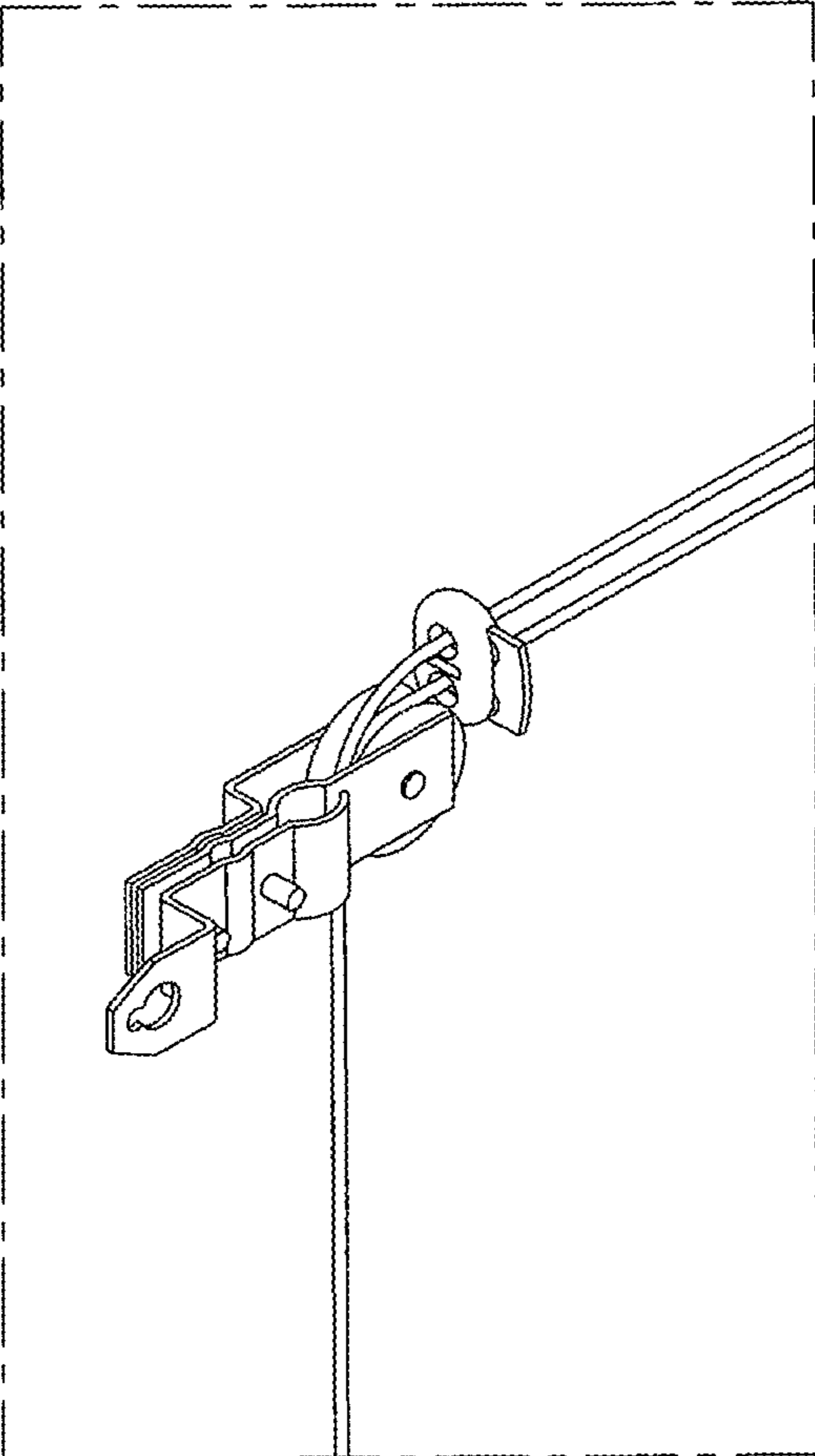


FIG. 20