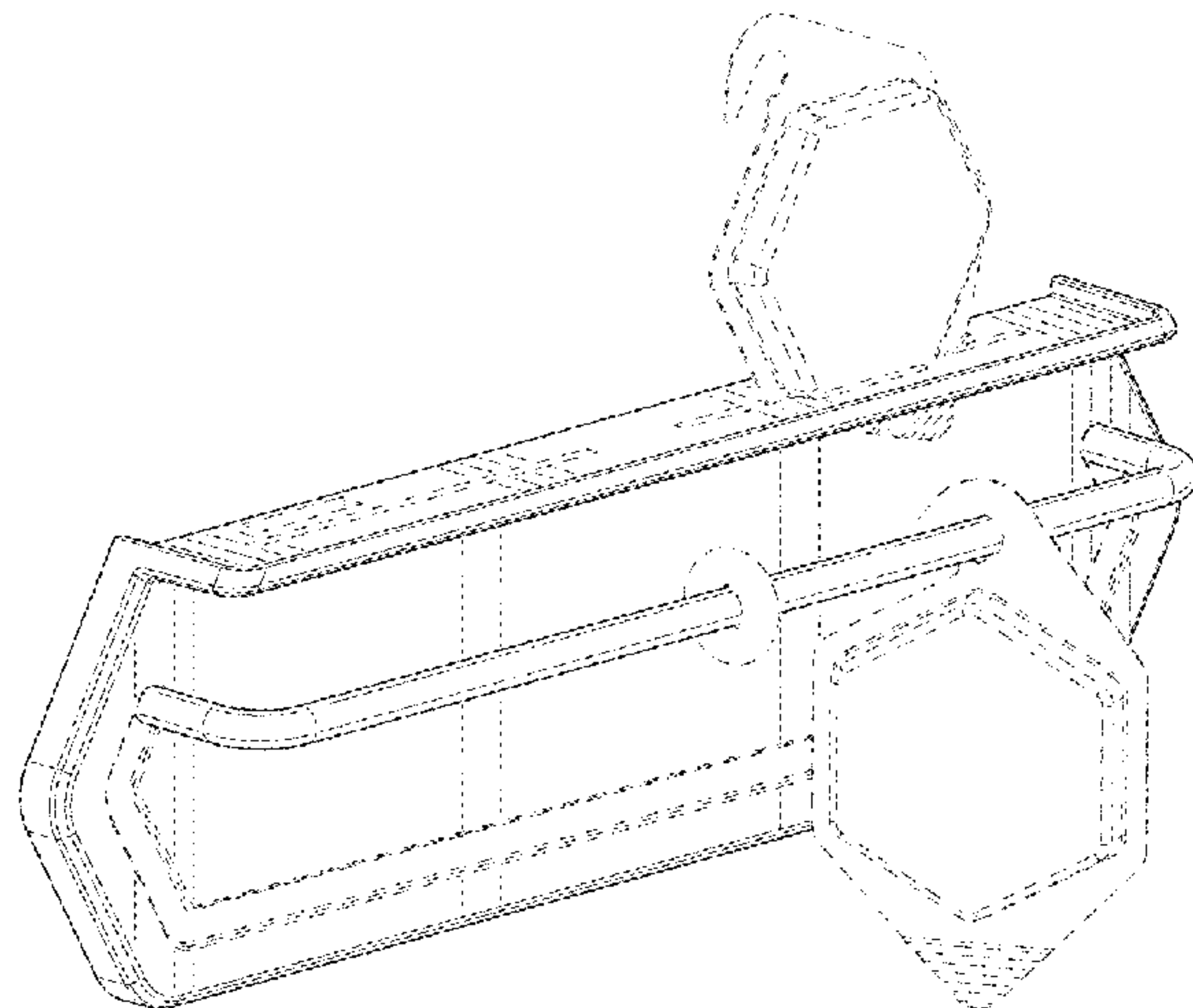


US00D941051S

(12) **United States Design Patent** (10) **Patent No.:** **US D941,051 S**
Cook et al. (45) **Date of Patent:** **** Jan. 18, 2022**

- (54) **SHOWER HANGER** 2,486,921 A 11/1949 Byerly
 2,486,922 A 11/1949 Bruce
 2,528,378 A 10/1950 Mannheimer
 2,613,185 A 10/1952 Marshall
 2,658,072 A 11/1953 Milton
 2,694,668 A 11/1954 Fricke
 2,809,971 A 10/1957 Jack et al.
 3,152,046 A 10/1964 Maria
 3,236,733 A 2/1966 Karsten et al.
 3,321,425 A 5/1967 Karl-ludwig et al.
 3,332,880 A 7/1967 Adriaan et al.
 3,426,440 A 2/1969 Shen et al.
 3,463,308 A 8/1969 Deneke
 3,489,688 A 1/1970 Pospischil
 3,653,383 A 4/1972 Wise
 3,695,989 A 10/1972 Albert
 3,753,196 A 8/1973 Kurtz et al.
 3,761,418 A 9/1973 Parran
 3,929,678 A 12/1975 Laughlin
 3,967,921 A 7/1976 Haberli et al.
 4,020,156 A 4/1977 Murray et al.
 4,051,081 A 9/1977 Jabs et al.
 4,089,945 A 5/1978 Brinkman et al.
 4,149,551 A 4/1979 Benjamin et al.
 4,196,190 A 4/1980 Gehman et al.
 4,197,865 A 4/1980 Jacquet et al.
 4,206,196 A 6/1980 Davis
 4,217,914 A 8/1980 Jacquet et al.
 4,272,511 A 6/1981 Papantoniou et al.
 4,323,683 A 4/1982 Bolich, Jr. et al.
 4,345,080 A 8/1982 Bolich, Jr.
 D266,808 S * 11/1982 Thompson D6/525
 D266,829 S 11/1982 Yoshizawa et al.
 4,379,753 A 4/1983 Bolich, Jr.
 4,381,919 A 5/1983 Jacquet et al.
 4,422,853 A 12/1983 Jacquet et al.
 D274,486 S * 7/1984 Thompson D6/525
 4,470,982 A 9/1984 Winkler
 4,507,280 A 3/1985 Pohl et al.
 4,529,586 A 7/1985 De et al.
 4,536,361 A 8/1985 Torobin
 4,565,647 A 1/1986 Llenado
 D286,450 S 10/1986 Tovey
 4,663,158 A 5/1987 Wolfram et al.
 4,710,374 A 12/1987 Grollier et al.
 4,822,613 A 4/1989 Rodero
 4,885,107 A 12/1989 Wetzel
 4,976,953 A 12/1990 Orr et al.
 4,990,280 A 2/1991 Thorengaard
 D315,075 S * 3/1991 Gerber D6/553
 5,055,384 A 10/1991 Kuehnert
 5,061,481 A 10/1991 Suzuki et al.
 5,062,889 A 11/1991 Hoehl et al.
- (71) Applicant: **The Procter & Gamble Company,**
 Cincinnati, OH (US)
- (72) Inventors: **Douglas Charles Cook,** South
 Lebanon, OH (US); **Shaun Shang-Yun
 Chan,** Montgomery, OH (US); **Scott
 David Hochberg,** Cincinnati, OH (US);
Christopher Raymond Lo, Cincinnati,
 OH (US); **Nicole Alisa Renee Lockett
 Turner,** Fairfield, OH (US); **Marilyn
 Anne Vennemeyer,** Cincinnati, OH
 (US); **Sharonda Lee Crawford
 Washington,** Cincinnati, OH (US)
- (73) Assignee: **The Procter and Gamble Company,**
 Cincinnati, OH (US)
- (**) Term: **15 Years**
- (21) Appl. No.: **29/728,688**
- (22) Filed: **Mar. 20, 2020**
- (51) **LOC (13) Cl.** **23-02**
- (52) **U.S. Cl.**
 USPC **D6/525; D6/553**
- (58) **Field of Classification Search**
 USPC D6/525, 532, 432, 531, 553, 555, 559,
 D6/567; 312/7.2, 7.1, 21, 129, 209, 213,
 312/223.1, 224, 226, 227, 242, 245;
 211/13.1, 49.1, 60.1, 64, 70.5, 86.01,
 211/87.01, 88.01, 89.01, 181.1; 206/223,
 206/581
 CPC A47B 67/02; A47B 67/005; A47B 47/04;
 A47B 77/18; A47B 95/008
 See application file for complete search history.
- (56) **References Cited**
 U.S. PATENT DOCUMENTS
 2,356,168 A 8/1944 Mabley
 2,396,278 A 3/1946 Otto
 2,438,091 A 3/1948 Lynch



US D941,051 S

5,062,994 A	11/1991	Imperatori	D588,332 S	3/2009	Phelan	
5,094,853 A	3/1992	Hagarty	D592,436 S *	5/2009	Thompson	D6/574
5,098,636 A	3/1992	Balk	7,832,552 B2	11/2010	Newman	
5,100,657 A	3/1992	Ansher-jackson et al.	7,846,462 B2	12/2010	Spadini et al.	
5,100,658 A	3/1992	Bolich, Jr. et al.	7,892,992 B2	2/2011	Kamada et al.	
5,104,646 A	4/1992	Bolich, Jr.	7,901,696 B2	3/2011	Eknoian et al.	
5,106,609 A	4/1992	Bolich, Jr.	D640,921 S	7/2011	Caldwell	
5,166,276 A	11/1992	Hayama et al.	D651,096 S	12/2011	Nakagiri	
D334,420 S	3/1993	Copeland et al.	D655,154 S	3/2012	Amos	
5,220,033 A	6/1993	Kamei et al.	8,197,830 B2	6/2012	Helfman et al.	
5,261,426 A	11/1993	Kellett et al.	8,268,764 B2	9/2012	Glenn, Jr. et al.	
5,280,079 A	1/1994	Allen et al.	8,273,333 B2	9/2012	Glenn, Jr.	
RE34,584 E	4/1994	Grote et al.	8,288,332 B2	10/2012	Fossum et al.	
5,391,368 A	2/1995	Gerstein	8,309,505 B2	11/2012	Fossum et al.	
D357,115 S	4/1995	Ashley et al.	D671,778 S *	12/2012	Kwok	D6/549
5,409,703 A	4/1995	Mcanalley et al.	8,349,341 B2	1/2013	Glenn, Jr. et al.	
D358,025 S	5/1995	Martin et al.	8,349,786 B2	1/2013	Glenn, Jr. et al.	
5,415,810 A	5/1995	Lee	8,349,787 B2	1/2013	Glenn, Jr. et al.	
5,429,628 A	7/1995	Trinh et al.	8,357,728 B2	1/2013	Butler et al.	
5,455,114 A	10/1995	Ohmory	D680,882 S	4/2013	Logue	
5,457,895 A	10/1995	Thompson et al.	8,415,287 B2	4/2013	Glenn, Jr. et al.	
5,476,597 A	12/1995	Sakata et al.	D682,622 S	5/2013	Keys	
5,501,238 A	3/1996	Von Borstel et al.	8,461,090 B2	6/2013	Glenn, Jr. et al.	
5,580,481 A	12/1996	Sakata et al.	8,461,091 B2	6/2013	Glenn, Jr.	
5,582,786 A	12/1996	Brunskill et al.	8,466,099 B2	6/2013	Glenn, Jr. et al.	
D378,180 S	2/1997	Hayes	D685,436 S	7/2013	Menting	
5,660,845 A	8/1997	Trinh et al.	8,476,211 B2	7/2013	Glenn, Jr. et al.	
5,672,576 A	9/1997	Behrens et al.	8,546,640 B2	10/2013	Popovskiy et al.	
5,673,576 A	10/1997	Chen et al.	D694,621 S	12/2013	Mccarthy	
5,674,478 A	10/1997	Dodd	8,723,333 B2	5/2014	Park et al.	
5,750,122 A	5/1998	Evans	8,765,170 B2	7/2014	Glenn, Jr.	
5,780,047 A	7/1998	Kamiya et al.	D711,155 S *	8/2014	OBrien	D6/550
D398,847 S	9/1998	Wyslotsky	D739,227 S	9/2015	Mitchell et al.	
D407,640 S	4/1999	Crapser et al.	D740,928 S	10/2015	Bruining et al.	
D408,223 S	4/1999	Henry	9,198,838 B2	12/2015	Glenn, Jr.	
5,911,224 A	6/1999	Berger	D769,522 S	10/2016	Venet	
5,925,603 A	7/1999	D'Angelo	D770,200 S *	11/2016	Garland	D6/574
5,955,419 A	9/1999	Barket, Jr. et al.	9,539,444 B2	1/2017	Kinoshita et al.	
5,976,454 A	11/1999	Sterzel et al.	D793,025 S	8/2017	Slusarczyk et al.	
D418,415 S	1/2000	Hayes	D797,551 S	9/2017	Chatterton	
D418,750 S	1/2000	Blin	D798,143 S	9/2017	Chatterton	
6,010,719 A	1/2000	Remon et al.	D808,583 S	1/2018	Zietek	
6,029,808 A	2/2000	Peck et al.	D851,344 S	6/2019	Carlson et al.	
6,034,043 A	3/2000	Fujiwara	D857,156 S	8/2019	Hani	
D427,902 S	7/2000	Hayes	D862,020 S	10/2019	Gorrell et al.	
6,106,849 A	8/2000	Malkan et al.	D866,893 S	11/2019	Hunt et al.	
6,177,391 B1	1/2001	Zafar	D867,717 S	11/2019	Chavez	
6,200,949 B1	3/2001	Reijmer et al.	D868,953 S	12/2019	Mckendree	
D442,739 S	5/2001	Friesenhahn	10,569,286 B2	2/2020	Anderson et al.	
D443,389 S	6/2001	Friesenhahn	10,694,917 B2	6/2020	Dreher et al.	
D449,881 S	10/2001	Mock, Sr.	D910,434 S	2/2021	Tan et al.	
D450,378 S	11/2001	Minakuchi et al.	D910,457 S	2/2021	Lee	
6,365,142 B1	4/2002	Tamura	2002/0077264 A1	6/2002	Roberts et al.	
D462,900 S	9/2002	Yamada et al.	2002/0081930 A1	6/2002	Jackson et al.	
6,458,754 B1	10/2002	Velazquez et al.	2002/0098994 A1	7/2002	Zafar	
D465,303 S	11/2002	Friesenhahn	2002/0099109 A1	7/2002	Dufton et al.	
6,503,521 B1	1/2003	Atis et al.	2002/0177621 A1	11/2002	Hanada et al.	
6,525,034 B2	2/2003	Dalrymple et al.	2002/0187181 A1	12/2002	Godbey et al.	
D476,837 S *	7/2003	Hoernig	2003/0018242 A1	1/2003	Hursh et al.	D6/527
D484,749 S	1/2004	Garraway	2003/0032573 A1	2/2003	Tanner et al.	
D493,313 S *	7/2004	Hoernig	2003/0045441 A1	3/2003	Hsu et al.	D6/524
D495,180 S *	8/2004	Painter	2003/0069154 A1	4/2003	Hsu et al.	D6/527
6,790,814 B1	9/2004	Marin	2003/0080150 A1	5/2003	Cowan	
6,800,295 B2	10/2004	Fox	2003/0099691 A1	5/2003	Lydzinski et al.	
6,808,375 B2	10/2004	Kloetzer	2003/0099692 A1	5/2003	Lydzinski et al.	
6,825,161 B2	11/2004	Shefer et al.	2003/0180242 A1	9/2003	Eccard et al.	
6,831,046 B2	12/2004	Carew et al.	2003/0186826 A1	10/2003	Eccard et al.	
6,846,784 B2	1/2005	Engel et al.	2003/0194416 A1	10/2003	Shefer	
6,878,368 B2	4/2005	Ohta et al.	2003/0199412 A1	10/2003	Gupta	
6,943,200 B1	9/2005	Corrand et al.	2003/0209166 A1	11/2003	Vanmaele et al.	
D515,915 S	2/2006	Karim	2003/0215522 A1	11/2003	Johnson et al.	
7,015,181 B2	3/2006	Lambino	2003/0232183 A1	12/2003	Dufton	
7,208,460 B2	4/2007	Shefer et al.	2004/0029762 A1	2/2004	Hensley	
D547,991 S *	8/2007	Kubota	2004/0032859 A1	2/2004	Miao	D6/567
D549,051 S	8/2007	Nordwall	2004/0048759 A1	3/2004	Ribble et al.	
7,285,520 B2	10/2007	Krzysik	2004/0048771 A1	3/2004	Mcdermott	
D559,602 S *	1/2008	Bickler	2004/0053808 A1	3/2004	Raehse et al.	D6/549
7,387,787 B2	6/2008	Fox	2004/0059055 A1	3/2004	Inada	
D578,881 S	10/2008	Friedland	2004/0071742 A1	4/2004	Popplewell	

US D941,051 S

2004/0071755 A1	4/2004	Fox	2015/0313806 A1	11/2015	Lynch et al.
2004/0108615 A1	6/2004	Foley	2015/0313807 A1	11/2015	Lynch et al.
2004/0110656 A1	6/2004	Casey et al.	2015/0313808 A1	11/2015	Lynch et al.
2004/0126585 A1	7/2004	Kerins et al.	2015/0313809 A1	11/2015	Lynch et al.
2004/0175404 A1	9/2004	Shefer	2015/0315350 A1	11/2015	Mao
2004/0180597 A1	9/2004	Kamada	2016/0101026 A1	4/2016	Pratt
2004/0202632 A1	10/2004	Gott et al.	2016/0101204 A1	4/2016	Lynch
2004/0206270 A1	10/2004	Vanmaele et al.	2016/0143827 A1	5/2016	Castan Barberan
2004/0242097 A1	12/2004	Hasenoehrl	2016/0250109 A1	9/2016	Dreher
2004/0242772 A1	12/2004	Huth et al.	2016/0367104 A1	12/2016	Dreher et al.
2005/0069575 A1	3/2005	Fox	2017/0121641 A1	5/2017	Smith
2005/0136780 A1	6/2005	Clark et al.	2017/0335080 A1	11/2017	Mao
2005/0137272 A1	6/2005	Gaserod	2018/0333339 A1	11/2018	Hamersky
2005/0159730 A1	7/2005	Kathrani et al.	2019/0183243 A1*	6/2019	Brugmann A47F 5/005
2005/0202992 A1	9/2005	Grandio et al.	2019/0282457 A1	9/2019	Pratt
2005/0220745 A1	10/2005	Lu	2019/0282461 A1	9/2019	Glassmeyer
2005/0232954 A1	10/2005	Yoshinari et al.	2019/0350819 A1	11/2019	Hamersky et al.
2005/0272836 A1	12/2005	Yaginuma et al.	2020/0093710 A1	3/2020	Hamersky
2005/0287106 A1	12/2005	Legendre	2020/0214946 A1	7/2020	Chan et al.
2006/0002880 A1	1/2006	Peffly et al.	2020/0308360 A1	10/2020	Mao et al.
2006/0013869 A1	1/2006	Ignatious	2020/0405587 A1	12/2020	Song
2006/0052263 A1	3/2006	Roreger et al.	2021/0000733 A1	1/2021	Hilvert
2006/0064510 A1	3/2006	Low et al.	2021/0094744 A1	4/2021	Benson et al.
2006/0078528 A1	4/2006	Yang	2021/0107263 A1	4/2021	Bartolucci et al.
2006/0078529 A1	4/2006	Uchida	2021/0147763 A1	5/2021	Tan et al.
2006/0128592 A1	6/2006	Ross			
2006/0159730 A1	7/2006	Simon			
2006/0228319 A1	10/2006	Vona, Jr. et al.			
2006/0274263 A1	12/2006	Yacktman et al.			
2007/0028939 A1	2/2007	Mareri et al.			
2007/0099813 A1	5/2007	Luizzi			
2007/0110792 A9	5/2007	Simon			
2007/0135528 A1	6/2007	Butler et al.			
2007/0149435 A1	6/2007	Koenig et al.			
2007/0225388 A1	9/2007	Cooper et al.			
2008/0035174 A1	2/2008	Aubrun-sonneville			
2008/0083420 A1	4/2008	Glenn et al.			
2008/0090939 A1	4/2008	Netravali et al.			
2008/0131695 A1	6/2008	Aouad et al.			
2008/0138492 A1	6/2008	Cingotti			
2008/0152894 A1	6/2008	Beihoffer et al.			
2008/0153730 A1	6/2008	Tsaur			
2008/0215023 A1	9/2008	Scavone et al.			
2008/0292669 A1	11/2008	Deng et al.			
2008/0293839 A1	11/2008	Stobby			
2009/0197787 A1	8/2009	Venet et al.			
2009/0232873 A1	9/2009	Glenn, Jr.			
2009/0263342 A1	10/2009	Glenn, Jr.			
2010/0018641 A1	1/2010	Branham			
2010/0150976 A1	6/2010	Schnitzler			
2010/0167971 A1	7/2010	Glenn, Jr. et al.			
2010/0173817 A1	7/2010	Glenn, Jr. et al.			
2010/0286011 A1	11/2010	Glenn, Jr. et al.			
2010/0291165 A1	11/2010	Glenn, Jr. et al.			
2011/0023240 A1	2/2011	Fossum			
2011/0027328 A1	2/2011	Baig et al.			
2011/0028374 A1	2/2011	Fossum et al.			
2011/0033509 A1	2/2011	Simon			
2011/0165110 A1	7/2011	Kinoshita et al.			
2011/0182956 A1	7/2011	Glenn, Jr. et al.			
2011/0189247 A1	8/2011	Glenn, Jr.			
2011/0195098 A1	8/2011	Glenn, Jr.			
2011/0250256 A1	10/2011	Hyun-oh et al.			
2011/0287687 A1	11/2011	Kramer et al.			
2012/0021026 A1	1/2012	Glenn, Jr.			
2012/0052036 A1	3/2012	Glenn, Jr.			
2012/0052037 A1	3/2012	Sivik et al.			
2012/0107534 A1	5/2012	Wnuk et al.			
2012/0237576 A1	9/2012	Gordon			
2012/0270029 A1	10/2012	Glenn, Jr. et al.			
2012/0294823 A1	11/2012	Aramwit			
2012/0321580 A1	12/2012	Glenn, Jr.			
2013/0236520 A1	9/2013	Popovsky et al.			
2013/0303419 A1	11/2013	Glenn, Jr. et al.			
2014/0329428 A1	11/2014	Glenn, Jr.			
2015/0297494 A1	10/2015	Mao			
2015/0313803 A1	11/2015	Lynch et al.			
2015/0313804 A1	11/2015	Lynch et al.			
2015/0313805 A1	11/2015	Lynch et al.			

FOREIGN PATENT DOCUMENTS

CN	1138091	12/1996
CN	1219388	6/1999
CN	1268558	10/2000
CN	1357613 A	7/2002
CN	1530431 A	9/2004
CN	1583991 A	2/2005
CN	106726634 A	5/2017
CN	106728634 A	5/2017
DE	19607851 A1	9/1997
DE	10331767 A1	2/2005
DE	DM100932	4/2018
DE	DM100938	4/2018
DE	DM101063	5/2018
DE	DM101100	5/2018
DE	DM101101	5/2018
EP	609808 A1	8/1994
EP	0858828 A1	8/1998
EP	1217987 B1	12/2004
EP	1160311 B1	3/2006
EP	1958532 A2	8/2008
EP	2085434 A1	8/2009
EP	1317916 B1	10/2010
FR	2871685 A1	12/2005
FR	2886845 A1	12/2006
GB	2235204 A	2/1991
GB	2355008 A	4/2001
JP	58021608	2/1983
JP	S58216109 A	12/1983
JP	S6272609 A	4/1987
JP	S6272610 A	4/1987
JP	S6281432 A	4/1987
JP	H01172319 A	7/1989
JP	H01313418 A	12/1989
JP	H0275650 A	3/1990
JP	H05344873 A	12/1993
JP	H0617083 A	1/1994
JP	0753349	2/1995
JP	H0789852 A	4/1995
JP	H08325133 A	12/1996
JP	H09216909 A	8/1997
JP	H10251371 A	9/1998
JP	2000053998 A	2/2000
JP	2003073700 A	3/2003
JP	2003082397 A	3/2003
JP	2004256799 A	9/2004
JP	2004345983 A	12/2004
JP	2005171063 A	6/2005
JP	2007091954 A	4/2007
JP	2007197540 A	8/2007
KR	20020003442 A	1/2002
WO	8301943 A1	6/1983

WO	9514495	A1	6/1995
WO	0119948	A1	3/2001
WO	0125393	A1	4/2001
WO	200125322	A1	4/2001
WO	2001024770	A1	4/2001
WO	2001054667	A1	8/2001
WO	2004032859	A1	4/2004
WO	2004041991	A1	5/2004
WO	2005003423	A1	1/2005
WO	2005070374	A1	8/2005
WO	2005075547	A1	8/2005
WO	2007033598	A1	3/2007
WO	2007093558	A1	8/2007
WO	2009019571	A1	2/2009
WO	2009095891	A1	8/2009
WO	2010077627	A2	7/2010
WO	2010085569	A1	7/2010
WO	2012120199	A1	9/2012
WO	2019001940	A1	1/2019

OTHER PUBLICATIONS

Design of “Detergent tablets” (Design Registration No. 000634142-0003), (No. of Publicly known information: HH18274488), Registered Community Designs Bulletin, published by EUIPO on Jan. 9, 2007. (Copy not provided).

Design of “Detergent tablets” (Design Registration No. 000634142-0004), (No. of Publicly known information: HH18274489), Registered Community Designs Bulletin, published by EUIPO on Jan. 9, 2007. (Copy not provided).

Design of “Soaps” accepted on Jul. 11, 1986, Publishing Office: Korean Intellectual Property Office (KIPO), Document Name: Design Gazette (Application No. 3019850005996), Publication Date: Jun. 9, 1986, (No. of Publicly known information: HG21900612). (Copy not provided).

Guerrini et al. “Thermal and Structural Characterization of Nanofibers of Poly(vinyl alcohol) Produced by Electrospinning”, Journal of Applied Polymer Science, vol. 112, Feb. 9, 2009, pp. 1680-1687.

Hildebrand, T., et al. “Quantification of bone microarchitecture with the structure mode index”, Computer Methods in Biomechanics and Biomedical Engineering, vol. 1, Jan. 14, 1997, pp. 15-23.

How Gemz work?, Gemz Hair Care, published on Oct. 1, 2018, retrieved on Apr. 27, 2021, retrieved from the Internet URL: <https://www.youtube.com/watch?v=ts1waYk43g4>.

<https://www.craftcuts.com/hexagon-craft-shape.html> Hexagon wood cutouts, www.craftcuts.com, 1 page, reviewed as early as May 2018 (Year: 2018).

Michelle Villett, Why You Need a Sulfate-Free Shampoo, The Skincare Edit, updated date: Jan. 25, 2019, Original publication date: Feb. 22, 2016 (Year: 2016), 7 pages.

Okasaka et al., “Evaluation Of Anionic Surfactants Effects On The Skin Barrier Function Based On Skin Permeability”, Pharmaceutical Development and Technology, vol. 24, No. 1, Jan. 23, 2018, pp. 99-104.

Product Review: Gemz Solid Shampoo, Travel As Much, published on Mar. 19, 2019, retrieved on Apr. 27, 2021, retrieved from the Internet URL: <https://travelasmuch.com/gemz-solid-shampoo-review/>.

Vaughan, C.D. “Solubility, Effects in Product, Package, Penetration and Preservation”, Cosmetics and Toiletries, vol. 103, Oct. 1988.

Veslerby, A.: “Star volume in Bone Research: A Histomorphometric Analysis Of Trabecular Bone Structure Using Vertical Sections”, Anal Rec: Feb. 1993, 232(2), pp. 325-334.

Zhang et al. “Study on Morphology of Electrospun Poly(vinyl alcohol) Mats,” European Polymer Journal 41 (2005), pp. 423-432.

U.S. Appl. No. 29/728,687, filed Mar. 20, 2020, Douglas Charles Cook et al.

U.S. Appl. No. 29/707,809, filed Oct. 1, 2019, Sharonda Lee Crawford Washington et al.

U.S. Appl. No. 29/707,807, filed Oct. 1, 2019, Sharonda Lee Crawford Washington et al.

U.S. Appl. No. 29/766,885, filed Jan. 19, 2021, Wee Hau Tan et al.

* cited by examiner

Primary Examiner — Nathan M Johnston

(74) Attorney, Agent, or Firm — Alexandra S. Anoff

(57)

CLAIM

The ornamental design for a shower hanger, as shown and described.

DESCRIPTION

FIG. 1 is a first perspective view of a shower hanger, embodying our new design;

FIG. 2 is a front view of the shower hanger of FIG. 1;

FIG. 3 is a first side view of the shower hanger of FIG. 1;

FIG. 4 is a back view of the shower hanger of FIG. 1;

FIG. 5 is a second side view of the shower hanger of FIG. 1;

FIG. 6 is a top view of the shower hanger of FIG. 1; and,

FIG. 7 is a bottom view of the shower hanger of FIG. 1.

Broken lines are used to illustrate portions of the shower hanger or environmental subject matter that form no part of the claimed design. None of the broken lines form any part of the claimed design.

1 Claim, 3 Drawing Sheets

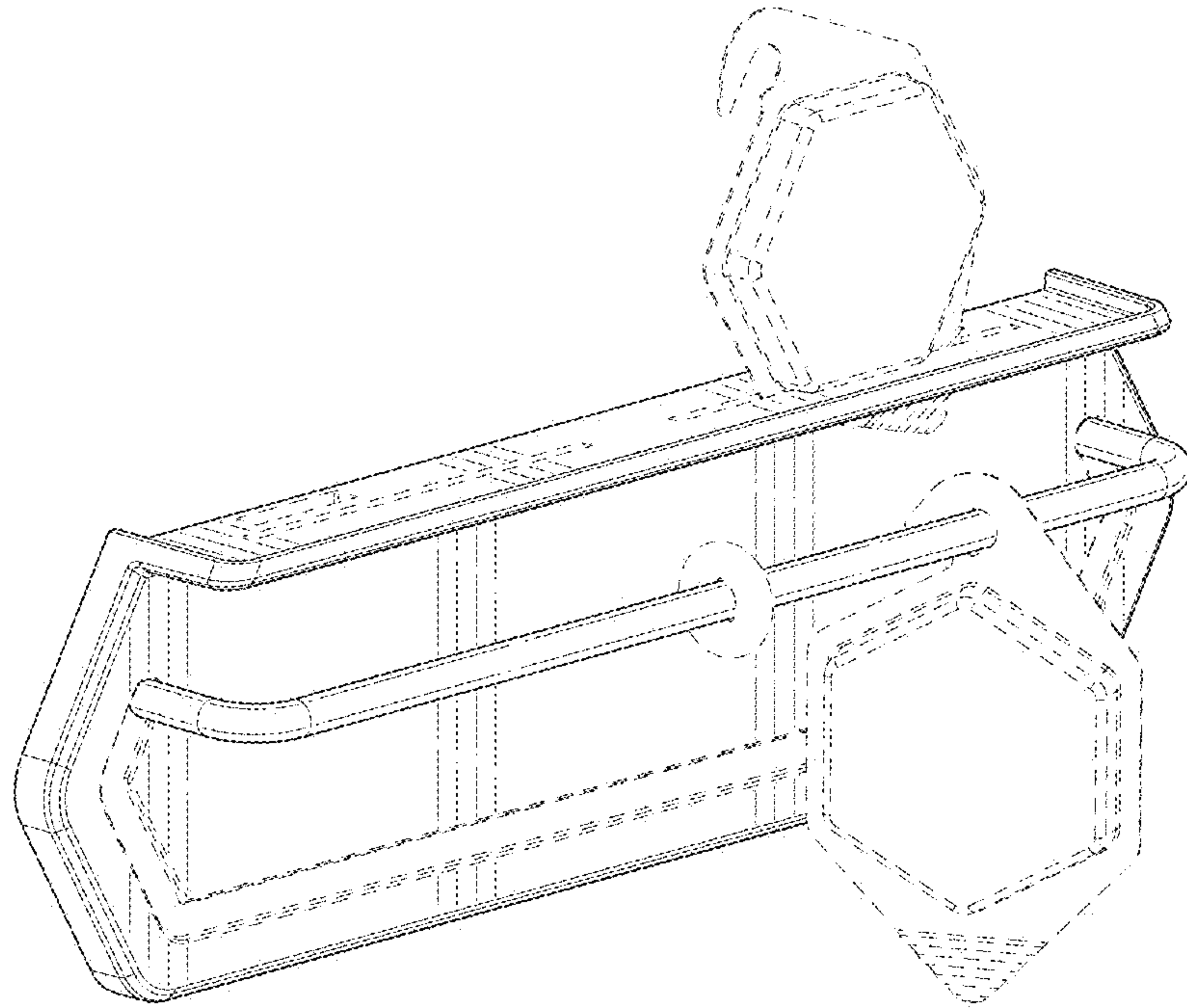


FIG. 1

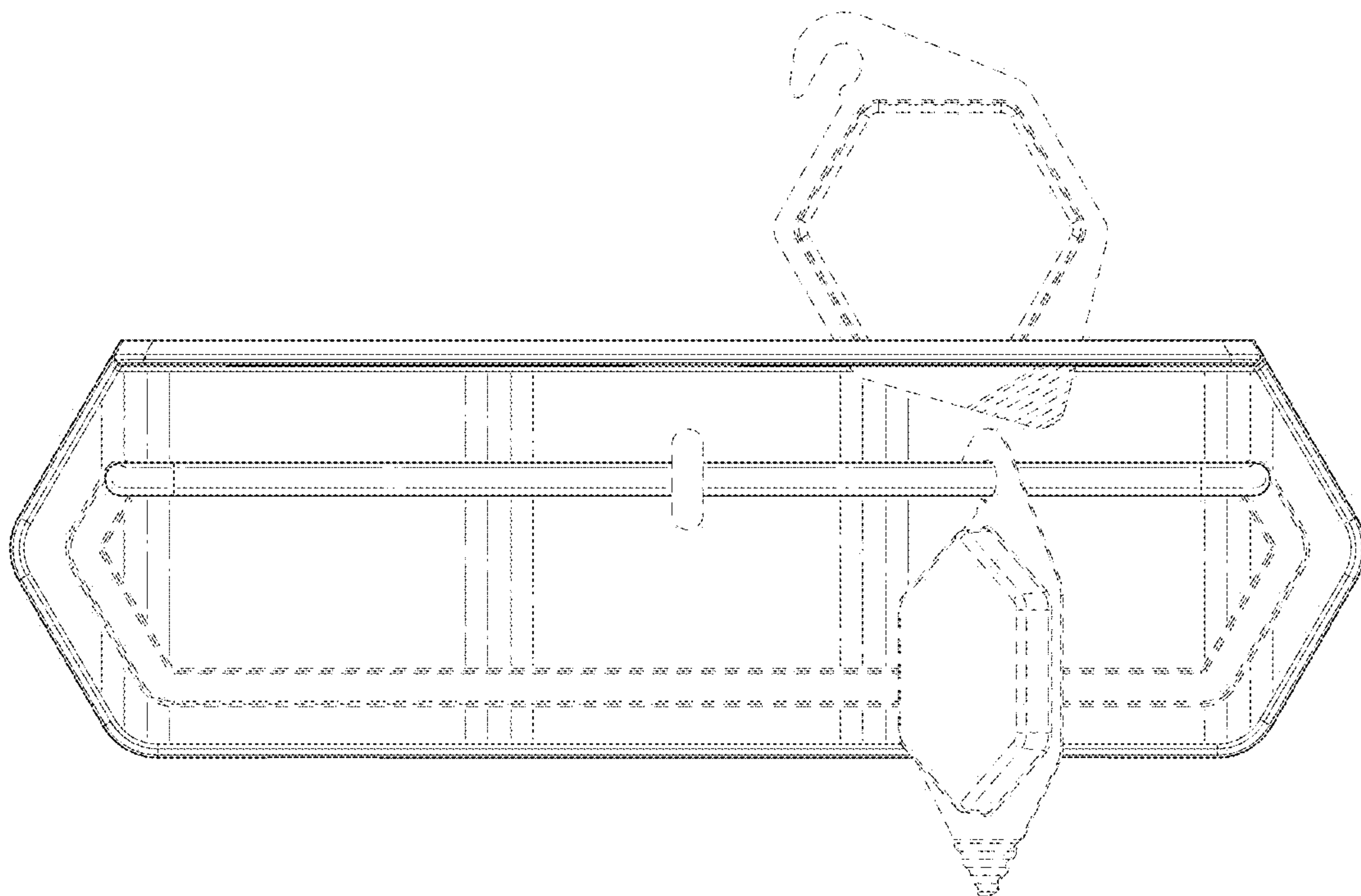


FIG. 2

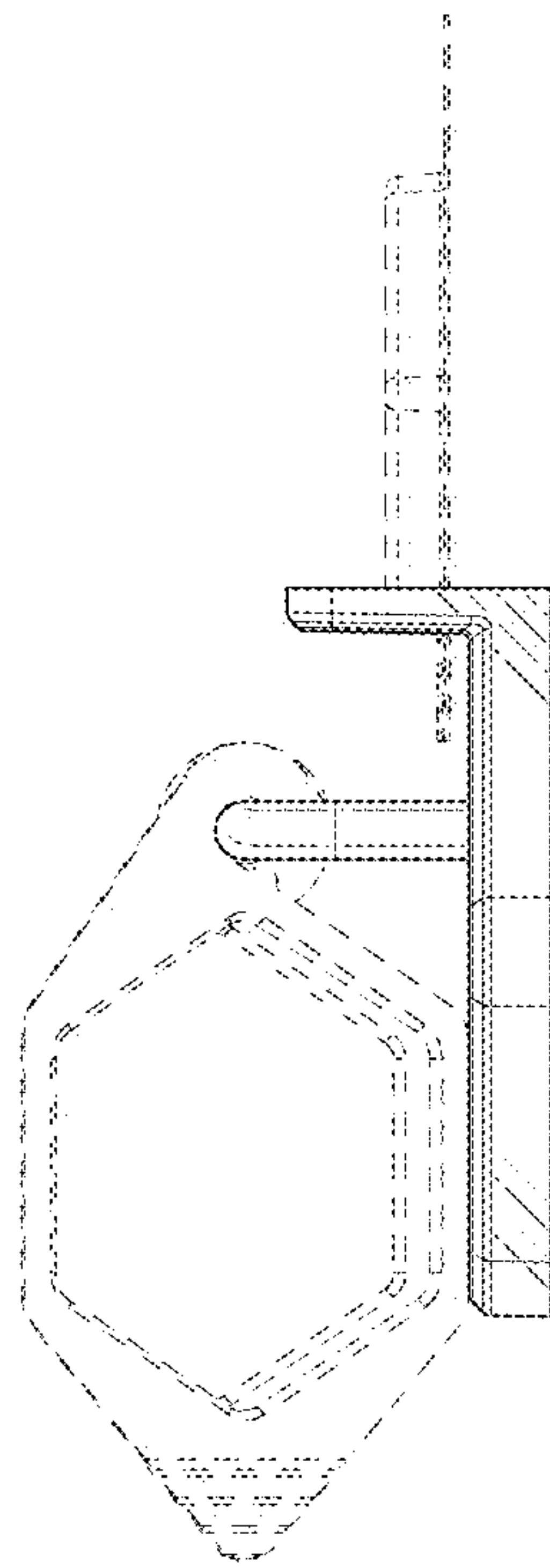


FIG. 3

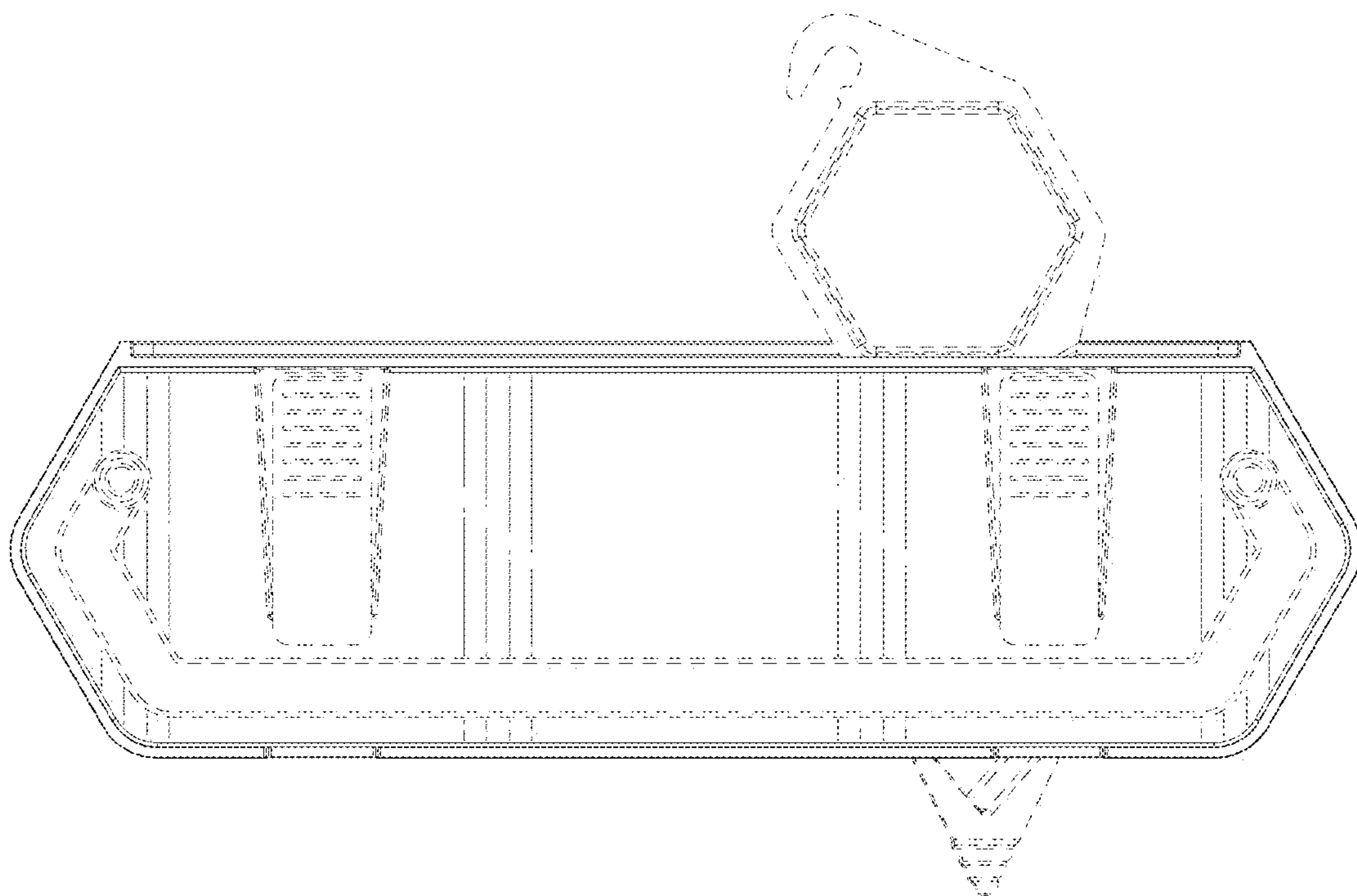


FIG. 4

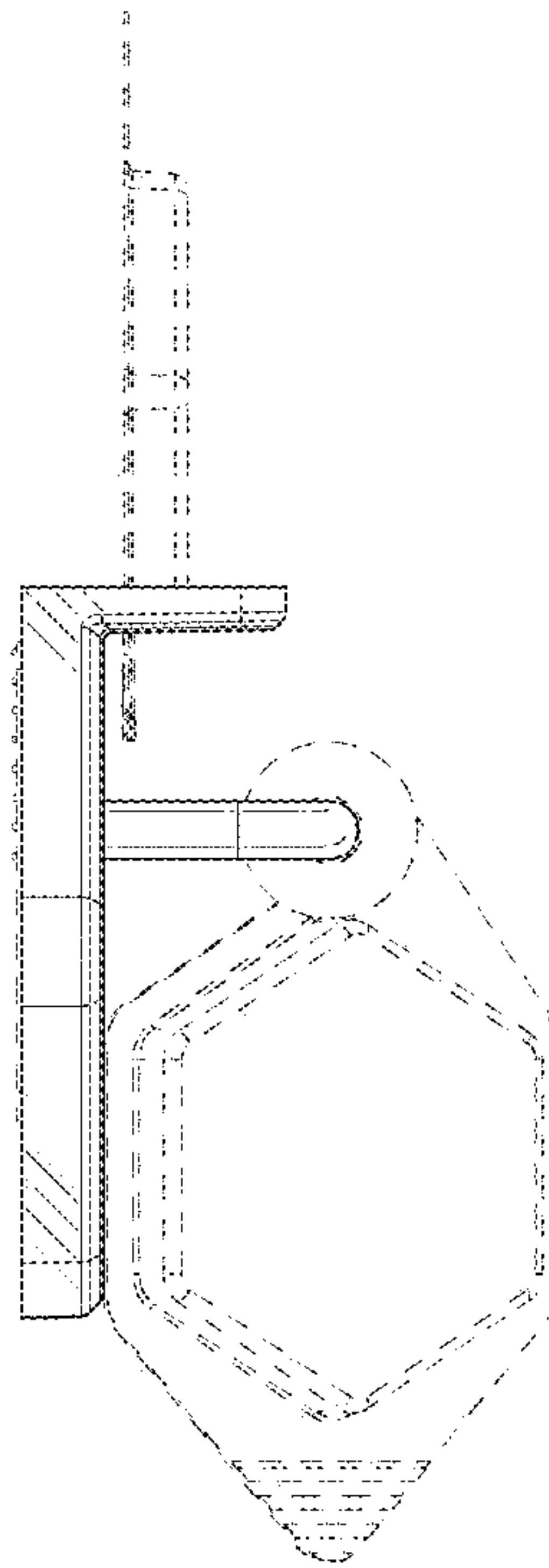


FIG. 5

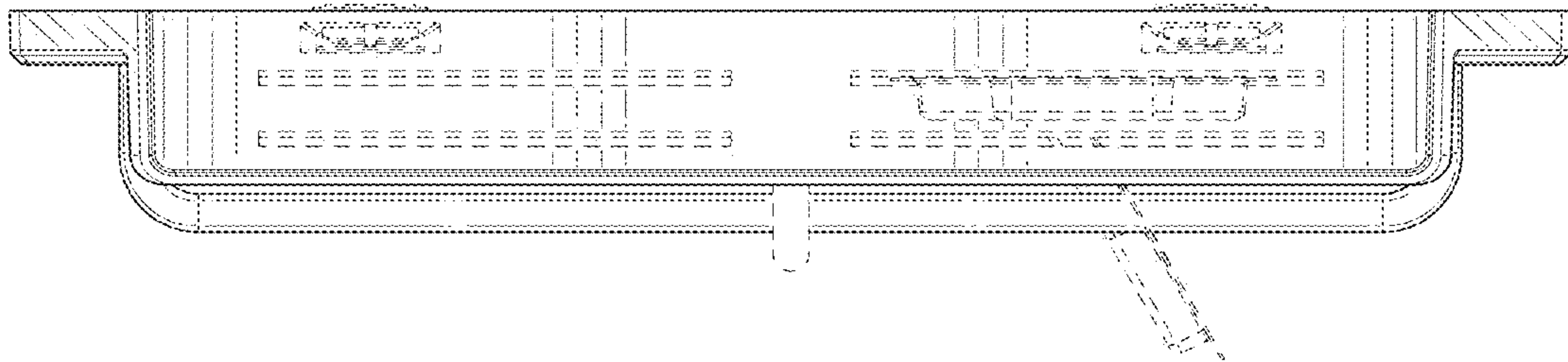


FIG. 6

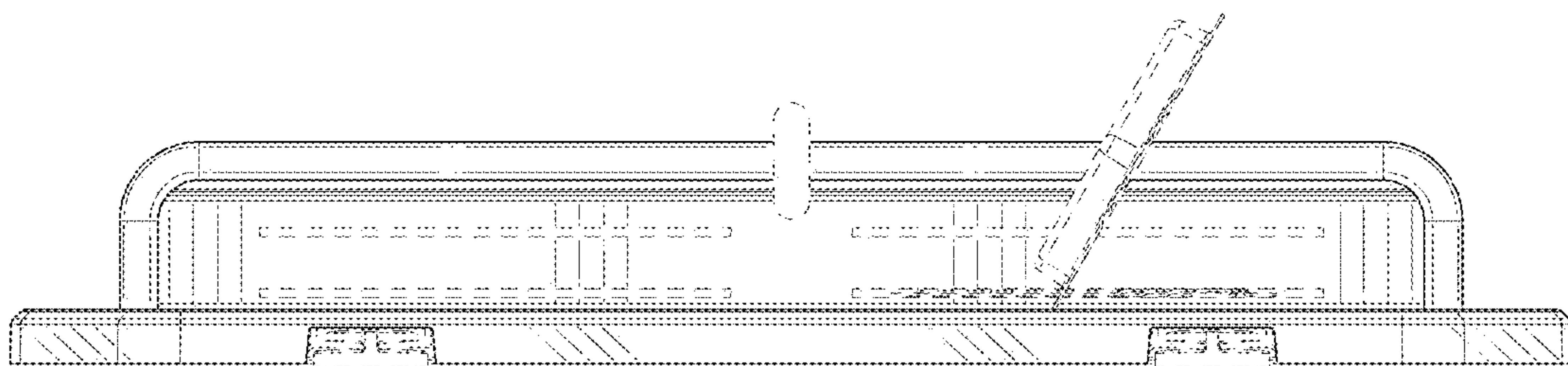


FIG. 7