



US00D941049S

(12) **United States Design Patent**  
**Lithgow et al.**

(10) **Patent No.:** **US D941,049 S**  
(45) **Date of Patent:** **\*\* Jan. 18, 2022**

(54) **BED**

(71) Applicant: **Dmitriy & Company LLC**, New York, NY (US)

(72) Inventors: **Alexander Lithgow**, New York, NY (US); **Joshua Edward Dycus**, New York, NY (US); **Donata Blekhtser**, New York, NY (US); **Dmitriy Feldman**, New York, NY (US)

(73) Assignee: **DMITRIY & COMPANY LLC**, New York, NY (US)

(\*\*) Term: **15 Years**

(21) Appl. No.: **29/752,656**

(22) Filed: **Sep. 28, 2020**

(51) **LOC (13) Cl.** ..... **06-02**

(52) **U.S. Cl.**  
USPC ..... **D6/393**

(58) **Field of Classification Search**  
USPC ..... D6/382, 393, 394, 718, 718.13, 718.22, D6/718.23  
CPC ..... A47C 19/021; A47C 19/022  
See application file for complete search history.

(56) **References Cited**

**U.S. PATENT DOCUMENTS**

D106,298 S *	10/1937	Krick	.....	D6/718.22
2,541,194 A *	2/1951	Bornhuetter	.....	A47C 19/005
				5/131
D521,272 S *	5/2006	Hutton	.....	D6/393
D717,090 S *	11/2014	James	.....	D6/718.22
D845,022 S *	4/2019	Birch	.....	D6/393
D862,105 S *	10/2019	Liu	.....	D6/393
D875,421 S *	2/2020	Bernhardt	.....	D6/392
D883,703 S *	5/2020	Gartler	.....	D6/393

(Continued)

**OTHER PUBLICATIONS**

“Coaster Home Furnishings Upholstered Bed.” Found online Nov. 6, 2021 at [www.amazon.com](https://www.amazon.com). Product first available Dec. 21, 2017. Retrieved from URL: <https://www.amazon.com/Coaster-Home-Furnishings-300626Q-Upholstered/dp/B078JVX2FW?th=1> (Year: 2017).\*

(Continued)

*Primary Examiner* — Michael C Stout

*Assistant Examiner* — Katelin G Kloberg

(74) *Attorney, Agent, or Firm* — Lewis Roca Rothgerber Christie LLP

(57) **CLAIM**

The ornamental design for a bed, as shown and described.

**DESCRIPTION**

FIG. 1 is a perspective view of a first embodiment of a bed showing our new design;

FIG. 2 is a top plan view thereof;

FIG. 3 is a front elevation view thereof;

FIG. 4 is a right side elevation view thereof, the left side being a mirror image;

FIG. 5 is an enlarged fragment of a portion of the bed shown in FIG. 1 and labelled 5;

FIG. 6 is a perspective view of a second embodiment of a bed showing our new design;

FIG. 7 is a top plan view thereof;

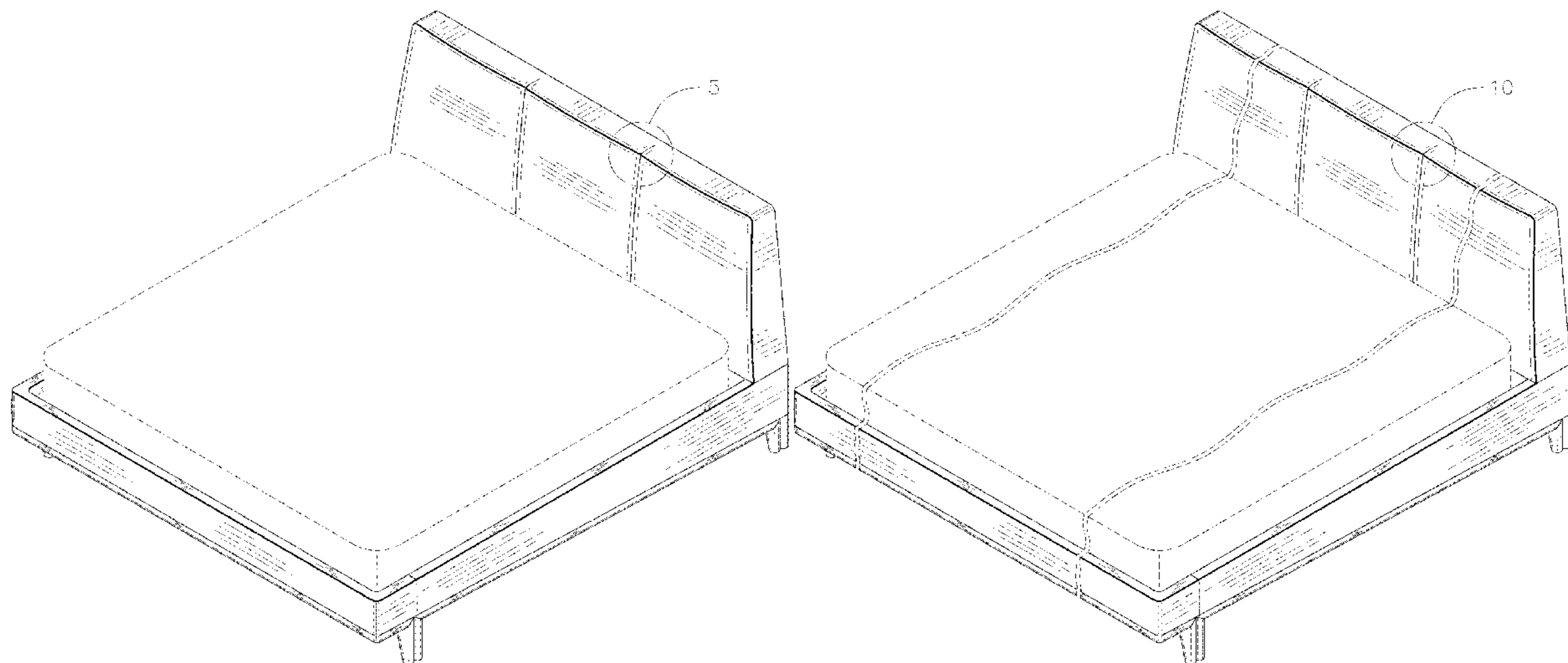
FIG. 8 is a front elevation view thereof;

FIG. 9 is a right side elevation view thereof, the left side being a mirror image; and,

FIG. 10 is an enlarged fragment of a portion of the bed shown in FIG. 6 and labelled 10.

The broken lines show environmental subject matter and form no part of the claimed design. The second embodiment is shown with symbolic breaks in FIGS. 6-8, and those portions of the article between the break lines form no part of the claimed design.

**1 Claim, 10 Drawing Sheets**



(56)

**References Cited**

U.S. PATENT DOCUMENTS

10,709,254 B2 \* 7/2020 Jewett ..... A47C 19/025  
D899,804 S \* 10/2020 Carter ..... D6/393

OTHER PUBLICATIONS

“Spencer Bed.” Found online Nov. 6, 2021 at [www.minotti.com](http://www.minotti.com). Page archived Aug. 12, 2020. Retrieved from URL: <https://web.archive.org/web/20200812212635/https://www.minotti.com/en/spencer-bed> (Year: 2020).\*

“Crown Mark Erin Upholstered Panel Bed.” Found online Nov. 6, 2021 at [www.amazon.com](http://www.amazon.com). Product first available Apr. 6, 2017. Retrieved from URL: <https://www.amazon.com/Crown-Mark-Upholstered-Panel-Nailhead/dp/B06Y3BTHZG> (Year: 2017).\*

“Meridian Furniture Eva Collection Velvet Upholstered Bed.” Found online Nov. 6, 2021 at [www.amazon.com](http://www.amazon.com). Product first available Oct. 9, 2020. Retrieved from URL: <https://www.amazon.com/Meridian-Furniture-Gray-Velvet-Upholstered/dp/B08KYNDCTY?th=1> (Year: 2020).\*

\* cited by examiner

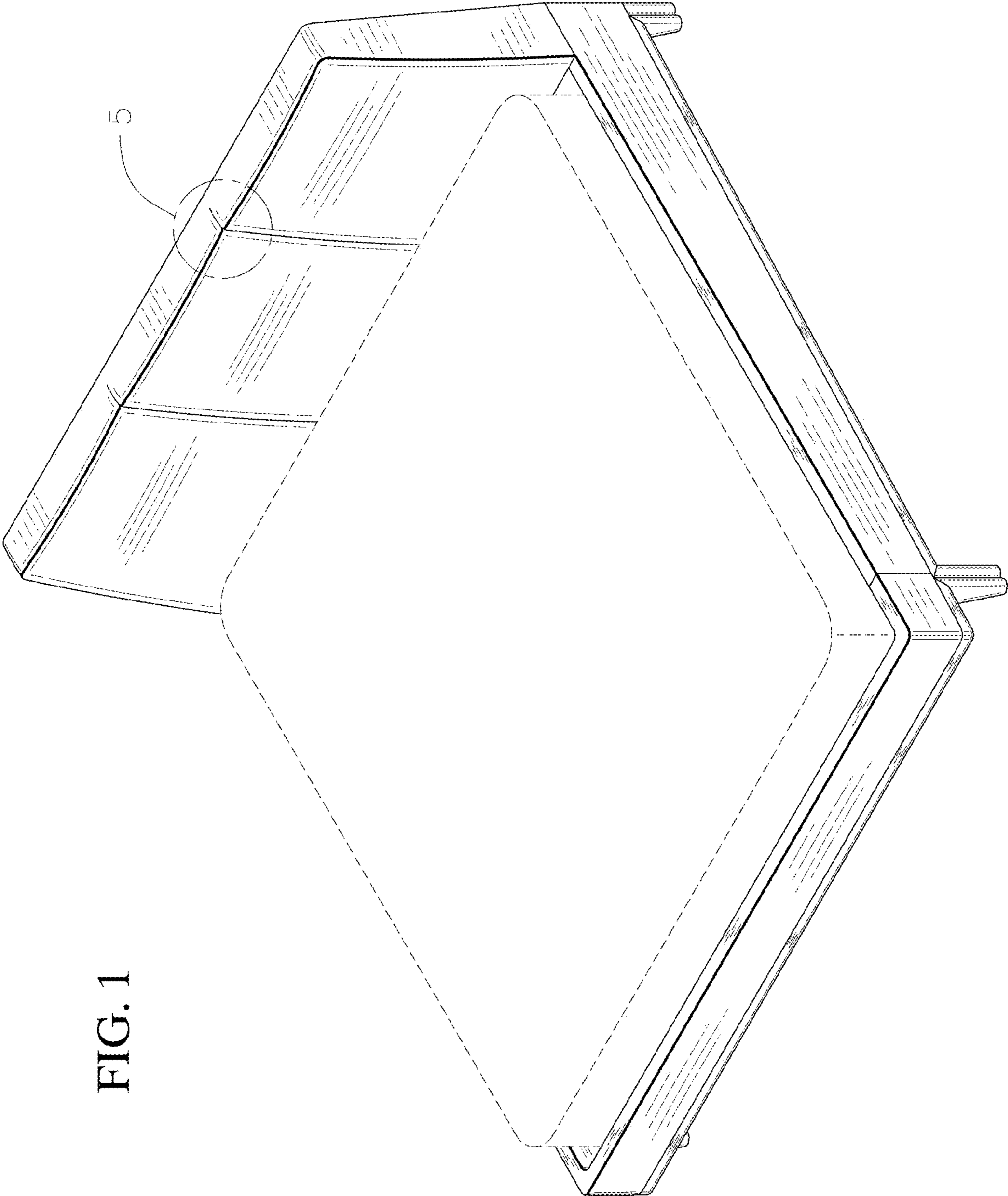


FIG. 1

FIG. 2

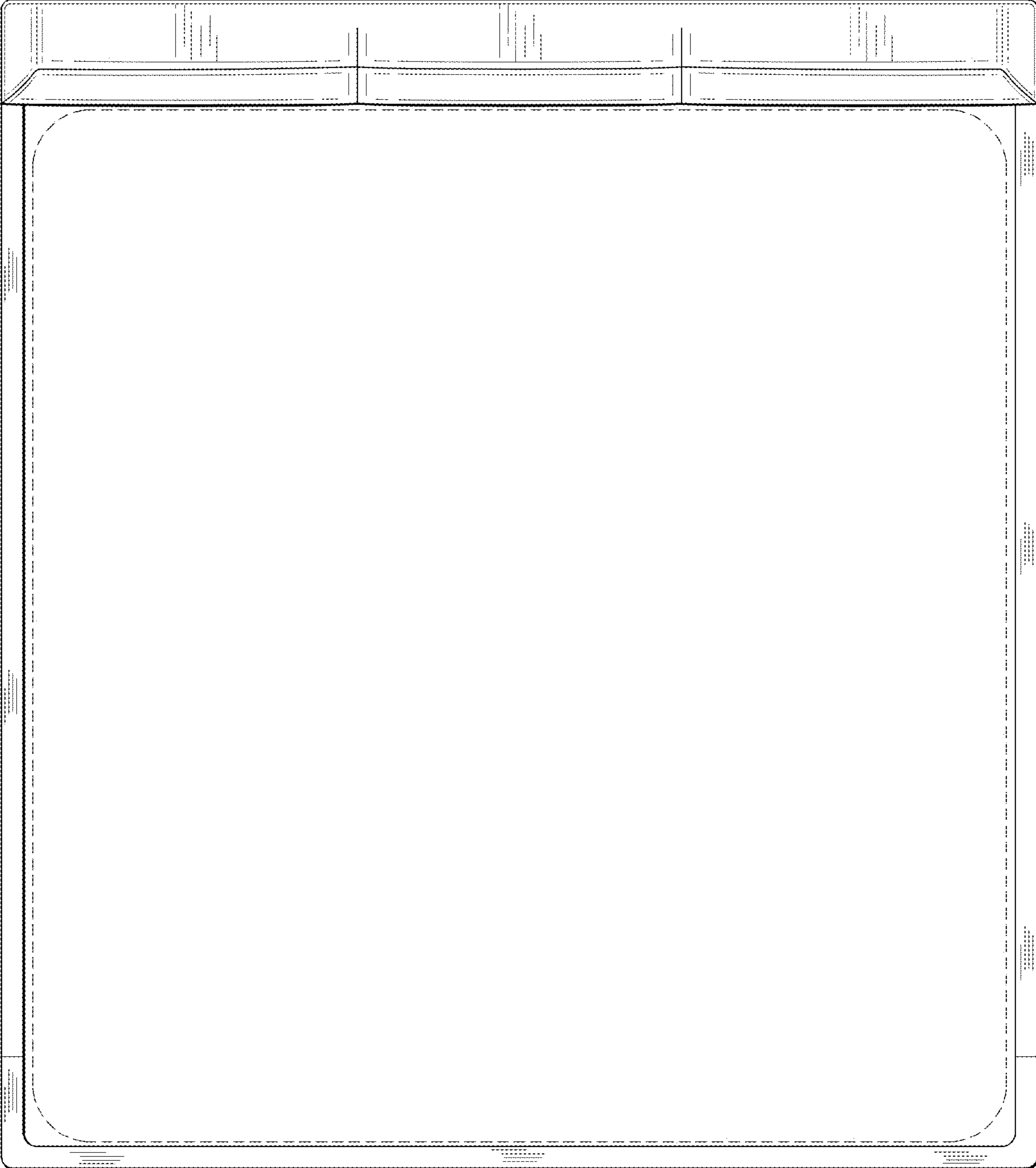


FIG. 3

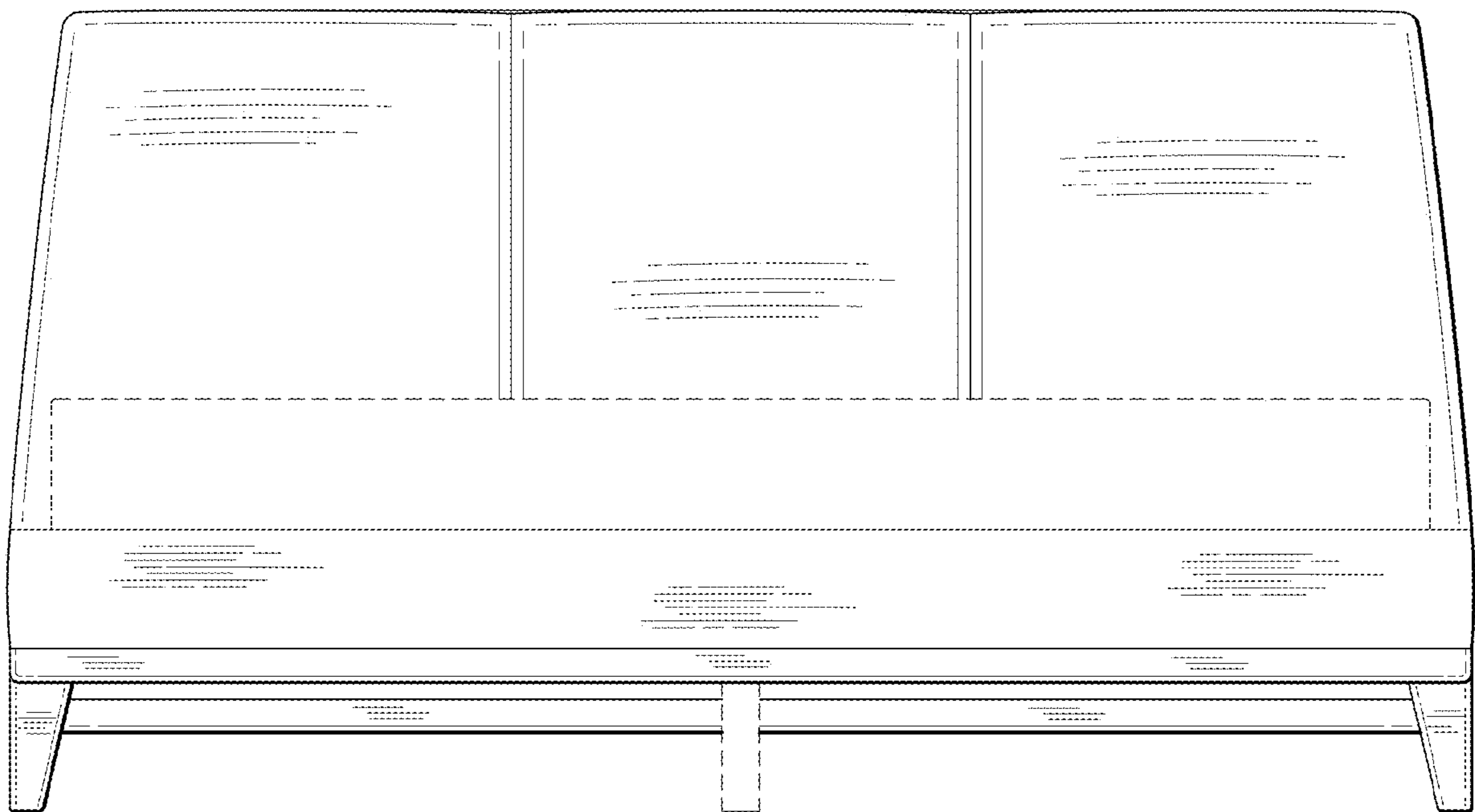




FIG. 4

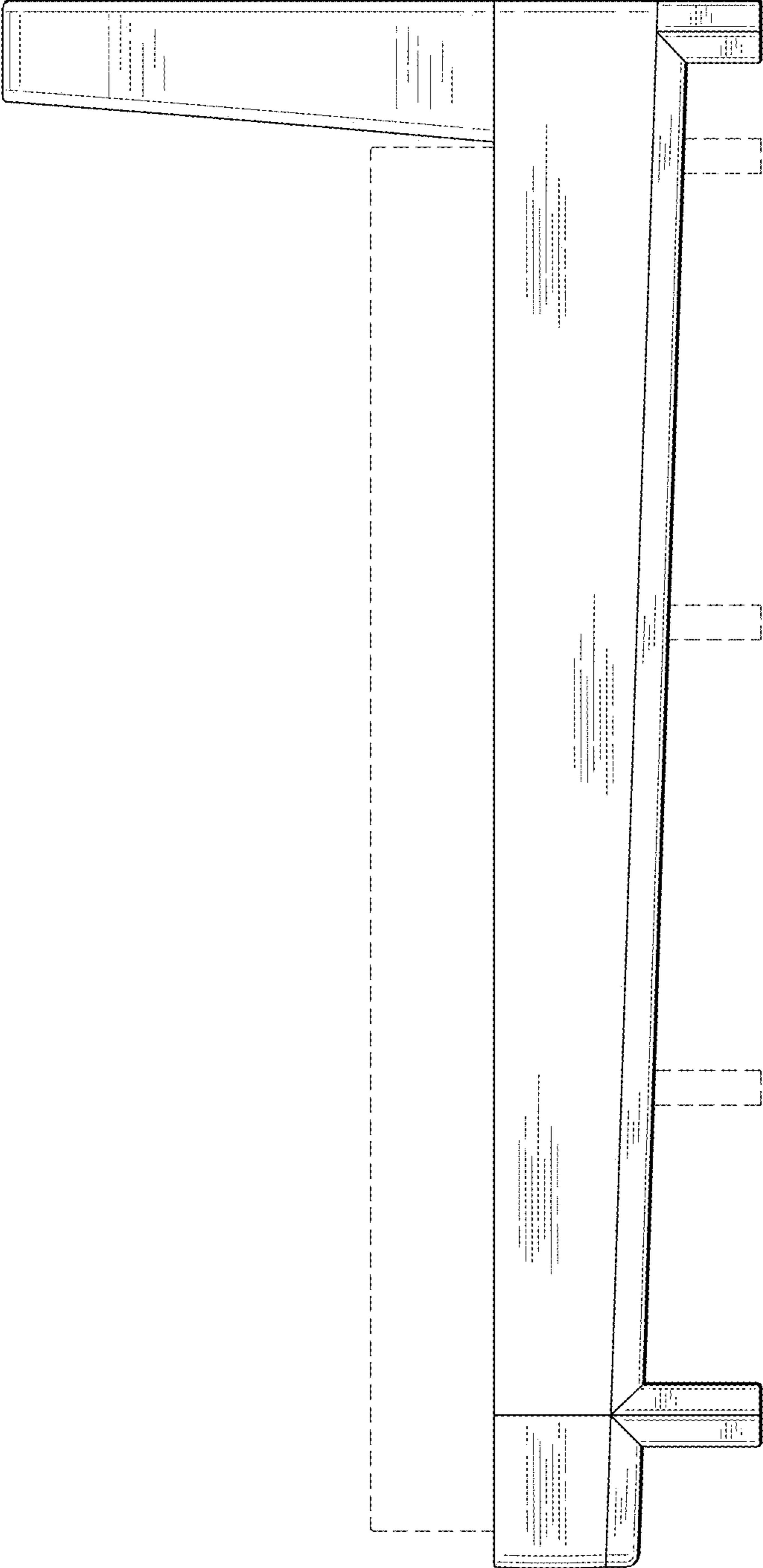
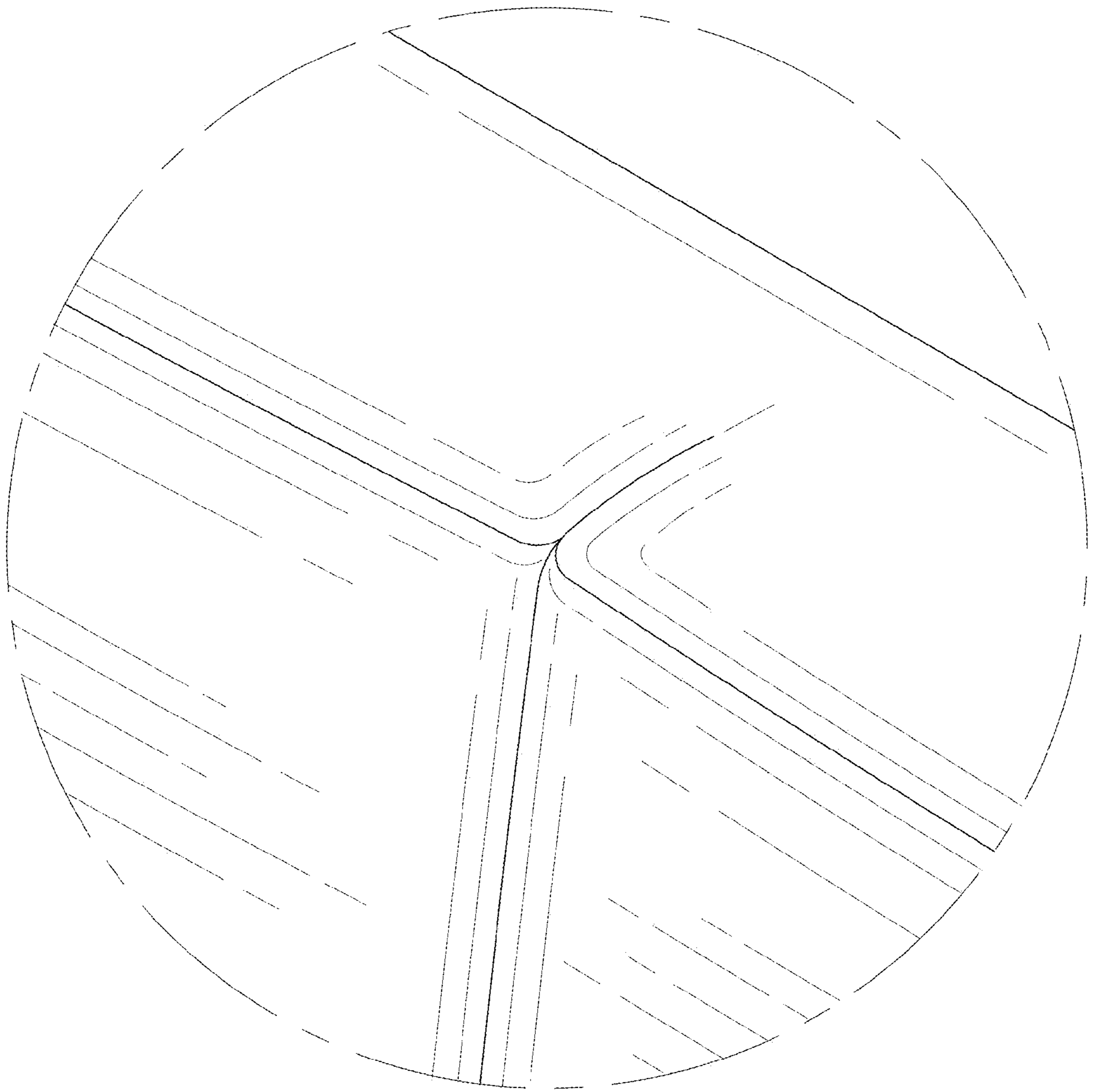


FIG. 5



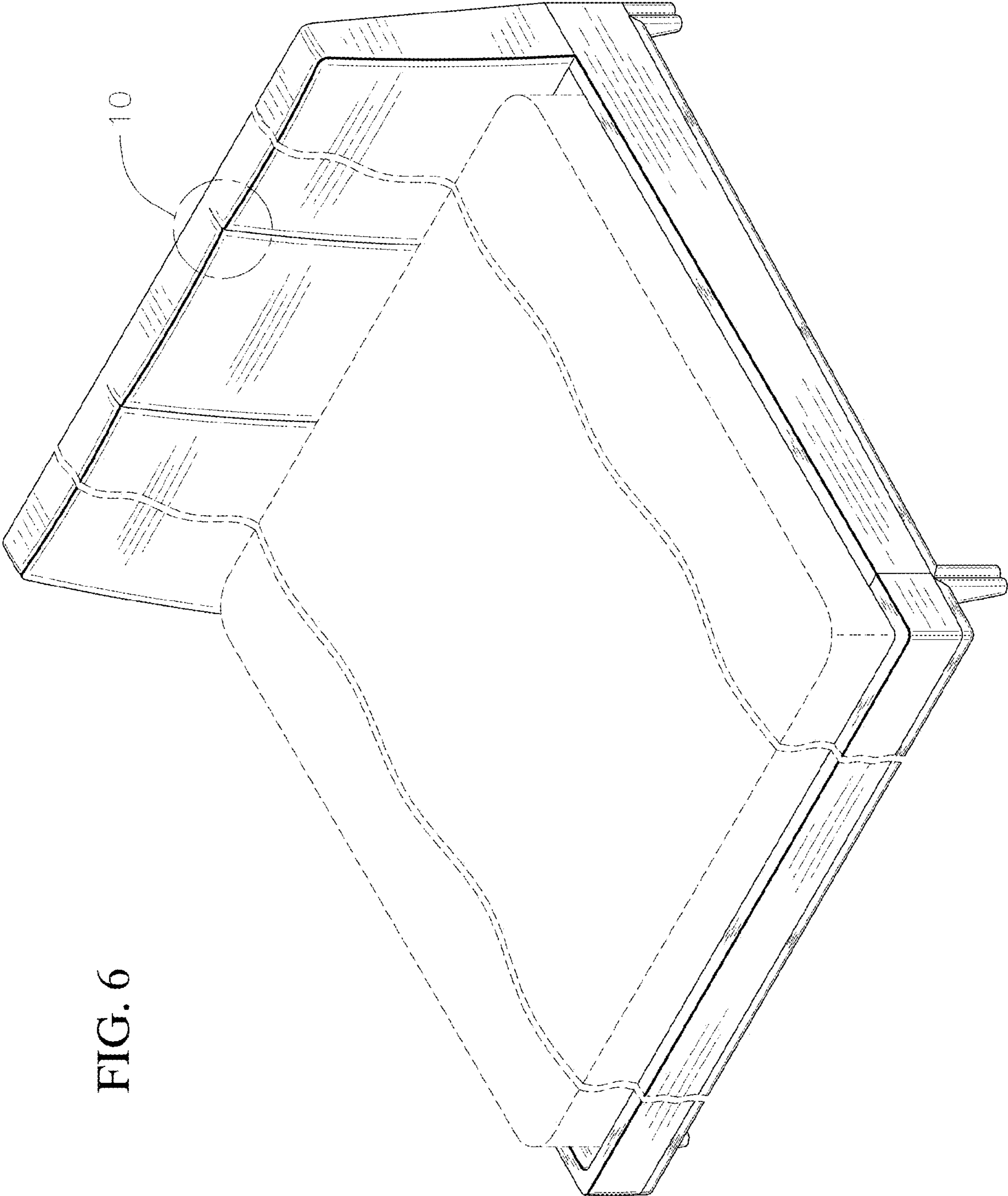


FIG. 6



FIG. 7

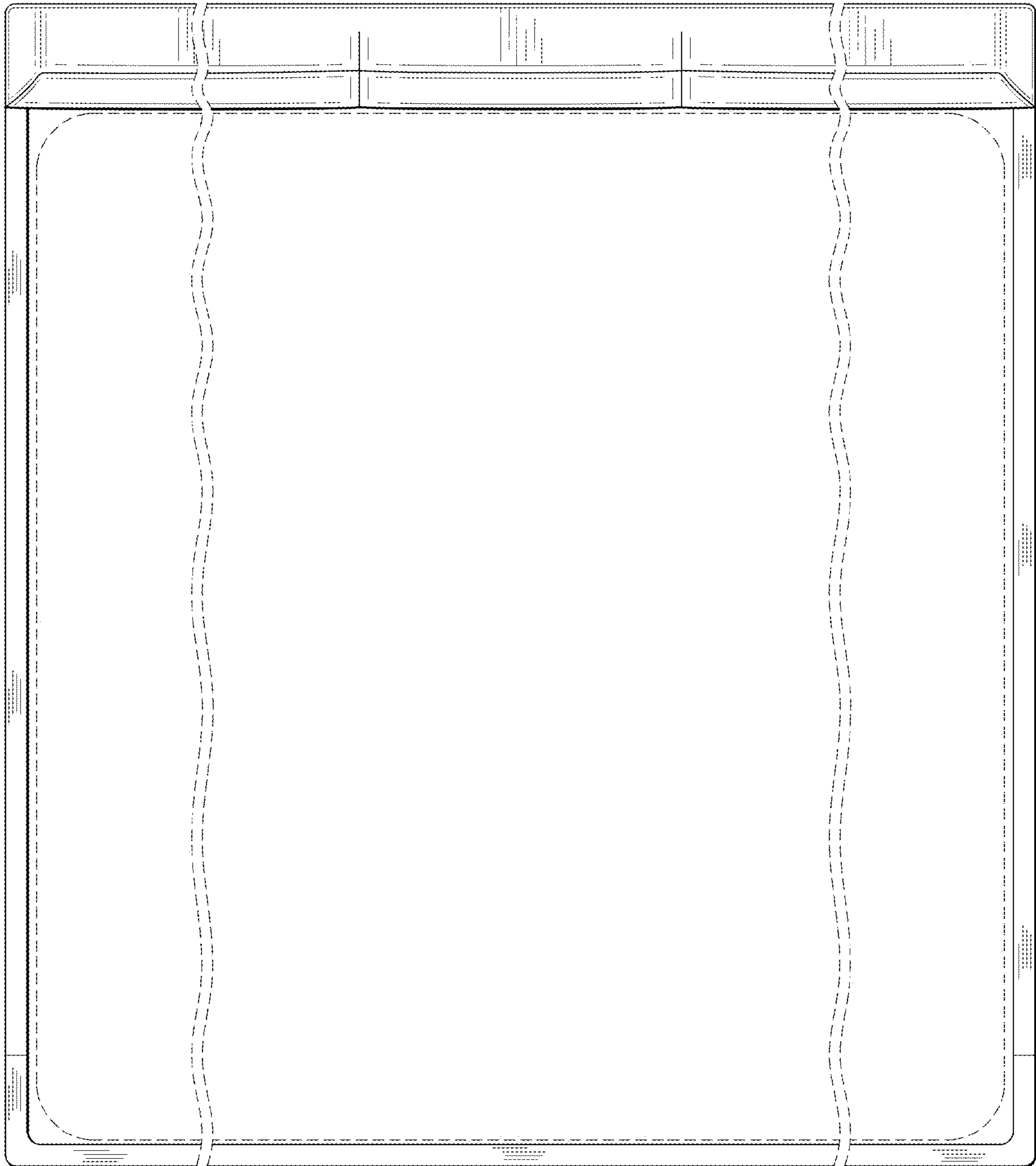


FIG. 8

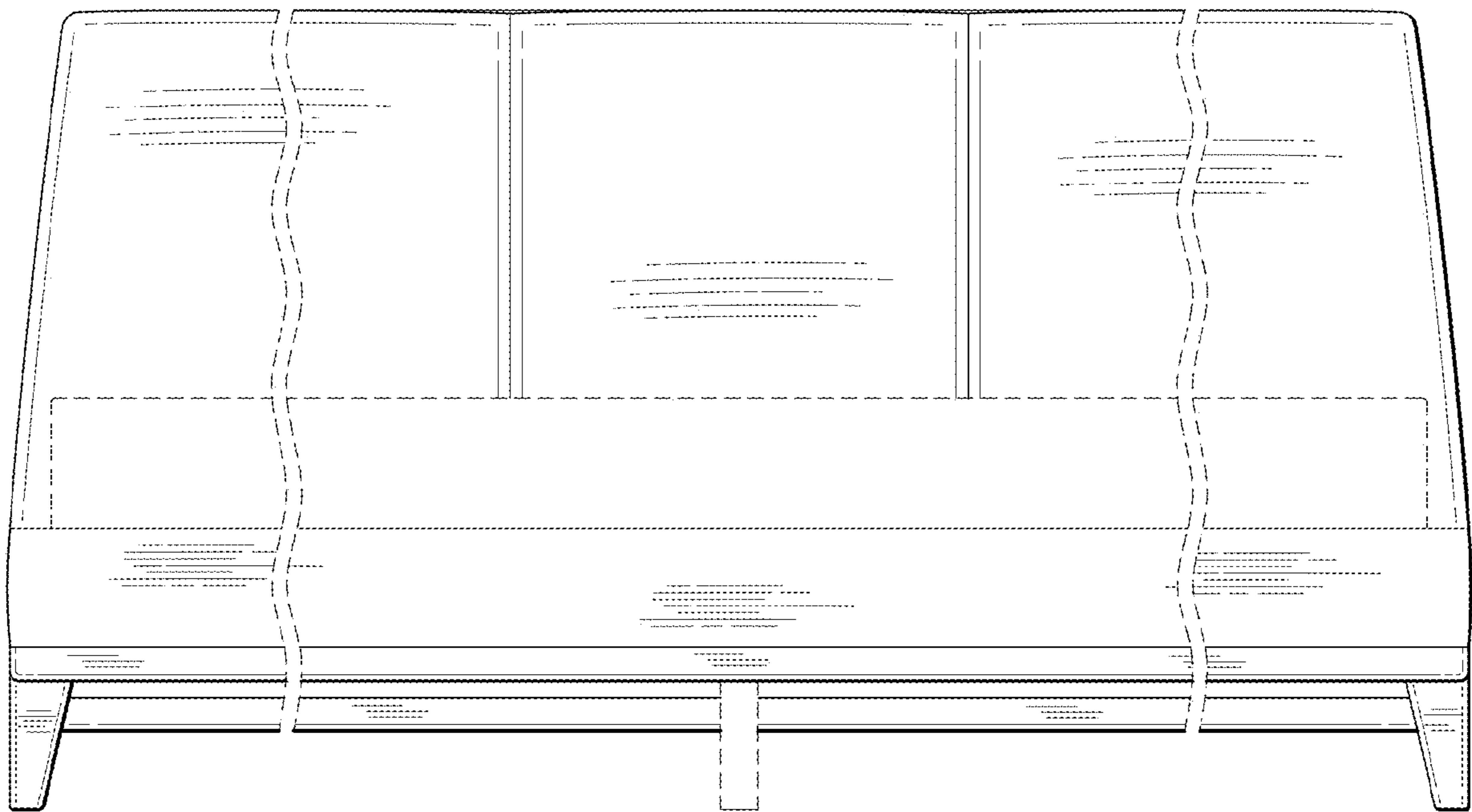


FIG. 9

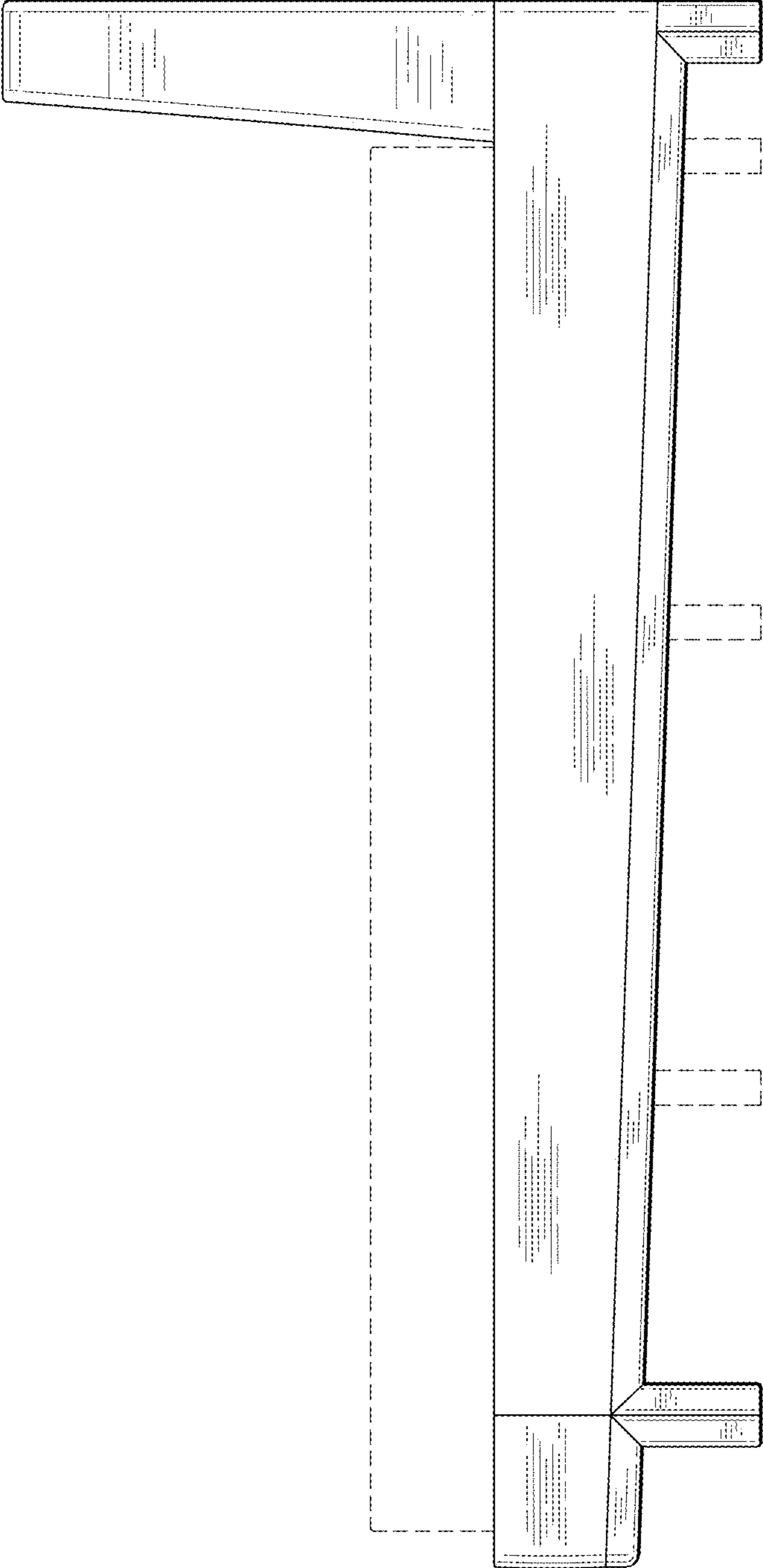


FIG. 10

