



US00D941047S

(12) **United States Design Patent**  
**Bhakta**

(10) **Patent No.:** **US D941,047 S**  
(45) **Date of Patent:** **\*\* Jan. 18, 2022**

(54) **BACK AND SEAT FOR A CHAIR**

- (71) Applicant: **Jayesh Bhakta**, Corona, CA (US)
  - (72) Inventor: **Jayesh Bhakta**, Corona, CA (US)
  - (\*\*) Term: **15 Years**
  - (21) Appl. No.: **29/740,052**
  - (22) Filed: **Jun. 30, 2020**
  - (51) **LOC (13) Cl.** ..... **06-01**
  - (52) **U.S. Cl.**  
USPC ..... **D6/366**
  - (58) **Field of Classification Search**  
USPC ..... D6/334, 364–367, 374–376, 379, 380,  
D6/716, 716.1, 716.7  
CPC ..... A47C 1/03255; A47C 3/18; A47C 3/20;  
A47C 3/26; A47C 5/04; A47C 5/06;  
A47C 5/08; A47C 7/18; A47C 7/24;  
A47C 7/36; A47C 7/40; A47C 7/46;  
A47C 7/54
- See application file for complete search history.

(56) **References Cited**

**U.S. PATENT DOCUMENTS**

D769,633	S	*	10/2016	Mezzera	.....	D6/366
D769,635	S	*	10/2016	Mezzera	.....	D6/366
D769,636	S	*	10/2016	Mezzera	.....	D6/366
D770,820	S	*	11/2016	Mezzera	.....	D6/716
D809,812	S	*	2/2018	Mao	.....	D6/365
D879,524	S	*	3/2020	Huang	.....	D6/716
D902,615	S	*	11/2020	Palma	.....	D6/366
D911,055	S	*	2/2021	Wang	.....	D6/366
2014/0062153	A1	*	3/2014	Grove	.....	A47C 3/0252 297/284.4
2015/0164232	A1	*	6/2015	Mezzera	.....	A47C 7/46 297/284.4
2018/0035805	A1	*	2/2018	Mezzera	.....	A47C 4/021
2019/0143856	A1	*	5/2019	O’Hara	.....	B60N 2/646 601/148

**OTHER PUBLICATIONS**

True Innovations. <https://www.trueinnovations.com/product/office/la-z-boy-winston-big-and-tall-executive-chair.html>. “La-Z-Boy® Winston Big and Tall Executive Chair”. Jul. 2016 (Year: 2016).\*

True Innovations. <https://www.trueinnovations.com/product/office/serta-manager-chair.html>. “Serta® Manager Chair”. Date Unknown: Viewed Jul. 2021 (Year: 2021).\*

Wayfair. <https://www.wayfair.com/furniture/pdp/lorell-wellness-by-design-executive-chair-lro1987.html>. “Wellness by Design Executive Chair”. Date Unknown: Viewed Jul. 2021 (Year: 2021).\*

\* cited by examiner

*Primary Examiner* — R. Johnson

(74) *Attorney, Agent, or Firm* — Morland C. Fischer

(57) **CLAIM**

The ornamental design for a back and seat for a chair, as shown and described.

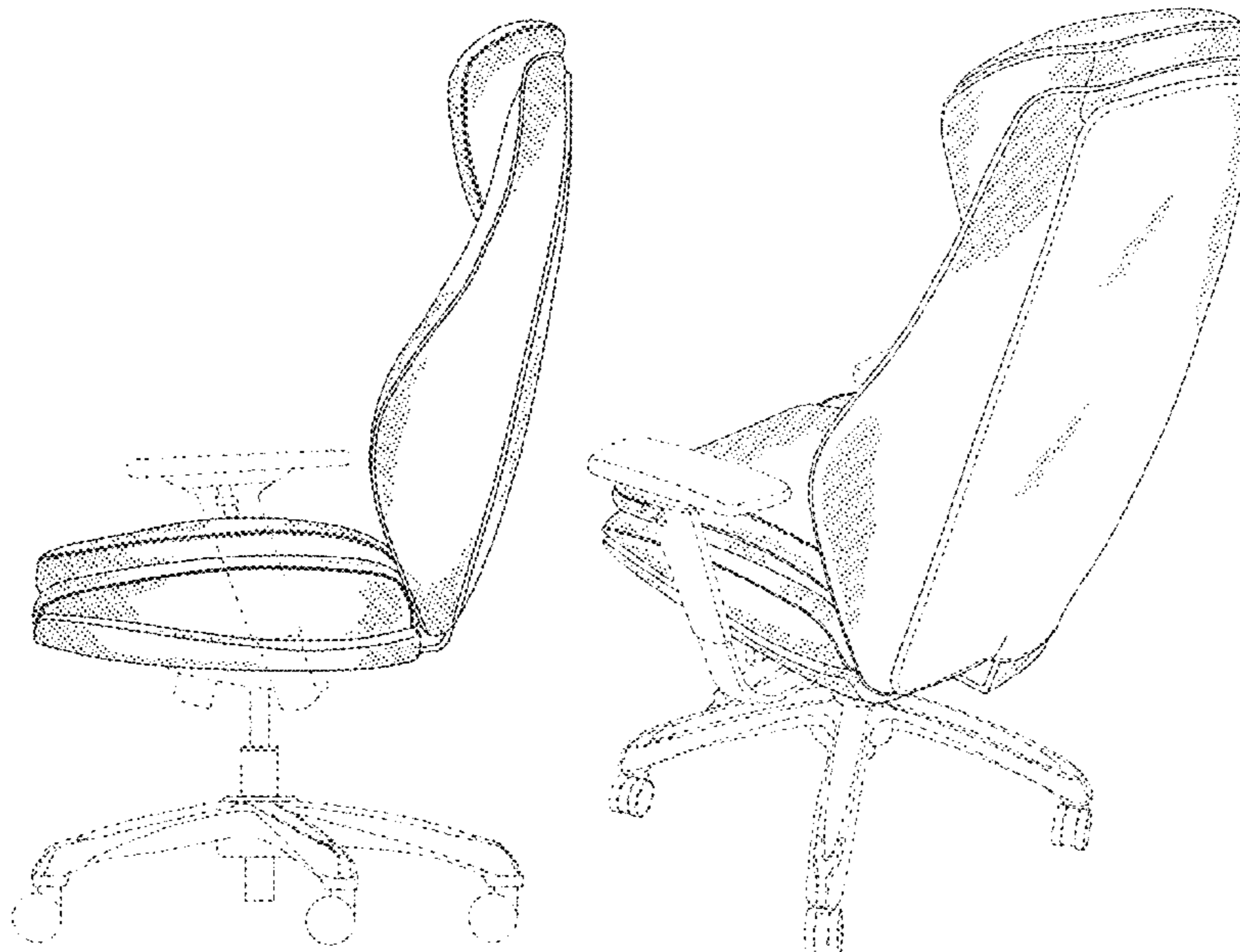
**DESCRIPTION**

FIG. 1 is a top, right, front perspective view of a back and seat for a chair showing my new design;  
 FIG. 2 is a top, left, rear perspective view thereof;  
 FIG. 3 is a front elevational view thereof;  
 FIG. 4 is a right side elevational view thereof;  
 FIG. 5 is a rear elevational view thereof;  
 FIG. 6 is a left side elevational view thereof;  
 FIG. 7 is a top plan view thereof; and,  
 FIG. 8 is a bottom plan view thereof.

The long broken lines in the figures indicate environment that forms no part of the claimed design. The shorter broken lines in the figures represent stitching.

The short broken lines in the figures are understood to represent stitching.

**1 Claim, 7 Drawing Sheets**



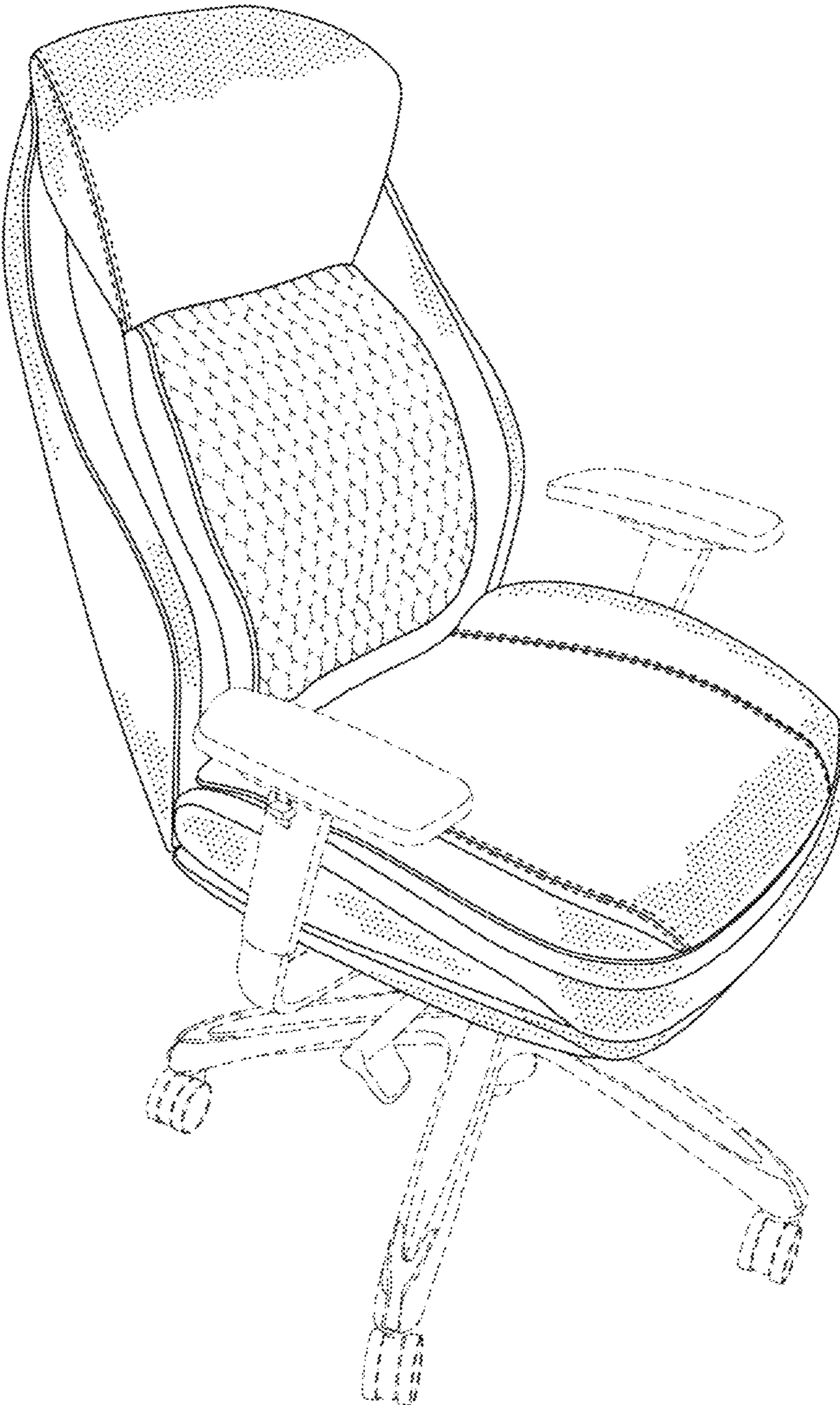


FIG. 1

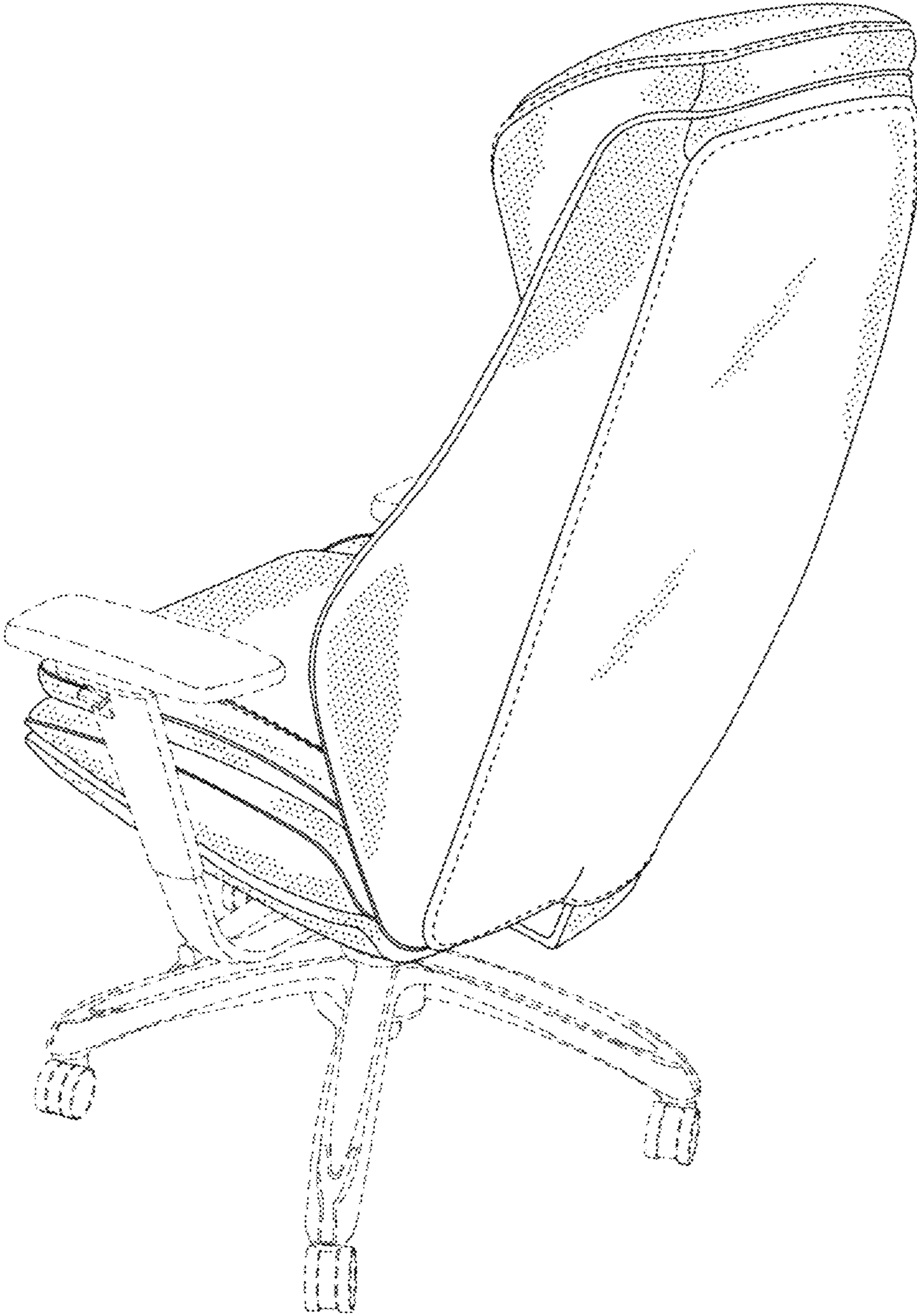


FIG. 2

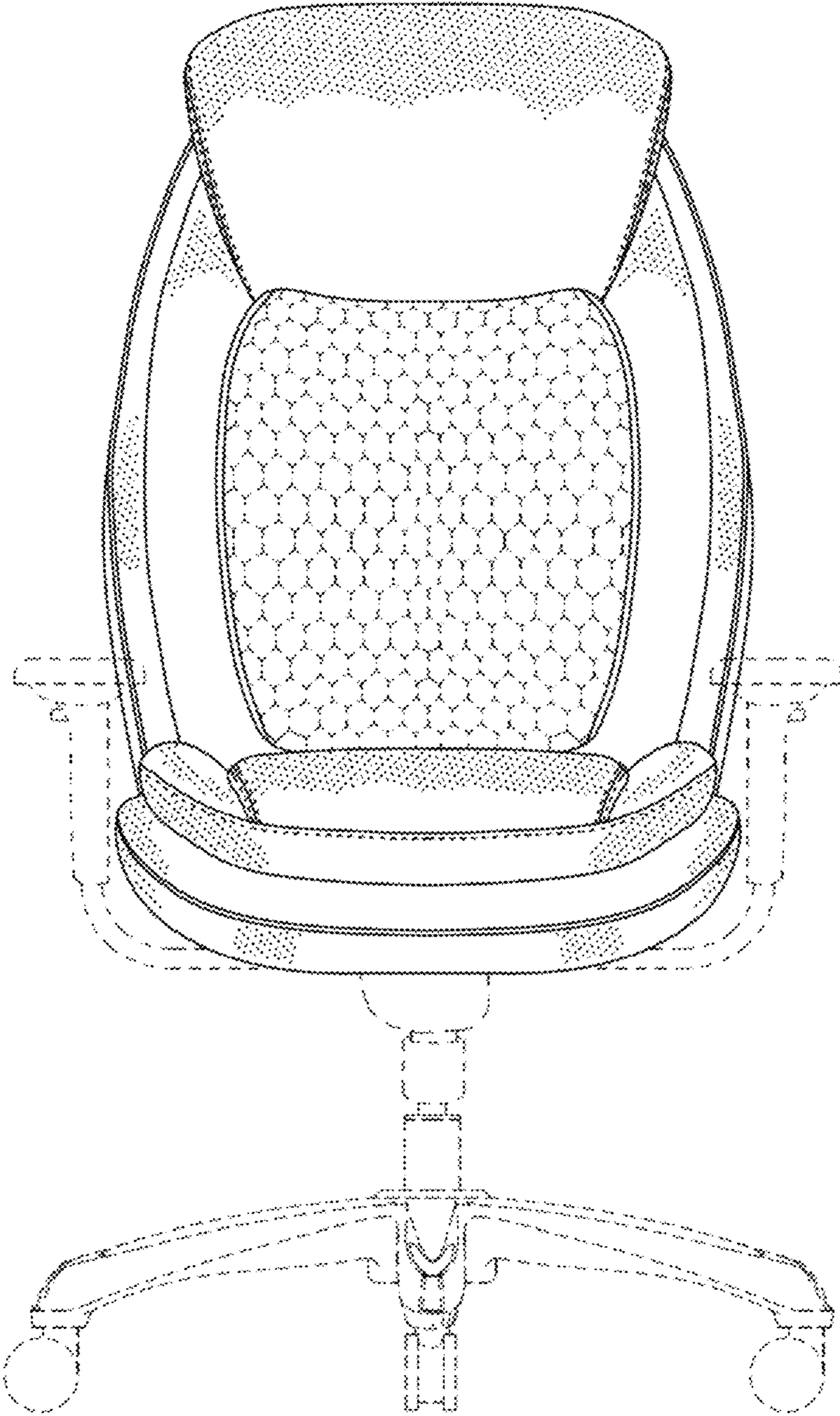


FIG. 3

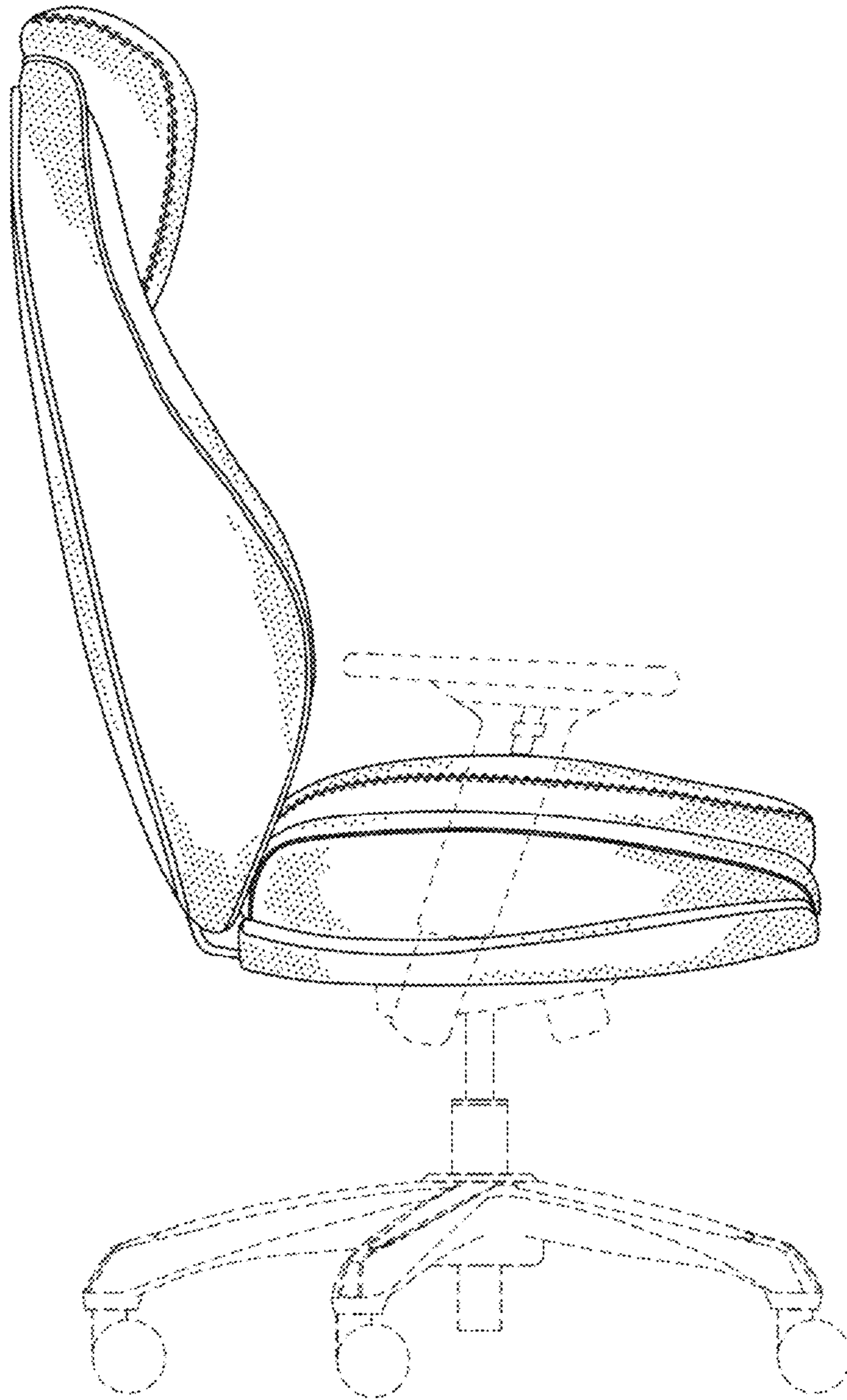


FIG. 4

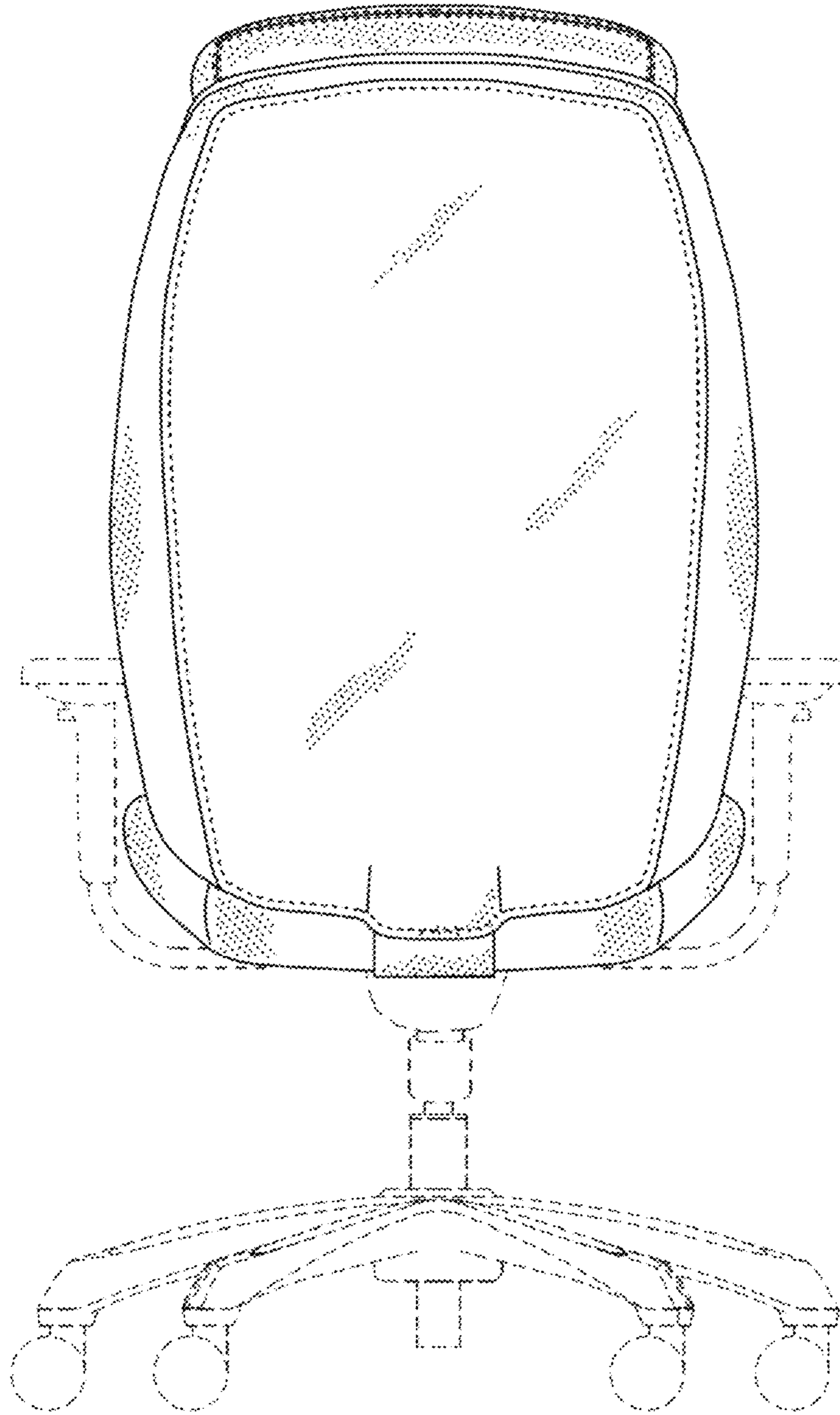


FIG. 5

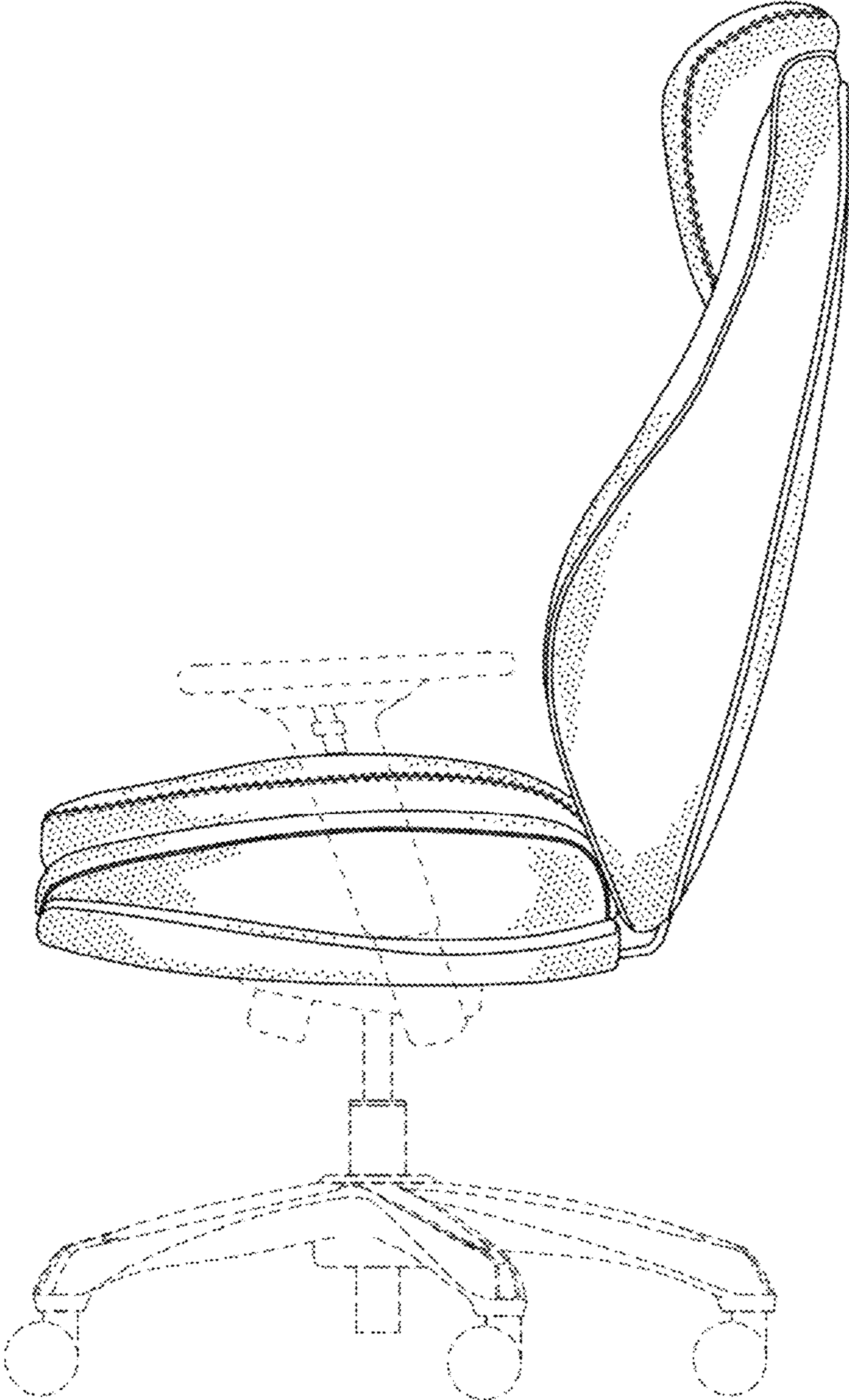


FIG. 6

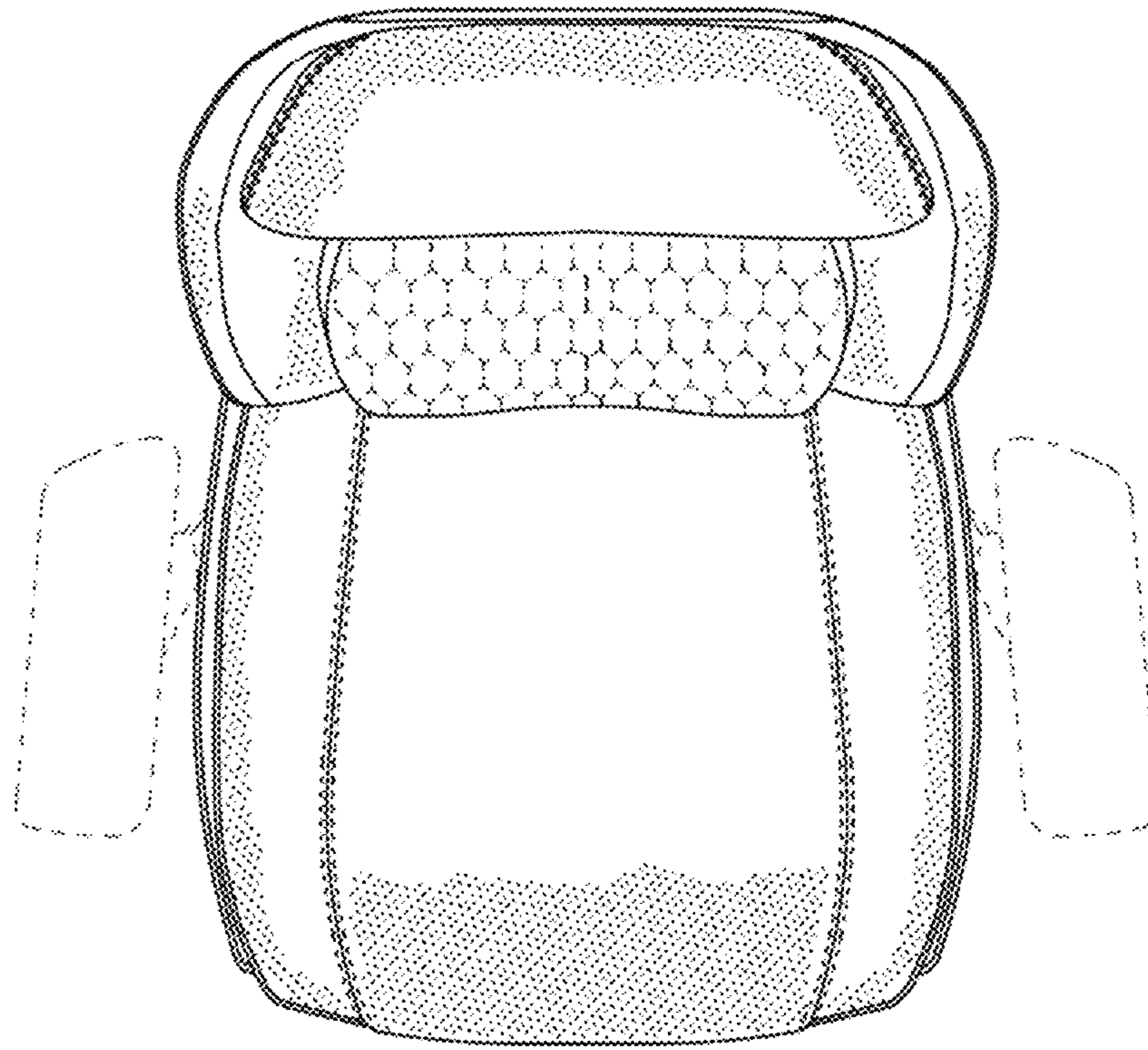


FIG. 7

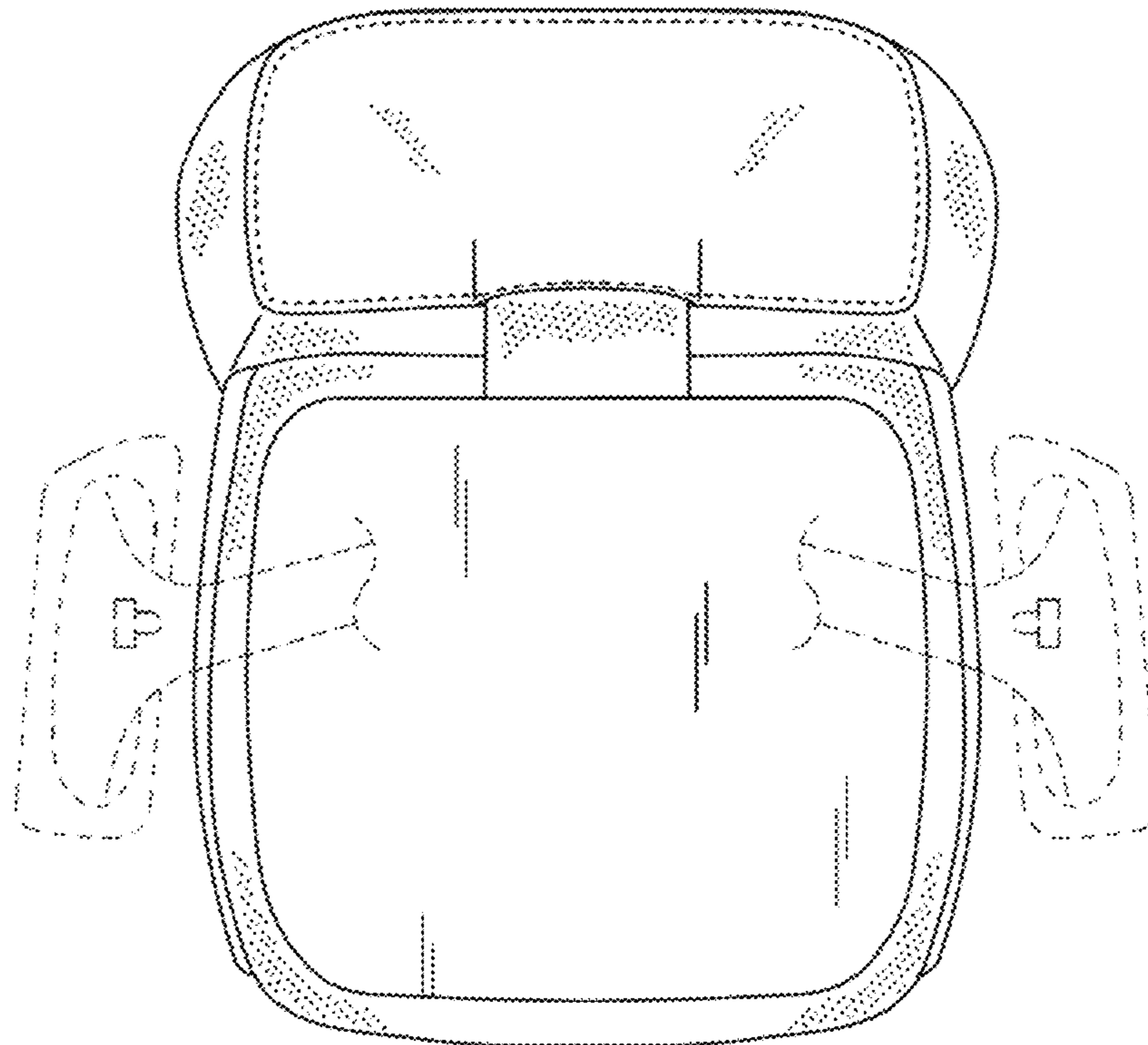


FIG. 8