



US00D941046S

(12) **United States Design Patent** (10) **Patent No.:** **US D941,046 S**
Cai et al. (45) **Date of Patent:** **** Jan. 18, 2022**

(54) **GAMING CHAIR**

(56) **References Cited**

(71) Applicant: **NINGBO YOURLITE IMPORT & EXPORT CO., LTD.**, Ningbo (CN)

U.S. PATENT DOCUMENTS

(72) Inventors: **Xiaoyu Cai**, Ningbo (CN); **Jinbin Wang**, Ningbo (CN)

D201,129 S *	5/1965	I	D6/360
D542,547 S *	5/2007	Su	D6/366
D549,475 S *	8/2007	Su	D6/356
D811,793 S *	3/2018	Palma	D6/716
D847,526 S *	5/2019	Wang	D6/366
D878,785 S *	3/2020	Qi	D6/366
D910,326 S *	2/2021	Petrucelli	D6/360
D931,638 S *	9/2021	Manzoni	D6/356

(73) Assignee: **NINGBO YOURLITE IMPORT & EXPORT CO., LTD.**, Ningbo (CN)

(**) Term: **15 Years**

* cited by examiner

(21) Appl. No.: **29/752,126**

Primary Examiner — Kevin K Rudzinski

(22) Filed: **Sep. 25, 2020**

Assistant Examiner — Paul D Bohannon

(51) **LOC (13) Cl.** **06-01**

(74) *Attorney, Agent, or Firm* — Bayramoglu Law Offices LLC

(52) **U.S. Cl.**

USPC **D6/365**

(58) **Field of Classification Search**

(57) **CLAIM**

USPC D6/356, 364, 365, 366, 367, 379, 716,
D6/716.4, 716.7, 360, 380; D21/521, 695

The ornamental design for a gaming chair, as shown and described.

CPC A47C 1/03294; A47C 1/034; A47C 1/032;
A47C 1/031; A47C 1/023; A47C 3/029;

DESCRIPTION

A47C 3/027; A47C 3/04; A47C 3/02;
A47C 3/12; A47C 4/03; A47C 4/04;

FIG. 1 is a front perspective view of a gaming chair showing our new design;

A47C 5/12; A47C 7/029; A47C 7/02;
A47C 7/18; A47C 7/28; A47C 7/32;

FIG. 2 is a front view thereof;

A47C 7/38; A47C 7/40; A47C 7/44;
A47C 7/46; A47C 7/54; A47C 7/425;

FIG. 3 is a rear view thereof;

A47C 7/445; A47C 31/023; A47C 31/04;
B60R 2/0284; B60R 2/062; B60R 2/22;

FIG. 4 is a left side view thereof;

B60R 2/001; B60R 2/24; B60R 2/28;
B60R 2/58; B60R 2/64; B60R 2/68;

FIG. 5 is a right side view thereof;

B60R 2/80; B60R 2/99; B60R 2/245;
B60R 2/643; B60R 2/646; B60R 2/665;

FIG. 6 is a top view thereof; and,

B60R 2/686; B60R 2/688; B60R 2/803;
B60R 2/986; B60R 2/914; B60R 2/995;

FIG. 7 is a rear perspective view thereof.

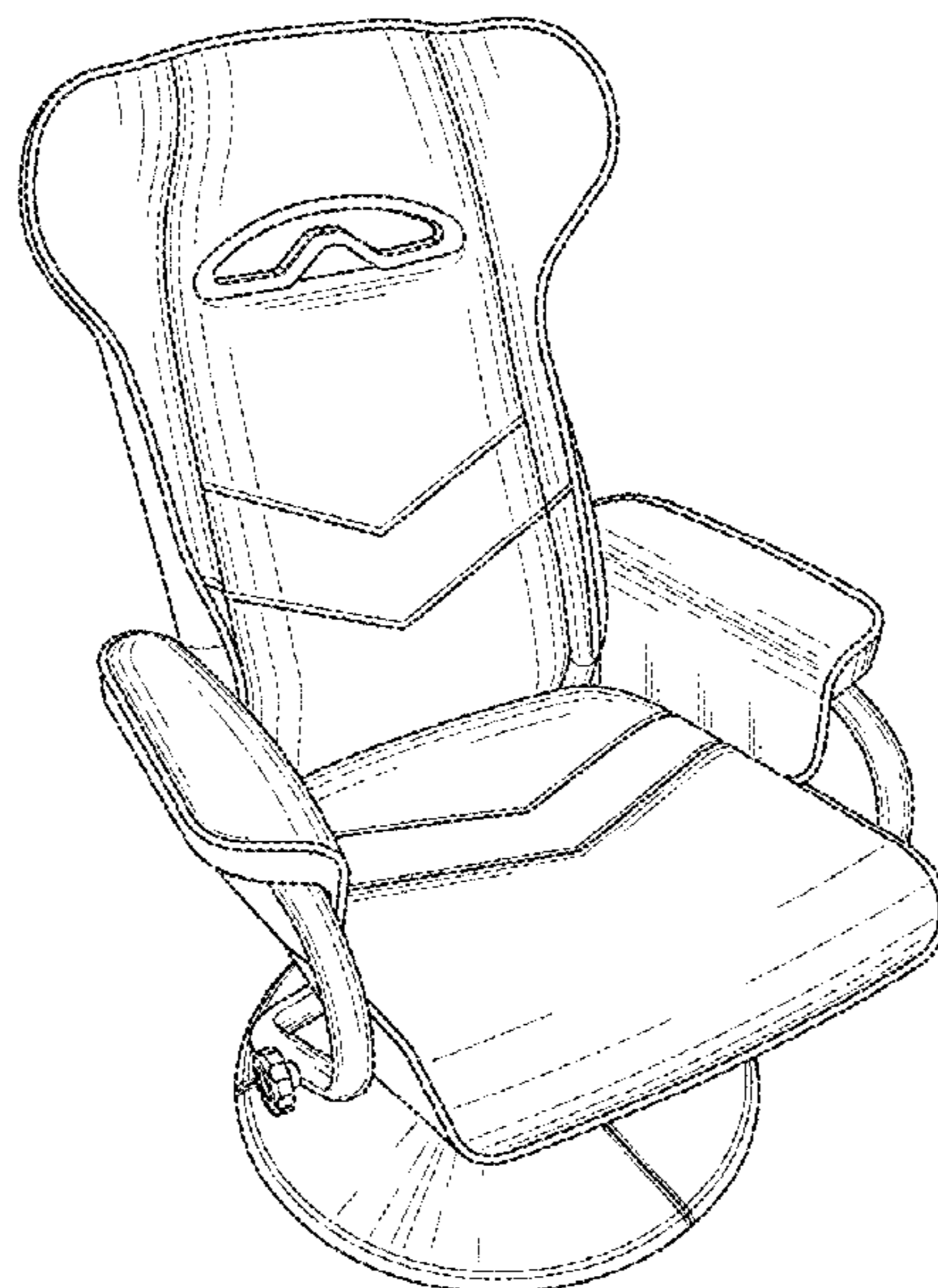
F16B 2/08; F16B 45/00; Y10S 297/01;
A47D 13/10

A bottom view is omitted since the bottom view is invisible in normal use.

The broken lines shown in the drawings are for the purpose of illustrating portions of the gaming chair that form no part of the claimed design.

See application file for complete search history.

1 Claim, 7 Drawing Sheets



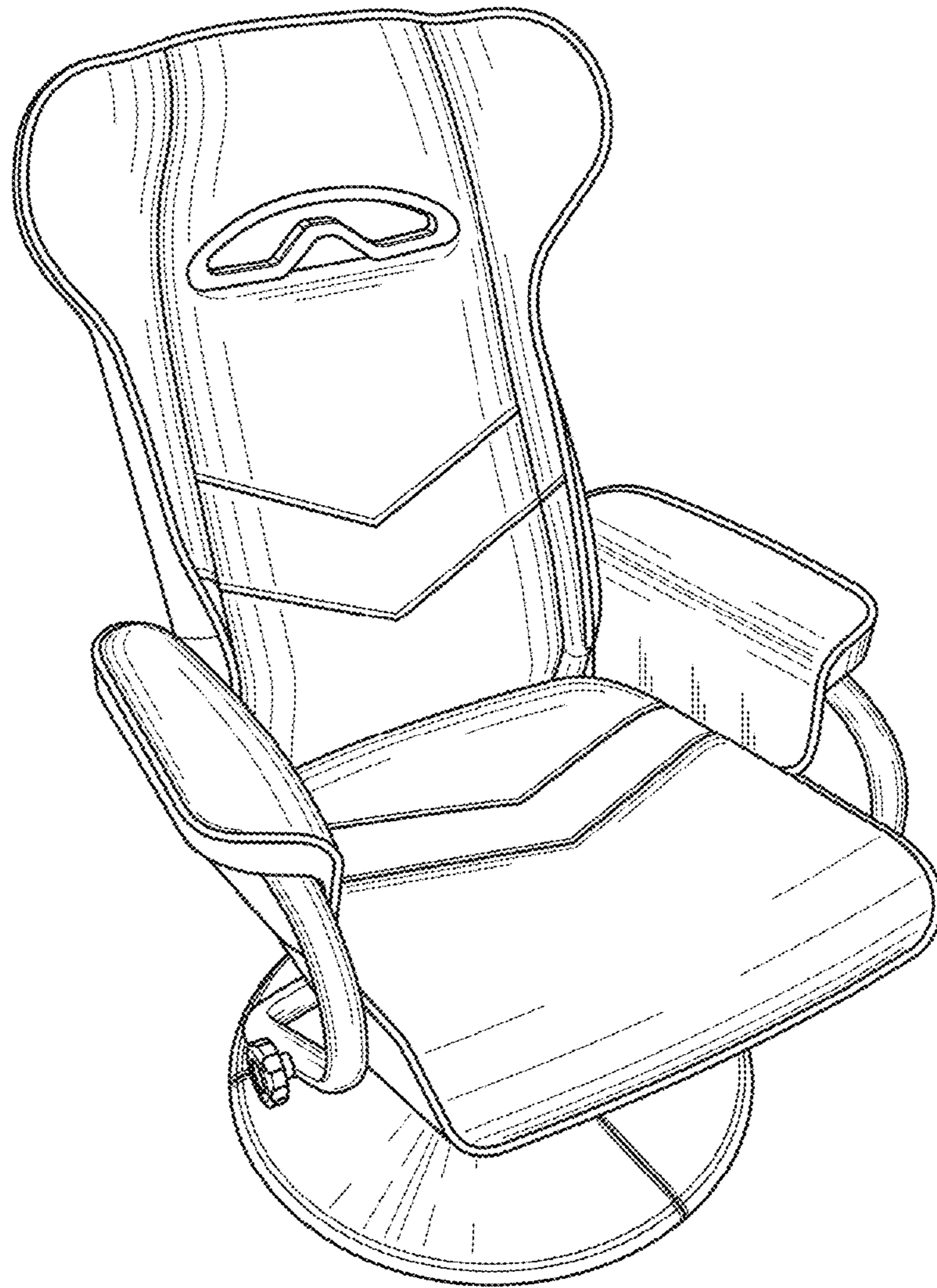


FIG. 1

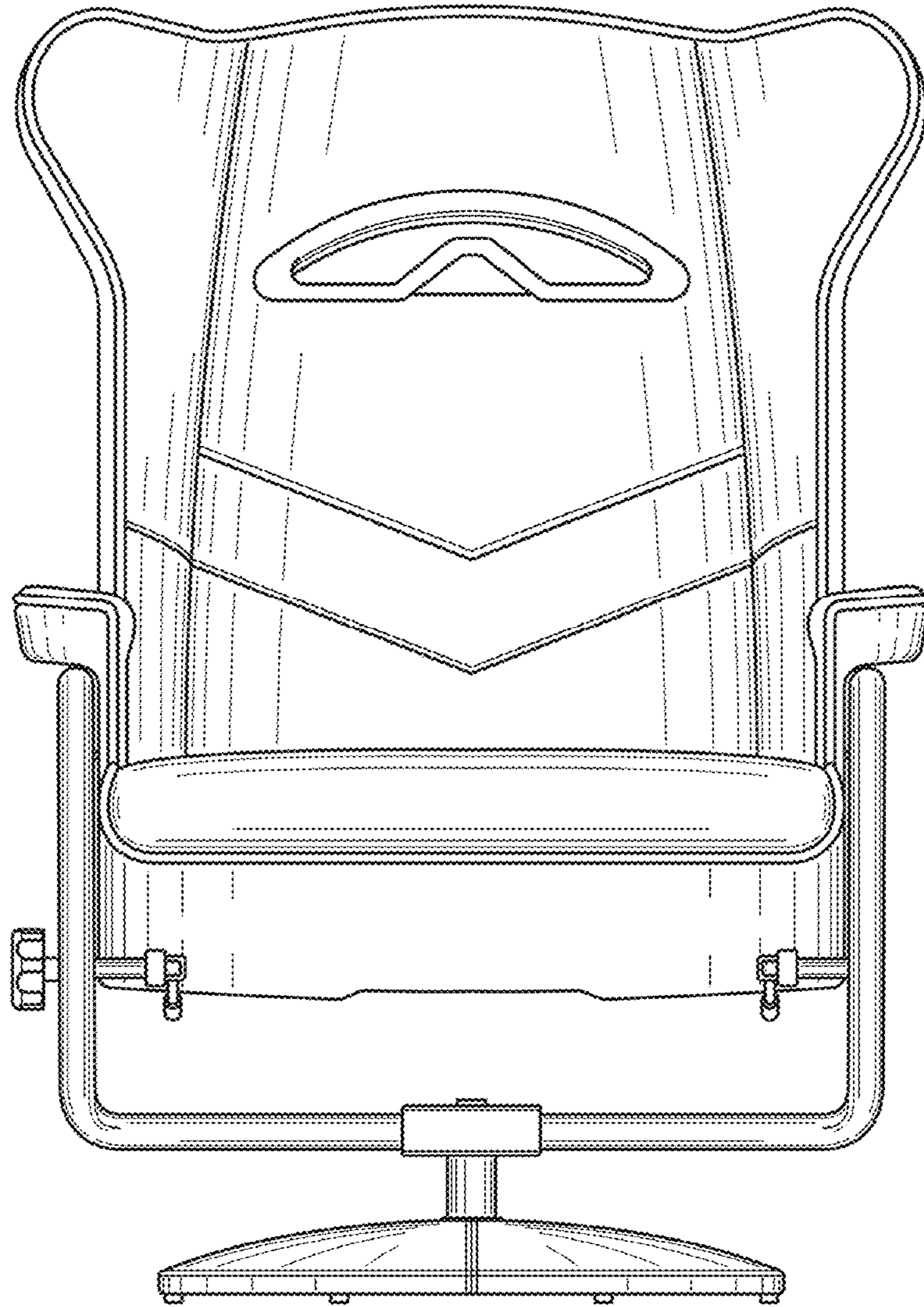


FIG. 2

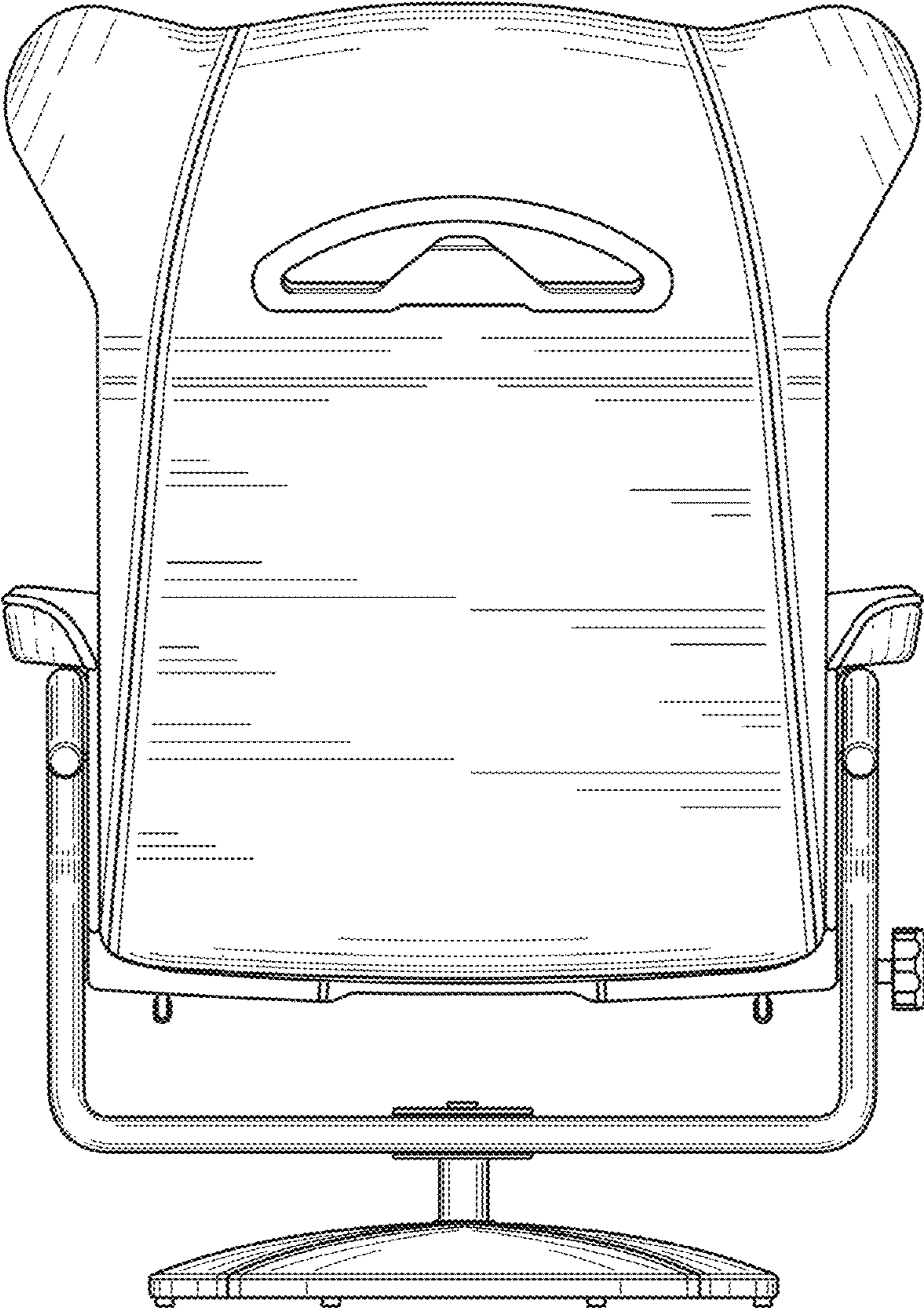


FIG. 3

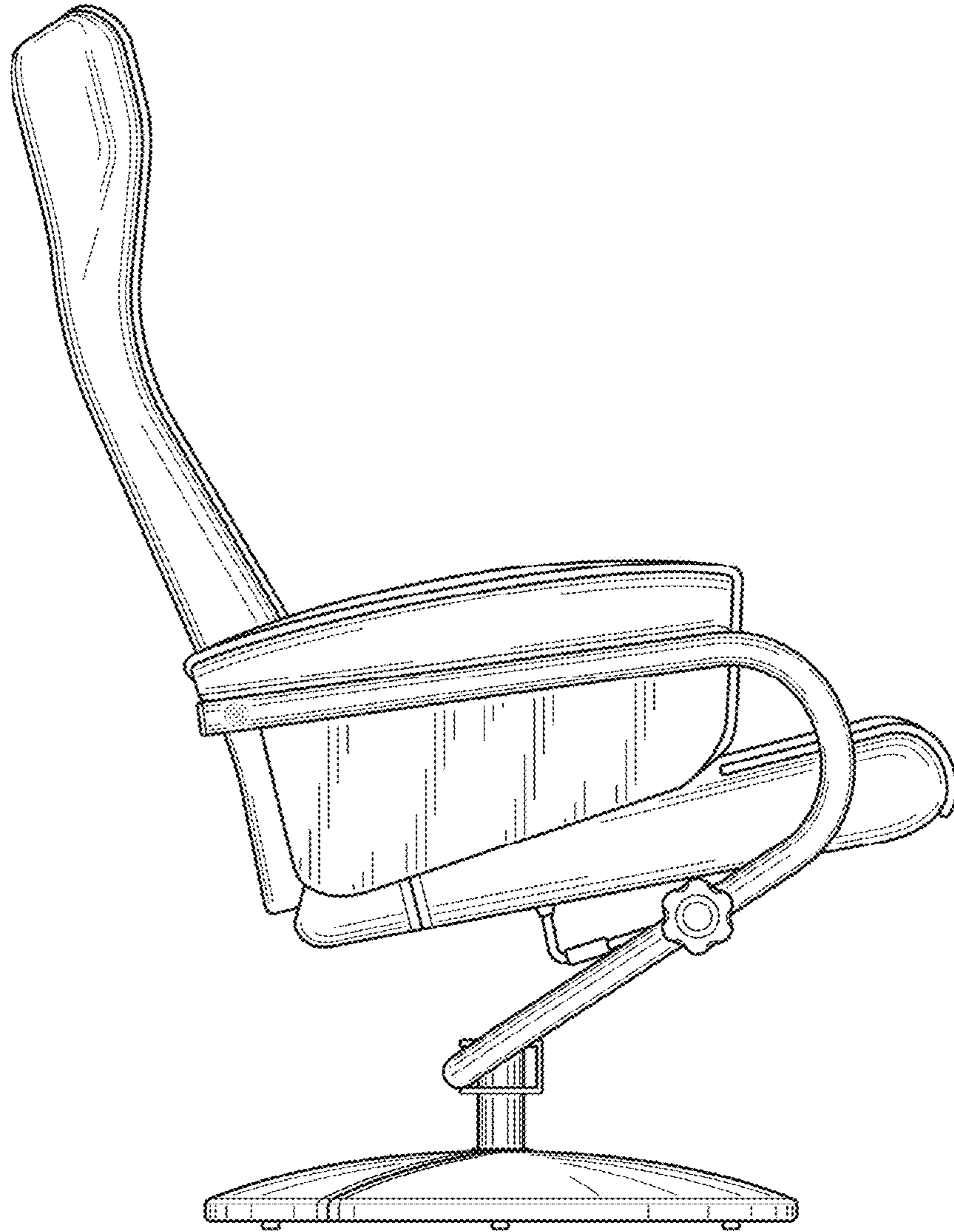


FIG. 4

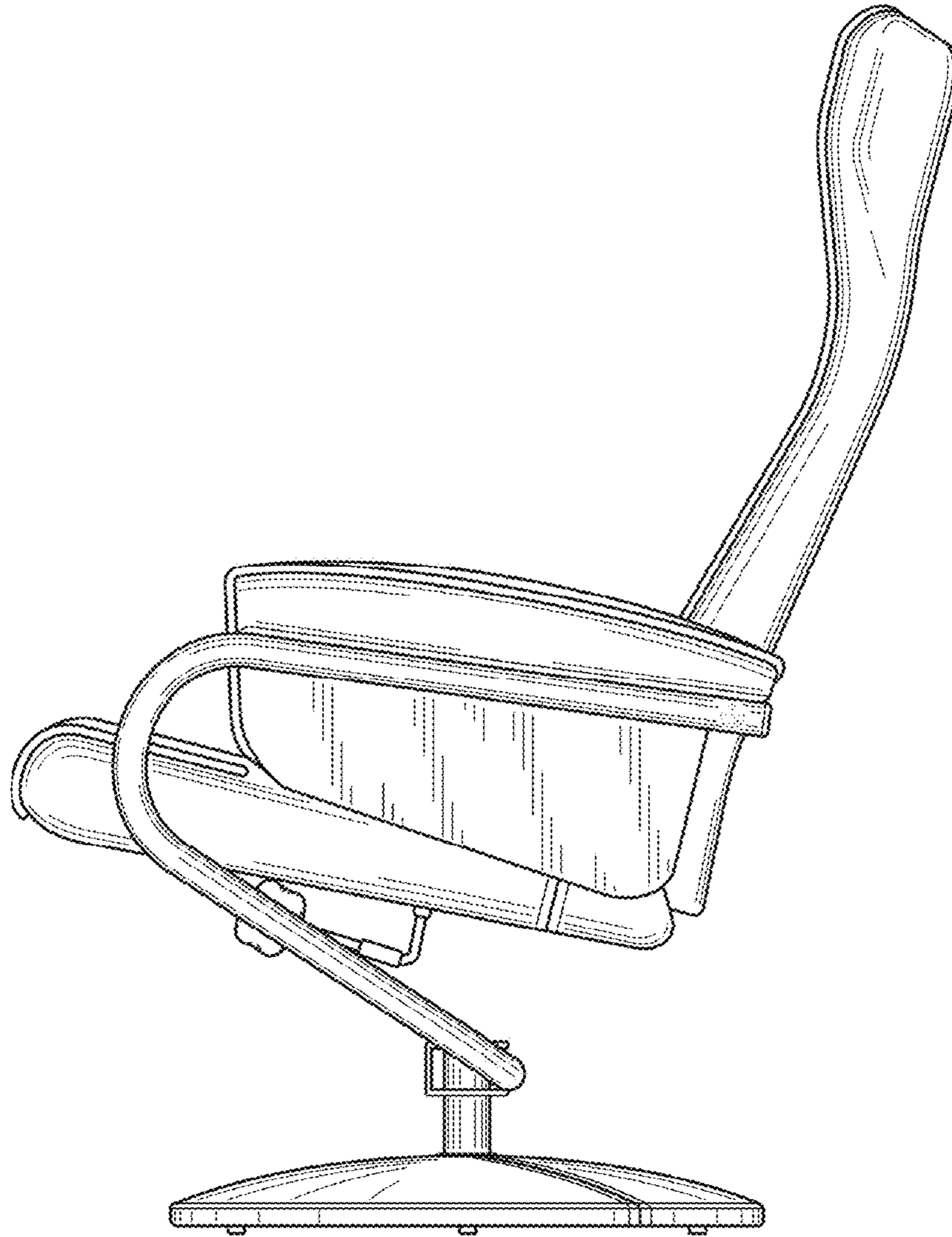


FIG. 5

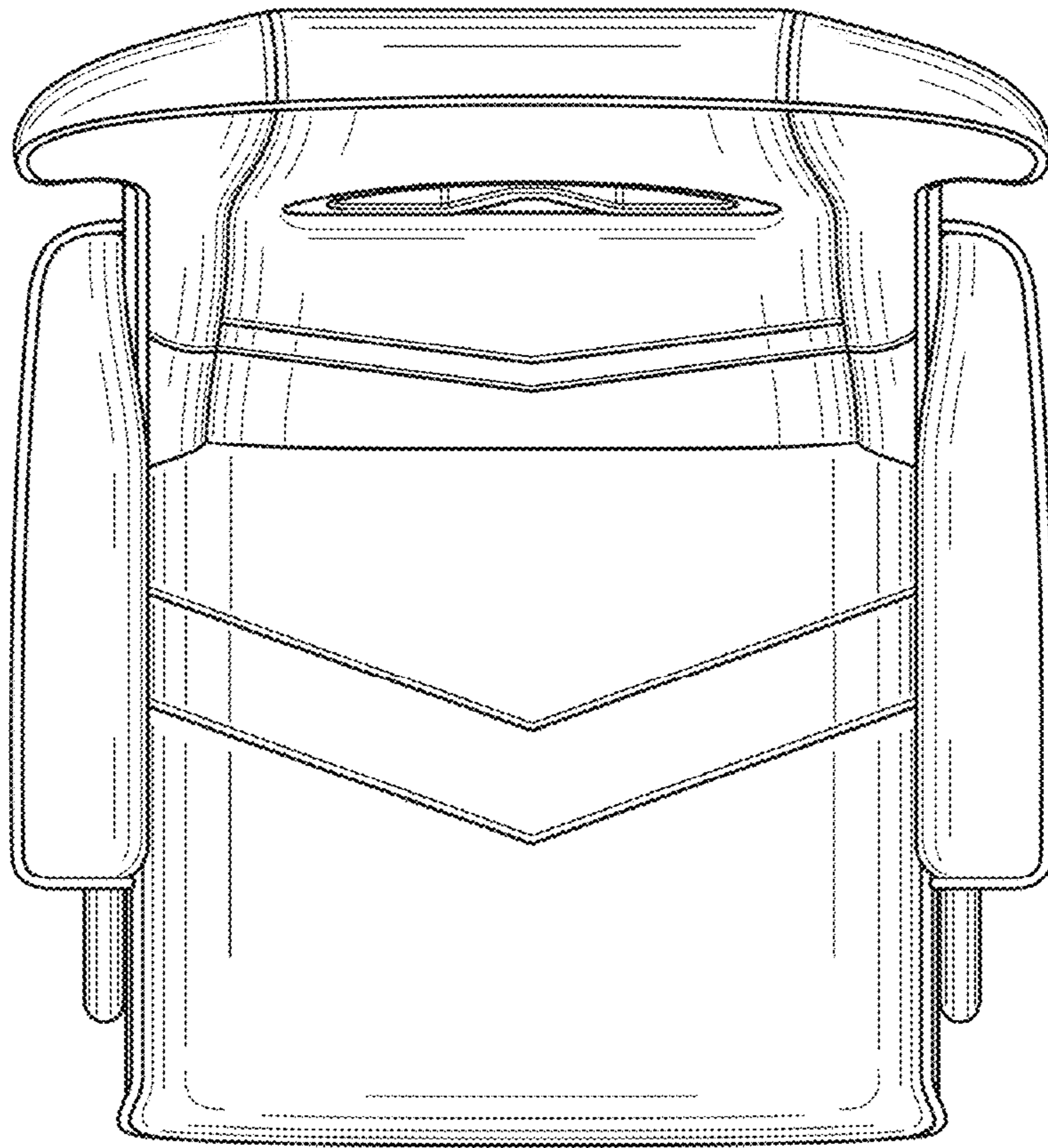


FIG. 6

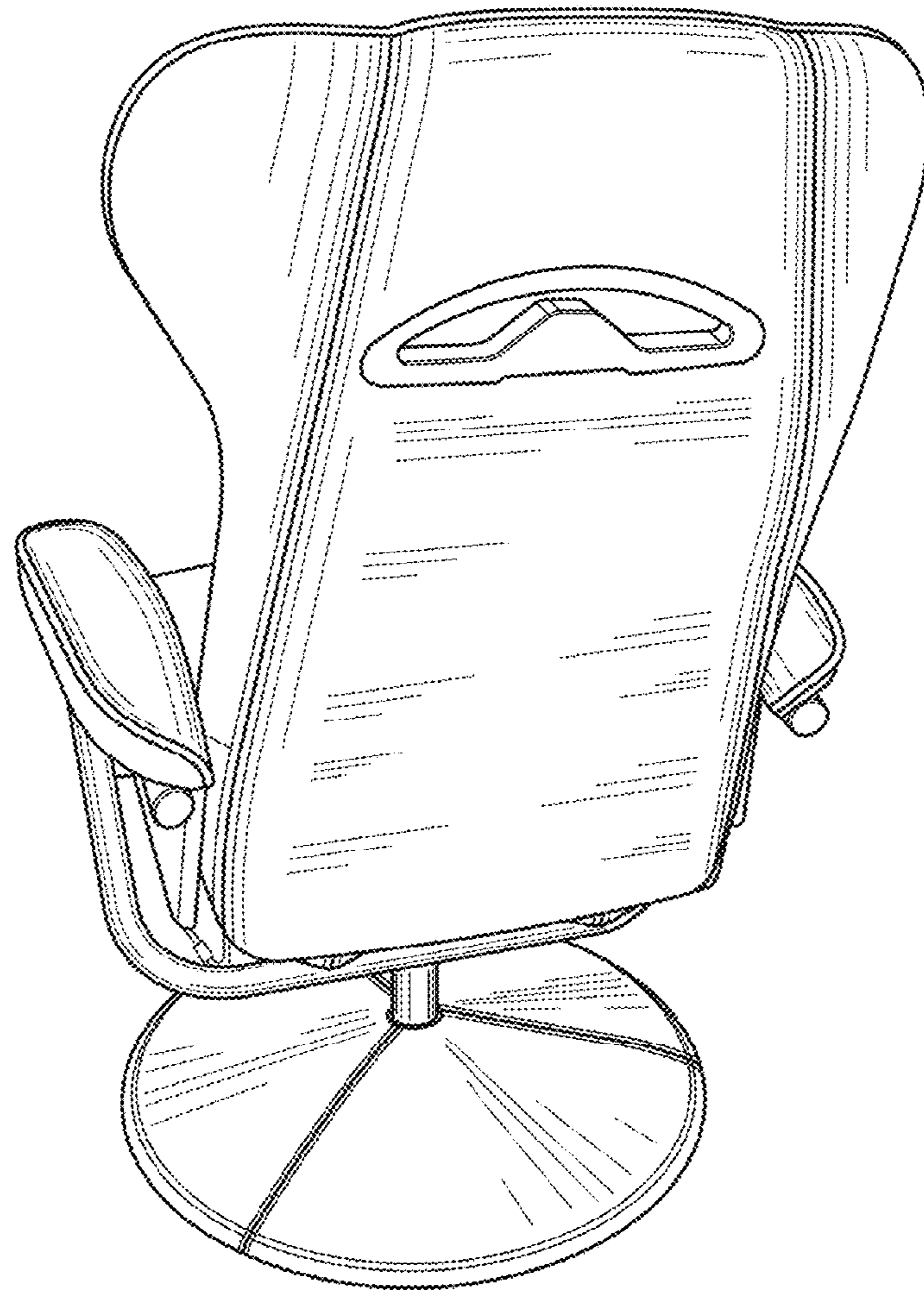


FIG. 7