



US00D941043S

(12) **United States Design Patent**  
**Park**

(10) **Patent No.:** **US D941,043 S**

(45) **Date of Patent:** **\*\* Jan. 18, 2022**

(54) **ROBE HOOK**

(71) Applicant: **DELTA FAUCET COMPANY,**  
Indianapolis, IN (US)

(72) Inventor: **Maris Park,** McCordsville, IN (US)

(73) Assignee: **DELTA FAUCET COMPANY,**  
Indianapolis, IN (US)

(\*\*) Term: **15 Years**

(21) Appl. No.: **29/737,752**

(22) Filed: **Jun. 11, 2020**

(51) **LOC (13) Cl.** ..... **06-08**

(52) **U.S. Cl.**  
USPC ..... **D6/323**

(58) **Field of Classification Search**  
USPC ..... D6/315–328, 546; D8/367, 370, 371,  
D8/372, 373, 380; D23/250–252  
CPC ..... A47G 25/32; A47G 25/28; A47G 25/743;  
A47G 25/746; A47G 29/083; A47G  
25/06; A47G 25/0607; A47G 25/10;  
A47G 25/38; A47G 29/08; A47G 1/17;  
A47G 7/044; A47G 29/00  
See application file for complete search history.

(56) **References Cited**

**U.S. PATENT DOCUMENTS**

D287,816 S \* 1/1987 Chasen ..... 248/205.3  
D330,636 S \* 11/1992 Sharpe ..... D6/323

D450,566 S \* 11/2001 Gottwald ..... D6/323  
D466,703 S \* 12/2002 Chou ..... D6/320  
D472,060 S \* 3/2003 Hoernig ..... D6/323  
D541,057 S \* 4/2007 Kirar ..... D6/323  
D798,694 S \* 10/2017 Shoenhair ..... D8/367  
D805,373 S \* 12/2017 Shoenhair ..... D8/367  
D818,353 S \* 5/2018 Sacks ..... D8/367  
D822,468 S \* 7/2018 Shoenhair ..... D8/367  
D856,008 S \* 8/2019 Garland ..... D6/323  
D898,411 S \* 10/2020 Sisto ..... D6/524  
2006/0071137 A1 \* 4/2006 Livingstone ..... F16B 45/00  
248/308

\* cited by examiner

*Primary Examiner* — Lauren R Calve

(74) *Attorney, Agent, or Firm* — Nirav D. Parikh; Edgar  
A. Zarins

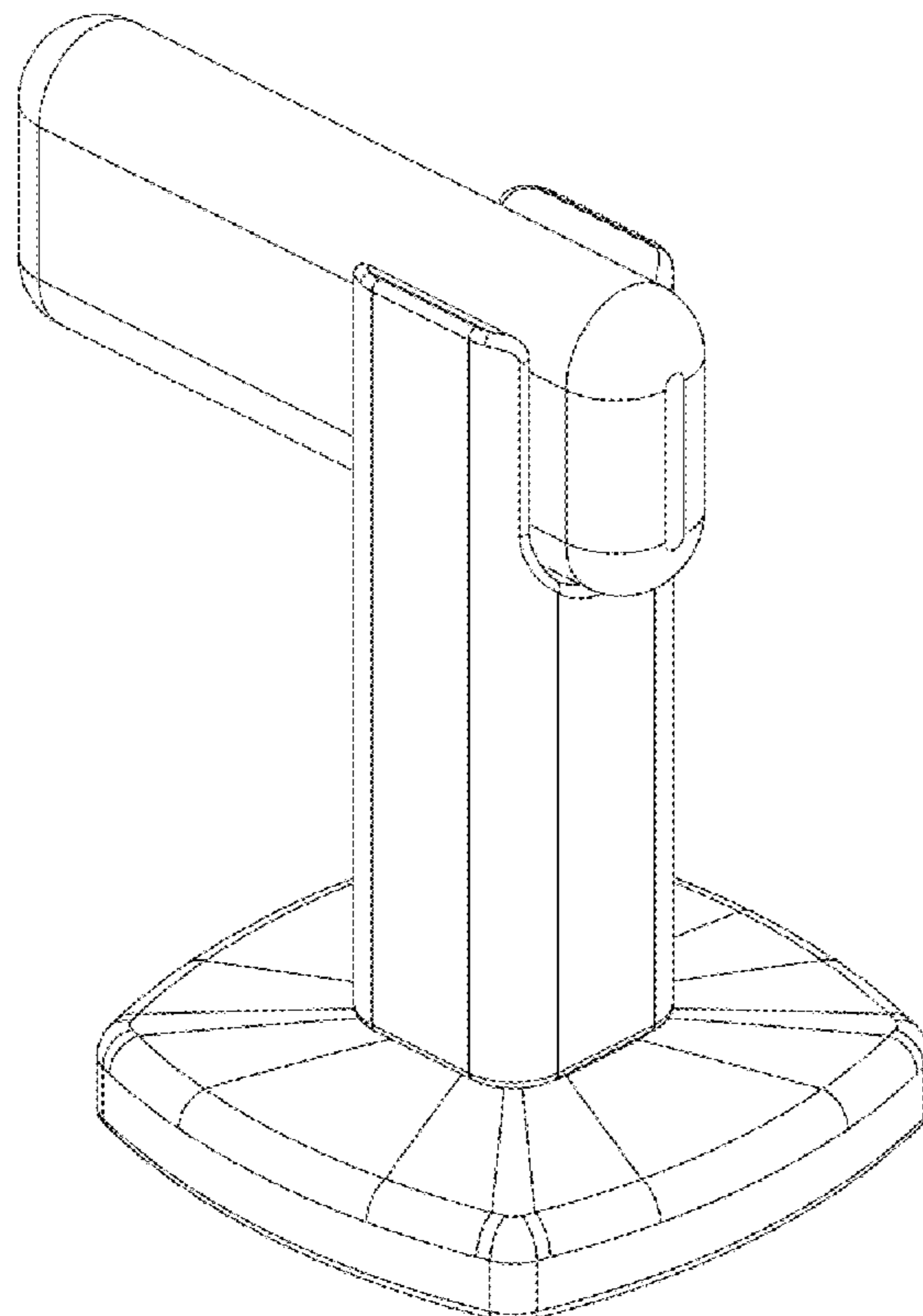
(57) **CLAIM**

The ornamental design for a robe hook, as shown and  
described.

**DESCRIPTION**

FIG. 1 is a front perspective view of a robe hook showing  
my new design;  
FIG. 2 is a rear perspective view thereof;  
FIG. 3 is a front elevational view thereof;  
FIG. 4 is a left side view thereof;  
FIG. 5 is a rear view thereof;  
FIG. 6 is a right side view thereof;  
FIG. 7 is a top plan view thereof; and,  
FIG. 8 is a bottom view thereof.

**1 Claim, 4 Drawing Sheets**



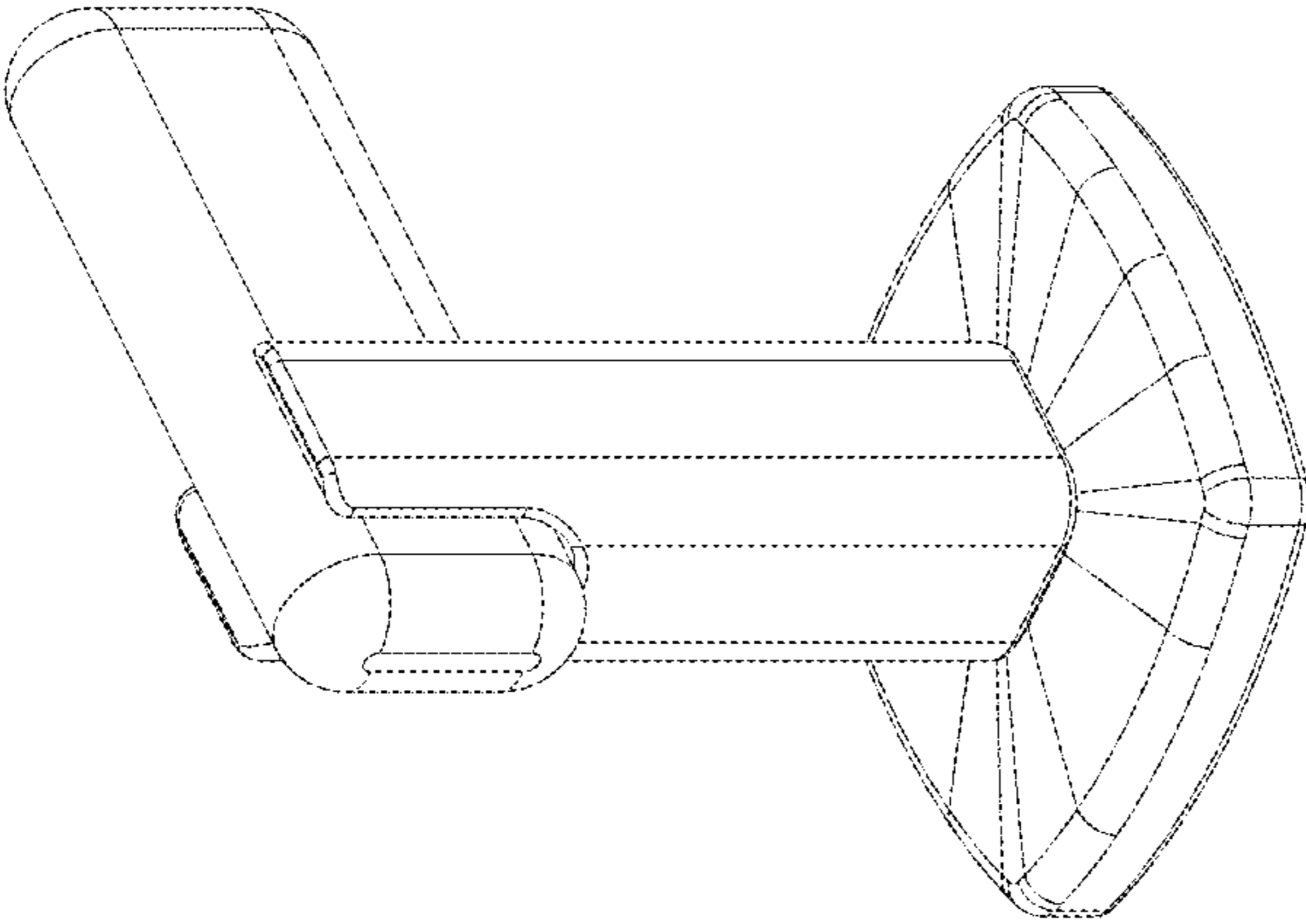


FIG-2

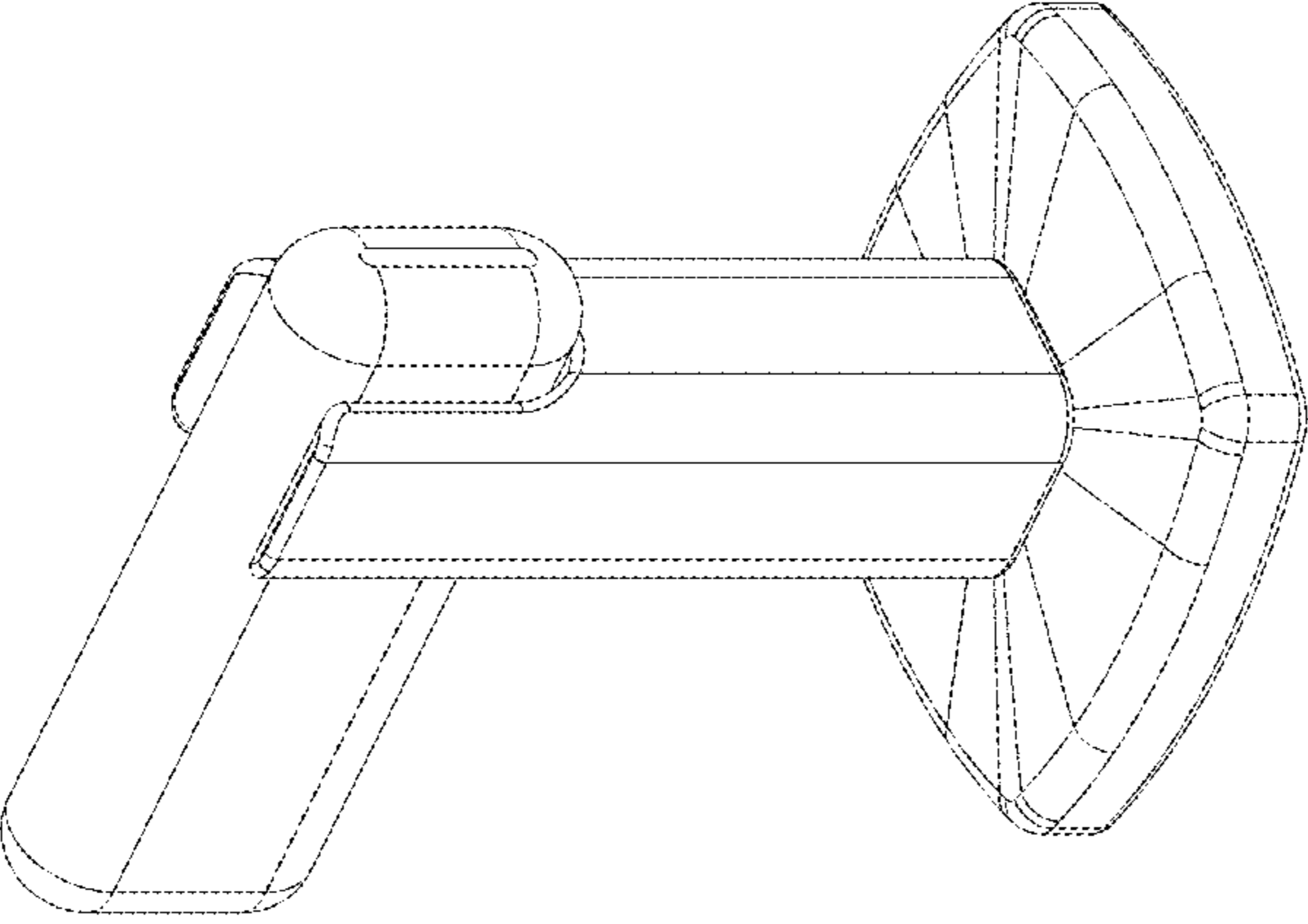


FIG-1

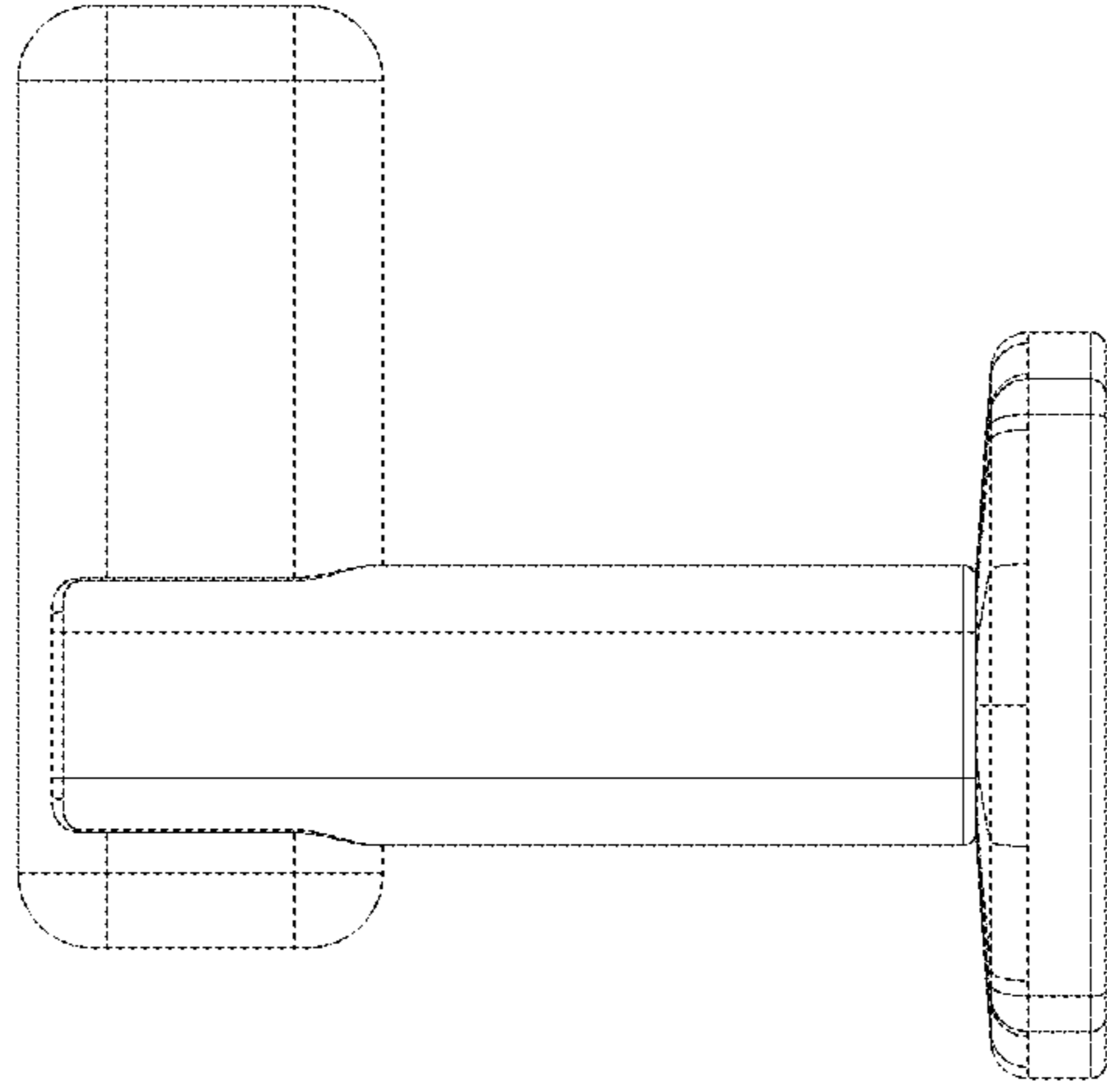


FIG-4

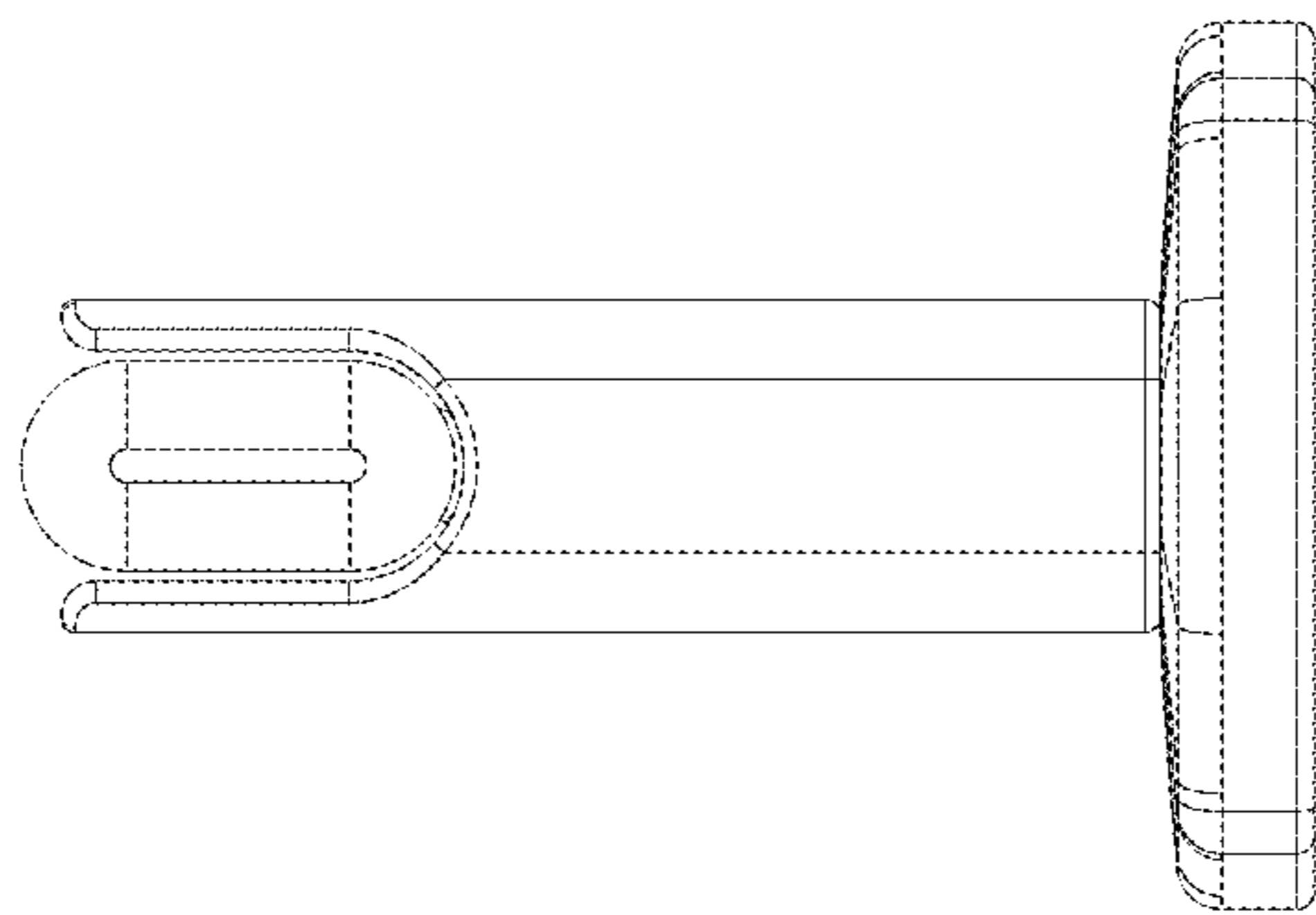


FIG-3

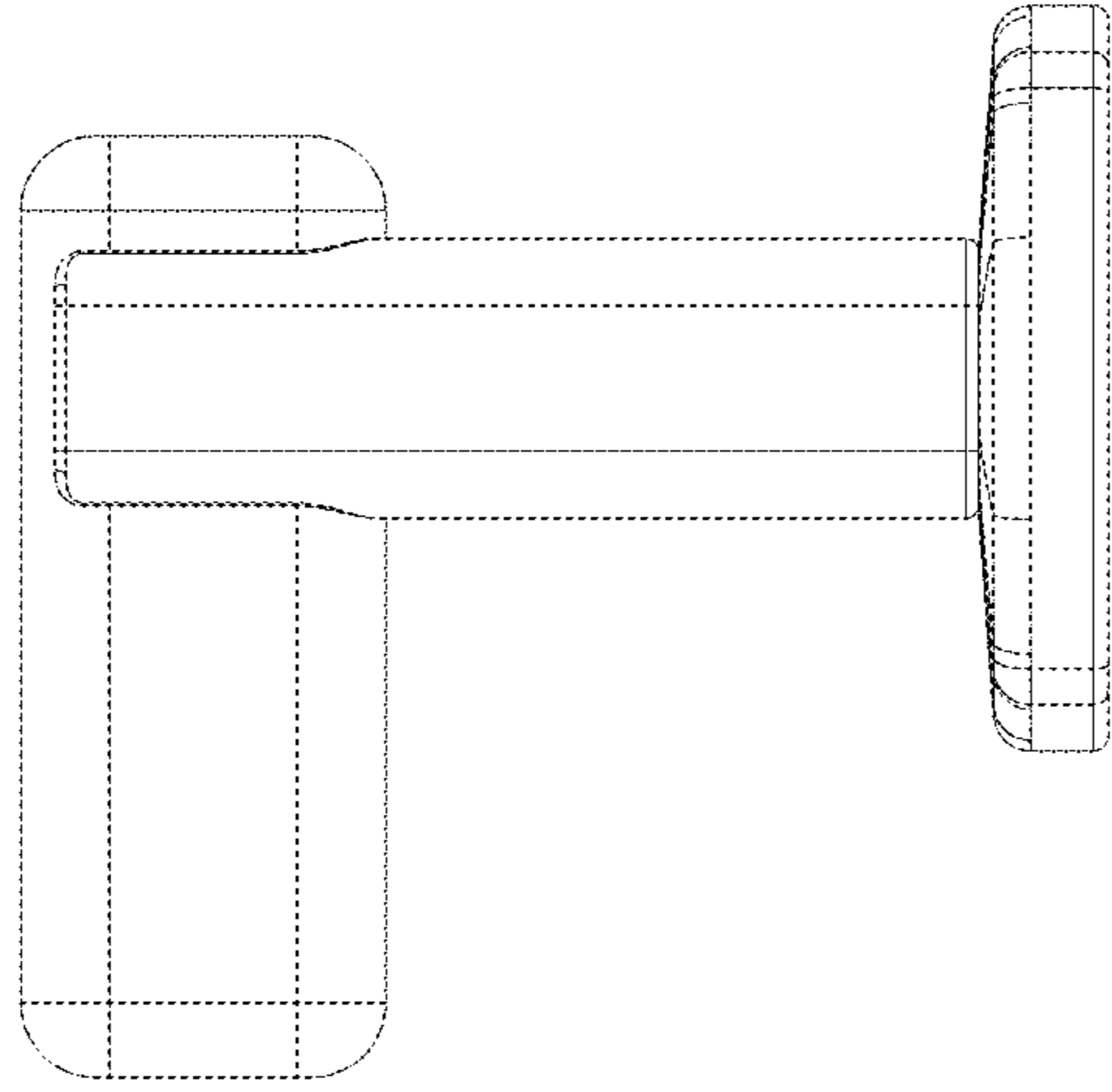


FIG-6

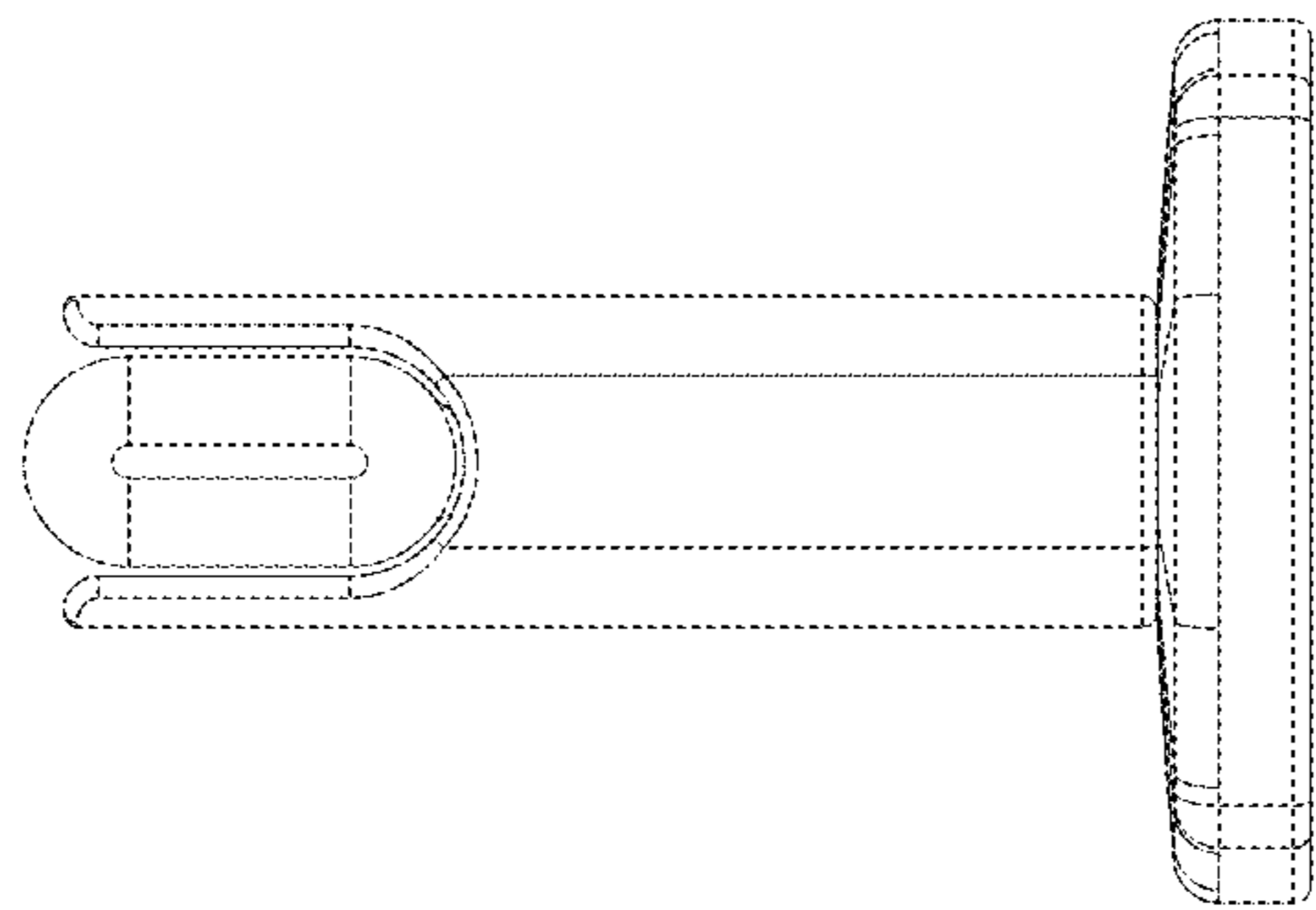


FIG-5

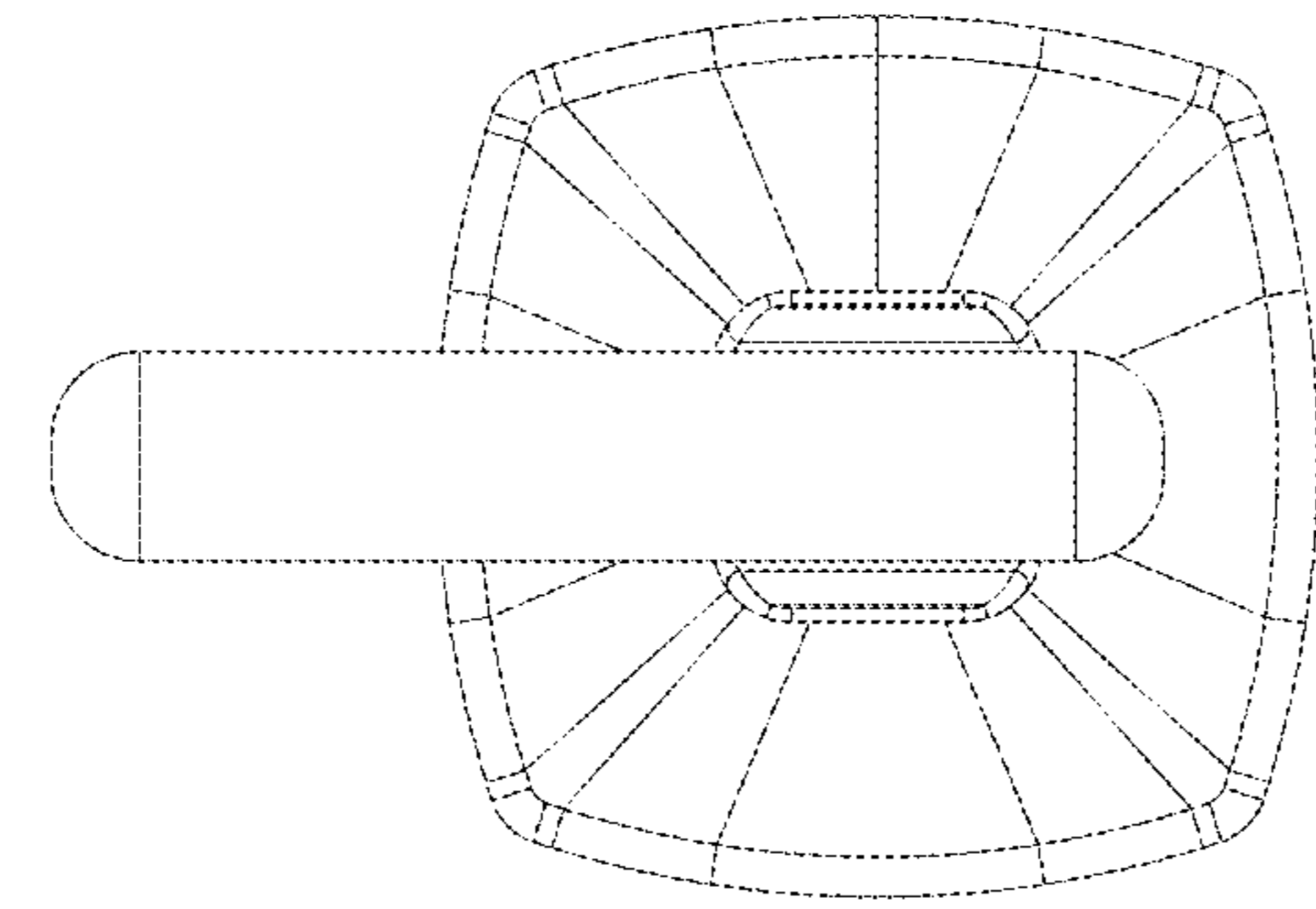


FIG-8

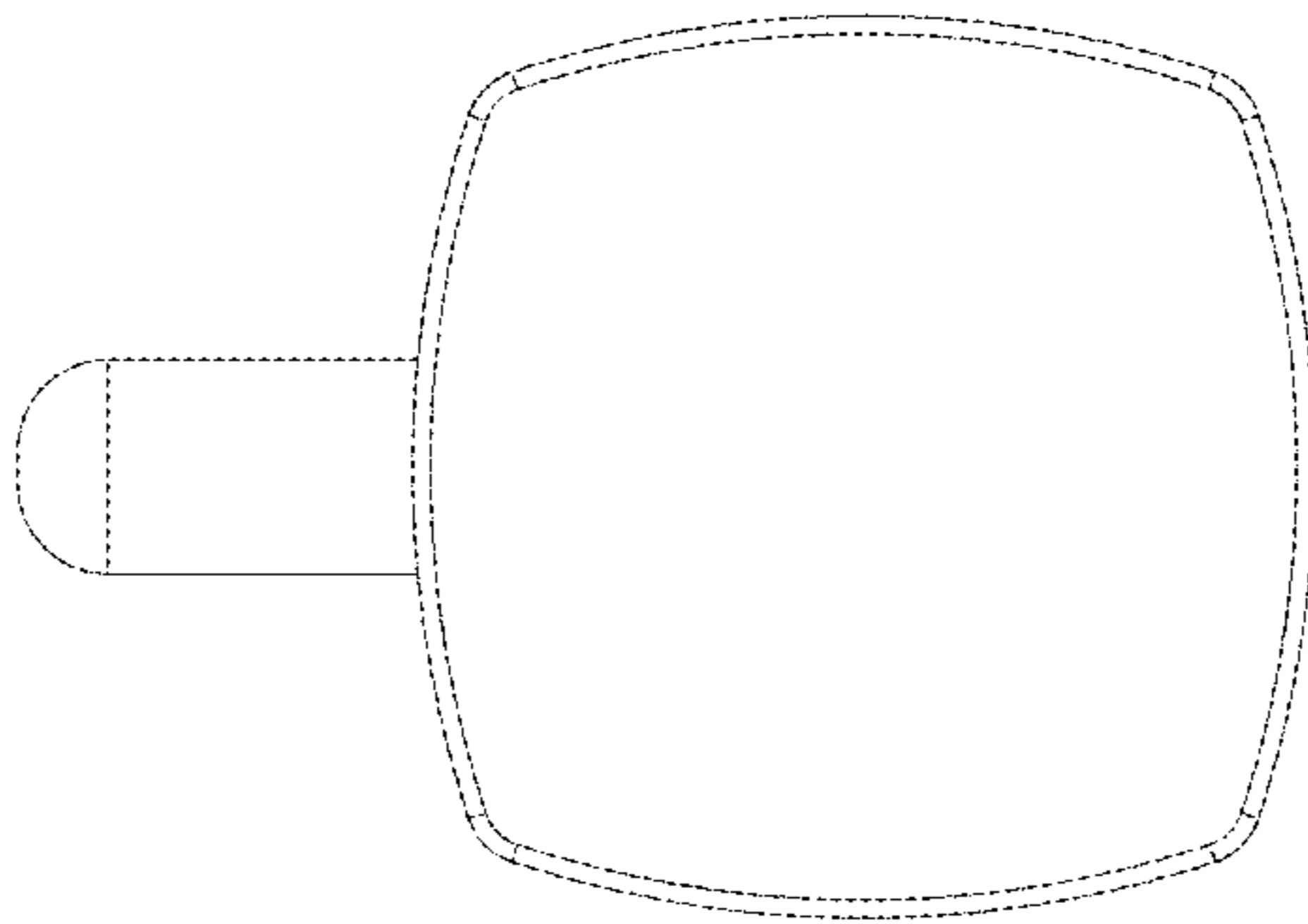


FIG-7