



US00D941036S

(12) **United States Design Patent**
Hinds

(10) **Patent No.:** **US D941,036 S**
(45) **Date of Patent:** **** Jan. 18, 2022**

(54) **HAIR BRUSH**

(71) Applicant: **Conair Corporation**, Stamford, CT (US)
(72) Inventor: **Kristen Lee Hinds**, Stamford, CT (US)
(73) Assignee: **Conair LLC**, Stamford, CT (US)
(**) Term: **15 Years**
(21) Appl. No.: **29/738,373**

(22) Filed: **Jun. 17, 2020**
(51) **LOC (13) Cl.** **04-99**
(52) **U.S. Cl.**
USPC **D4/134**
(58) **Field of Classification Search**
USPC D4/117-132; D30/158, 159
CPC A46B 5/00; A46B 5/02; A46B 5/04; A46B
9/00; A46B 9/02; A46B 9/025; A45D
24/00; A45D 24/10

See application file for complete search history.

(56) **References Cited**

U.S. PATENT DOCUMENTS

3,140,499 A * 7/1964 Du Bois A46B 5/00
15/160
D781,596 S * 3/2017 Chang D4/134
D846,888 S * 4/2019 Rosenzweig D4/136
2015/0135455 A1 * 5/2015 Reusche A46B 9/023
15/160
2018/0360201 A1 * 12/2018 Chang A46B 17/06
2021/0196036 A1 * 7/2021 Hendricks-Sturupp
A46B 5/0004

OTHER PUBLICATIONS

Olivia Garden Brush, announced 2012 [online], [site visited Sep. 23, 2021]. Available from internet, URL: <https://www.ulta.com/p/nanothermic-ceramic-ion-large-paddle-brush-xlslmprod4320085?sku=2244879&CMPID=CSGGLE&CAWELAID=1300099386> (Year: 2012).*

Lange Brush, announced 2021 [online], [site visited Sep. 23, 2021]. Available from internet, URL: https://langehair.com/products/blush-siena-paddle-brush-w-boar?utm_source=google&utm_medium=cpc&utm_campaign=autofeed (Year: 2021).*

* cited by examiner

Primary Examiner — George A Bugg
Assistant Examiner — Tamara L Hahn

(74) *Attorney, Agent, or Firm* — Grogan, Tuccillo & Vanderleeden, LLP

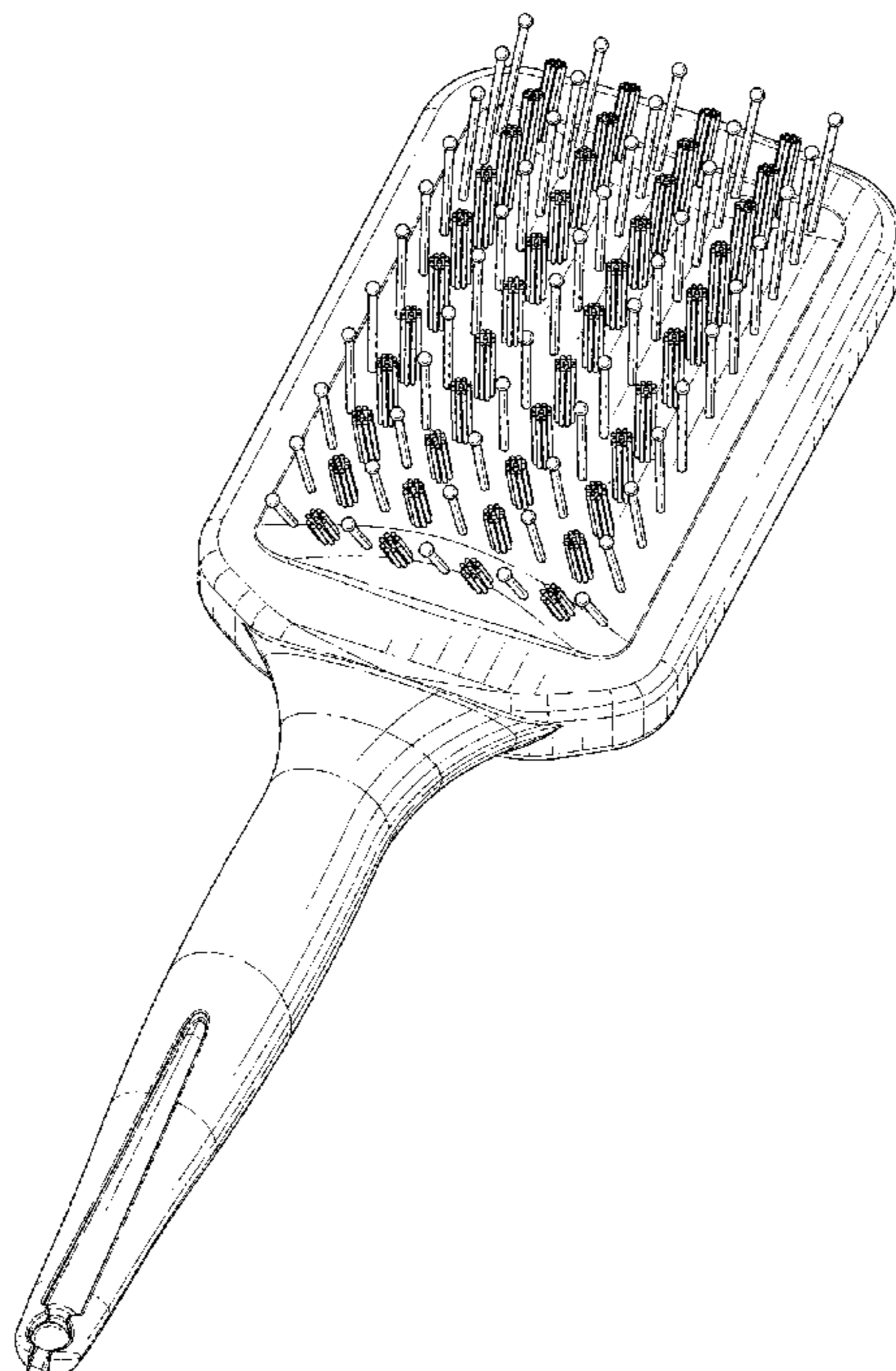
(57) **CLAIM**

The ornamental design for a hair brush, as shown and described.

DESCRIPTION

FIG. 1 is a front perspective view of a hair brush showing a new design;
FIG. 2 is a front elevational view thereof;
FIG. 3 is a rear elevational view thereof;
FIG. 4 is a right side elevational view thereof, the left side being a mirror image;
FIG. 5 is a top plan view thereof;
FIG. 6 is a bottom plan view thereof; and,
FIG. 7 is another front perspective view thereof.
The broken lines are for illustrative purposes only and form no part of the claimed design.

1 Claim, 5 Drawing Sheets



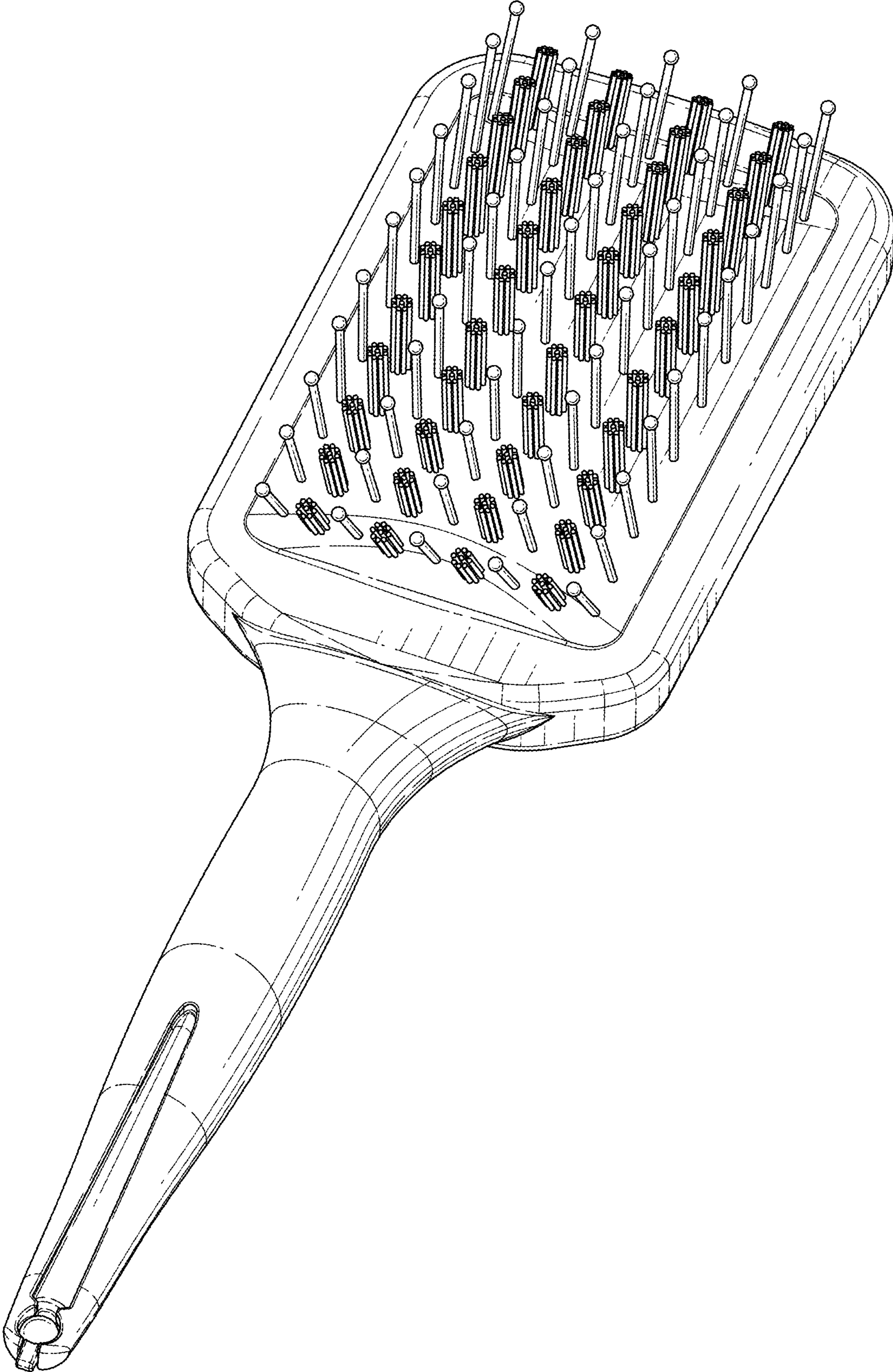


FIG. 1

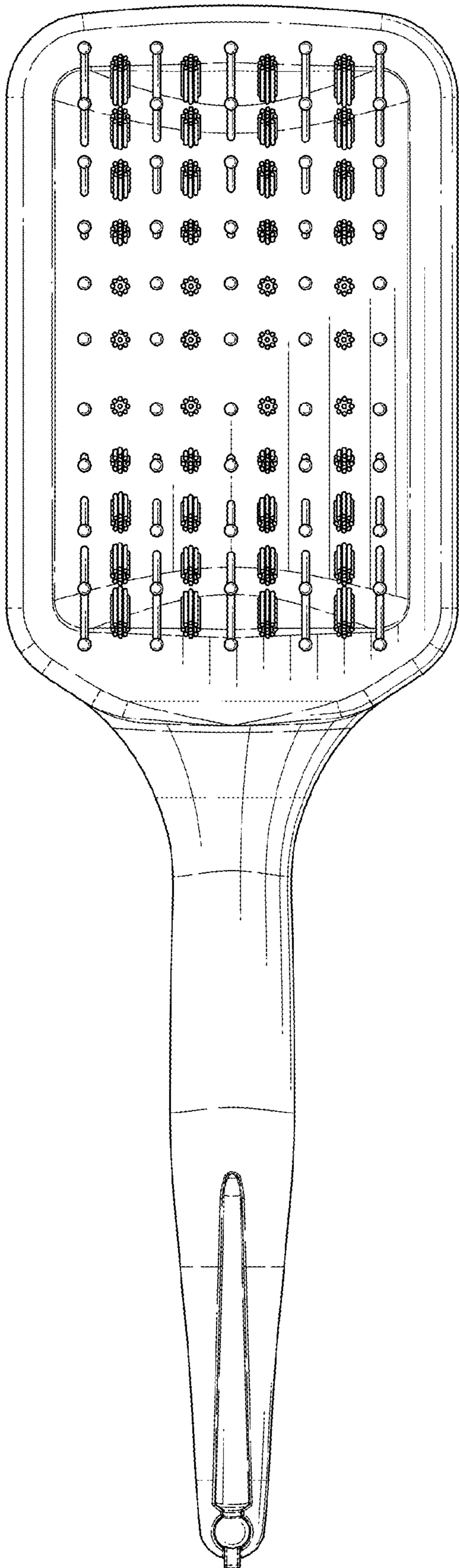


FIG. 2

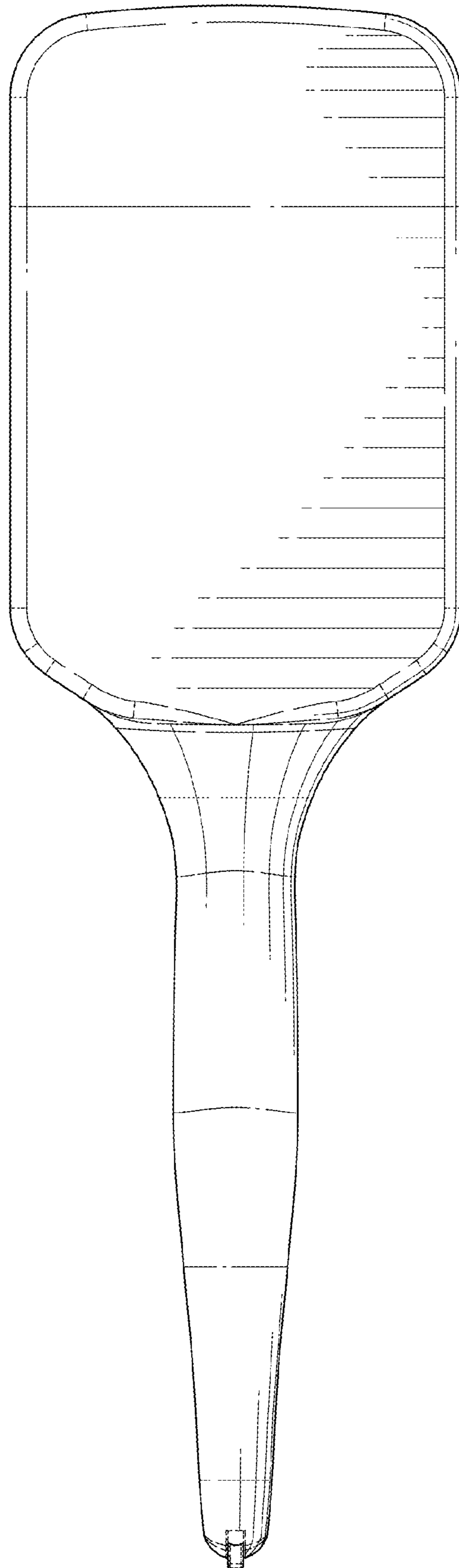


FIG. 3

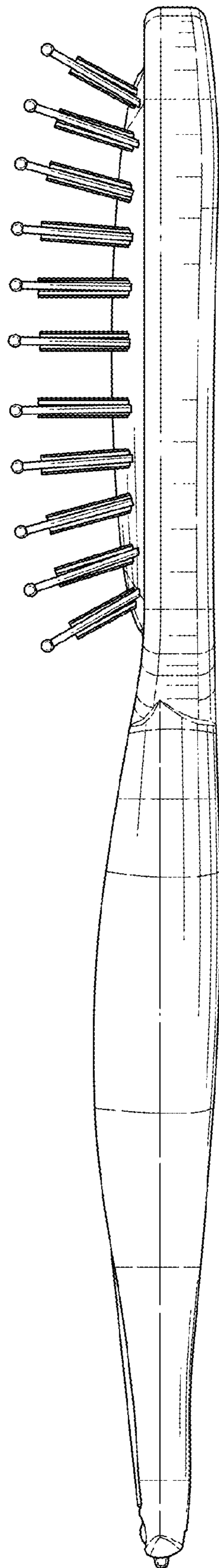


FIG. 4

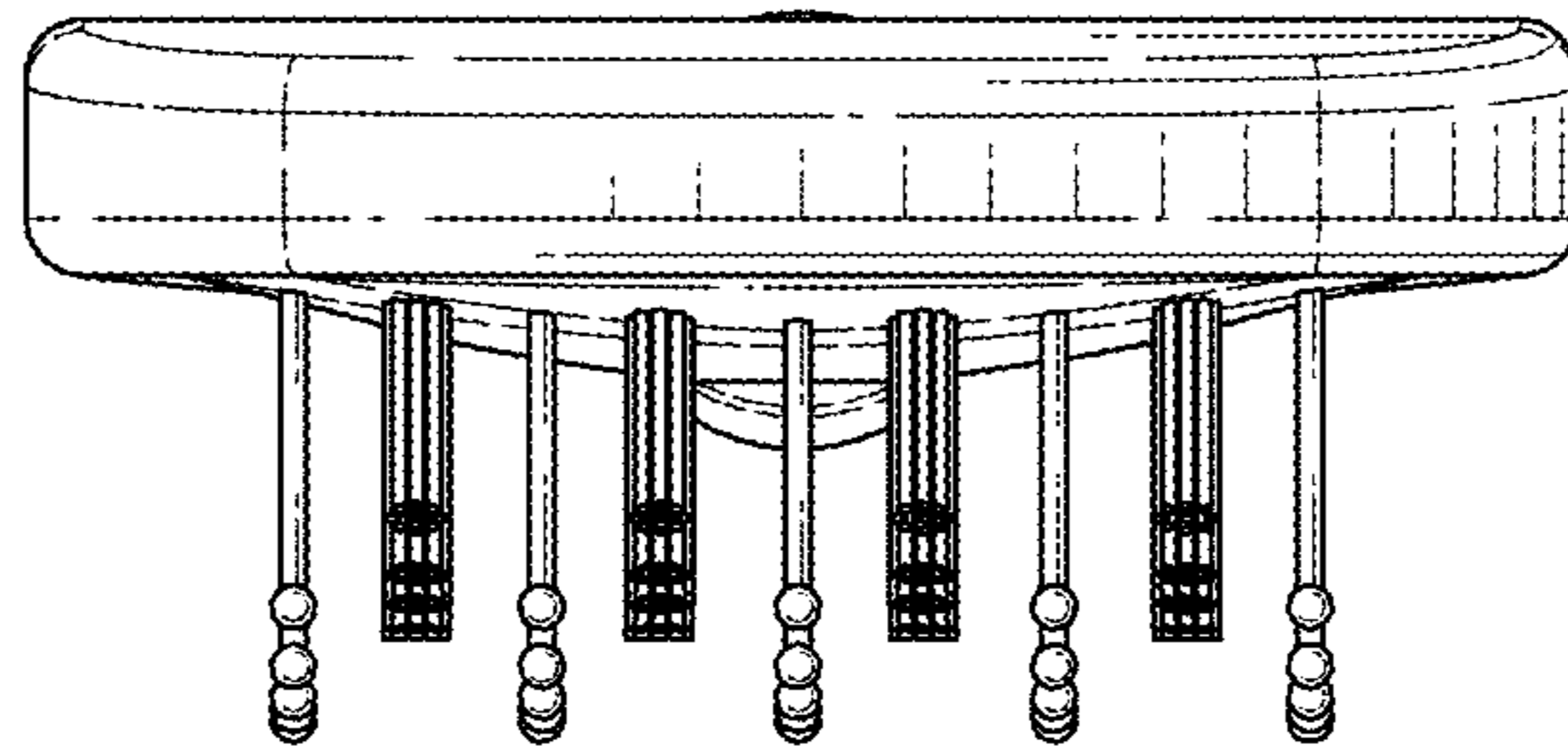


FIG. 5

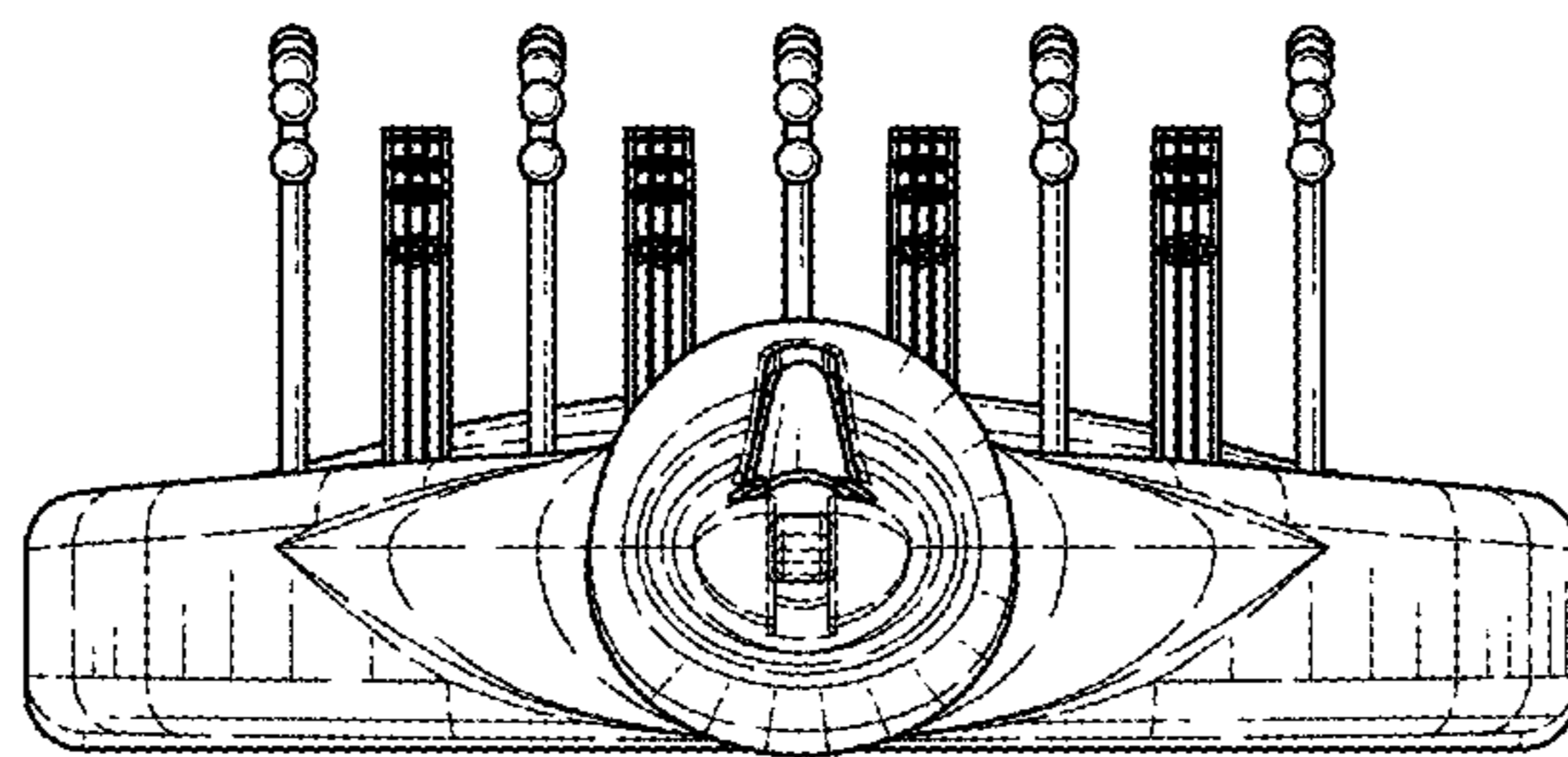


FIG. 6

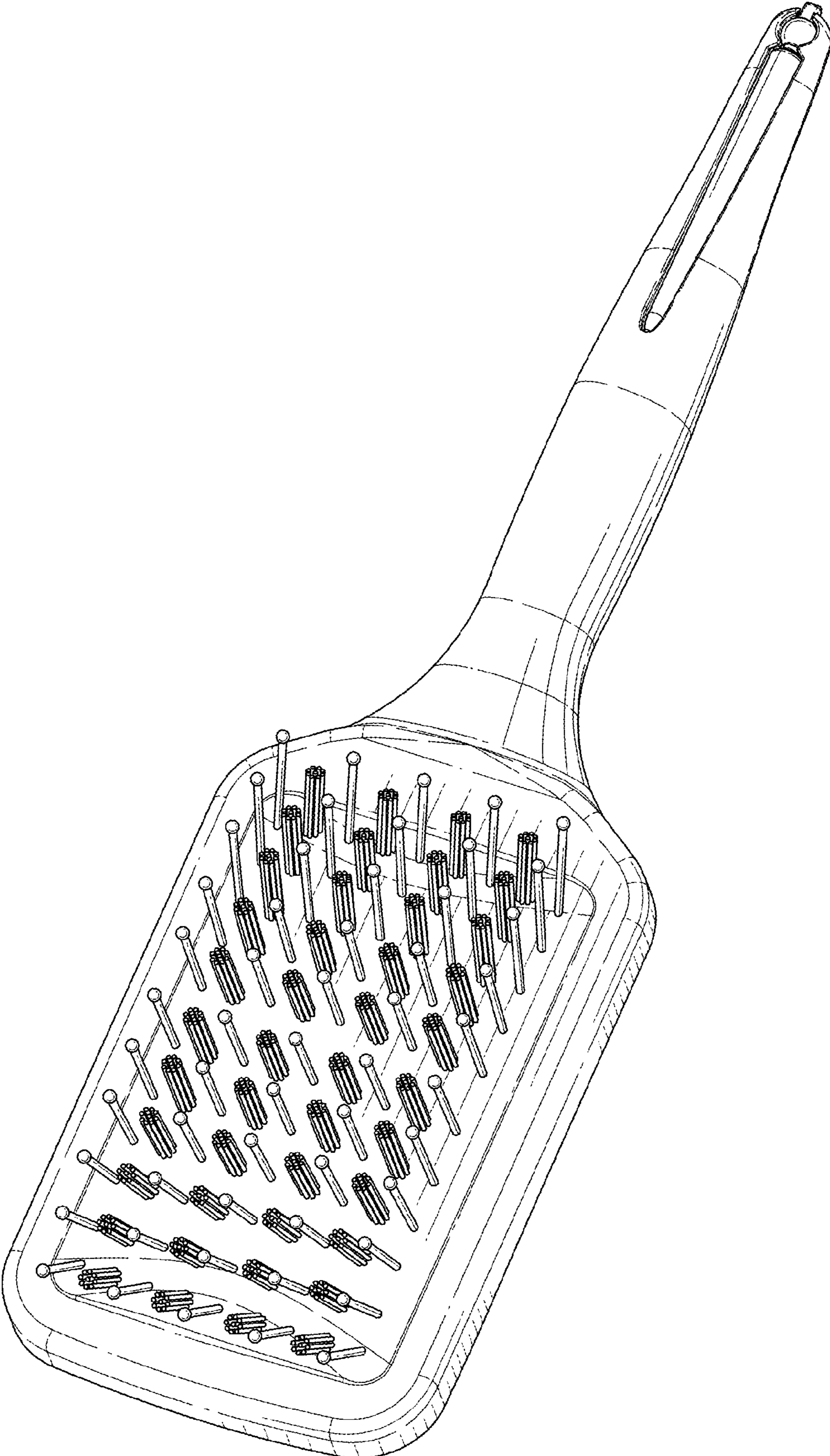


FIG. 7