



US00D941035S

(12) **United States Design Patent** (10) **Patent No.:** **US D941,035 S**
Hinds (45) **Date of Patent:** **** Jan. 18, 2022**

(54) **HAIR BRUSH**

D929,132 S * 8/2021 Hinds D4/128
D930,992 S * 9/2021 Hinds D4/128
2015/0182013 A1* 7/2015 Yao A46B 15/0051
132/120

(71) Applicant: **CONAIR CORPORATION**, Stamford, CT (US)

(72) Inventor: **Kristen Lee Hinds**, Stamford, CT (US)

(73) Assignee: **Conair LLC**, Stamford, CT (US)

(**) Term: **15 Years**

(21) Appl. No.: **29/738,395**

(22) Filed: **Jun. 17, 2020**

(51) **LOC (13) Cl.** **04-99**

(52) **U.S. Cl.**
USPC **D4/133**

(58) **Field of Classification Search**
USPC D4/117-132; D30/158, 159
CPC A46B 5/00; A46B 5/02; A46B 5/04; A46B 9/00; A46B 9/02; A46B 9/025; A45D 24/00; A45D 24/10

See application file for complete search history.

(56) **References Cited**

U.S. PATENT DOCUMENTS

D461,316 S *	8/2002	Park	D4/128
D466,309 S *	12/2002	Fong	D4/128
D469,258 S *	1/2003	Wang	D4/128
D544,214 S *	6/2007	Wang	D4/128
D557,017 S *	12/2007	Kampel	D4/128
D648,540 S *	11/2011	Rennette	D4/128
D696,028 S *	12/2013	Park	D4/128
D792,711 S *	7/2017	Hou	D4/133
D823,005 S *	7/2018	Kuo	D4/128
D856,683 S *	8/2019	Rennette	D4/128
D898,375 S *	10/2020	Robbins	D4/121
D916,468 S *	4/2021	Rennette	D4/128

OTHER PUBLICATIONS

Olivia Garden, announced 2021 [online], [site visited Sep. 23, 2021]. Available from internet, URL: <https://www.ultra.com/p/ceramic-ion-thermal-hairbrush-VP10594> (Year: 2021).*

Bangmeng Brush, announced 2018 [online], [site visited Sep. 23, 2021], Available from internet, URL: https://www.amazon.com/BANGMENG-Anti-Static-Bristles-Thermal-Straightening/dp/B07176HWHR/ref=sr_1_10?dchild=1&keywords=round+brush&qid=1632424974&sr=8-10 (Year: 2018).*

* cited by examiner

Primary Examiner — George A Bugg

Assistant Examiner — Tamara L Hahn

(74) *Attorney, Agent, or Firm* — Grogan, Tuccillo & Vanderleeden LLP

(57) **CLAIM**

The ornamental design for a hair brush, as shown and described.

DESCRIPTION

FIG. 1 is a perspective view of a hair brush showing a new design;

FIG. 2 is another perspective view thereof;

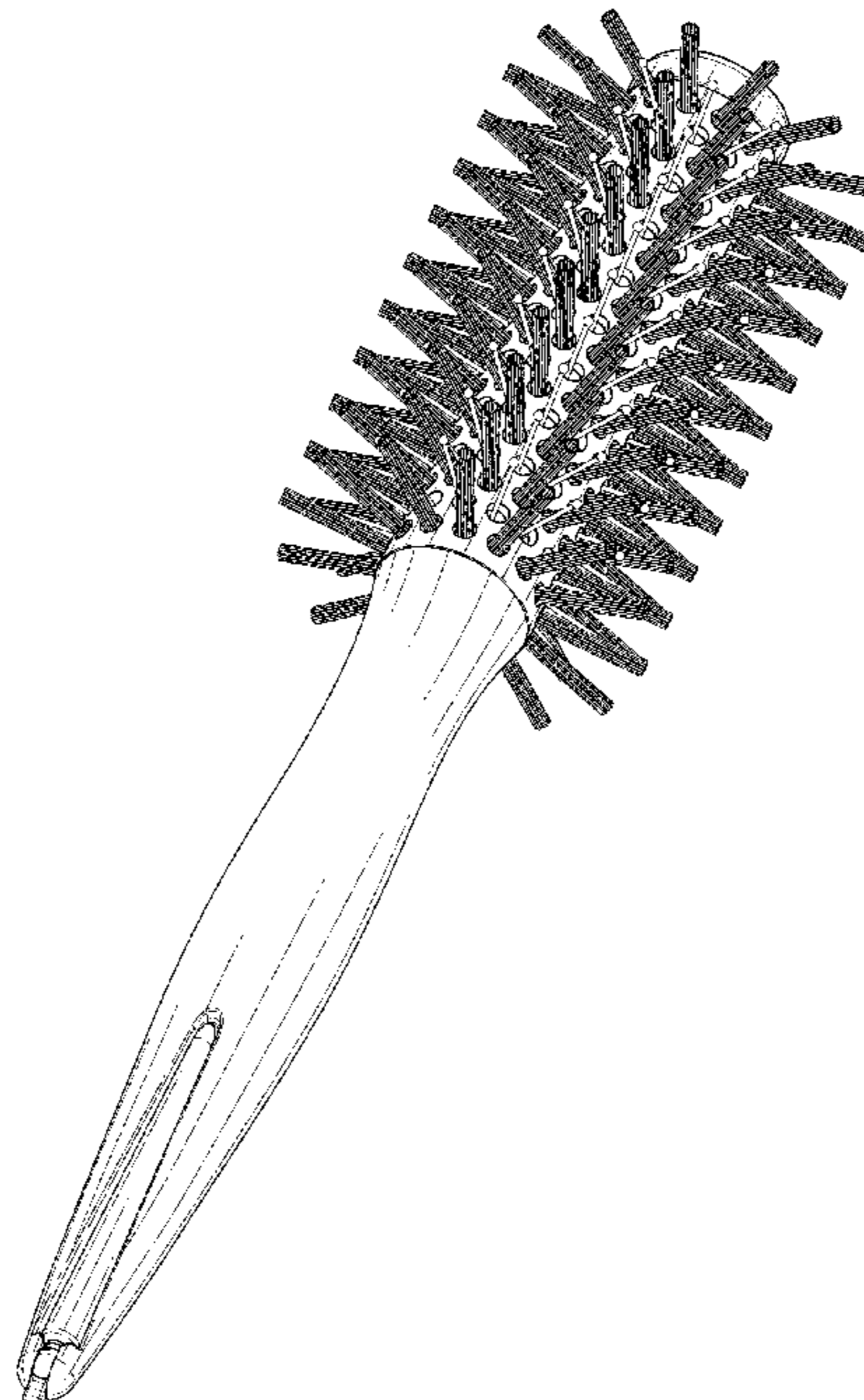
FIG. 3 is a front elevational view thereof, the rear being a mirror image;

FIG. 4 is a right side elevational view thereof, the left side being a mirror image;

FIG. 5 is a top plan view thereof; and,

FIG. 6 is a bottom plan view thereof.

1 Claim, 4 Drawing Sheets



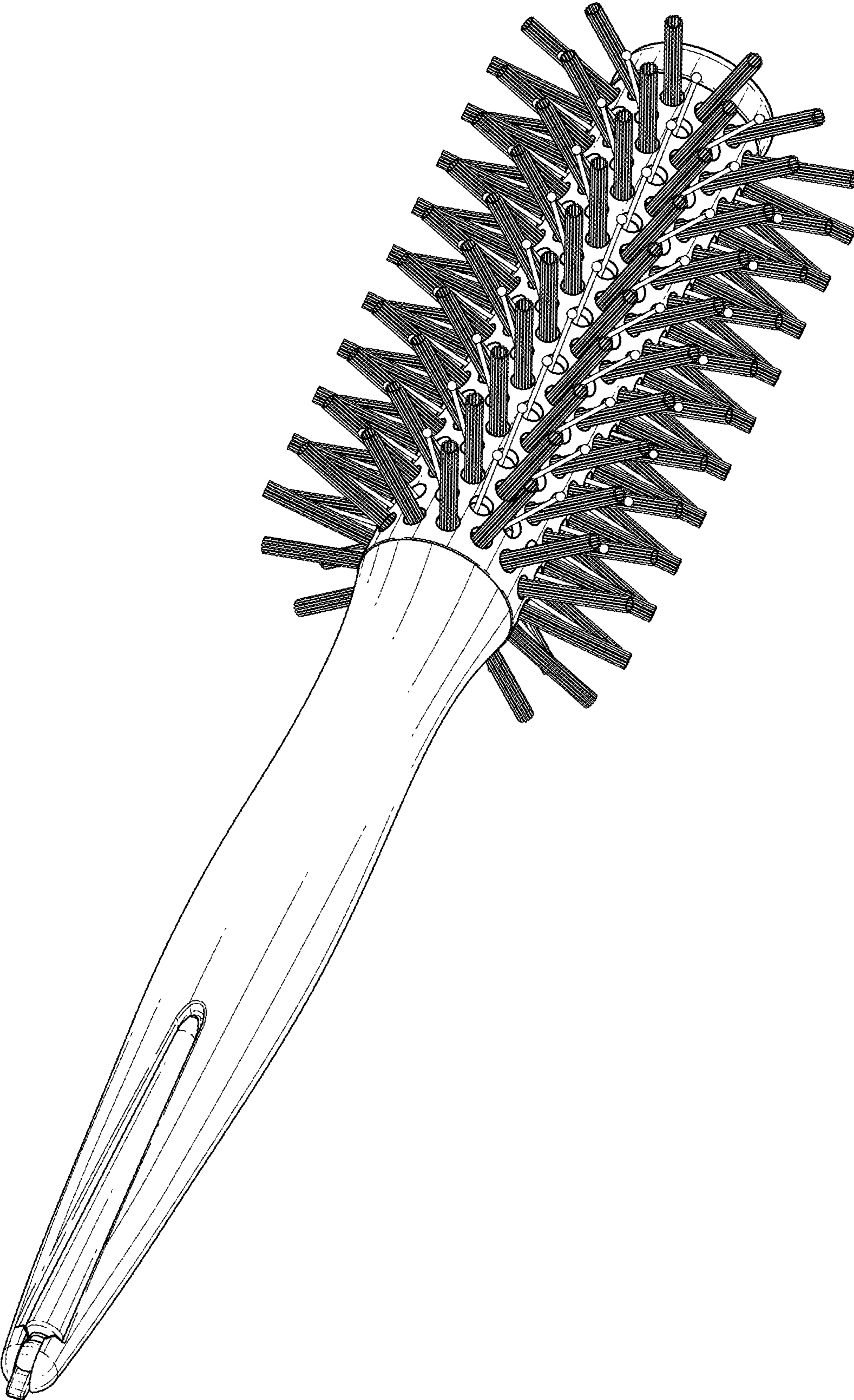


FIG. 1

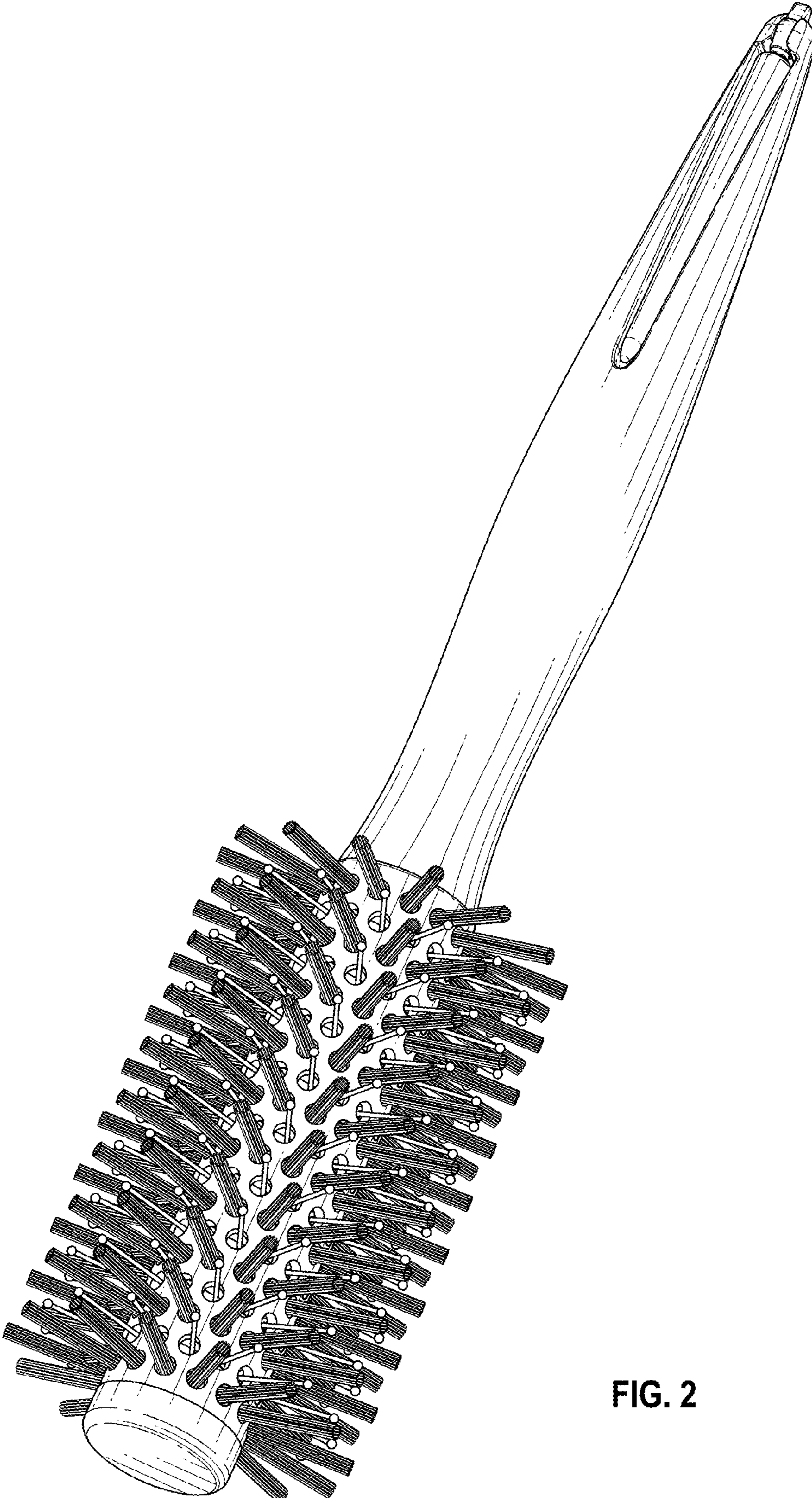
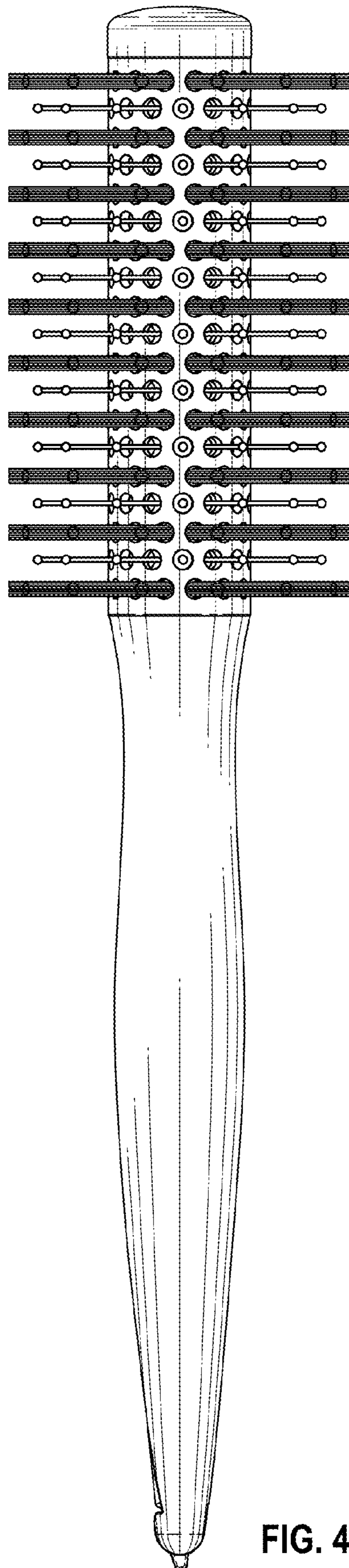
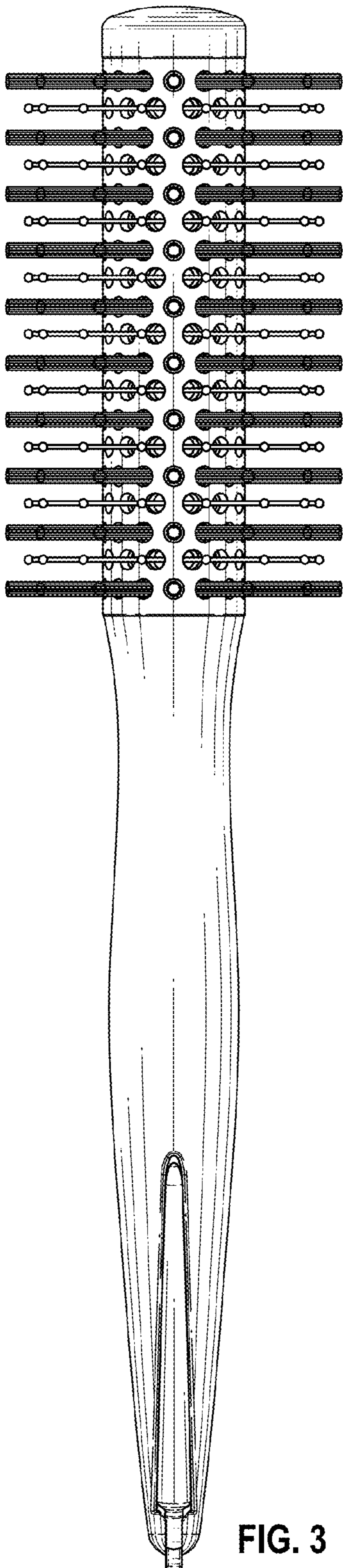


FIG. 2



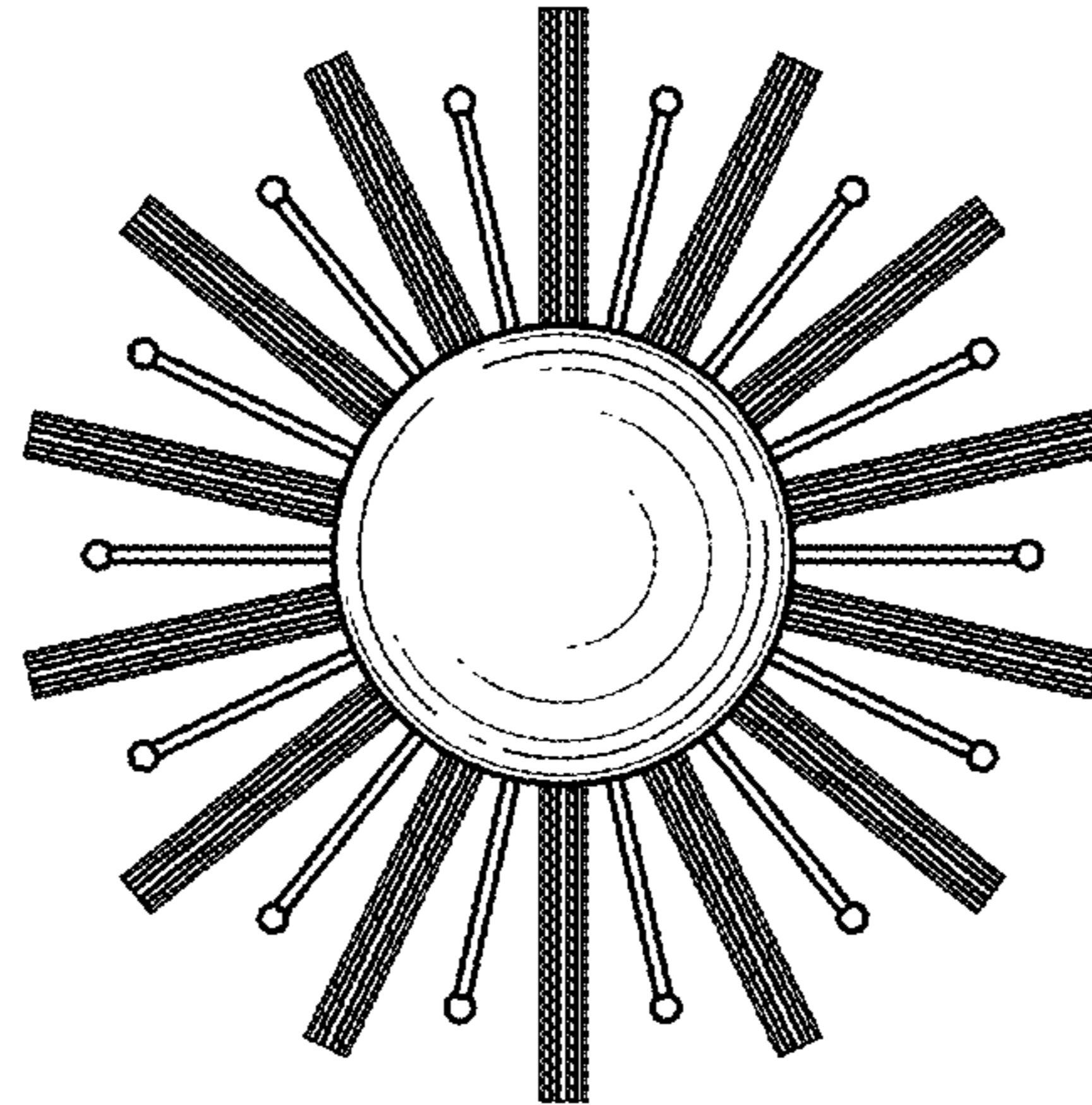


FIG. 5

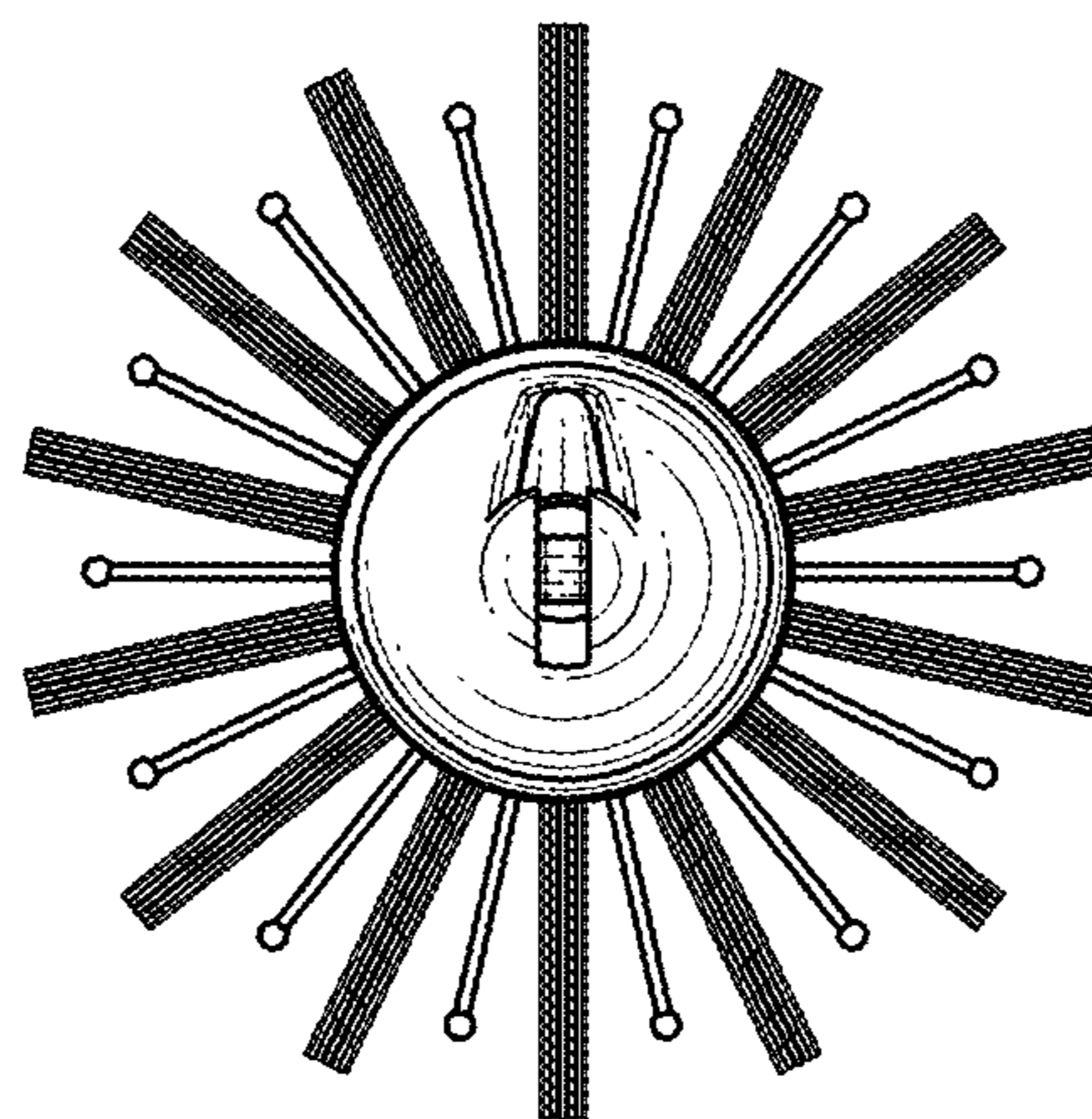


FIG. 6