



US00D941034S

(12) **United States Design Patent**  
**Lai**

(10) **Patent No.:** **US D941,034 S**

(45) **Date of Patent:** **\*\* Jan. 18, 2022**

(54) **PET PAW CLEANER DOG BRUSH**

(71) Applicant: **Haibo Lai**, Puning (CN)

(72) Inventor: **Haibo Lai**, Puning (CN)

(\*\*) Term: **15 Years**

(21) Appl. No.: **29/778,187**

(22) Filed: **Apr. 12, 2021**

(51) **LOC (13) Cl.** ..... **04-02**

(52) **U.S. Cl.**  
USPC ..... **D4/128**

(58) **Field of Classification Search**  
USPC ..... D4/128, 129, 131, 136, 138, 108, 109,  
D4/119; D32/35, 51; 15/104.5, 104.16,  
15/104.2, 104.31, 104.32, 164, 165, 206;  
D28/65; D7/682; 452/298, 458  
CPC ..... A46B 7/026; A46B 5/005; A46B 17/04;  
A46B 2200/1046

See application file for complete search history.

(56) **References Cited**

**U.S. PATENT DOCUMENTS**

D357,810 S *	5/1995	Evans	.....	D4/114
D573,347 S *	7/2008	Dondi	.....	D4/128
7,988,539 B2 *	8/2011	Palushaj	.....	B24B 41/042 451/353
8,105,134 B2 *	1/2012	Palushaj	.....	B24B 1/00 451/490
D677,059 S	3/2013	Floyd et al.		
D710,112 S *	8/2014	Dunn	.....	D4/125
D715,556 S	10/2014	Brewer		

D778,066 S *	2/2017	Kern	.....	D4/127
D811,749 S *	3/2018	Cohen	.....	D4/128
D824,678 S	8/2018	Shown et al.		
D851,407 S *	6/2019	Brown	.....	D4/127
D876,842 S	3/2020	Tschopp		
D901,790 S	11/2020	He		
D902,491 S *	11/2020	de la Cruz	.....	D28/63
D905,966 S *	12/2020	Wen	.....	D4/116
D925,831 S *	7/2021	Yue	.....	D28/63
2018/0028395 A1 *	2/2018	Roth	.....	A46B 5/02

\* cited by examiner

*Primary Examiner* — Austin Murphy

(74) *Attorney, Agent, or Firm* — Rumit Ranjit Kanakia

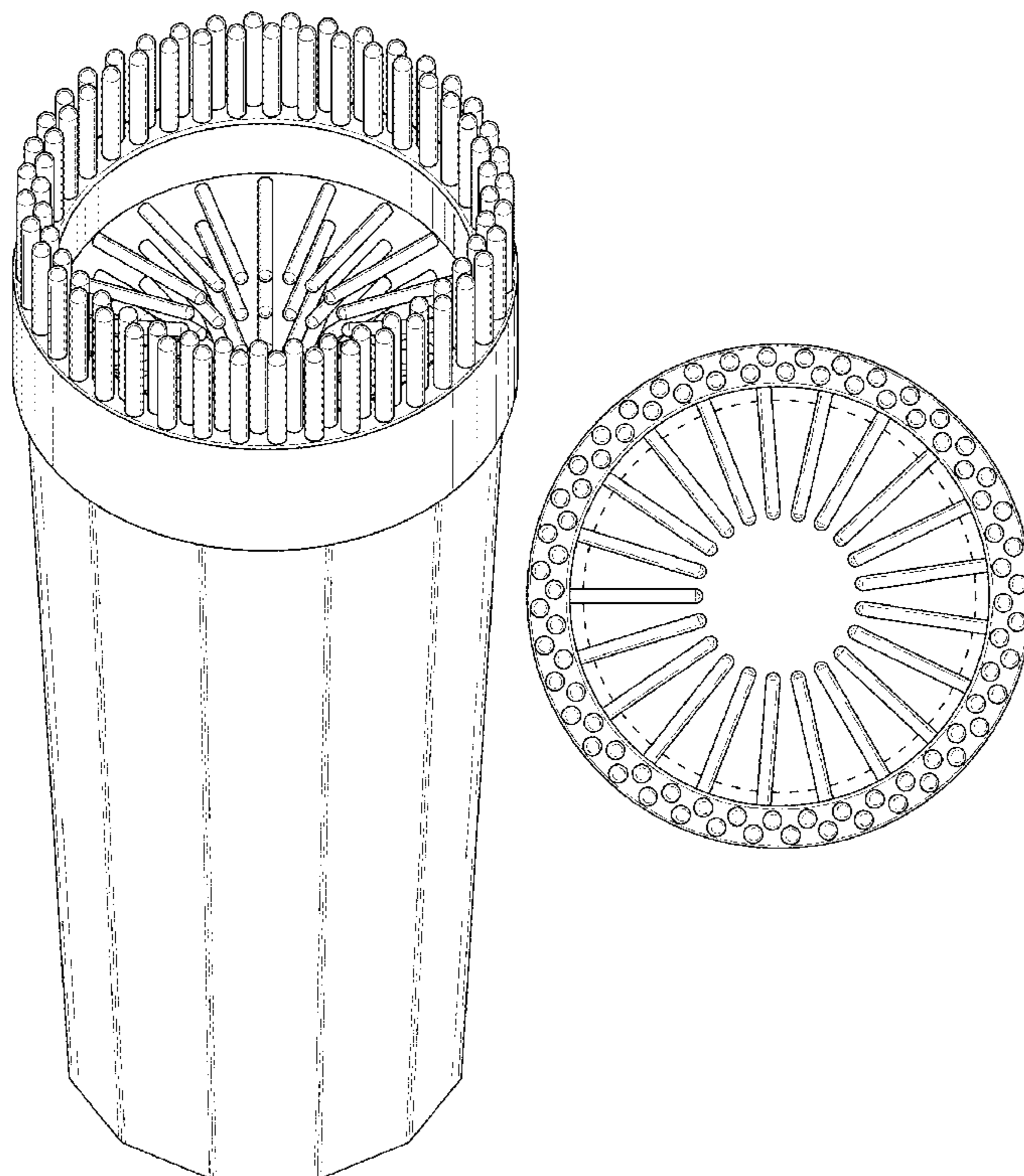
(57) **CLAIM**

I claim the ornamental design for a pet paw cleaner dog brush, as shown and described.

**DESCRIPTION**

FIG. 1 is a Perspective view of a pet paw cleaner dog brush showing my new design;  
FIG. 2 is a Front view thereof;  
FIG. 3 is a Back view thereof;  
FIG. 4 is a Right-side view thereof;  
FIG. 5 is a Left-side view thereof;  
FIG. 6 is a Top view thereof; and,  
FIG. 7 is a Bottom view thereof.  
The broken lines in the drawings depict portions of the pet paw cleaner dog brush that form no part of the claimed design.

**1 Claim, 7 Drawing Sheets**



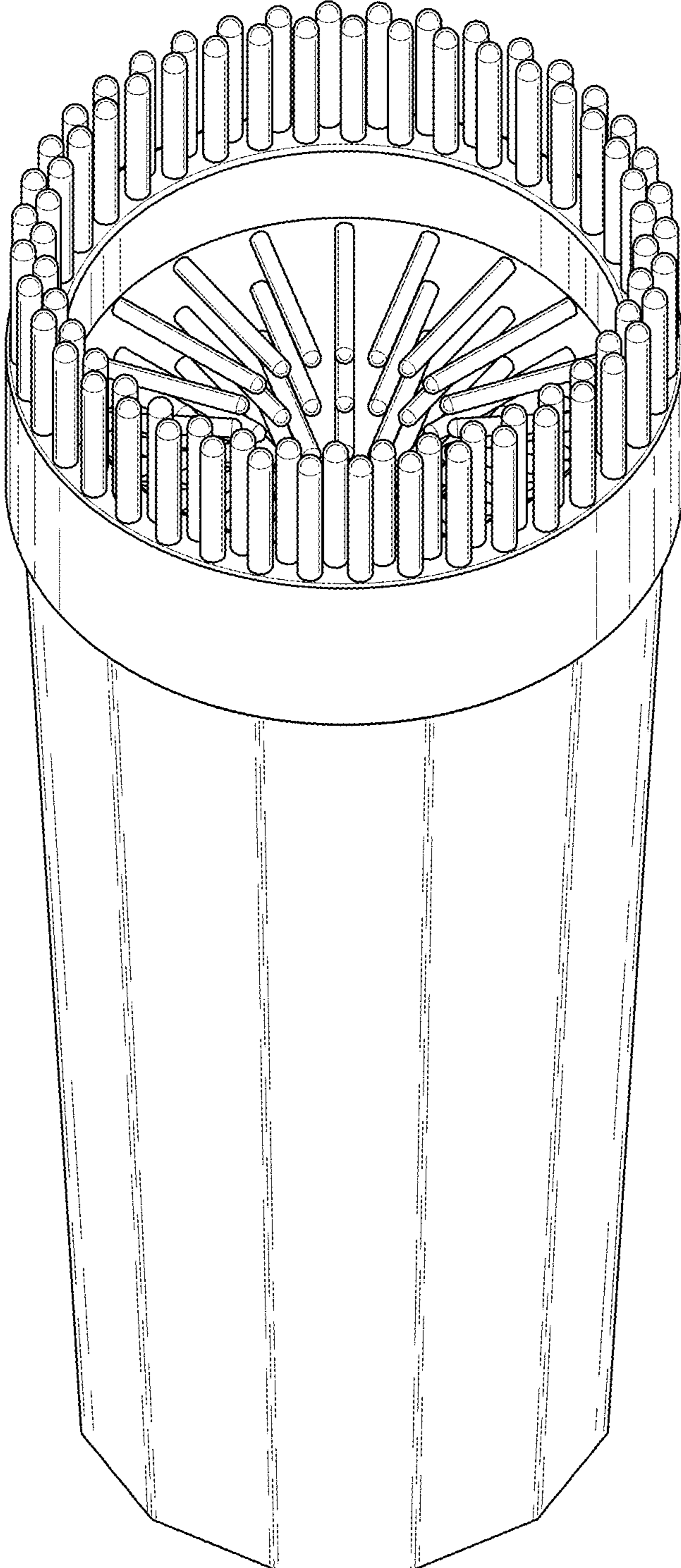


FIG. 1

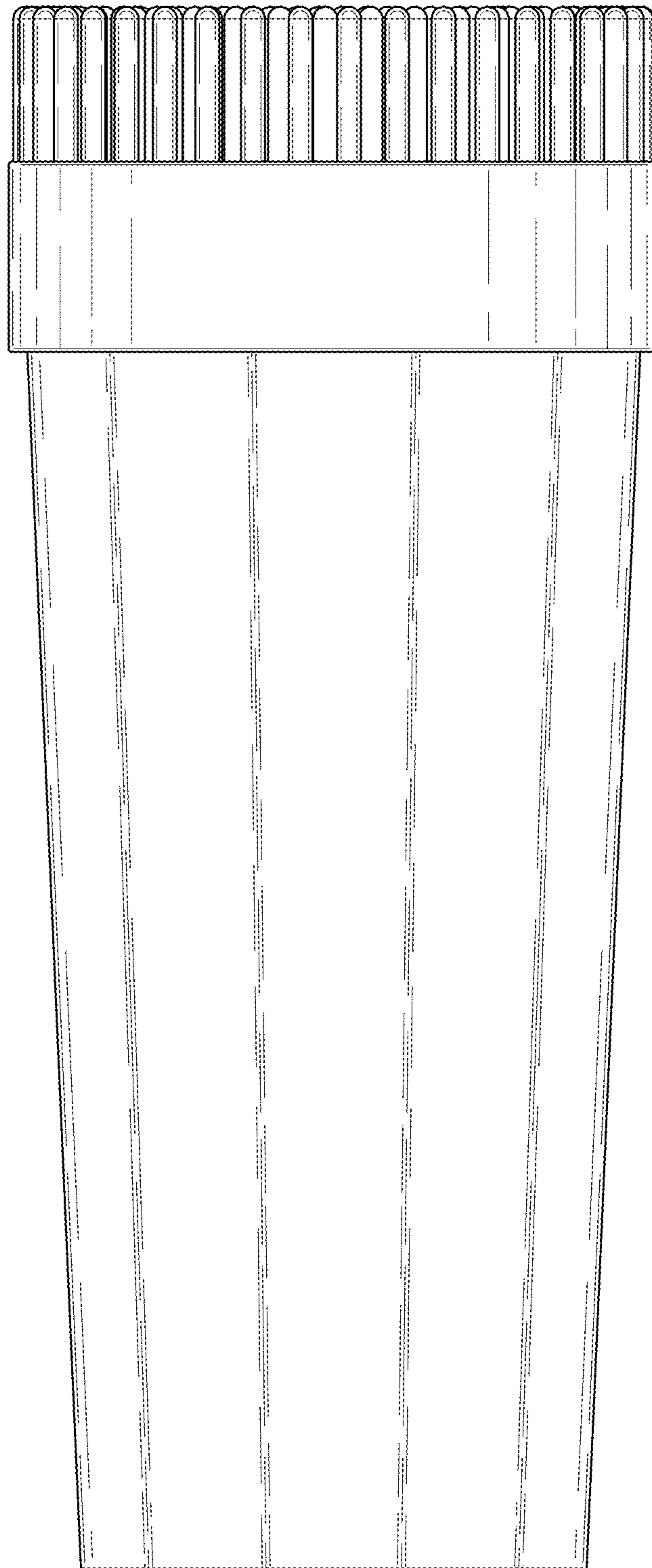


FIG. 2

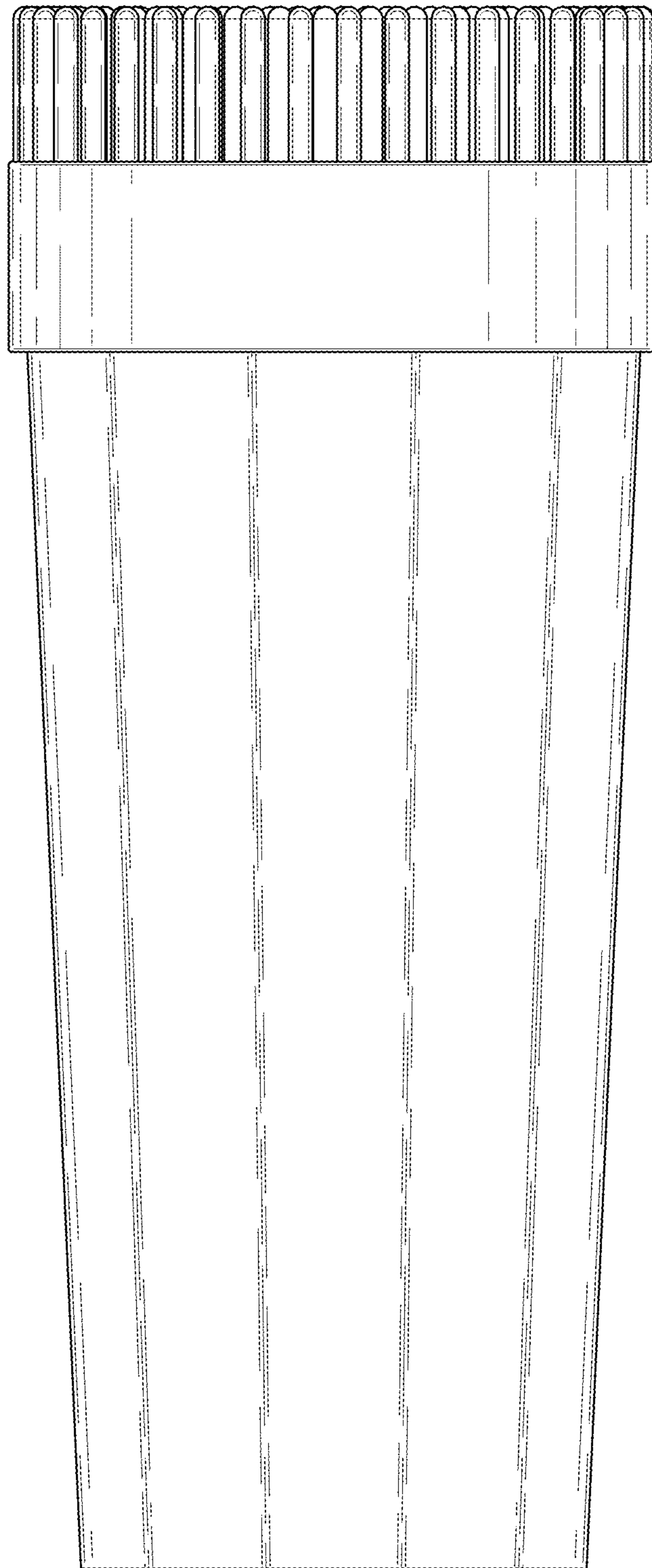


FIG. 3

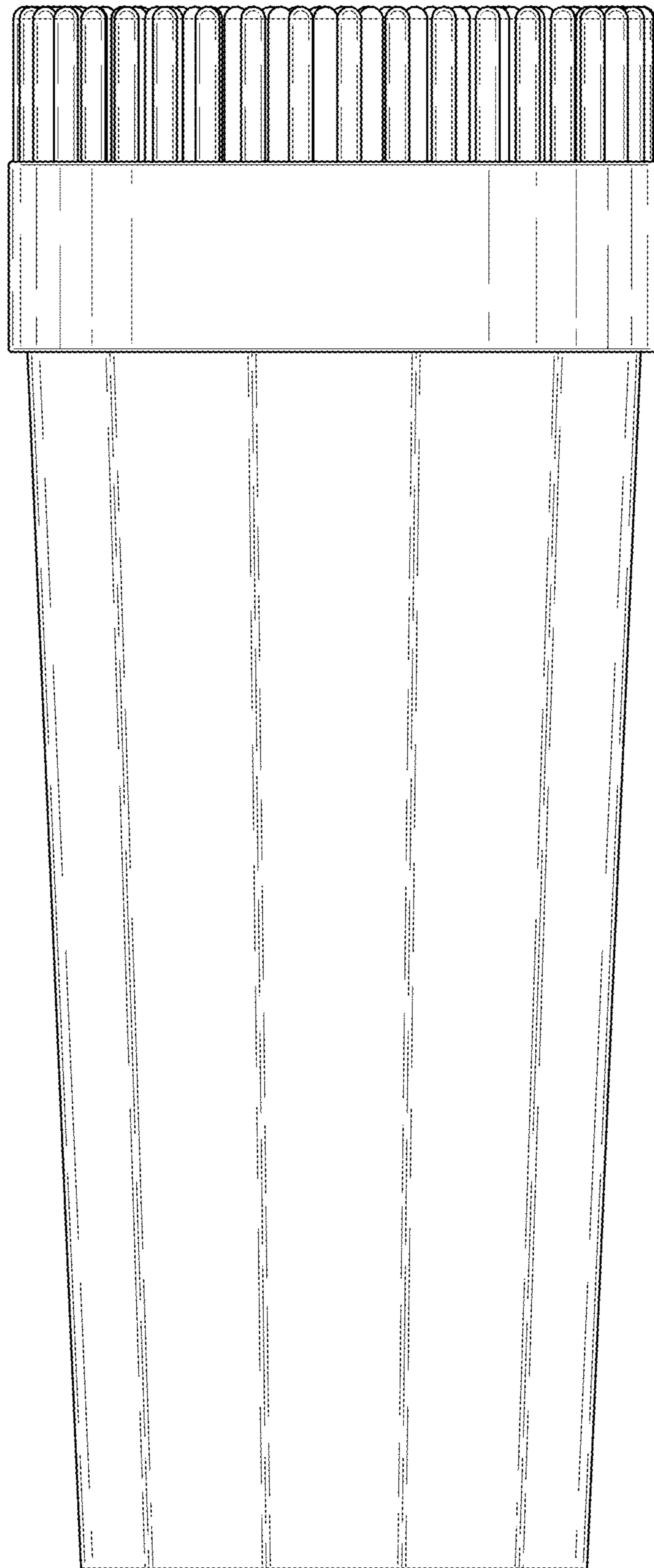


FIG. 4

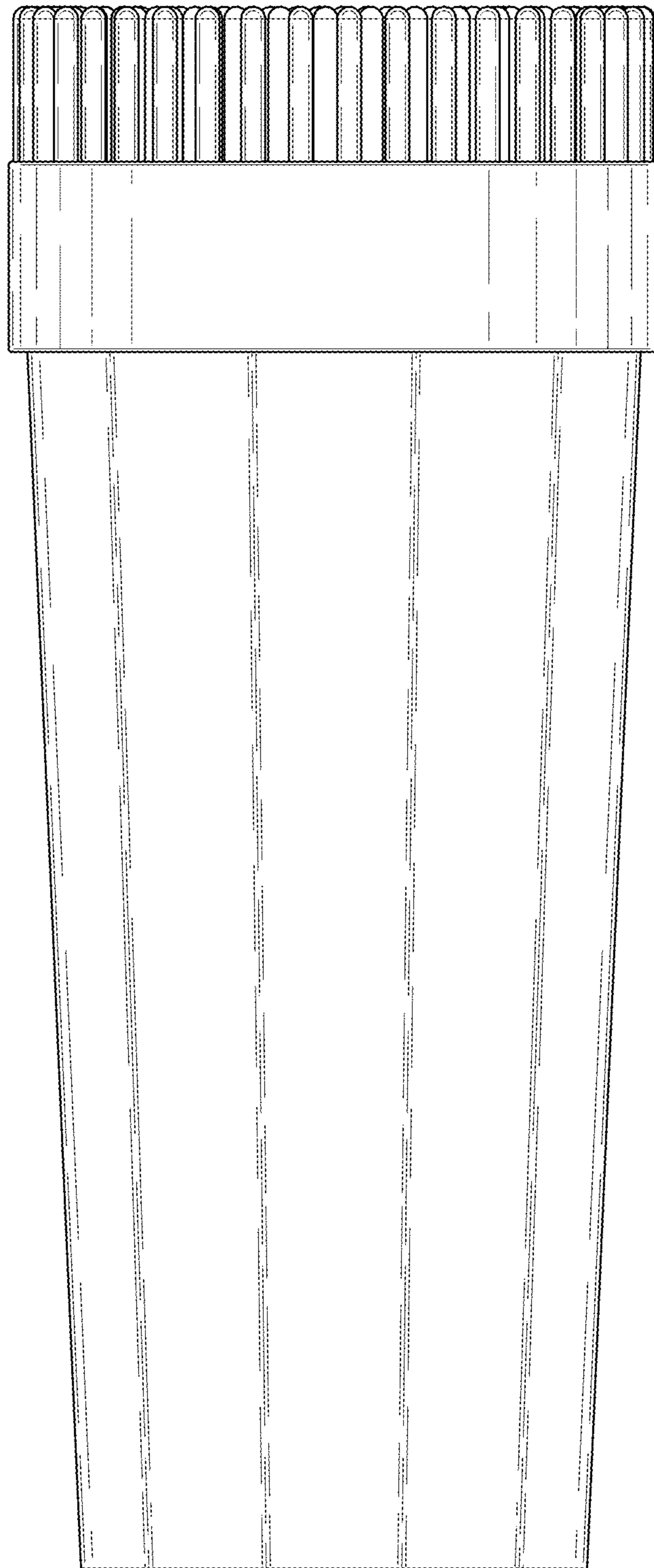


FIG. 5

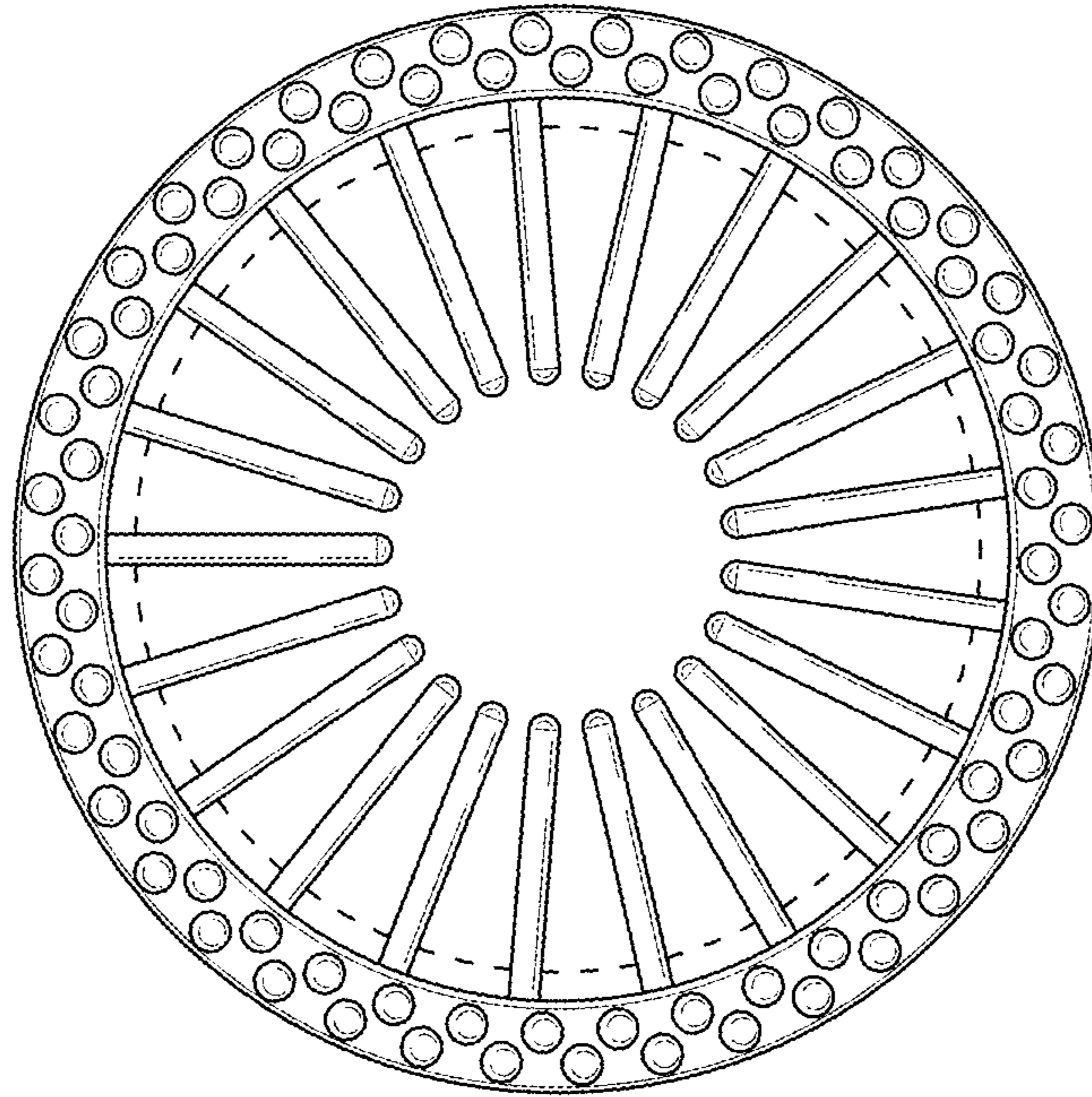


FIG. 6

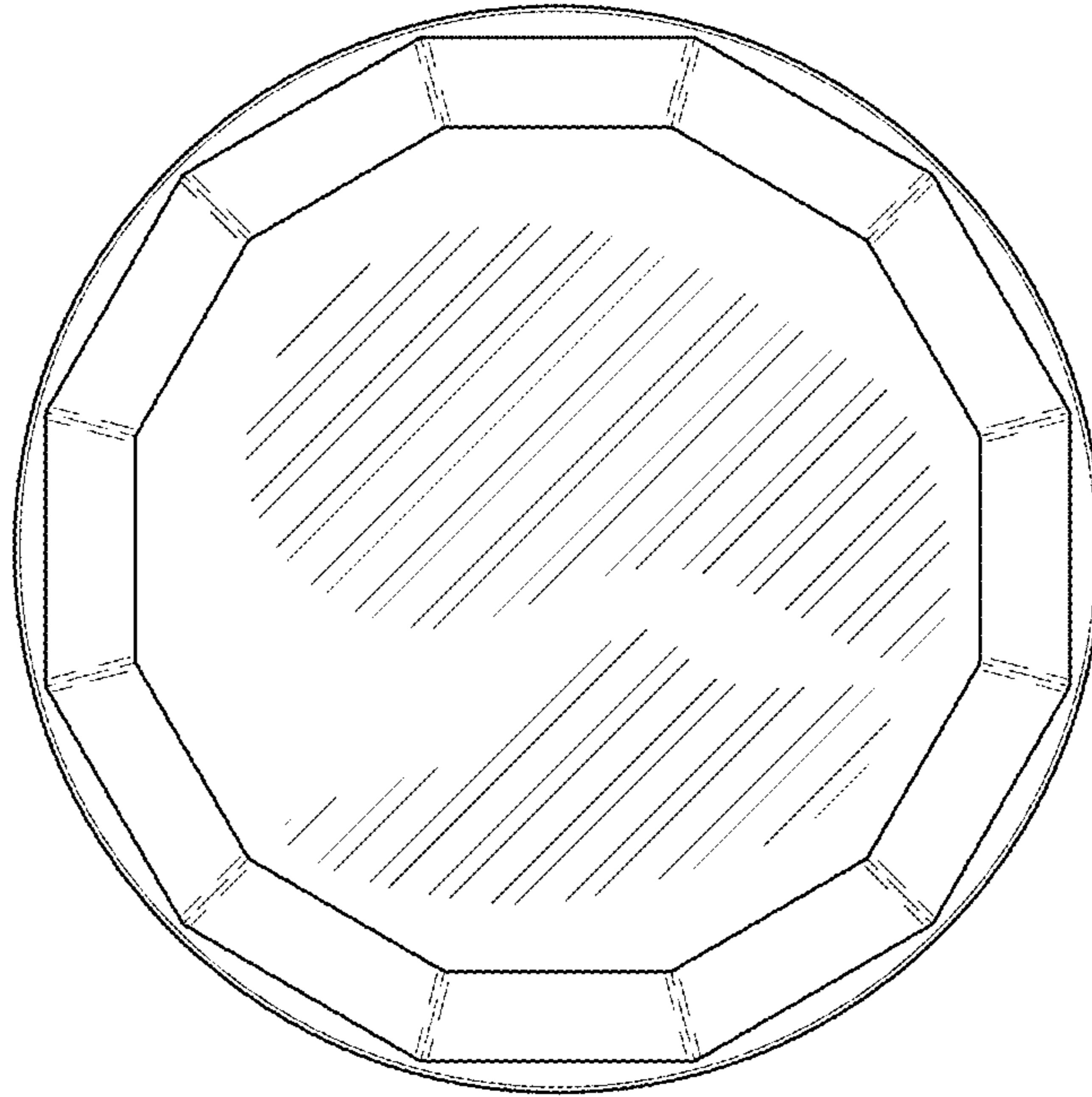


FIG. 7