



US00D941033S

(12) **United States Design Patent**
Hinds et al.

(10) **Patent No.:** **US D941,033 S**

(45) **Date of Patent:** **** Jan. 18, 2022**

(54) **HAIR BRUSH**

(71) Applicant: **CONAIR CORPORATION**, Stamford, CT (US)

(72) Inventors: **Kristen L. Hinds**, Cos Cob, CT (US);
Sophia Wojczak, Harrison, NY (US)

(73) Assignee: **Conair LLC**, Stamford, CT (US)

(**) Term: **15 Years**

(21) Appl. No.: **29/711,363**

(22) Filed: **Oct. 30, 2019**

(51) **LOC (13) Cl.** **04-99**

(52) **U.S. Cl.**
USPC **D4/128**

(58) **Field of Classification Search**
USPC D4/117-132; D30/158, 159
CPC A46B 5/00; A46B 5/02; A46B 5/04; A45D
24/00; A45D 24/10

See application file for complete search history.

(56) **References Cited**

U.S. PATENT DOCUMENTS

D301,404 S *	6/1989	Fischer	D4/128
D461,316 S *	8/2002	Park	D4/128
D472,053 S *	3/2003	Park	D4/128
D569,108 S *	5/2008	Park	D4/128
D621,163 S *	8/2010	Rennette	D4/128
D624,321 S *	9/2010	Rennette	D4/121
D627,568 S *	11/2010	Rennette	D4/128
D646,488 S *	10/2011	Rennette	D4/116
D652,219 S *	1/2012	Park	D4/128
D653,038 S *	1/2012	Park	D4/128
D672,562 S *	12/2012	Chang	D4/138
D679,910 S *	4/2013	Nimsgern	D4/128
D696,026 S *	12/2013	Park	D4/128
D898,375 S *	10/2020	Robbins	D4/121

D916,468 S *	4/2021	Rennette	D4/128
2015/0128366 A1 *	5/2015	Kim	A46B 9/12 15/160
2019/0045900 A1 *	2/2019	Joe	A45D 24/00

(Continued)

FOREIGN PATENT DOCUMENTS

KR	301071942.0000	*	8/2020
KR	301091180.0000	*	1/2021

OTHER PUBLICATIONS

Bioionic Brush, announced Apr. 2020 [online], [site visited Apr. 22, 2021]. Available from internet, URL: <https://www.bioionic.com/graphene-mx-thermal-styling-brush> (Year: 2020).*

(Continued)

Primary Examiner — George A Bugg

Assistant Examiner — Tamara L Hahn

(74) *Attorney, Agent, or Firm* — Ohlandt, Greeley, Ruggiero & Perle, L.L.P.

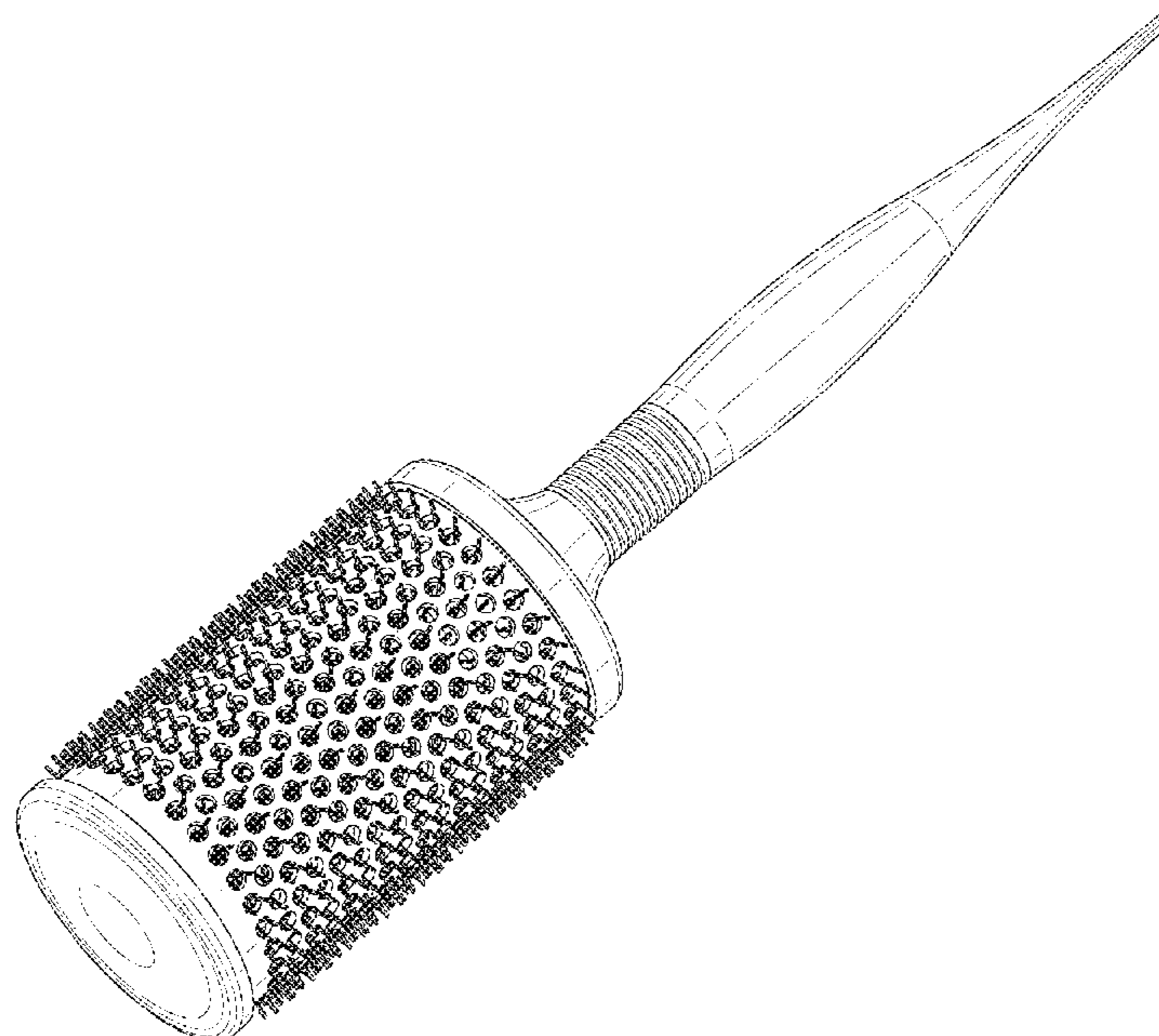
(57) **CLAIM**

The ornamental design for a hair brush, as shown and described.

DESCRIPTION

FIG. 1 is a top, front perspective view of an ornamental design for a hair brush according to the present invention; FIG. 2 is bottom, front perspective view of the hair brush of FIG. 1; FIG. 3 is a front elevational view of the hair brush of FIG.1; FIG. 4 is a right side elevational view of the hair brush of FIG. 1 (the left side elevational view being identical); FIG. 5 is a rear elevational view of the hair brush of FIG.1; FIG. 6 is a top plan view of the hair brush of FIG. 1; and, FIG. 7 is a bottom plan view of the hair brush of FIG. 1.

1 Claim, 6 Drawing Sheets



(56)

References Cited

U.S. PATENT DOCUMENTS

2019/0142148 A1* 5/2019 Rennette A45D 20/525
132/313
2021/0100348 A1* 4/2021 Gemelli A46B 9/023

OTHER PUBLICATIONS

Osenia Brush, announced 2018 [online], [site visited Apr. 22, 2021]. Available from internet, URL: <https://www.amazon.com/dp/B0771VZNN9> (Year: 2018).*

Glamme Brush, announced Feb. 2021 [online], [site visited Apr. 22, 2021]. Available from internet, URL: https://www.amazon.com/dp/B08KFVLD89/ref=sspa_dk_detail_1 (Year: 2021).*

Olivia Garden Brush, announced Jan. 2015 [online], [site visited Apr. 22, 2021]. Available from internet, URL: https://www.amazon.com/Olivia-Garden-NanoThermic-Ceramic-Thermal/dp/B003IX7AIQ/ref=sr_1_20 (Year: 2015).*

Sndyi Brush, announced 2020 [online], [site visited Apr. 22, 2021]. Available from internet, URL: https://www.amazon.com/Sndyi-Professional-Bristle-Strengthening-Sectioning/dp/B08FXBG4LD/ref=sr_1_24 (Year: 2020).*

* cited by examiner

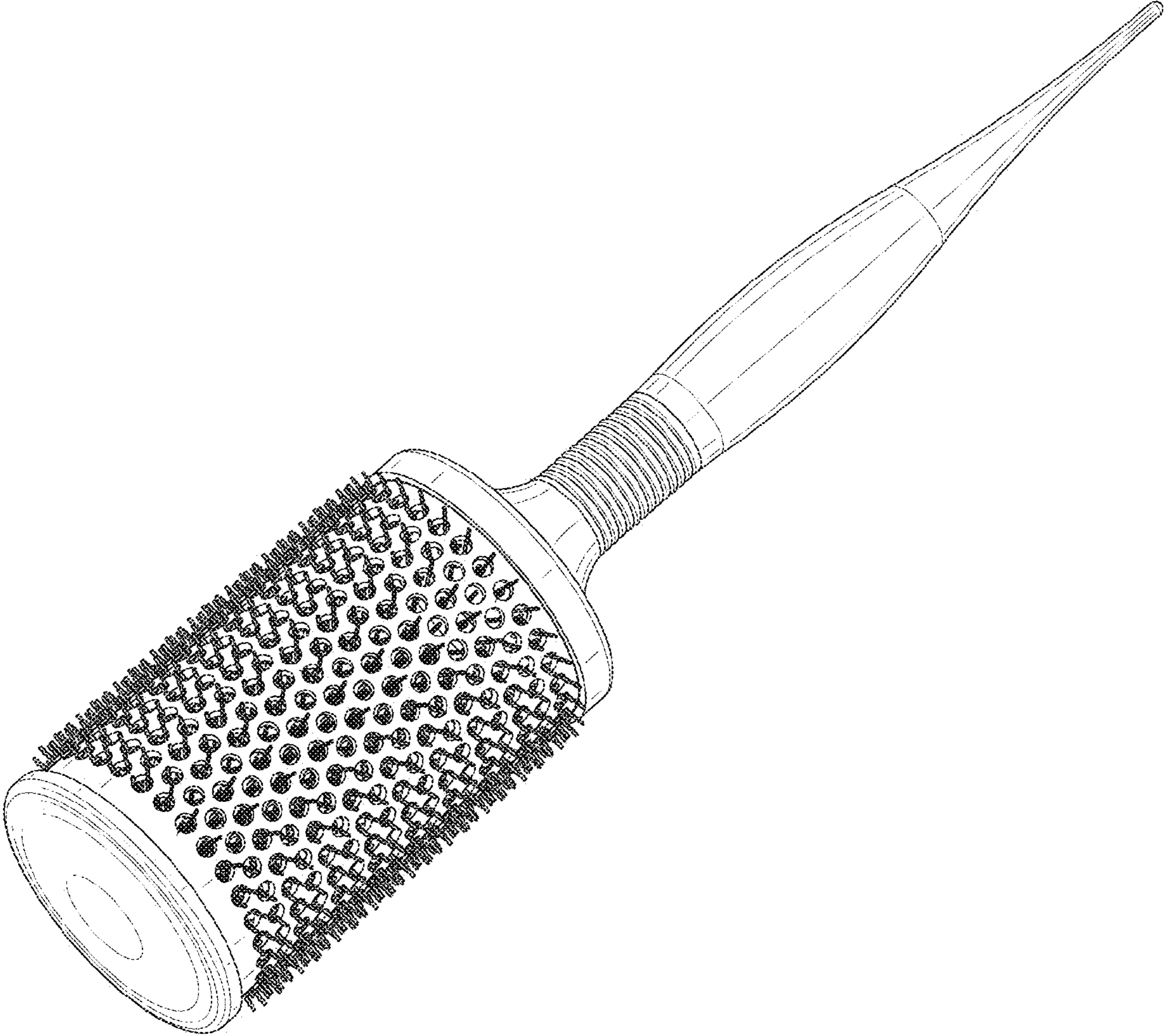


FIG. 1



FIG. 2

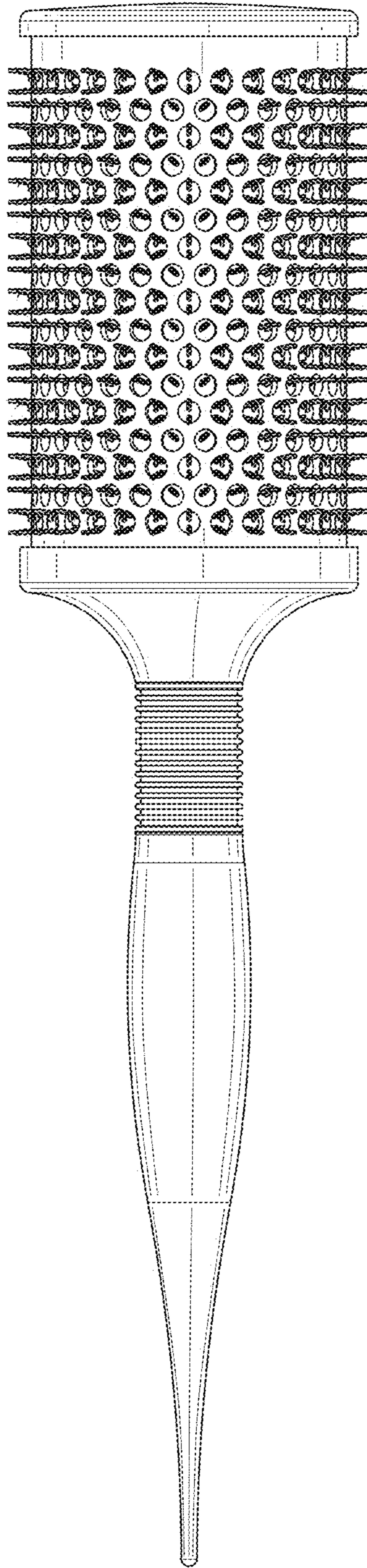


FIG. 3

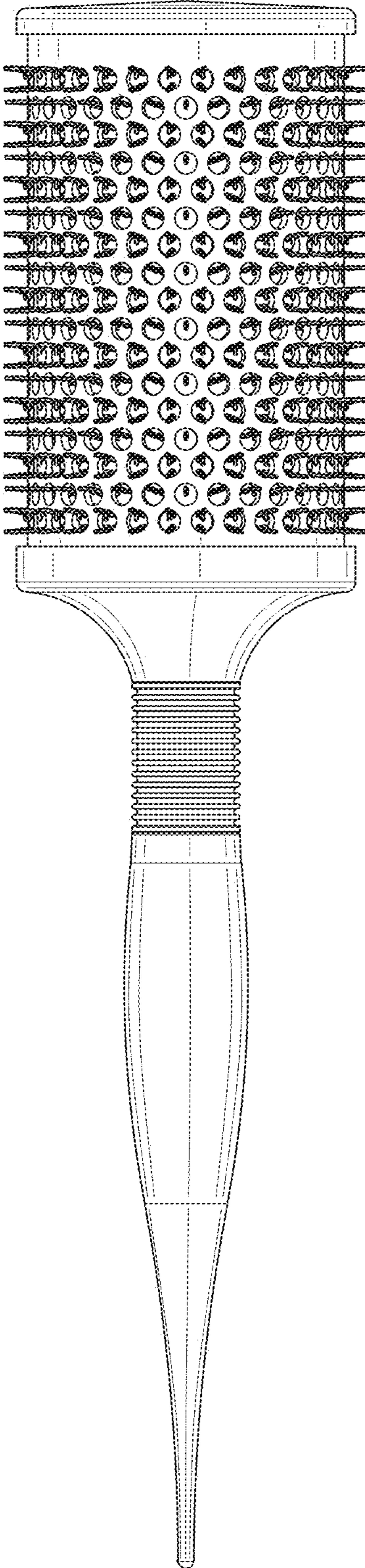


FIG. 4

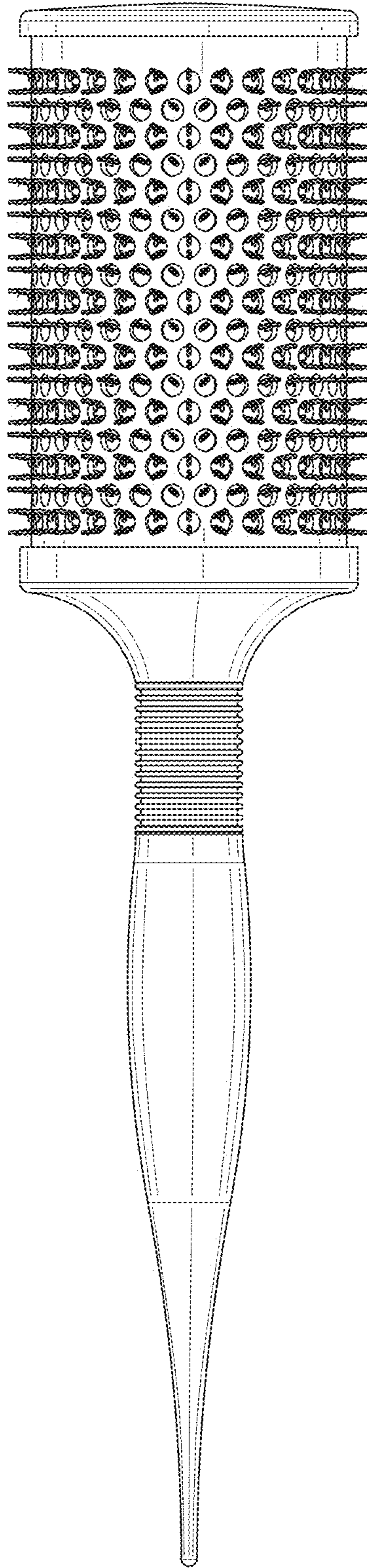


FIG. 5

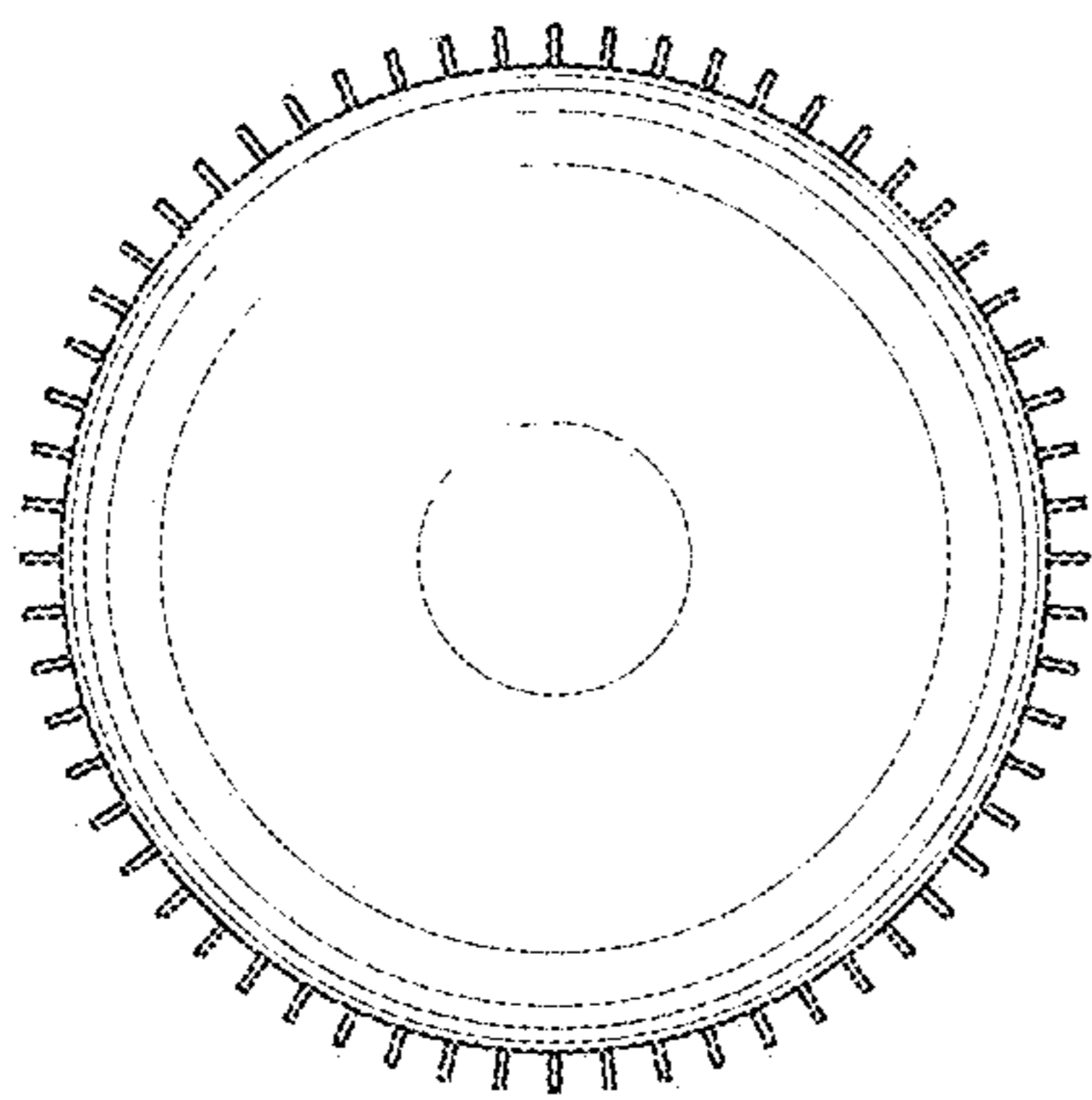


FIG. 6

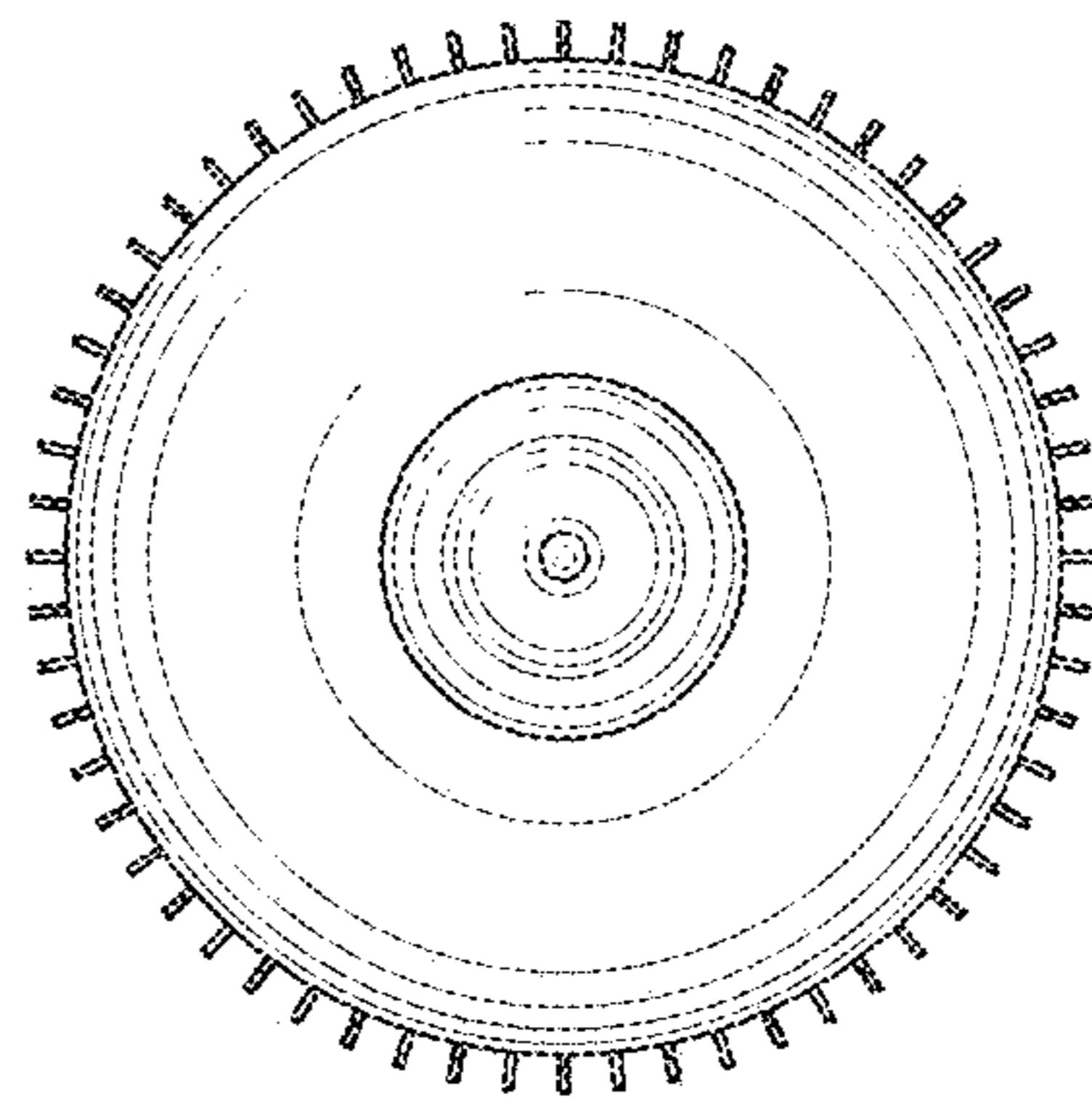


FIG. 7