



US00D941032S

(12) **United States Design Patent** (10) **Patent No.:** **US D941,032 S**  
**Chen** (45) **Date of Patent:** **\*\* Jan. 18, 2022**

(54) **SNOW BRUSH**

OTHER PUBLICATIONS

(71) Applicant: **Chongqing Maiyi Technology Co., Ltd.**, Chongqing (CN)

Astro AI Brush, announced Sep. 18, 2019 [online], [site visited Jul. 8, 2021], Available from internet, URL: [https://www.amazon.com/AstroAI-Detachable-Scraper-Ergonomic-Removal/dp/B07V37GVY9/ref=sr\\_1\\_1\\_sspa](https://www.amazon.com/AstroAI-Detachable-Scraper-Ergonomic-Removal/dp/B07V37GVY9/ref=sr_1_1_sspa) (Year: 2019).\*

(72) Inventor: **Zhuo Chen**, Chongqing (CN)

(Continued)

(73) Assignee: **Chongqing Maiyi Technology Co., Ltd.**, Chongqing (CN)

*Primary Examiner* — George A Bugg

*Assistant Examiner* — Tamara L Hahn

(\*\*) Term: **15 Years**

(74) *Attorney, Agent, or Firm* — Raymond Y. Chan; David and Raymond Patent Firm

(21) Appl. No.: **29/734,341**

(22) Filed: **May 12, 2020**

(51) **LOC (13) Cl.** ..... **04-99**

(57) **CLAIM**

(52) **U.S. Cl.**

USPC ..... **D4/118**

(58) **Field of Classification Search**

USPC ..... D4/114–137; D32/40–46, 49, 51, 52

CPC ... A46B 2200/3046; A47L 13/08; B60S 3/045

See application file for complete search history.

The ornamental design for a snow brush, as shown and described.

**DESCRIPTION**

(56) **References Cited**

**U.S. PATENT DOCUMENTS**

D441,198 S \* 5/2001 Primeau ..... D32/42  
D484,655 S \* 12/2003 Anderson ..... D32/42  
D485,032 S \* 1/2004 Anderson ..... D32/42  
D501,726 S \* 2/2005 Liu ..... D4/118  
D501,727 S \* 2/2005 Liu ..... D4/118  
D562,565 S \* 2/2008 Liu ..... D4/118  
D564,230 S \* 3/2008 Schouten ..... D32/49  
7,832,955 B1 \* 11/2010 Lefew ..... B60S 3/047  
401/265

FIG. 1 is a perspective view of the snow brush showing my new design;

FIG. 2 is another perspective view thereof;

FIG. 3 is a front view thereof;

FIG. 4 is a rear view thereof;

FIG. 5 is a left view thereof;

FIG. 6 is a right view thereof;

FIG. 7 is a top view thereof;

FIG. 8 is a bottom view thereof;

FIG. 9 is an exploded perspective view of FIG. 1, illustrating the snow brush being detached;

FIG. 10 is an exploded perspective view of FIG. 2, illustrating the snow brush being detached; and,

FIG. 11 is an enlarged perspective view of FIG. 9, illustrating a detachable joint of the snow brush.

The dot-dash-dot lines shown in the FIGS. 9 and 11 are to show enlarged portions of the snow brush and form no part of the claimed design.

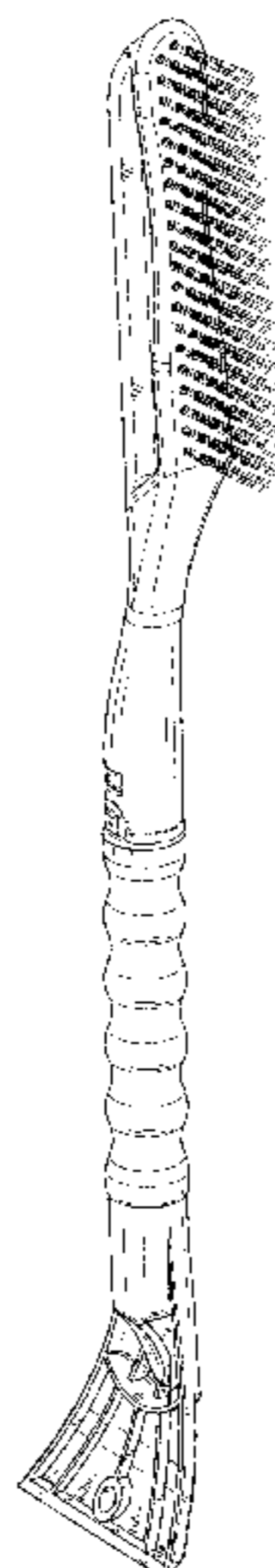
D652,218 S \* 1/2012 Hoffelner ..... D4/118  
D656,736 S \* 4/2012 Hoffelner ..... D4/118  
D704,449 S \* 5/2014 Ihde ..... D4/129  
9,107,490 B2 \* 8/2015 Lafleur ..... A46B 15/0081

(Continued)

**FOREIGN PATENT DOCUMENTS**

CN 302822530 \* 5/2014  
CN 303743487 \* 7/2016  
CN 305674996 \* 4/2020

**1 Claim, 11 Drawing Sheets**



(56)

**References Cited**

U.S. PATENT DOCUMENTS

9,221,432 B2 \* 12/2015 Blouin ..... A46B 3/08  
9,345,314 B2 \* 5/2016 Henningsen ..... B60S 3/045  
D829,444 S \* 10/2018 Blouin ..... D4/118  
D834,327 S \* 11/2018 Tschopp ..... D4/118  
D834,328 S \* 11/2018 Thompson ..... D4/118  
D834,829 S \* 12/2018 Thompson ..... D4/118  
D838,493 S \* 1/2019 Thuma ..... D4/118  
D913,698 S \* 3/2021 Bennett ..... D4/118  
D918,592 S \* 5/2021 Tang ..... D4/118

OTHER PUBLICATIONS

Matcc Bruch, announced Sep. 2020 [online], [site visited Jul. 8, 2021], Available from internet, URL: [https://www.amazon.com/MATCC-Scraper-Detachable-Windshield-MSB007/dp/B08BF4Q58Q/ref=sr\\_1\\_21](https://www.amazon.com/MATCC-Scraper-Detachable-Windshield-MSB007/dp/B08BF4Q58Q/ref=sr_1_21) (Year: 2020).\*

\* cited by examiner

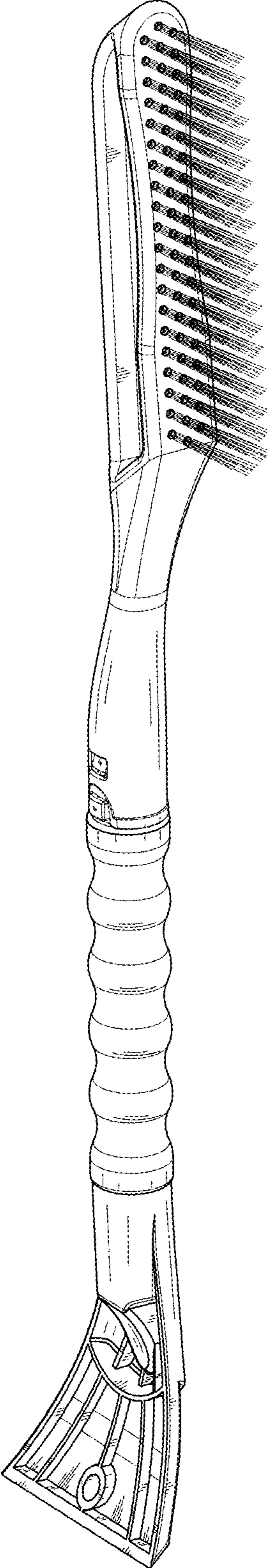


FIG.1

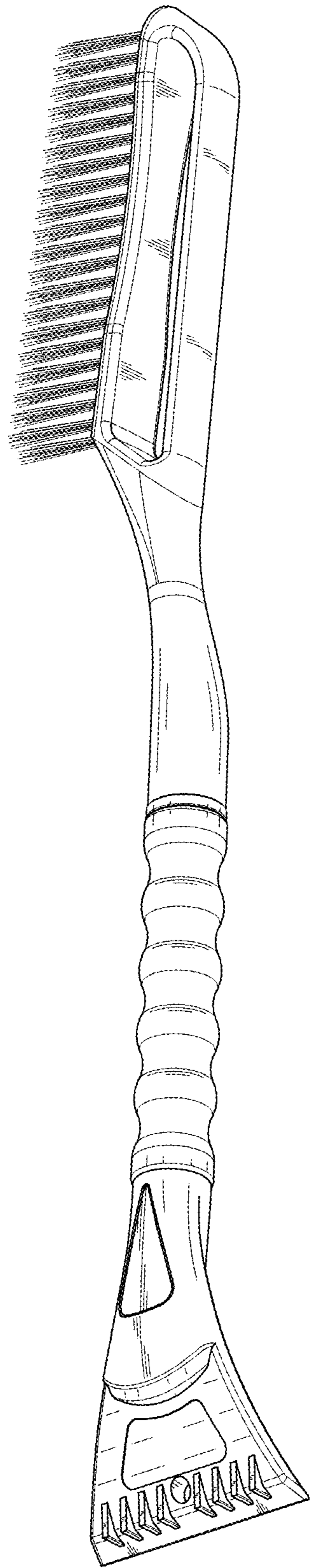


FIG.2

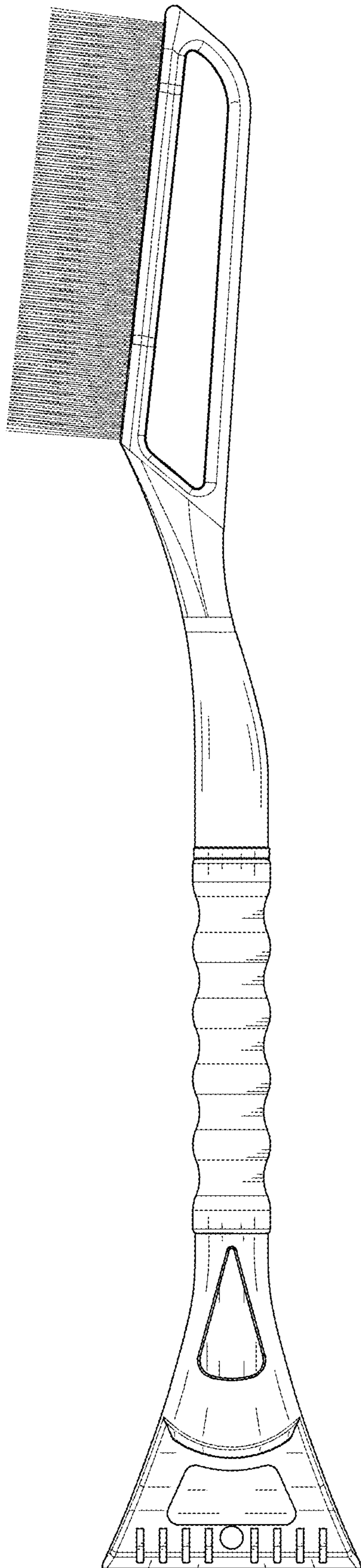


FIG.3

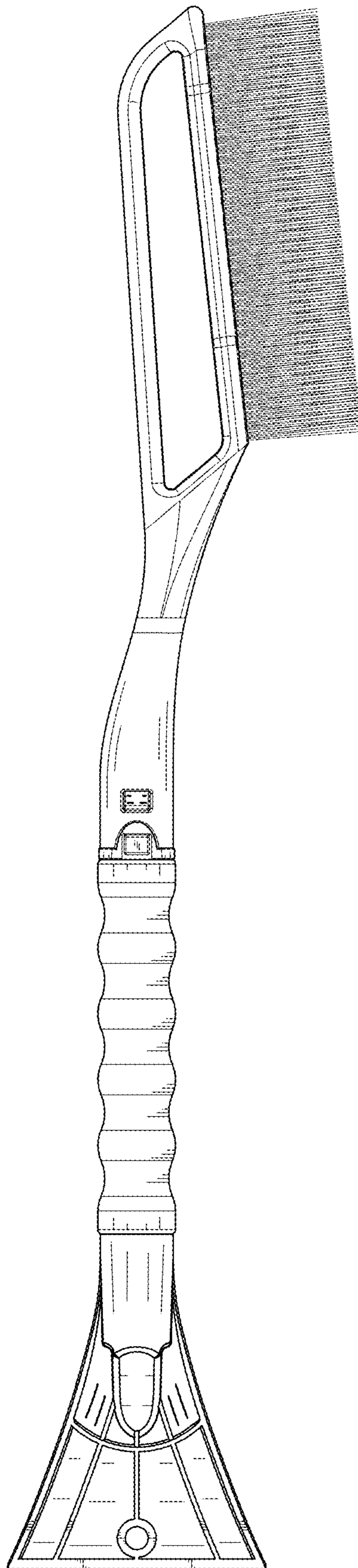


FIG.4

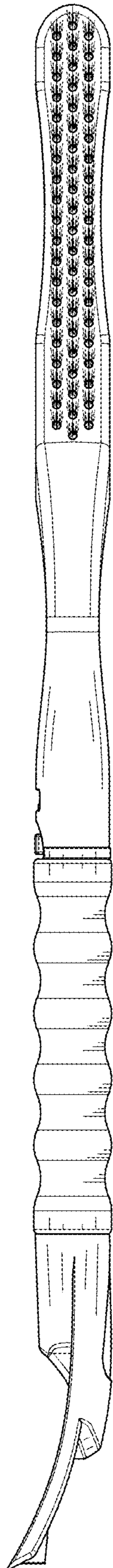


FIG.5

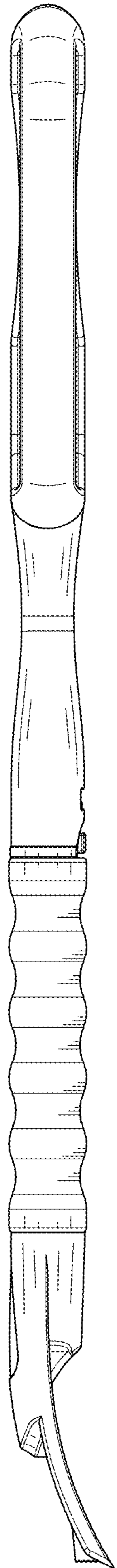


FIG.6



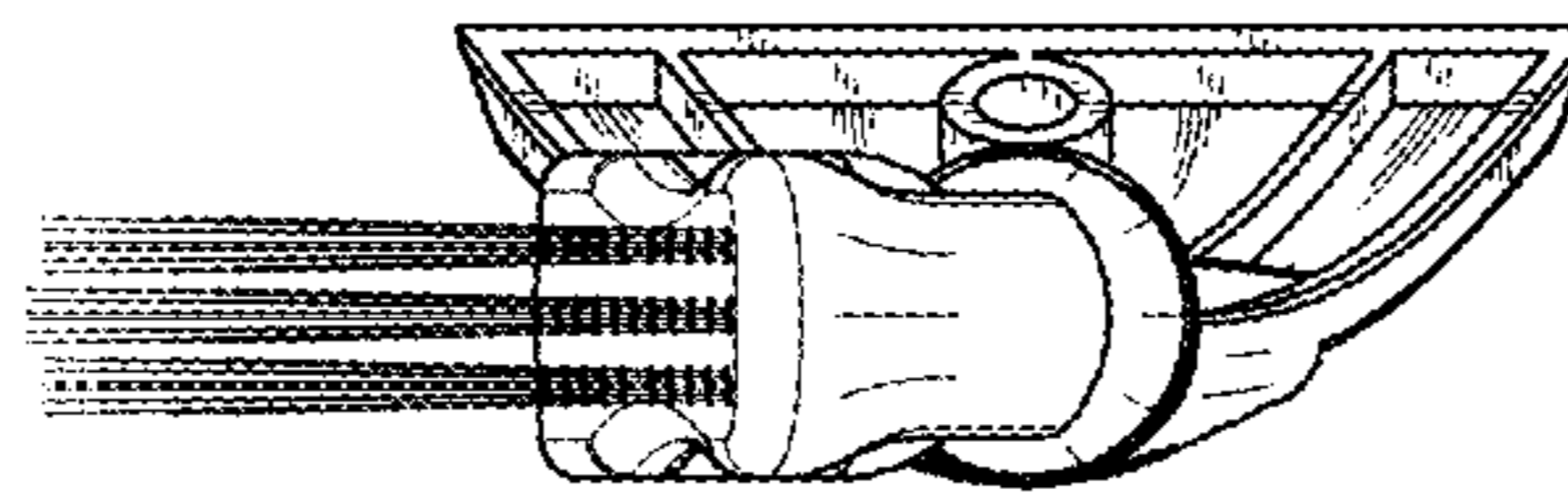


FIG.7

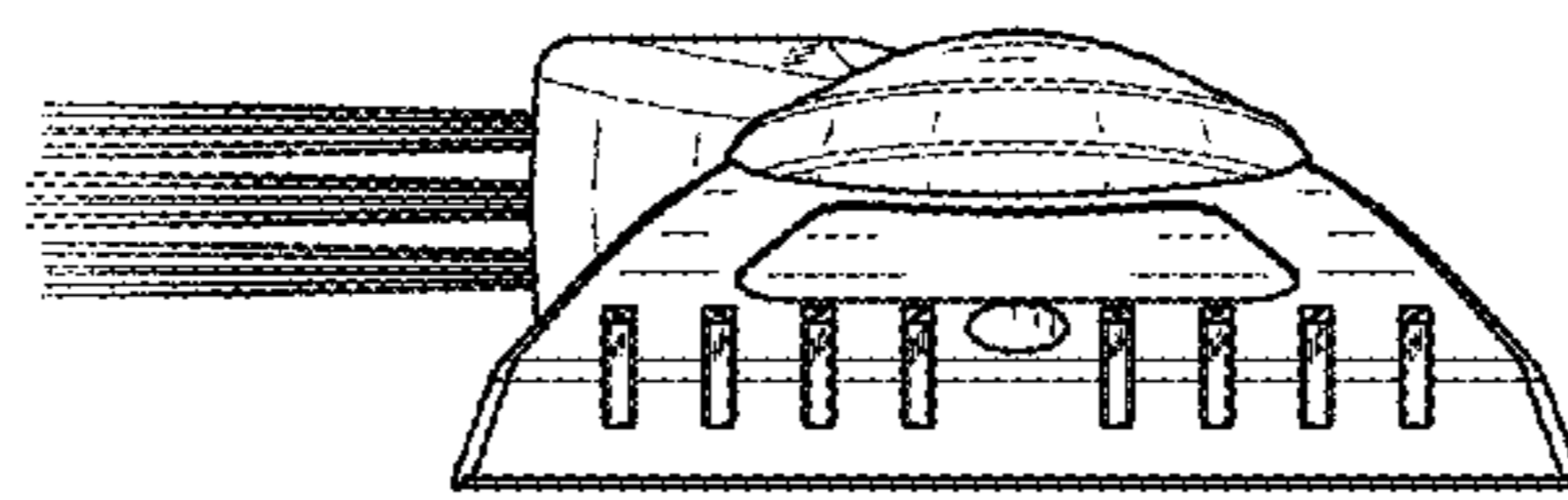


FIG.8

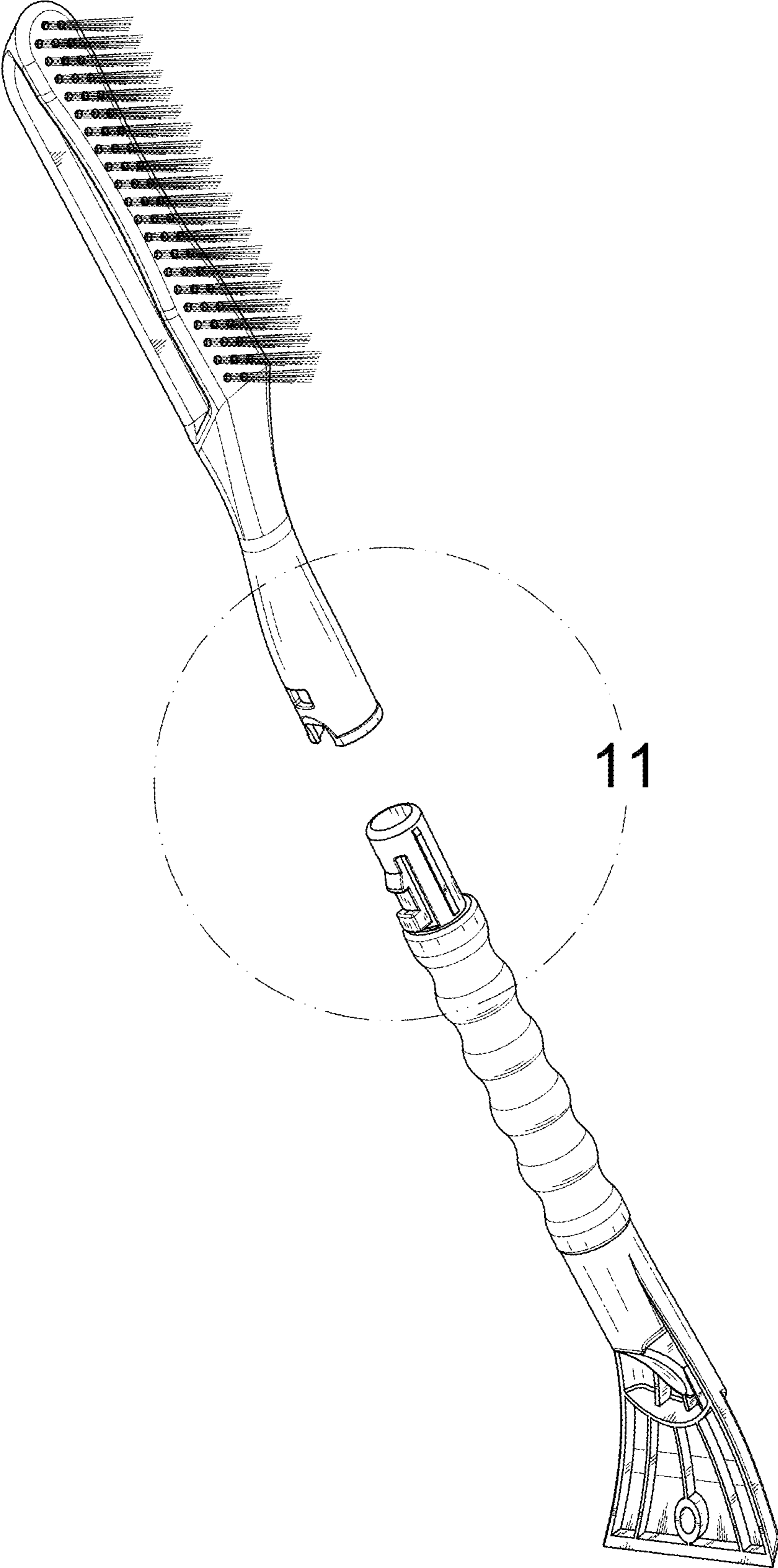


FIG.9

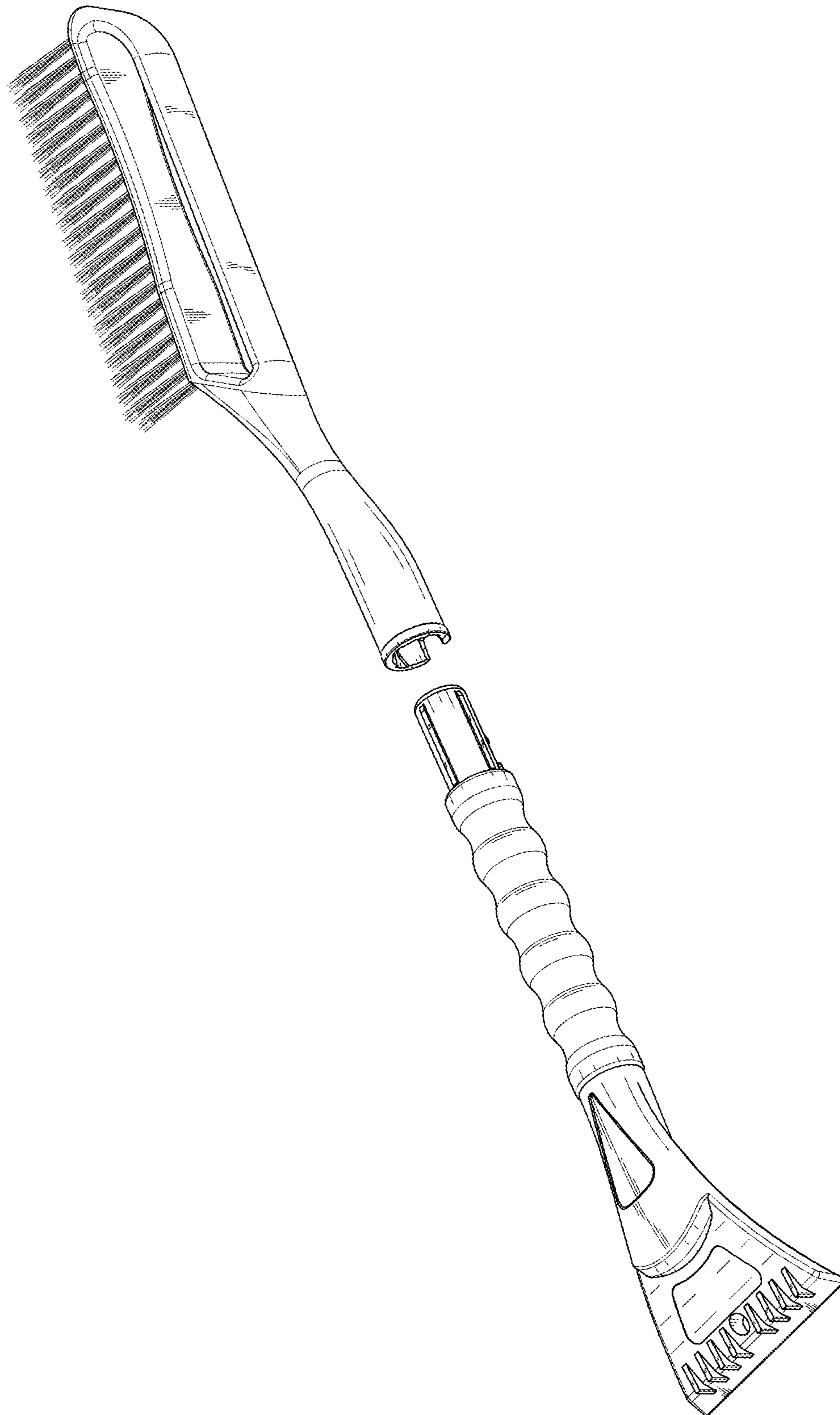


FIG.10

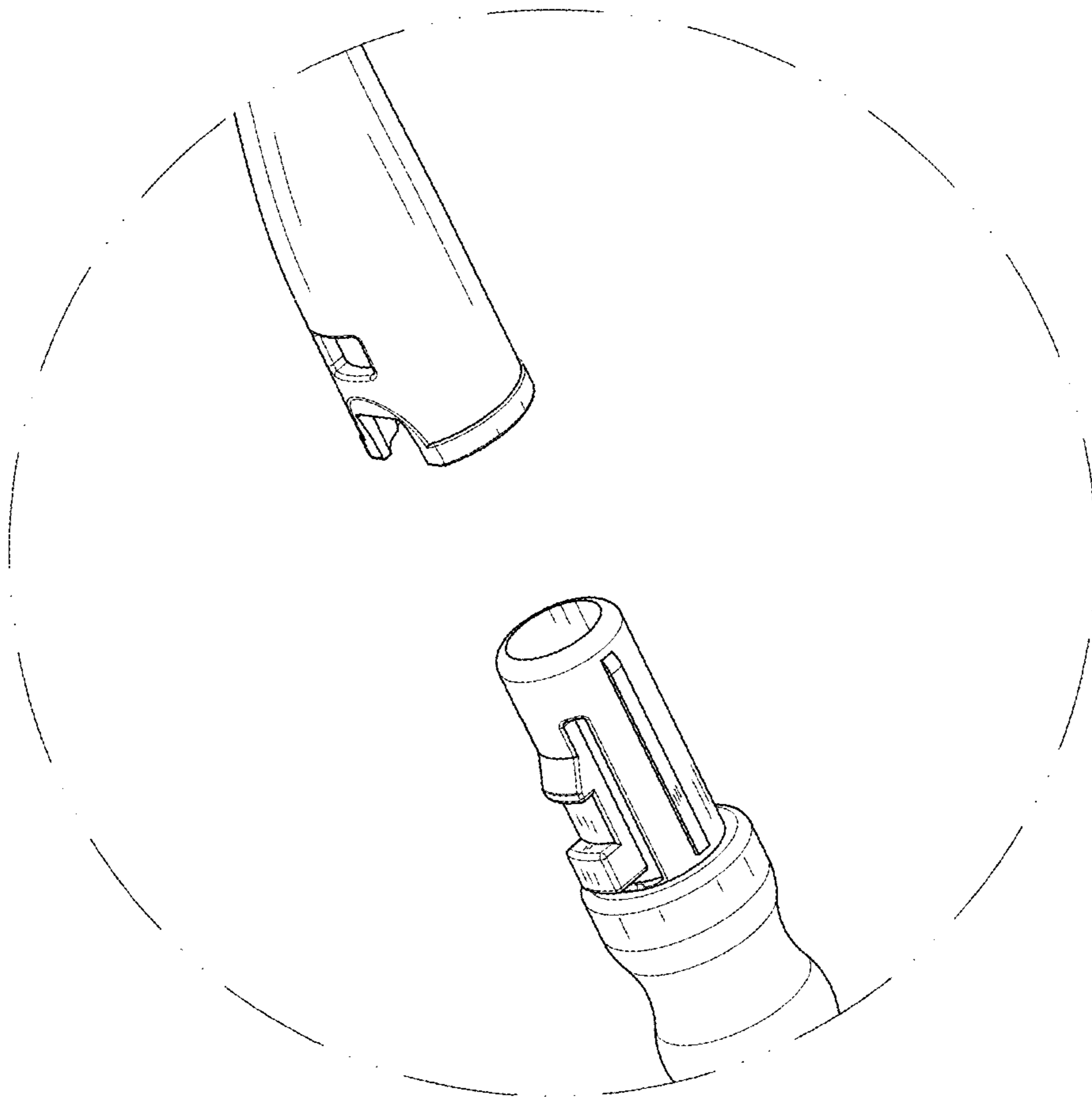


FIG.11