



US00D941029S

(12) **United States Design Patent**
Zhang

(10) **Patent No.:** **US D941,029 S**
(45) **Date of Patent:** **** Jan. 18, 2022**

(54) **COMB**
(71) Applicant: **Zhongshan Okay Plastics & Electronic Co., Ltd., Zhongshan (CN)**
(72) Inventor: **Rangming Zhang, Zhongshan (CN)**
(73) Assignee: **ZHONGSHAN OKAY PLASTICS & ELECTRONIC CO., LTD., Zhongshan (CN)**
(**) Term: **15 Years**

2,533,838 A * 12/1950 Ranft A46B 15/00
15/111
D263,001 S * 2/1982 Wistrand D28/13
D334,475 S * 4/1993 Quondamatteo D4/116
D441,963 S * 5/2001 Harris D4/118
D573,317 S * 7/2008 McKay D30/159
D631,604 S * 1/2011 Michaels D28/30
D716,493 S * 10/2014 Michaels A45D 24/00
D28/30
D764,178 S * 8/2016 Taylor, Jr. D4/118
D809,204 S * 1/2018 von Berg D28/25
D832,584 S * 11/2018 Composto D4/100
D862,087 S * 10/2019 Ma D4/100

(Continued)

(21) Appl. No.: **29/754,497**
(22) Filed: **Oct. 12, 2020**
(51) **LOC (13) Cl.** **28-03**
(52) **U.S. Cl.**
USPC **D4/100; D4/134**
(58) **Field of Classification Search**
USPC D4/100, 102, 117, 118, 119, 120, 121,
D4/127, 128, 129, 130, 132, 133, 134,
D4/136, 137, 138, 199; D28/18, 24, 25,
D28/28, 35, 13; D19/904, 906;
D30/158, 159
CPC A46B 5/02; A46B 9/005; A46B 9/023;
A46B 9/02; A46B 9/06; A46B 2200/104;
A46B 5/026; A46B 5/005; A46B 15/003;
A46B 15/0059; A45D 20/48; A45D
20/50; A45D 20/52; A45D 24/007; A45D
2/001; A45D 2/002; A45D 7/02
See application file for complete search history.

Primary Examiner — Karen E Eldridge Powers
(74) *Attorney, Agent, or Firm* — Tarter Krinsky & Drogin LLP

(57) **CLAIM**

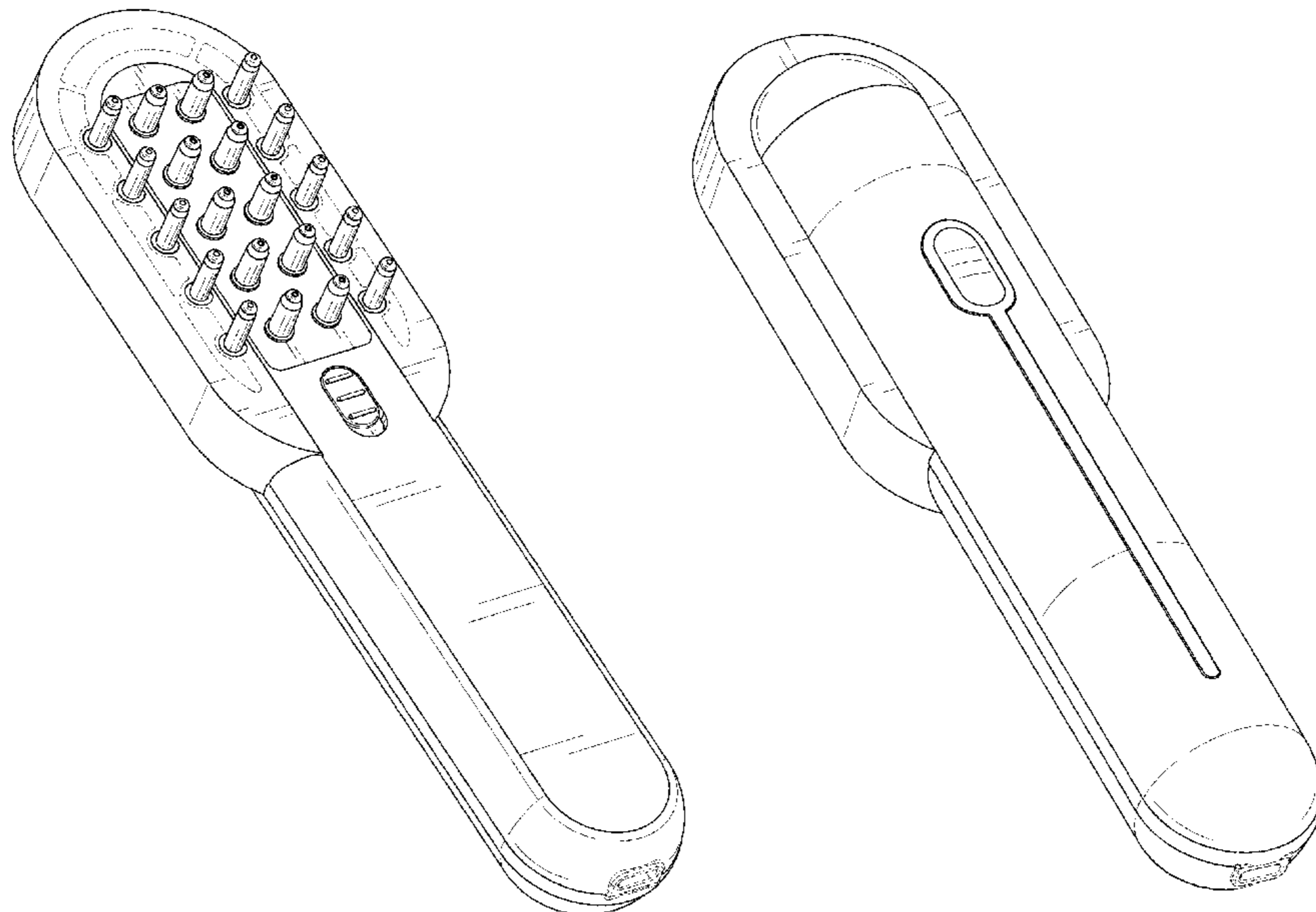
The ornamental design for a comb, as shown and described.

DESCRIPTION

FIG. 1 is a front perspective view of a comb of the present disclosure;
FIG. 2 is a rear perspective view of the comb shown in FIG. 1;
FIG. 3 is a front elevational view of the comb shown in FIG. 1;
FIG. 4 is a rear elevational view of the comb shown in FIG. 1;
FIG. 5 is a left-side elevational view of the comb shown in FIG. 1;
FIG. 6 is a right-side elevational view of the comb shown in FIG. 1;
FIG. 7 is a top plan view of the comb shown in FIG. 1; and,
FIG. 8 is a bottom plan view of the comb shown in FIG. 1.
The broken lines shown in the drawings are for the purpose of illustrating portions of the comb that form no part of the claimed design.

(56) **References Cited**
U.S. PATENT DOCUMENTS
1,004,646 A * 10/1911 Hawkes A46B 9/02
15/160
1,903,520 A * 4/1933 Sturgis A46B 9/06
15/200

1 Claim, 8 Drawing Sheets



(56)

References Cited

U.S. PATENT DOCUMENTS

D898,376 S * 10/2020 Johnson D4/134
D924,483 S * 7/2021 Zhang D28/25
11,140,963 B2 * 10/2021 Jeon A61H 23/00

* cited by examiner

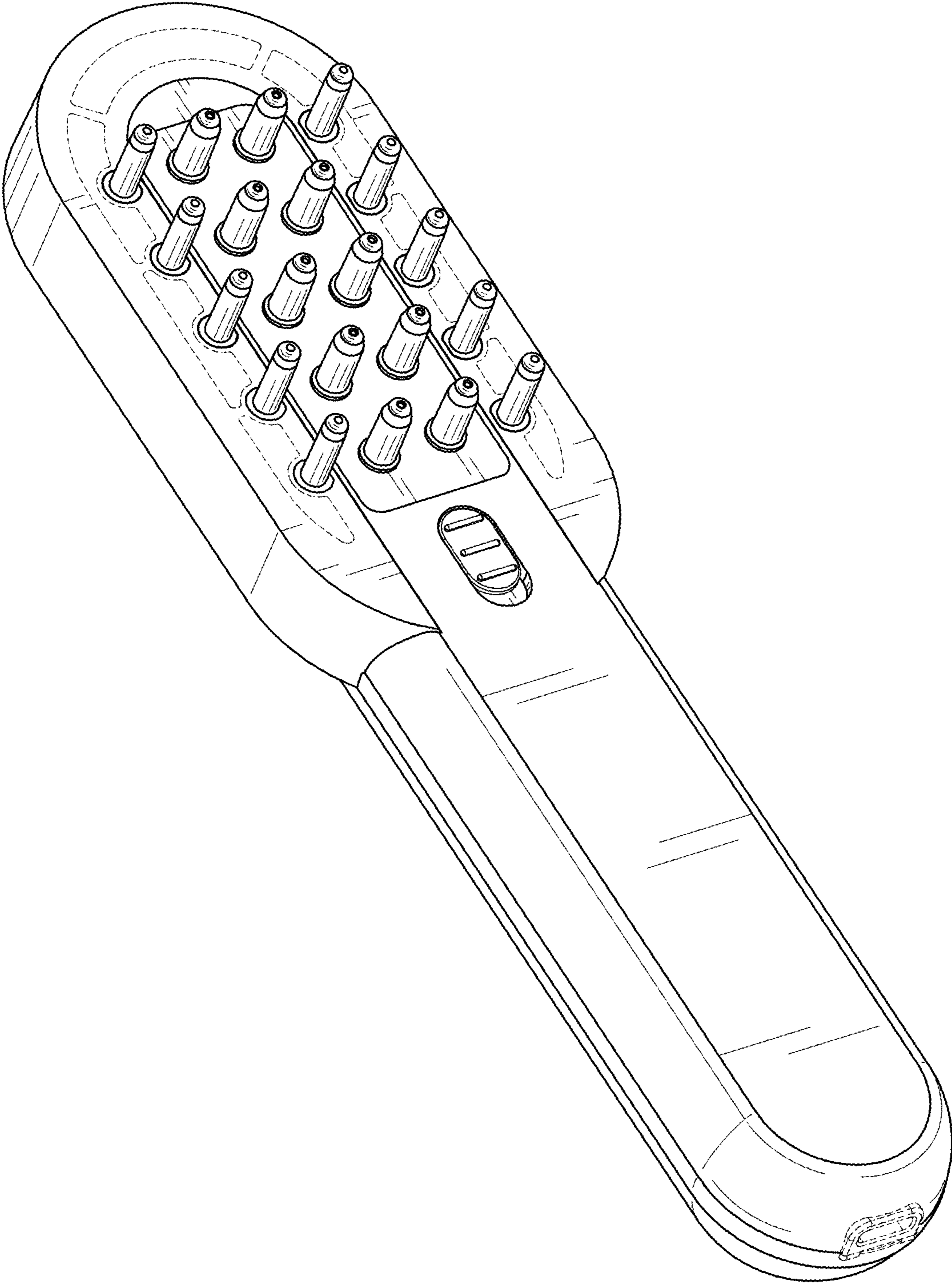


FIG. 1

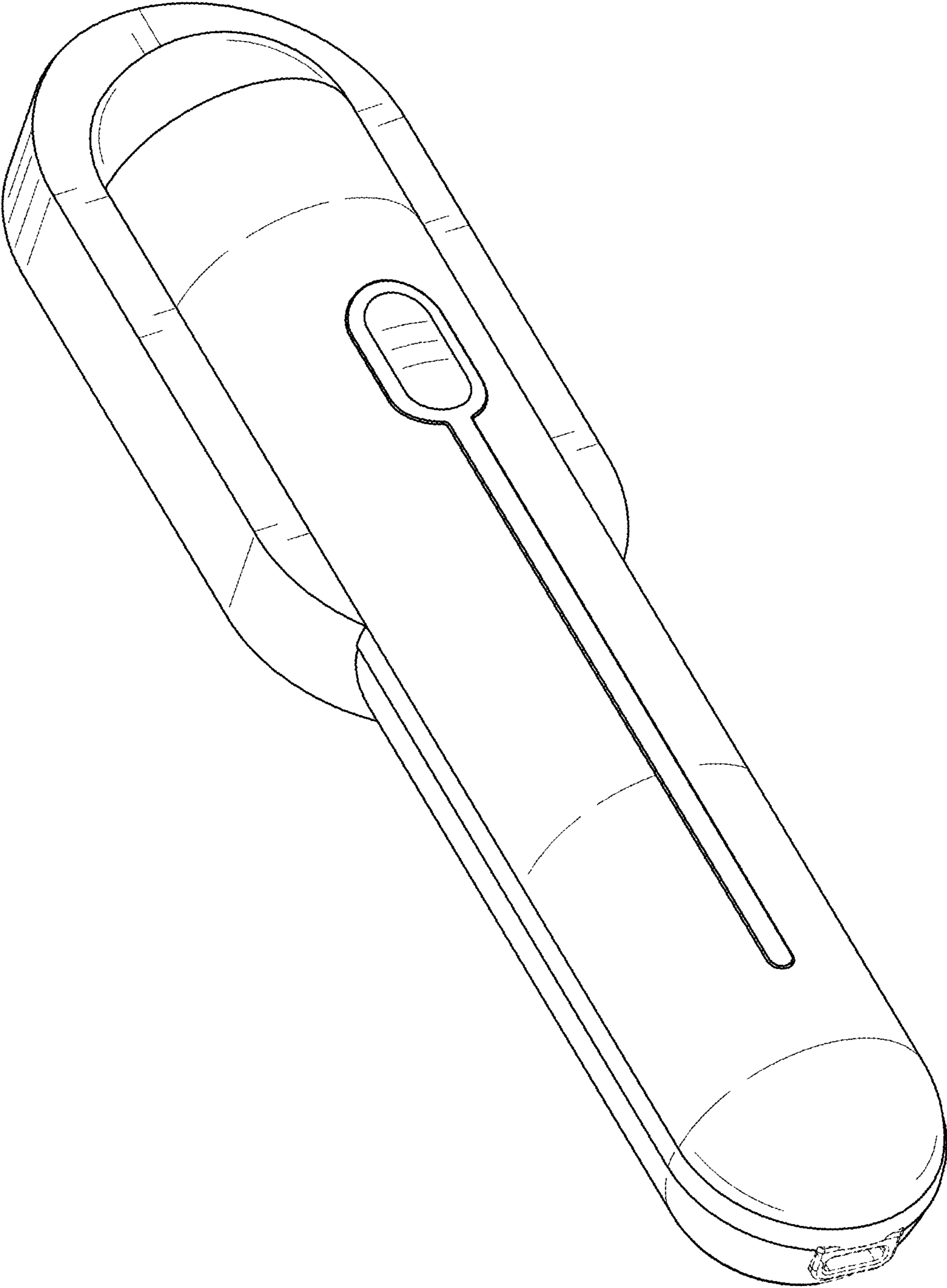


FIG. 2

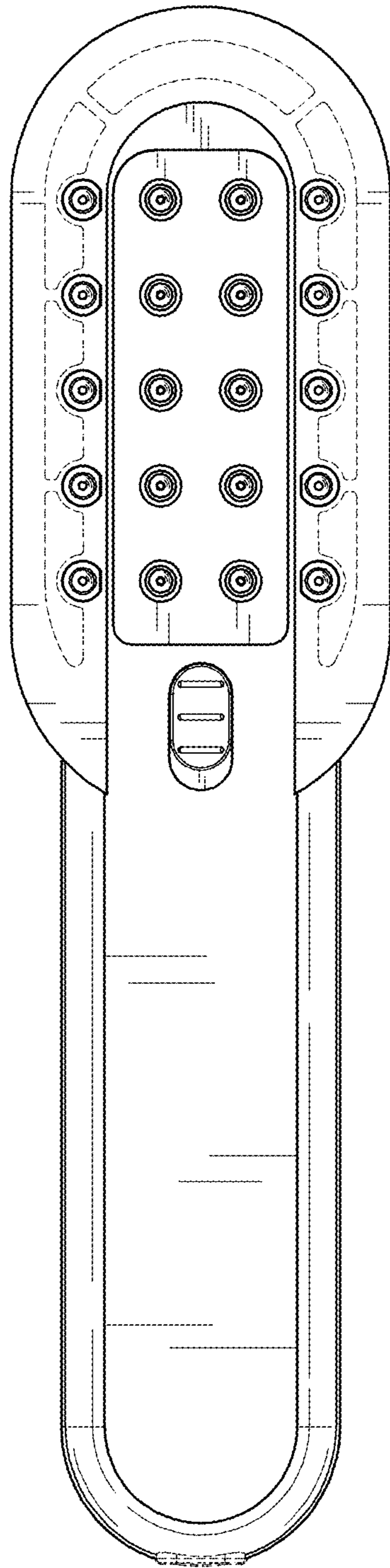


FIG. 3

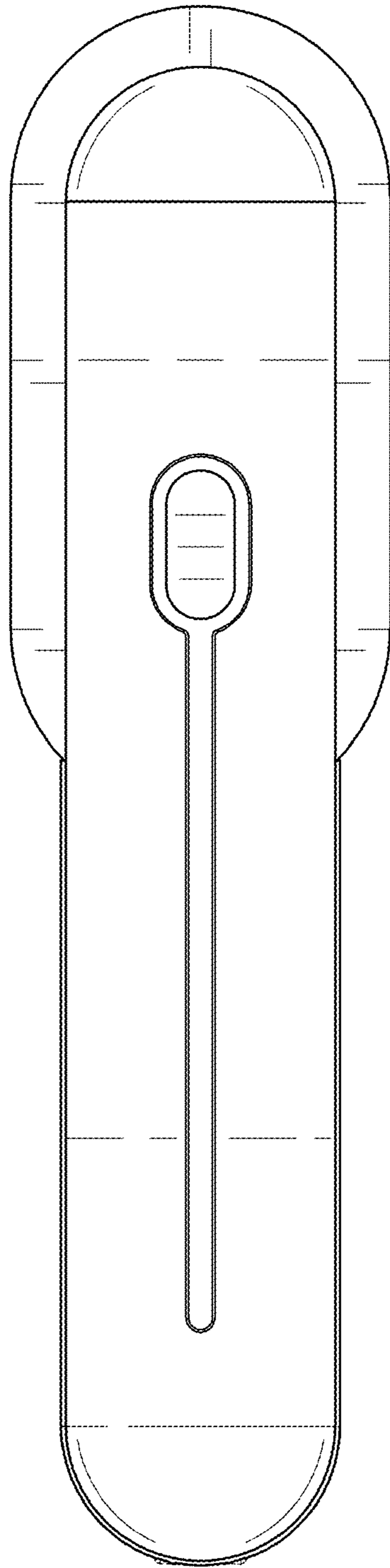


FIG. 4

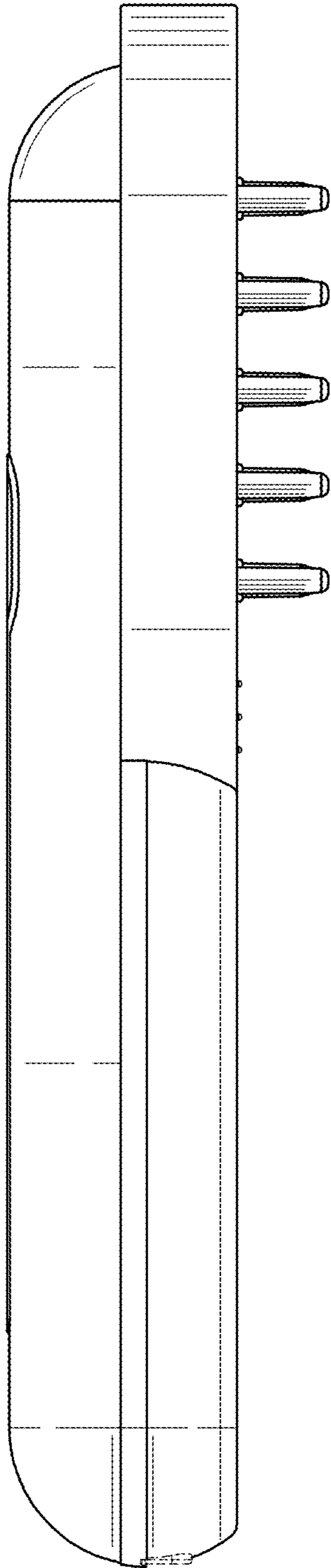


FIG. 5

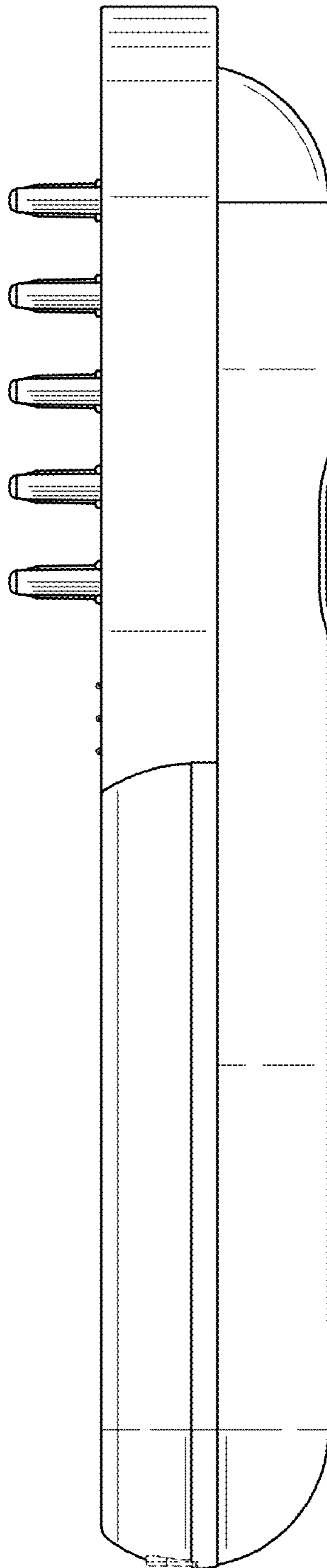


FIG. 6

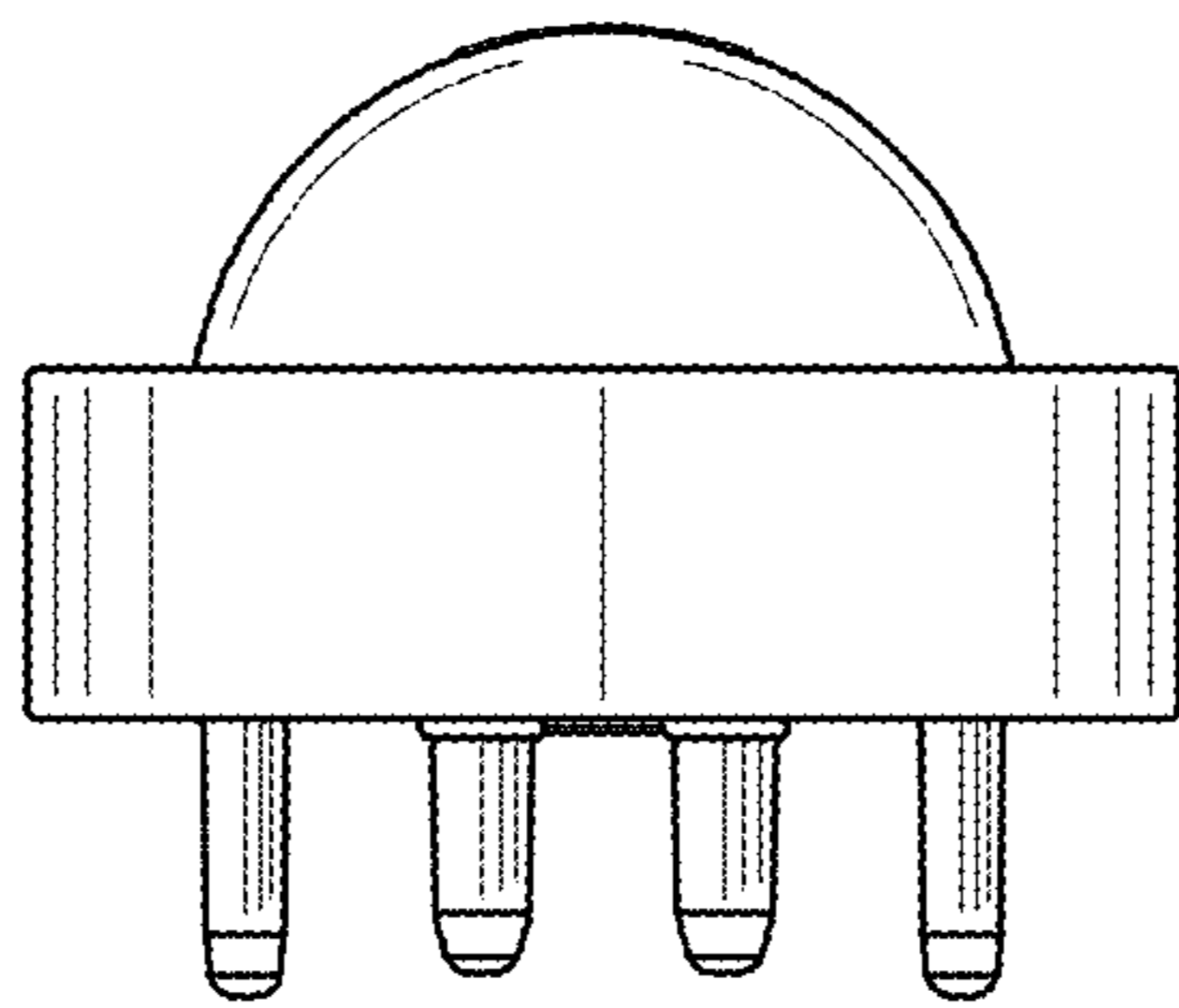


FIG. 7

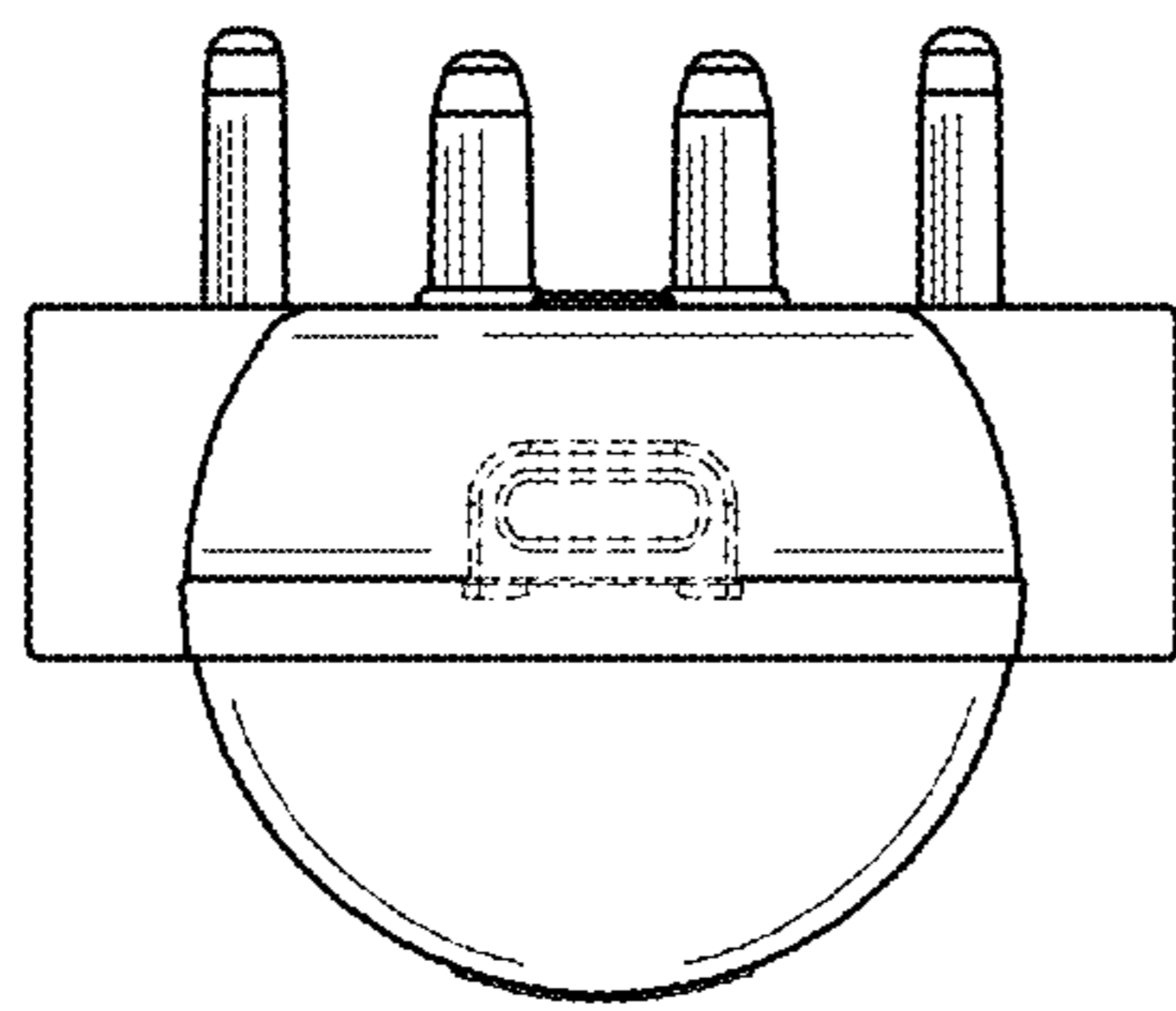


FIG. 8