



US00D941028S

(12) **United States Design Patent**  
**Roth**

(10) **Patent No.:** **US D941,028 S**  
(45) **Date of Patent:** **\*\* Jan. 18, 2022**

(54) **UTILITY BOX COVER**

(71) Applicant: **Russell William Roth**, Ashville, OH  
(US)

(72) Inventor: **Russell William Roth**, Ashville, OH  
(US)

(\*\*) Term: **15 Years**

(21) Appl. No.: **29/690,535**

(22) Filed: **May 8, 2019**

(51) **LOC (13) Cl.** ..... **03-01**

(52) **U.S. Cl.**  
USPC ..... **D3/318**

(58) **Field of Classification Search**  
USPC ..... D3/272, 273, 302, 318, 323; D7/538,  
D7/605, 629; D9/432; D13/173, 177,  
D13/184, 199  
CPC ..... B65D 55/02; B65D 90/06; B65D 90/105;  
E02D 29/14; E02D 29/1427; E02D  
29/1454; E05B 65/006; H02B 1/38;  
H02B 1/44

See application file for complete search history.

(56) **References Cited**

U.S. PATENT DOCUMENTS

- 4,534,132 A 8/1985 Smith
- 4,567,697 A \* 2/1986 Hahne ..... E02D 29/149  
404/25
- 5,880,401 A \* 3/1999 Leischner ..... H02B 1/28  
174/17 CT
- 6,021,606 A \* 2/2000 Kos ..... E02D 29/124  
16/289
- 6,772,566 B1 8/2004 Machledt et al.
- 6,899,240 B2 \* 5/2005 Dang ..... E03B 7/095  
220/3.8
- 7,475,515 B2 1/2009 Machledt et al.
- 7,607,553 B2 \* 10/2009 Weber ..... H02G 3/086  
174/562
- D654,693 S \* 2/2012 Freeman ..... D3/318
- D662,323 S \* 6/2012 Jurich ..... D3/318
- 8,347,670 B2 1/2013 Rix

- D682,553 S \* 5/2013 Jurich ..... D3/318
  - 9,021,842 B2 5/2015 Rix
  - 9,174,798 B2 \* 11/2015 Freeman ..... H02G 9/10
- (Continued)

FOREIGN PATENT DOCUMENTS

EP 2078116 B1 2/2012

OTHER PUBLICATIONS

Acudor UF-5000 36x24 Inch Universal Flush Mount Access Panel Door; Feb. 3, 2015; 2 pgs.;[https://www.amazon.com/Acudor-UF-5000%E2%82%AC-Universal-Access/dp/B074R8GMF6/ref=sr\\_1\\_10?dchild=1&keywords=Acudor+36x36+Aluminum+Floor+Door-Channel+Frame+With+Drain&qid=1630610759&sr=8-10.\\*](https://www.amazon.com/Acudor-UF-5000%E2%82%AC-Universal-Access/dp/B074R8GMF6/ref=sr_1_10?dchild=1&keywords=Acudor+36x36+Aluminum+Floor+Door-Channel+Frame+With+Drain&qid=1630610759&sr=8-10.*)

(Continued)

*Primary Examiner* — Selina Sikder  
(74) *Attorney, Agent, or Firm* — The Law Office of Patrick F. O'Reilly III, LLC

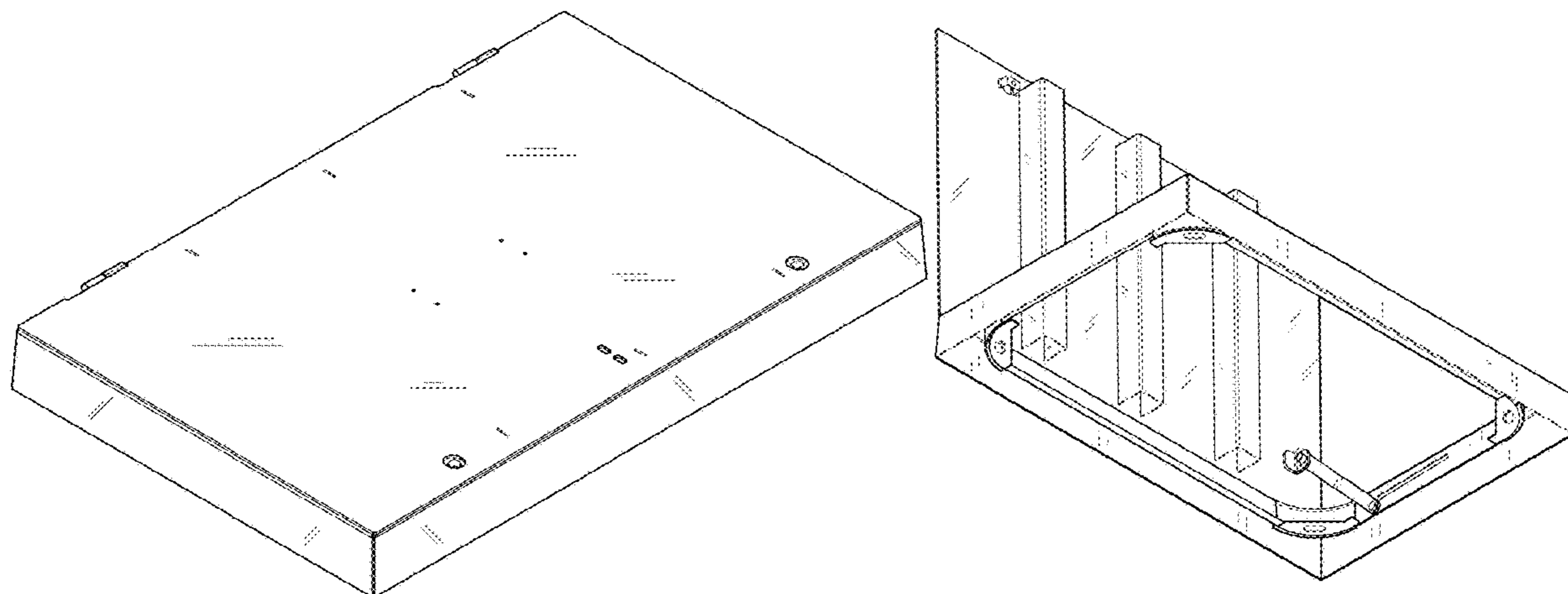
(57) **CLAIM**

The ornamental design for a utility box cover, as shown and described.

**DESCRIPTION**

FIG. 1 is a top-front perspective view of a utility box cover showing my new design, wherein the cover lid is depicted in a closed position;  
FIG. 2 is a top plan view thereof;  
FIG. 3 is a bottom plan view thereof;  
FIG. 4 is a front elevational view thereof;  
FIG. 5 is a rear elevational view thereof;  
FIG. 6 is a right side elevational view thereof;  
FIG. 7 is a left side elevational view thereof;  
FIG. 8 is a bottom-front perspective view thereof;  
FIG. 9 is another top-front perspective view thereof, wherein the cover lid is depicted in an open position; and,  
FIG. 10 is another bottom-front perspective view thereof, wherein the cover lid is depicted in an open position.

**1 Claim, 5 Drawing Sheets**



(56)

**References Cited**

U.S. PATENT DOCUMENTS

9,312,671 B2 4/2016 Procunier  
 D765,397 S \* 9/2016 Reinhart ..... D3/303  
 9,435,099 B2 \* 9/2016 Dang ..... E02D 29/1427  
 D773,821 S \* 12/2016 Reinhart ..... D3/318  
 9,919,853 B2 \* 3/2018 Freeman ..... B65D 55/02  
 10,240,316 B2 \* 3/2019 Dang ..... E05B 65/006  
 10,547,168 B2 \* 1/2020 Tipton ..... H02G 9/10  
 10,947,693 B2 \* 3/2021 Dang ..... E02D 29/14  
 2010/0329782 A1 \* 12/2010 Miller ..... E02D 29/1454  
 404/25  
 2012/0111597 A1 \* 5/2012 Korcz ..... H02G 3/14  
 174/67  
 2012/0111866 A1 \* 5/2012 Freeman ..... H05K 5/0221  
 220/484  
 2012/0262037 A1 \* 10/2012 Qin ..... H02G 3/185  
 312/223.1  
 2014/0284326 A1 9/2014 Macaluso et al.  
 2015/0321335 A1 \* 11/2015 Lai ..... B65D 43/164  
 206/349

2015/0372467 A1 \* 12/2015 Wade ..... H05K 5/0217  
 174/481  
 2016/0053521 A1 \* 2/2016 Unger ..... H02G 3/18  
 220/3.8  
 2018/0050851 A1 \* 2/2018 Chu ..... B65D 25/28  
 2018/0100284 A1 \* 4/2018 Isaacson ..... E02D 29/1454  
 2018/0155098 A1 \* 6/2018 Agbaje ..... E05B 65/52  
 2019/0305535 A1 \* 10/2019 Thompson ..... H02B 1/28  
 2020/0083688 A1 \* 3/2020 Baldwin ..... H02G 3/14

OTHER PUBLICATIONS

U.S.F. Fabrication , Utility Access Doors Brochure; 2011; 6  
 pgs.;[https://www.usffab.com/usffab-products/electronic\\_media\\_library/brochures/Utility%20Access%20Doors%20Brochure.pdf](https://www.usffab.com/usffab-products/electronic_media_library/brochures/Utility%20Access%20Doors%20Brochure.pdf).  
 Bilco, Best Materials Commercial Products; 2017; 39 pgs.; [https://www.bestmaterials.com/PDF\\_Files/Bilco-Roof-Hatches.pdf](https://www.bestmaterials.com/PDF_Files/Bilco-Roof-Hatches.pdf).  
 EJ Group Inc., Access Hatch Solutions; 2017; 40pgs.; [https://emea.ejco.com/wcsstore/EJIW-USA/EJIWAssets/Brochures%20&%20Sell%20Sheets/Content\\_Access\\_Hatch\\_Solutions\\_0316\\_LR.pdf](https://emea.ejco.com/wcsstore/EJIW-USA/EJIWAssets/Brochures%20&%20Sell%20Sheets/Content_Access_Hatch_Solutions_0316_LR.pdf).

\* cited by examiner

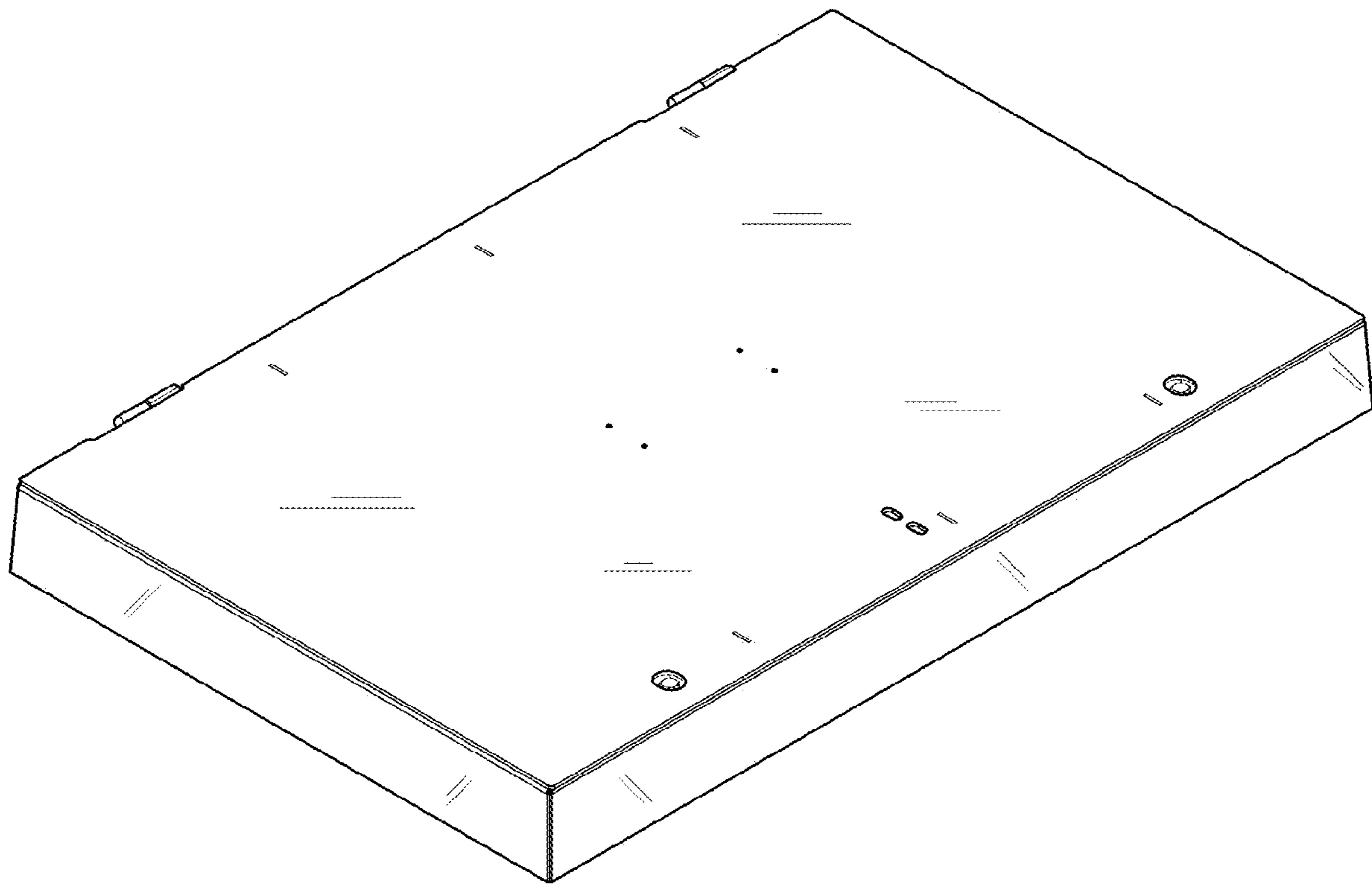


FIG. 1

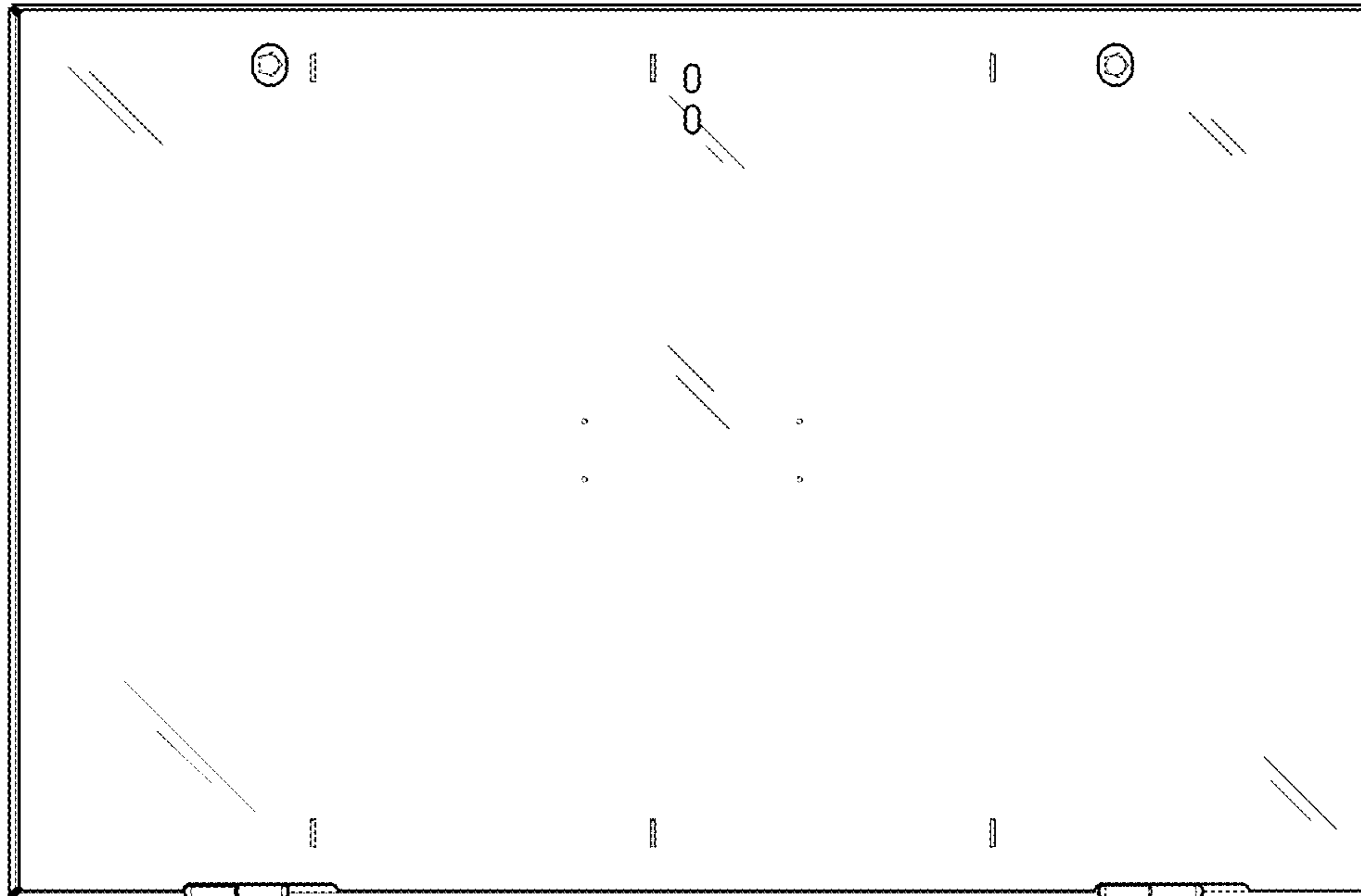


FIG. 2

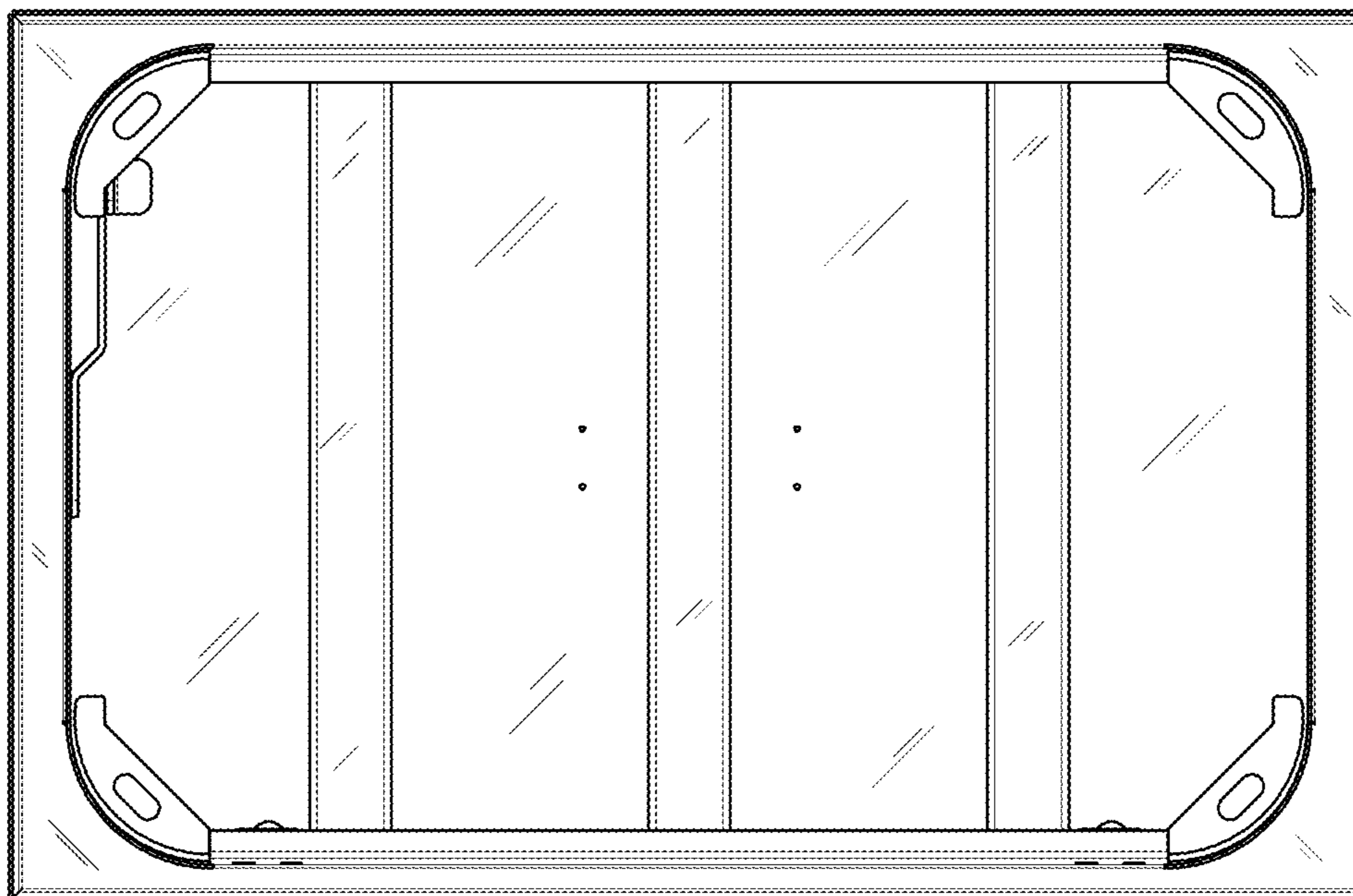


FIG. 3

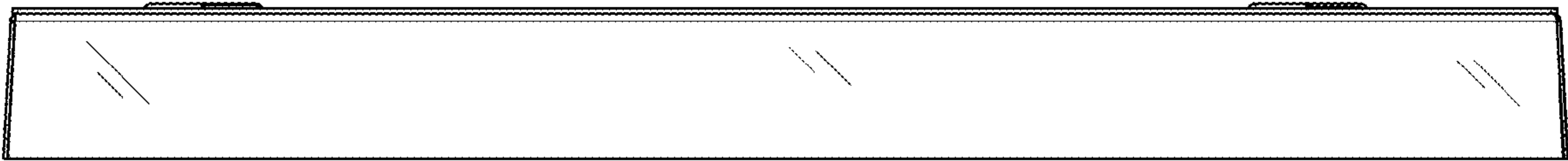


FIG. 4

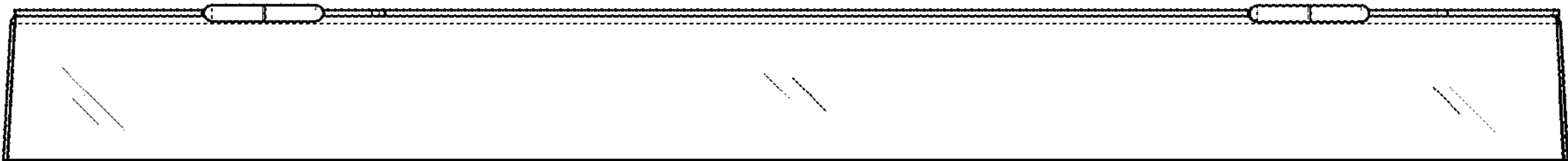


FIG. 5

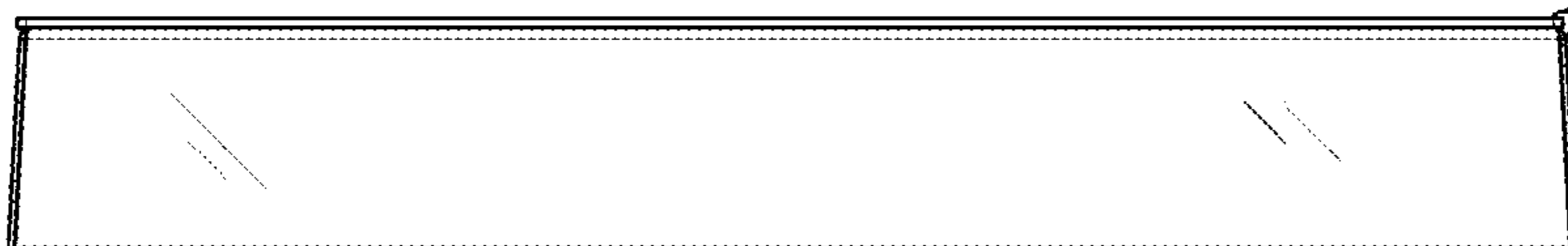


FIG. 6

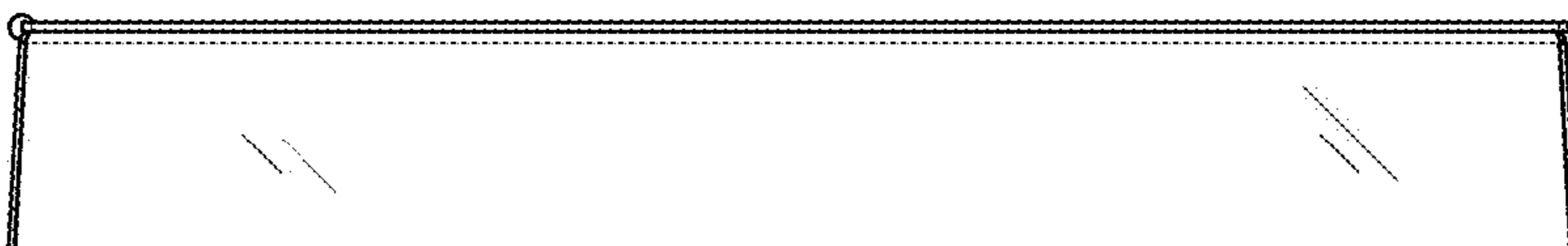


FIG. 7

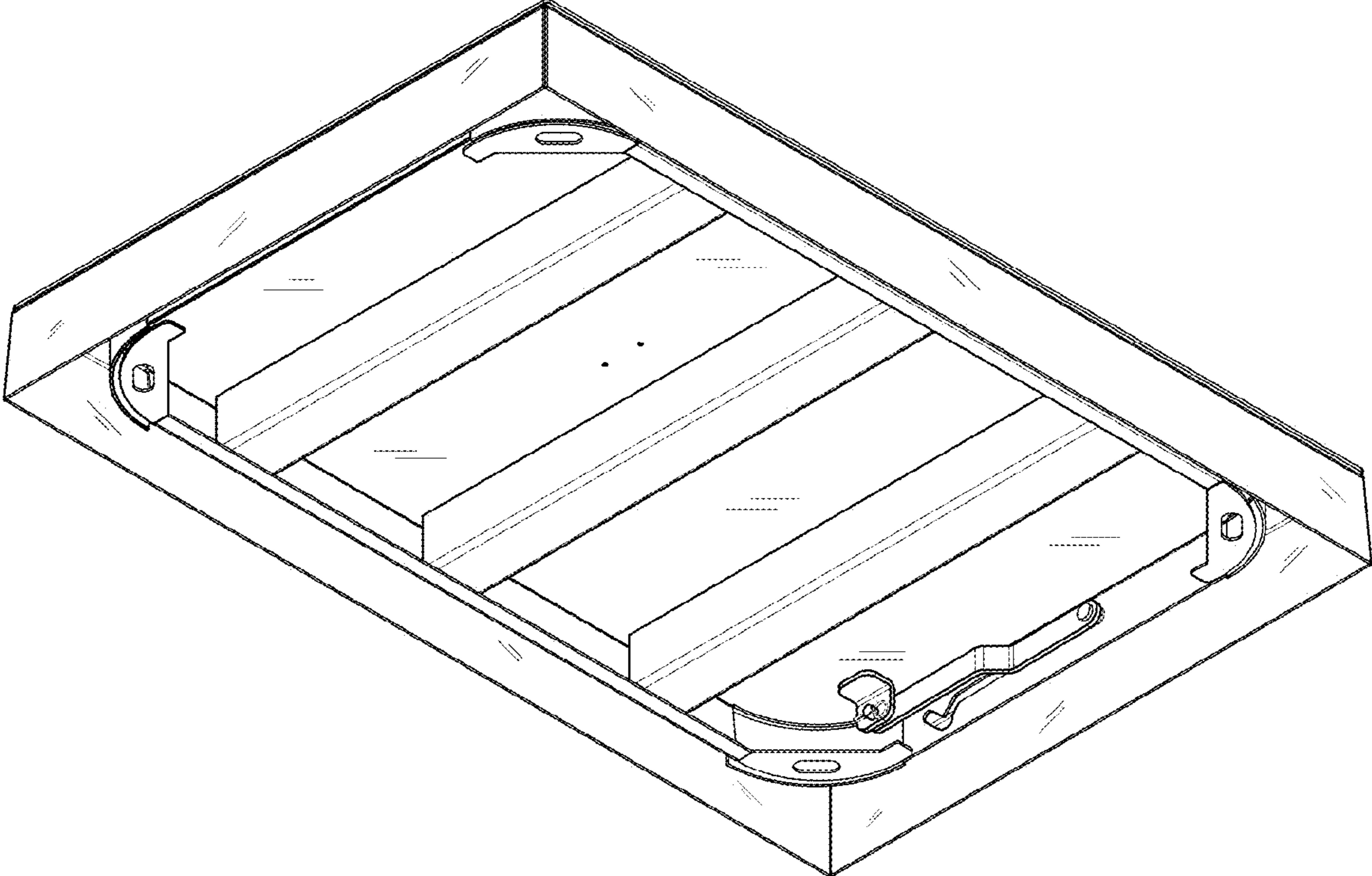


FIG. 8

FIG. 9

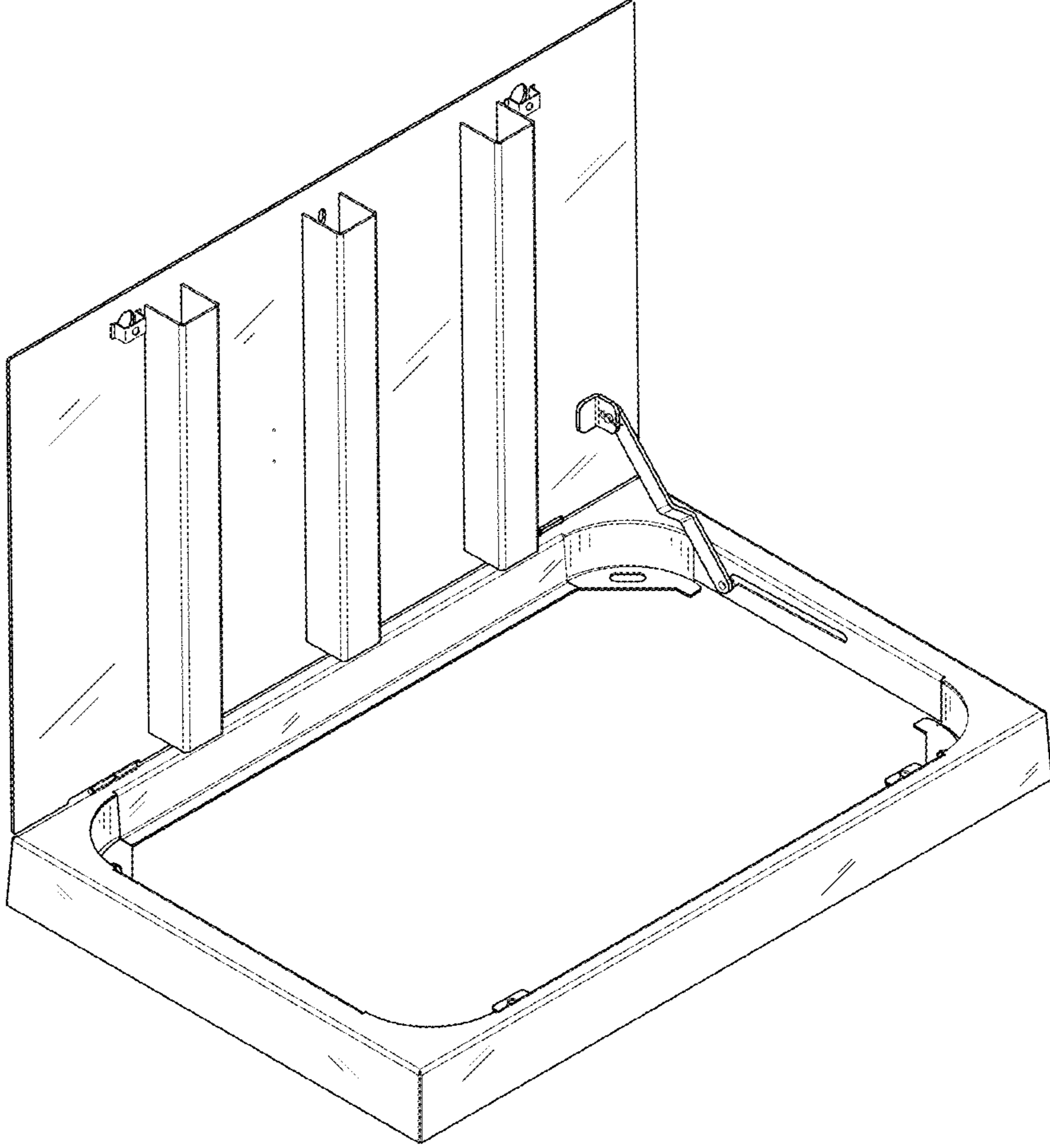


FIG. 10

