



US00D941026S

(12) **United States Design Patent**
Stevens

(10) **Patent No.:** **US D941,026 S**
(45) **Date of Patent:** **** Jan. 18, 2022**

- (54) **ORGANIZER TRAY**
- (71) Applicant: **DV International Inc.**, St. Paul, MN (US)
- (72) Inventor: **Hallie L. Stevens**, St. Paul, MN (US)
- (73) Assignee: **DV International Inc.**, St. Paul, MN (US)
- (**) Term: **15 Years**
- (21) Appl. No.: **29/683,363**
- (22) Filed: **Mar. 12, 2019**
- (51) **LOC (13) Cl.** **09-04**
- (52) **U.S. Cl.**
USPC **D3/313**
- (58) **Field of Classification Search**
USPC D3/208, 226, 304-315; D6/512, 525, D6/608, 672, 675; D2/976; D8/71; D32/37
CPC ... B65D 5/46072; B65D 81/3813; B65D 1/00
See application file for complete search history.

D830,060 S *	10/2018	Kraemer	D3/310
D832,115 S *	10/2018	Fitchett	D9/711
D876,836 S *	3/2020	Stevens	D3/313

OTHER PUBLICATIONS

Stacking Tray, Reviewed 2018 [online], [site visited May 20, 2020]. Available from internet, URL: <<https://www.madesmart.com/product-page/stacking-tray>> (Year: 2018).*

* cited by examiner

Primary Examiner — Kevin K Rudzinski
Assistant Examiner — Amber J Rabie
(74) *Attorney, Agent, or Firm* — Pauly, DeVries Smith & Deffner LLC

(57) **CLAIM**

The ornamental design for a organizer tray, as shown and described.

DESCRIPTION

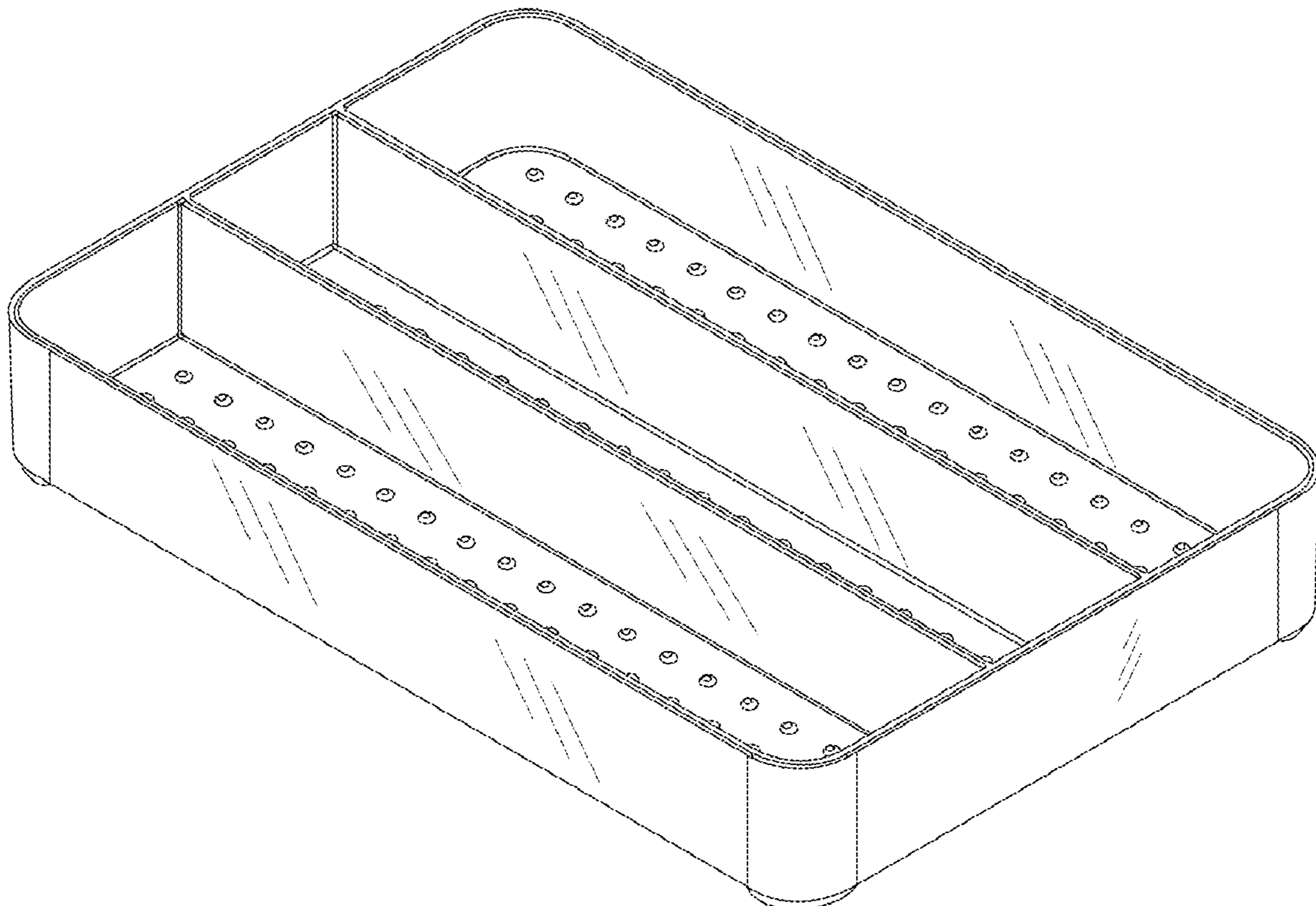
FIG. 1 is a perspective view of the organizer tray.
FIG. 2 is a front elevational view of the organizer tray.
FIG. 3 is a rear elevational view of the organizer tray.
FIG. 4 is a right side elevational view of the organizer tray.
FIG. 5 is a left side elevational view of the organizer tray.
FIG. 6 is a top plan view of the organizer tray; and,
FIG. 7 is a bottom plan view of the organizer tray.
The broken lines in the drawings illustrate portions of the organizer tray that form no part of the claim.

1 Claim, 4 Drawing Sheets

(56) **References Cited**

U.S. PATENT DOCUMENTS

D387,559 S *	12/1997	Williamson	D3/313
D527,229 S *	8/2006	Joy	D7/637
D707,501 S *	6/2014	Breuss	D7/641
D708,852 S *	7/2014	Ghiorgie	D3/310
D746,643 S *	1/2016	Kraemer	D7/637



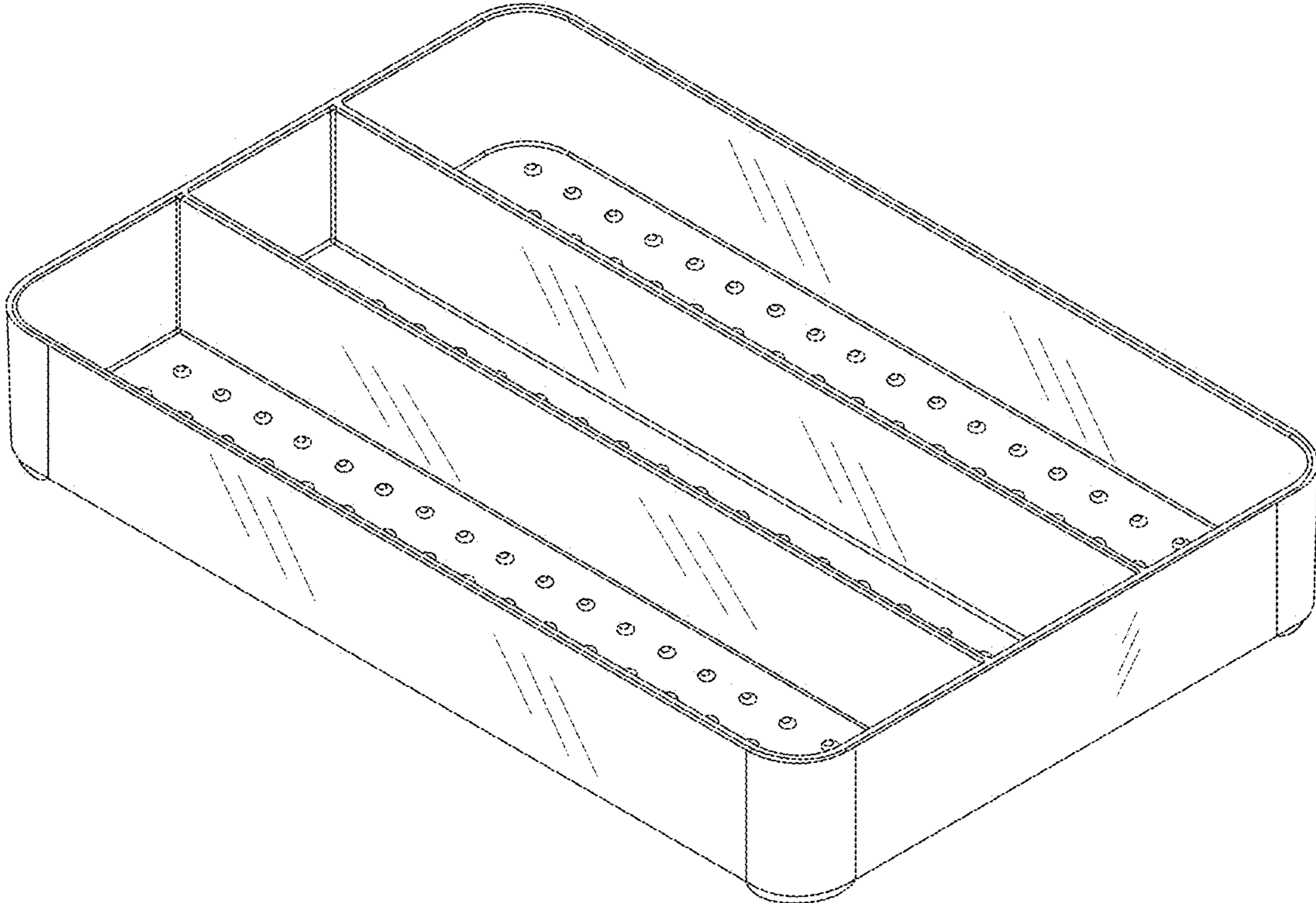


Fig. 1

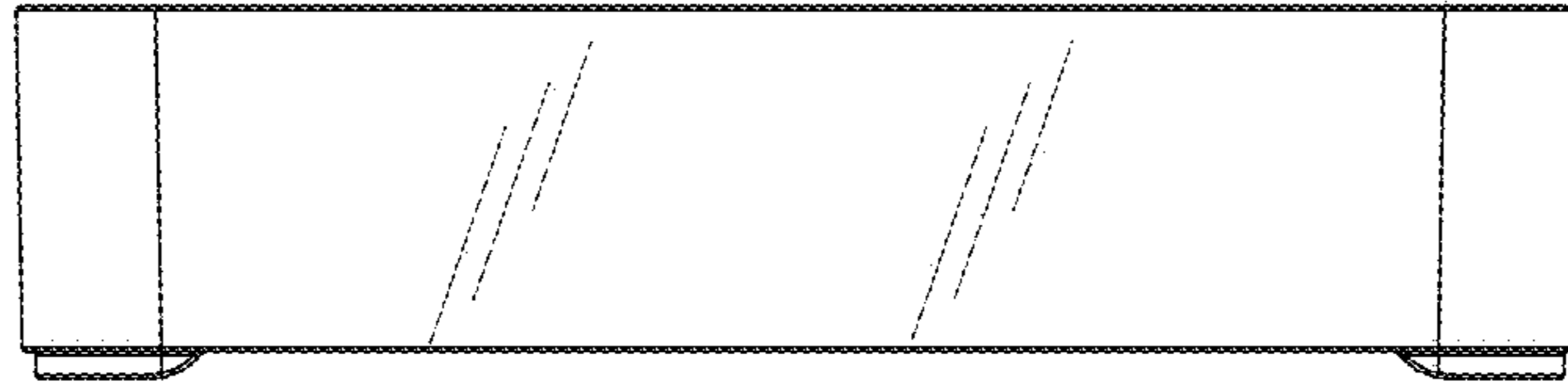


Fig. 2

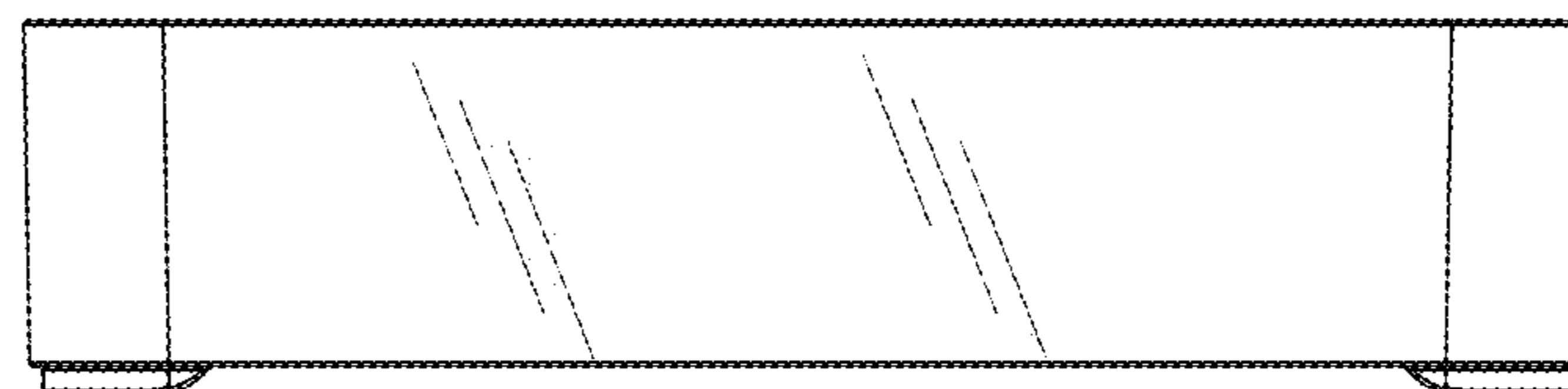


Fig. 3



Fig. 4

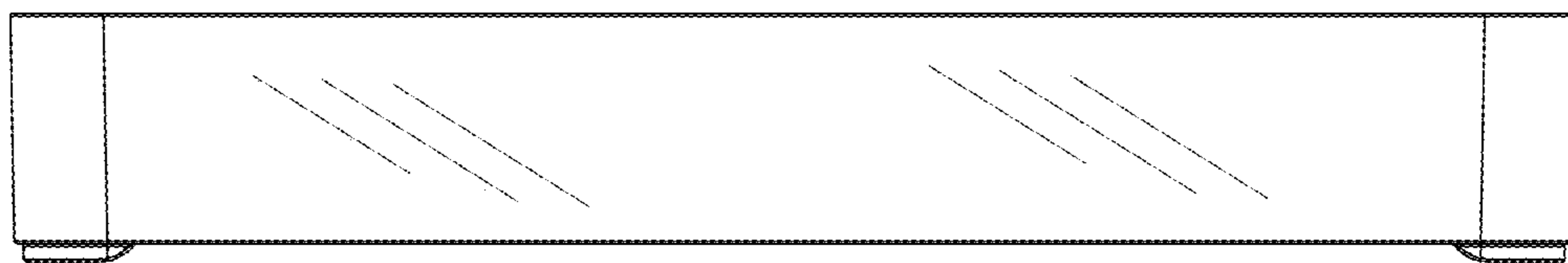


Fig. 5

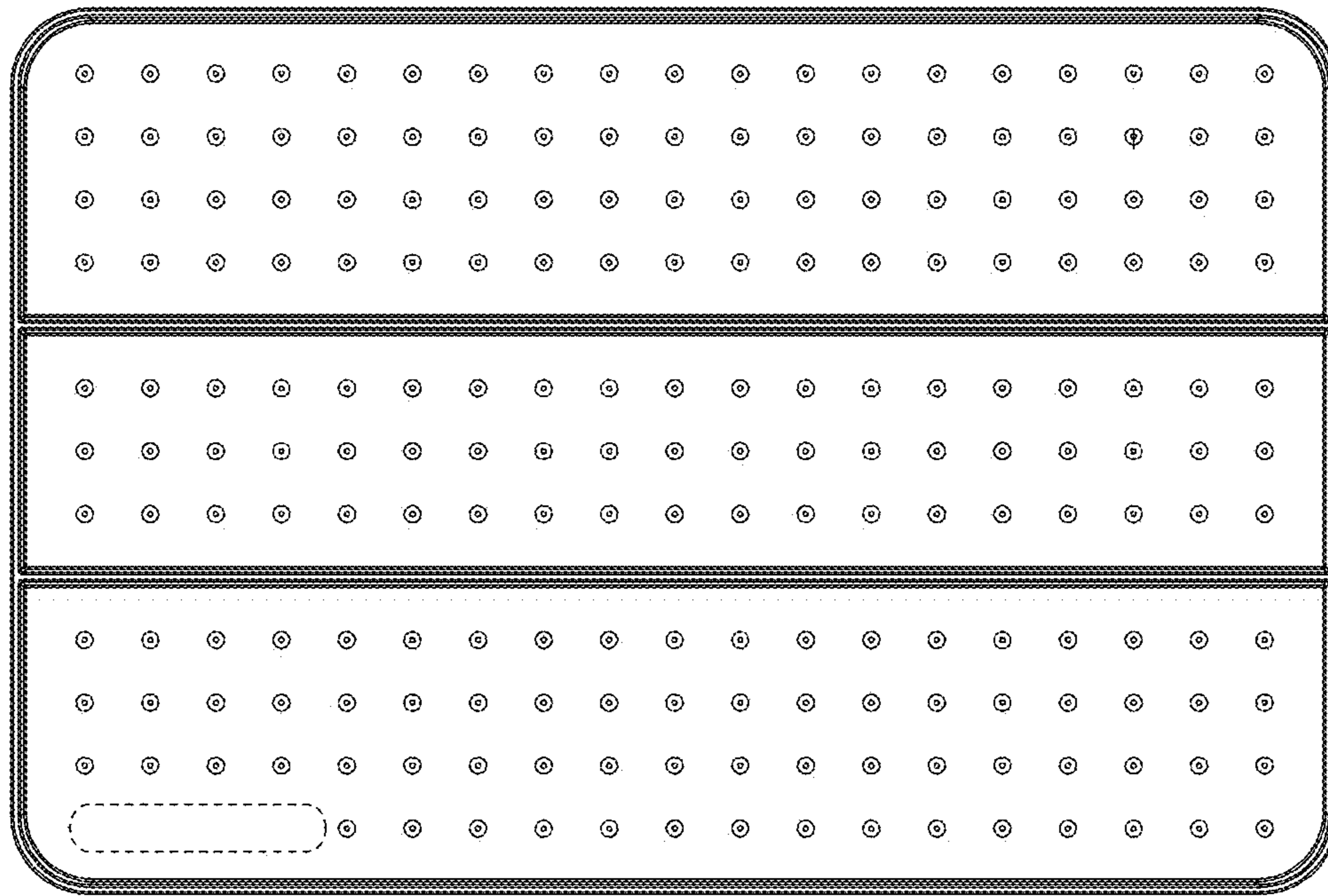


Fig. 6

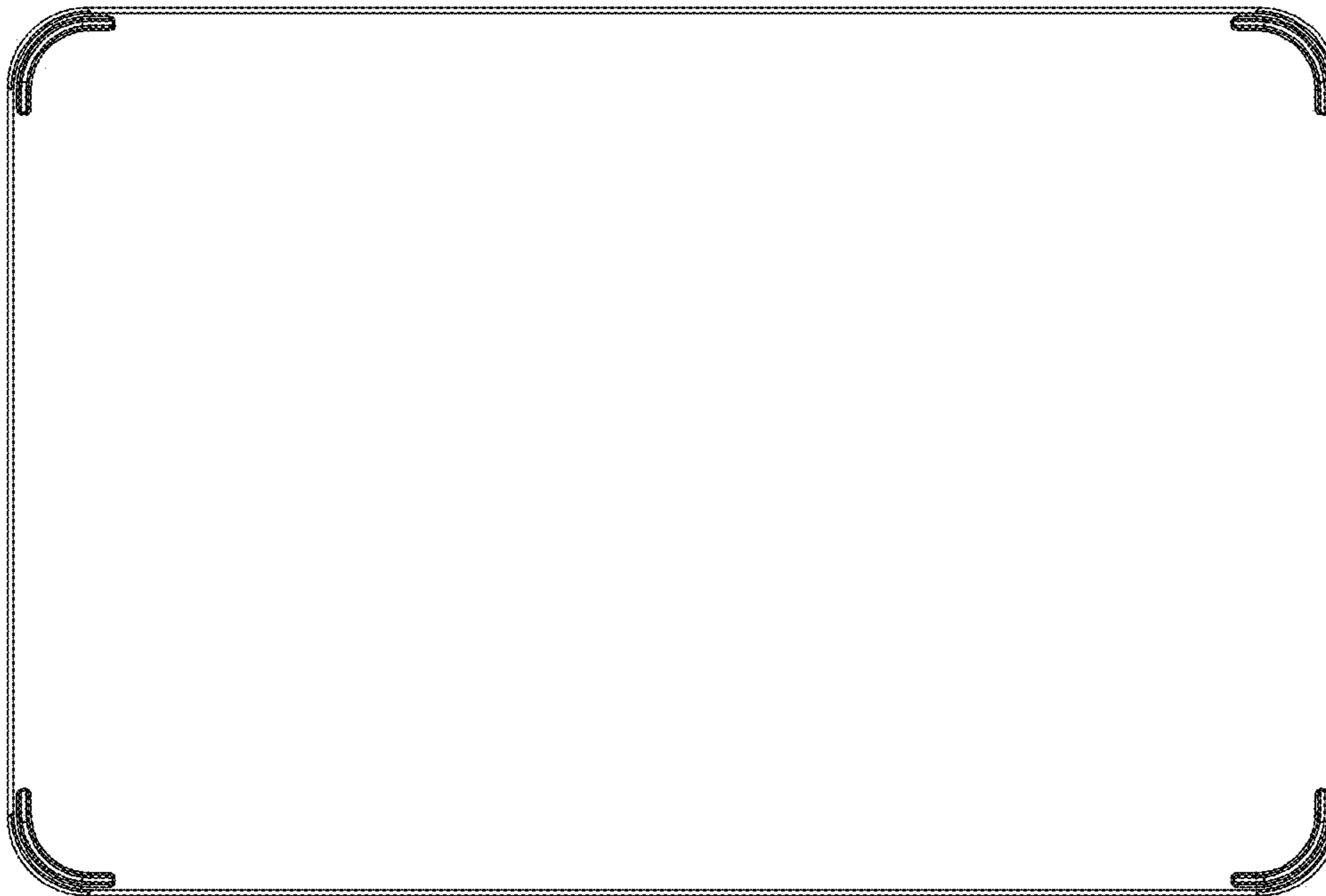


Fig. 7