

US00D941024S

(12) **United States Design Patent** (10) **Patent No.:** **US D941,024 S**
Grifferos Reyes (45) **Date of Patent:** **** Jan. 18, 2022**

(54) **TRANSPORT STORAGE BOX AND LID IN COMBINATION**

FOREIGN PATENT DOCUMENTS

(71) Applicant: **ENVASES CHILOE S.A.**, Puerto Varas (CL)

CN 306344617 * 2/2021
RU 00090257 * 10/2014

(72) Inventor: **Pablo Ignacio Grifferos Reyes**, Santiago (CL)

Primary Examiner — Lilyana Bekic
Assistant Examiner — Mary Shannon Malley
(74) *Attorney, Agent, or Firm* — Ulmer & Berne LLP

(73) Assignee: **Envases Chiloe S.A.**, Puerto Varas (CL)

(57) **CLAIM**

(**) Term: **15 Years**

The ornamental design for a transport storage box and lid in combination, as shown and described.

(21) Appl. No.: **29/676,938**

DESCRIPTION

(22) Filed: **Jan. 16, 2019**

(30) **Foreign Application Priority Data**

Jul. 19, 2018 (CL) 01959-2018

(51) **LOC (13) Cl.** **03-01**

(52) **U.S. Cl.**
USPC **D3/302**

(58) **Field of Classification Search**
USPC D3/201, 203.1, 203.2, 203.3, 203.4, 262, D3/272-274, 294, 295, 298, 302, 901, D3/903, 905; D6/602, 605, 629
CPC B65D 21/00; B65D 21/0204; B65D 21/0233; A47J 47/02; A47J 47/10
See application file for complete search history.

FIG. 1 is a top perspective view of the box portion of the transport storage box and lid in combination, shown without the lid for ease of illustration;
FIG. 2 is an upper plan view of the box portion of the transport storage box and lid in combination of FIG. 1;
FIG. 3 is a bottom plan view of the portion of the transport storage box and lid in combination of FIG. 1;
FIG. 4 is a front view of the box portion of the transport storage box and lid in combination of FIG. 1;
FIG. 5 is a side view of the box portion of the transport storage box and lid in combination of FIG. 1;
FIG. 6 is a bottom perspective view of the lid portion of the transport storage box and lid in combination, shown without the box for ease of illustration;
FIG. 7 is an upper plan view of the lid portion of the transport storage box and lid in combination of FIG. 6;
FIG. 8 is a bottom plan view of the lid portion of the transport storage box and lid in combination of FIG. 6;
FIG. 9 is a side view of the of the lid portion of the transport storage box and lid in combination of FIG. 6;
FIG. 10 is a top perspective view of the transport storage box and lid in combination, including the box portion of FIG. 1 and the lid portion of FIG. 6; and,
FIG. 11 is a bottom perspective view of the transport storage box and lid in combination of FIG. 10.

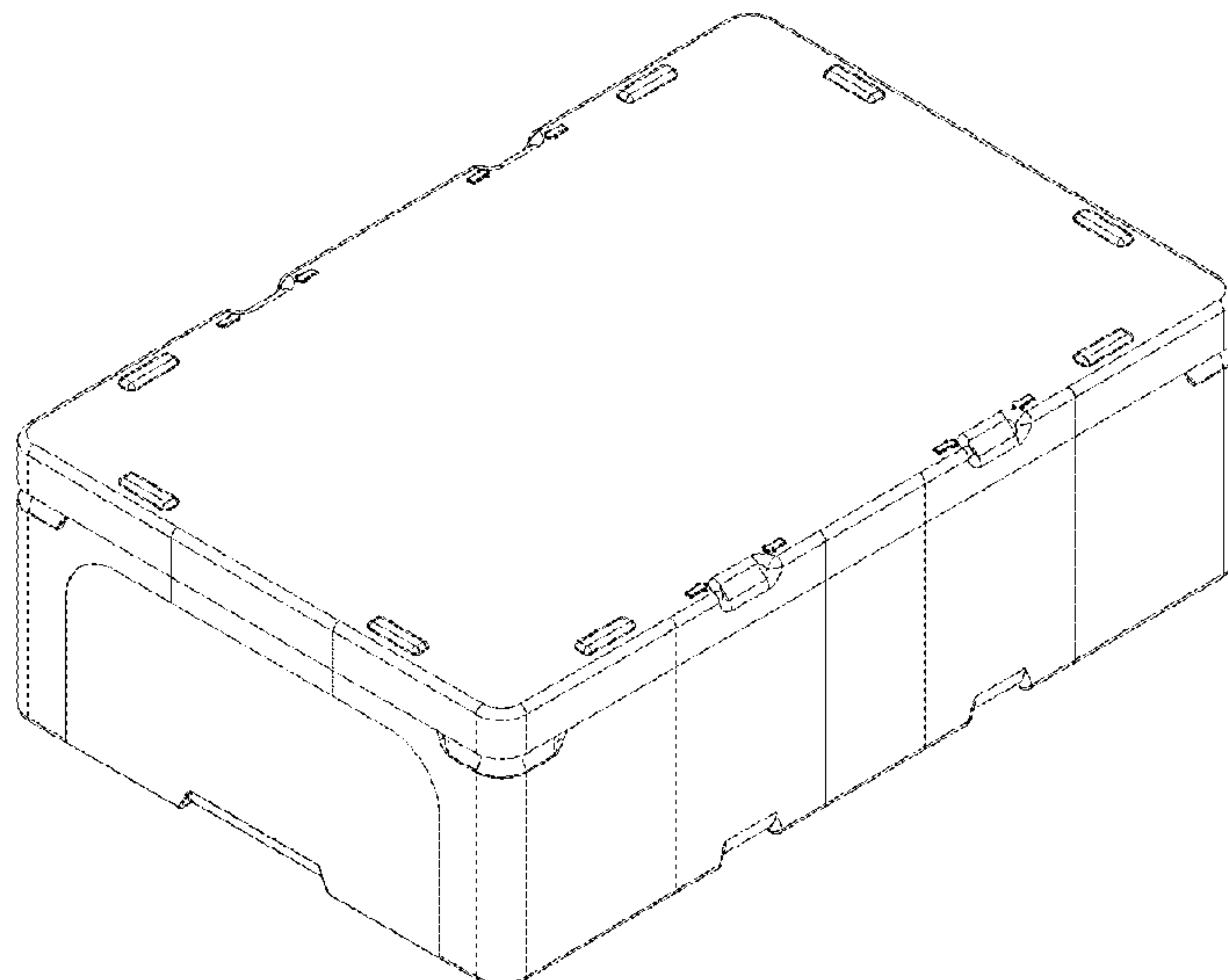
(56) **References Cited**

U.S. PATENT DOCUMENTS

D382,403 S * 8/1997 Koskinen D3/307
D597,383 S * 8/2009 Masterton D3/272
D643,629 S * 8/2011 Sofy D3/302
D744,240 S * 12/2015 Reinhart D3/318
D748,916 S * 2/2016 Nilsson D3/302
D821,749 S * 7/2018 Nilsson D3/302
D846,875 S * 4/2019 Nelson D3/282

(Continued)

1 Claim, 11 Drawing Sheets



(56)

References Cited

U.S. PATENT DOCUMENTS

D895,282 S * 9/2020 Plattner D3/272
D901,254 S * 11/2020 Beavis D7/605
D925,219 S * 7/2021 Eskridge D3/282
2015/0001120 A1* 1/2015 Gaskell B65D 21/0204
206/504
2019/0023464 A1* 1/2019 Ogilvie A47J 47/10
2021/0031964 A1* 2/2021 Reinhart B65D 1/44
2021/0253292 A1* 8/2021 Grifferos Reyes B65D 43/00

* cited by examiner

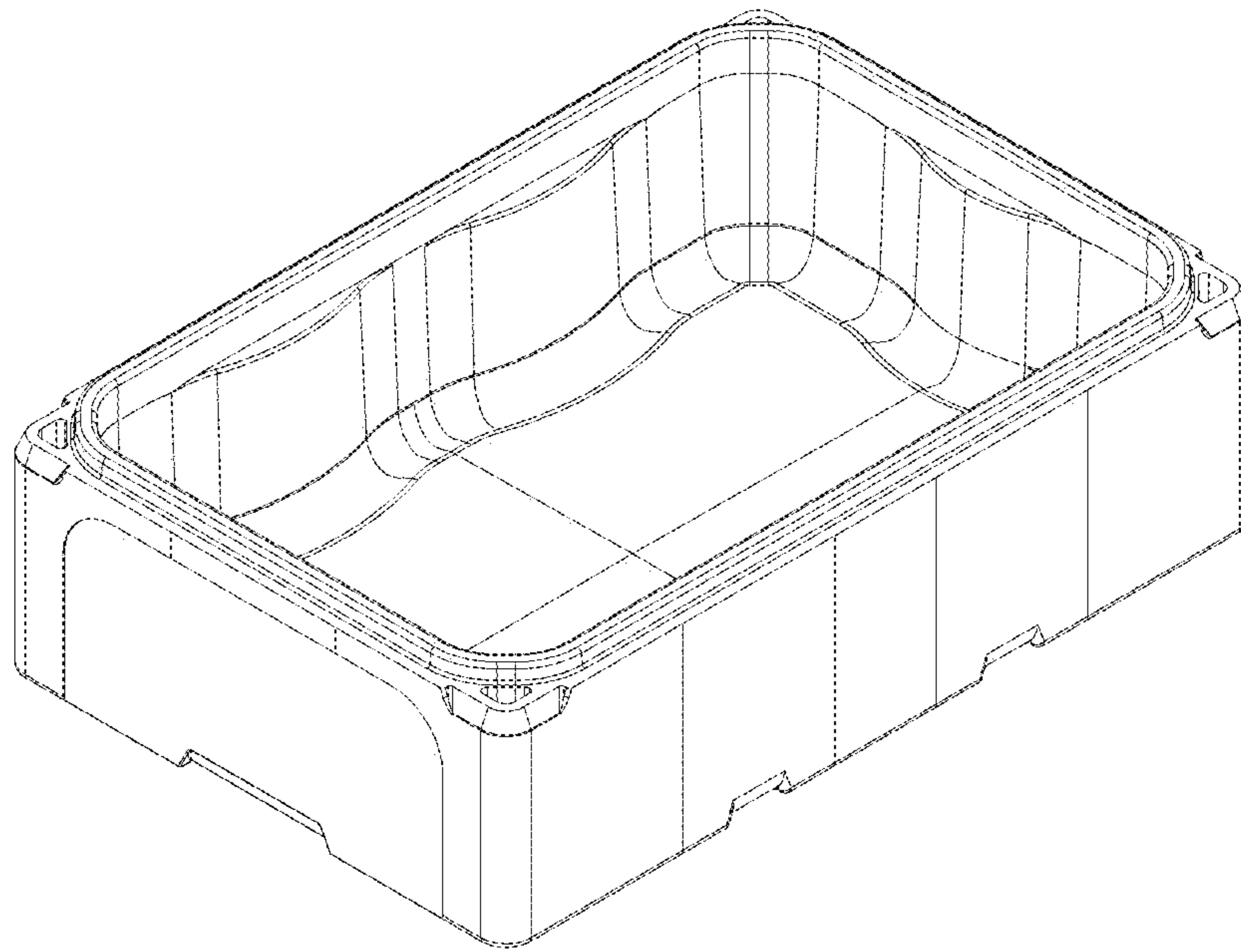


Fig. 1

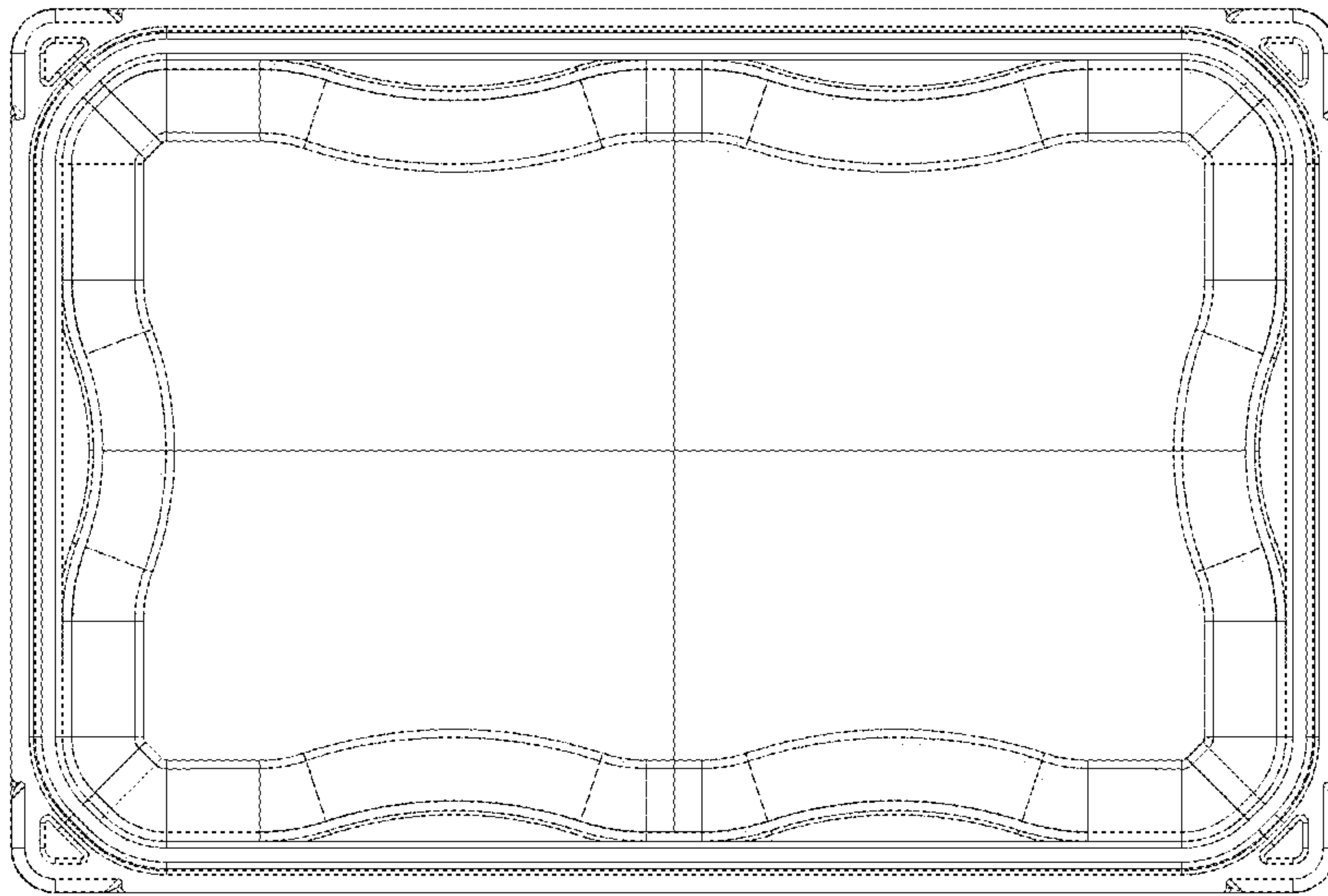


Fig. 2

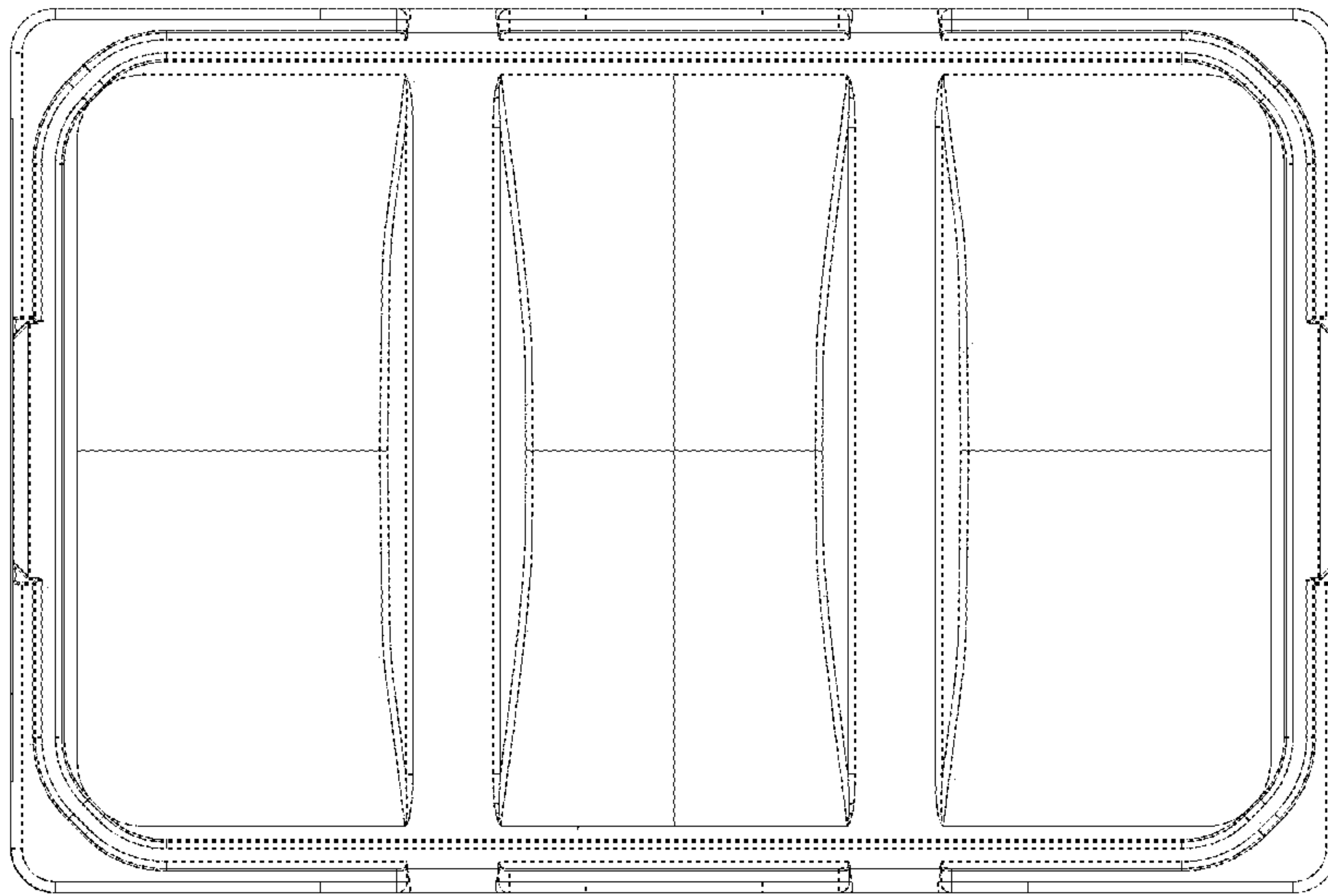


Fig. 3

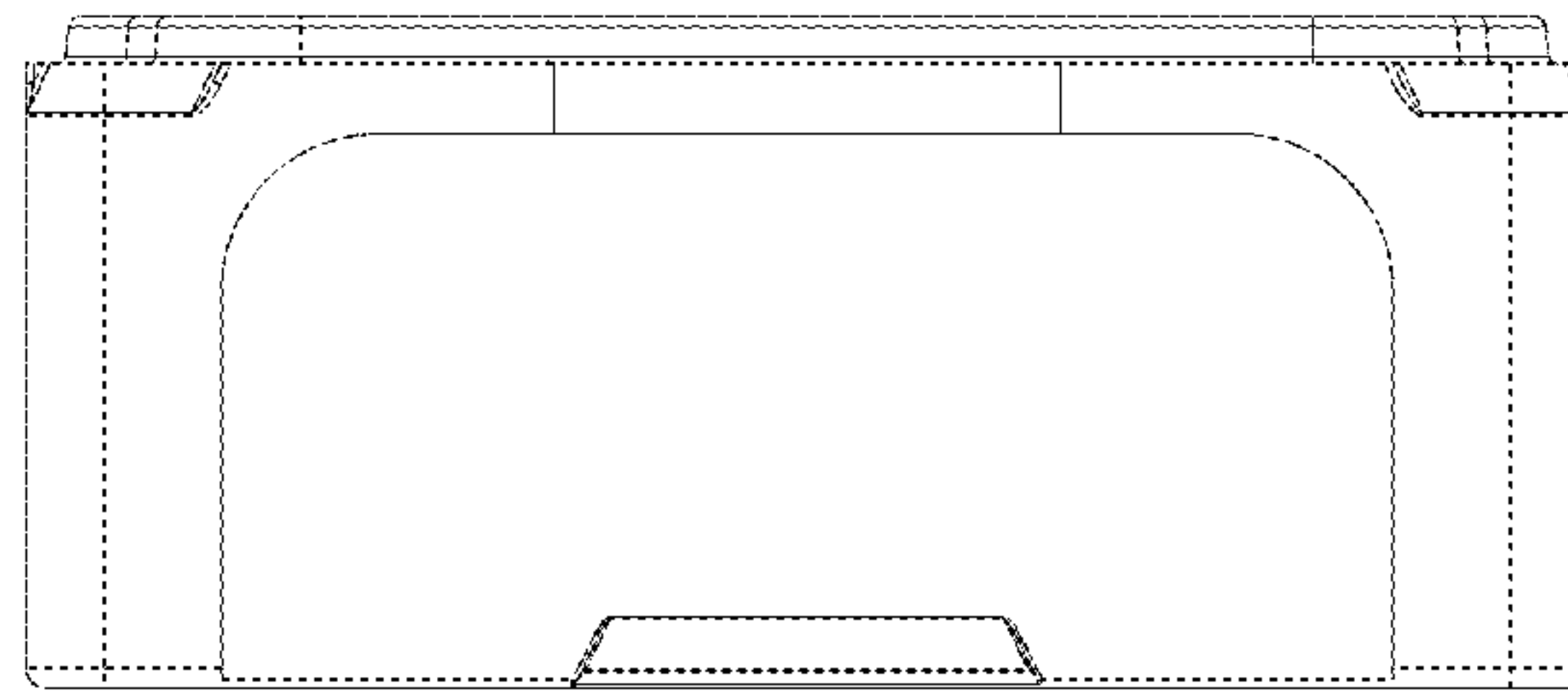


Fig. 4

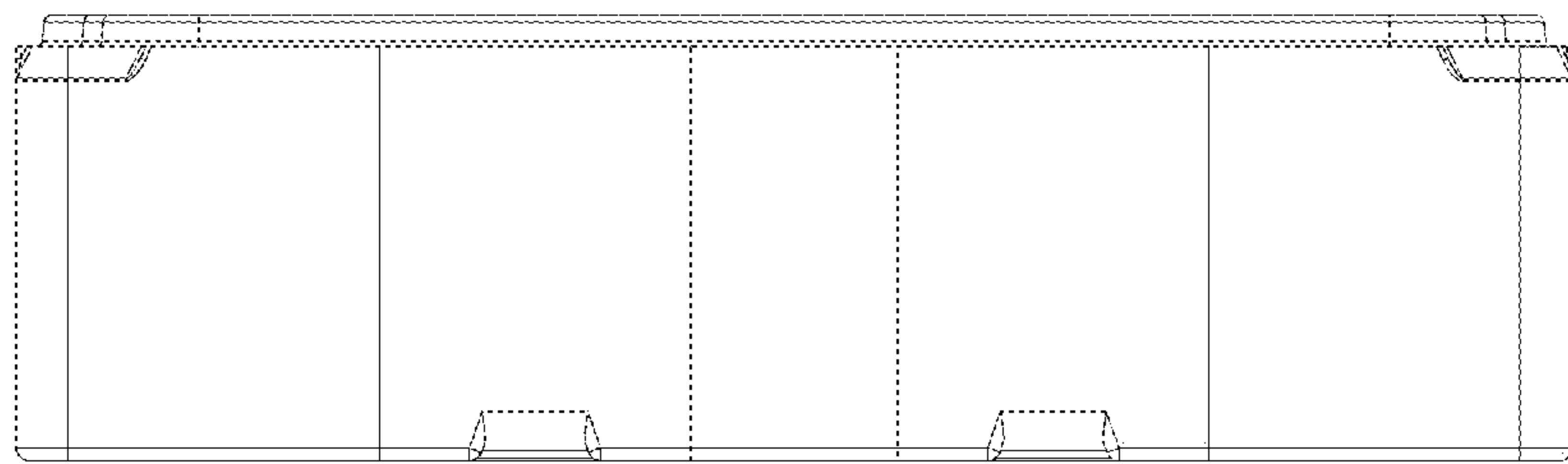


Fig. 5

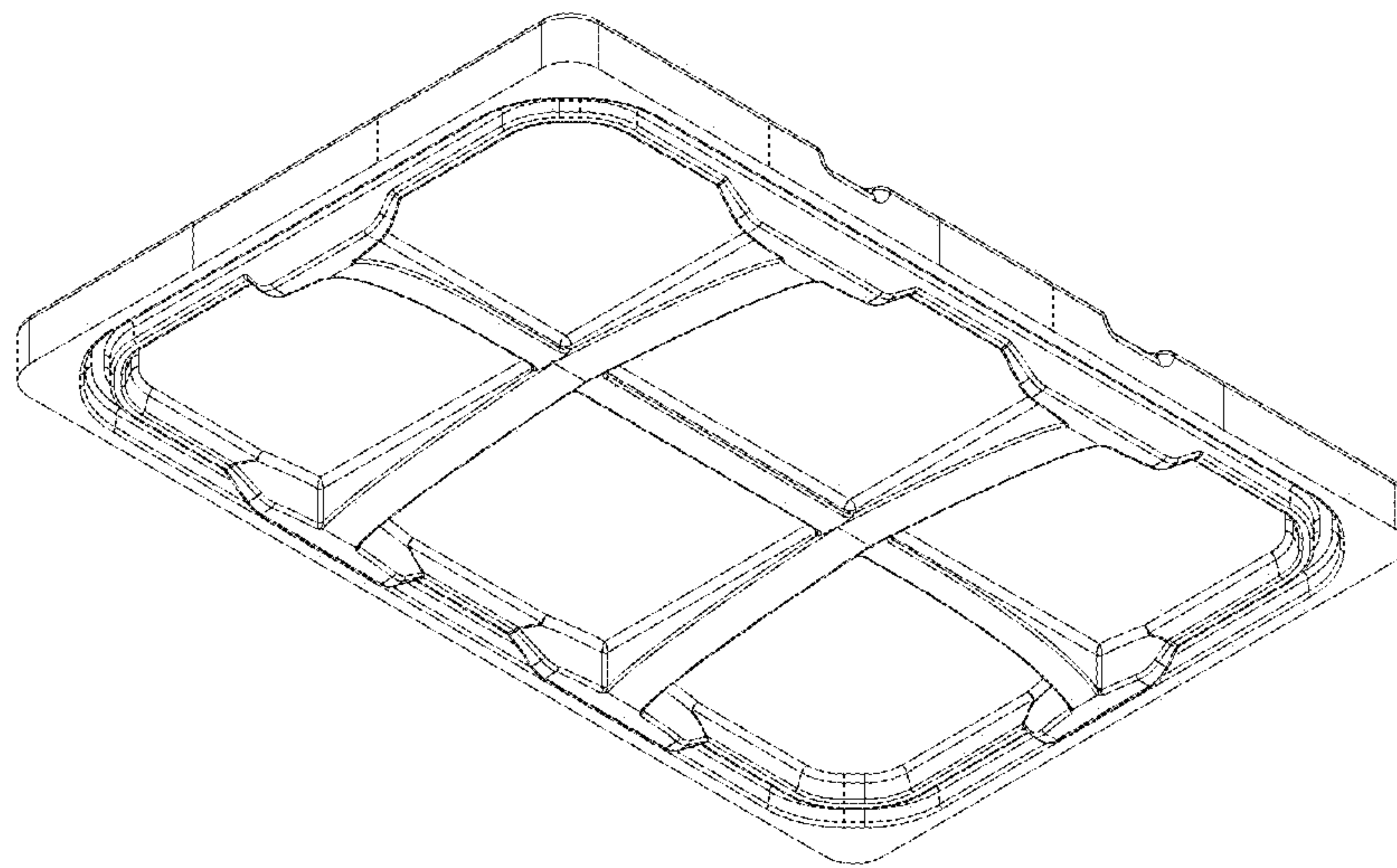


Fig. 6

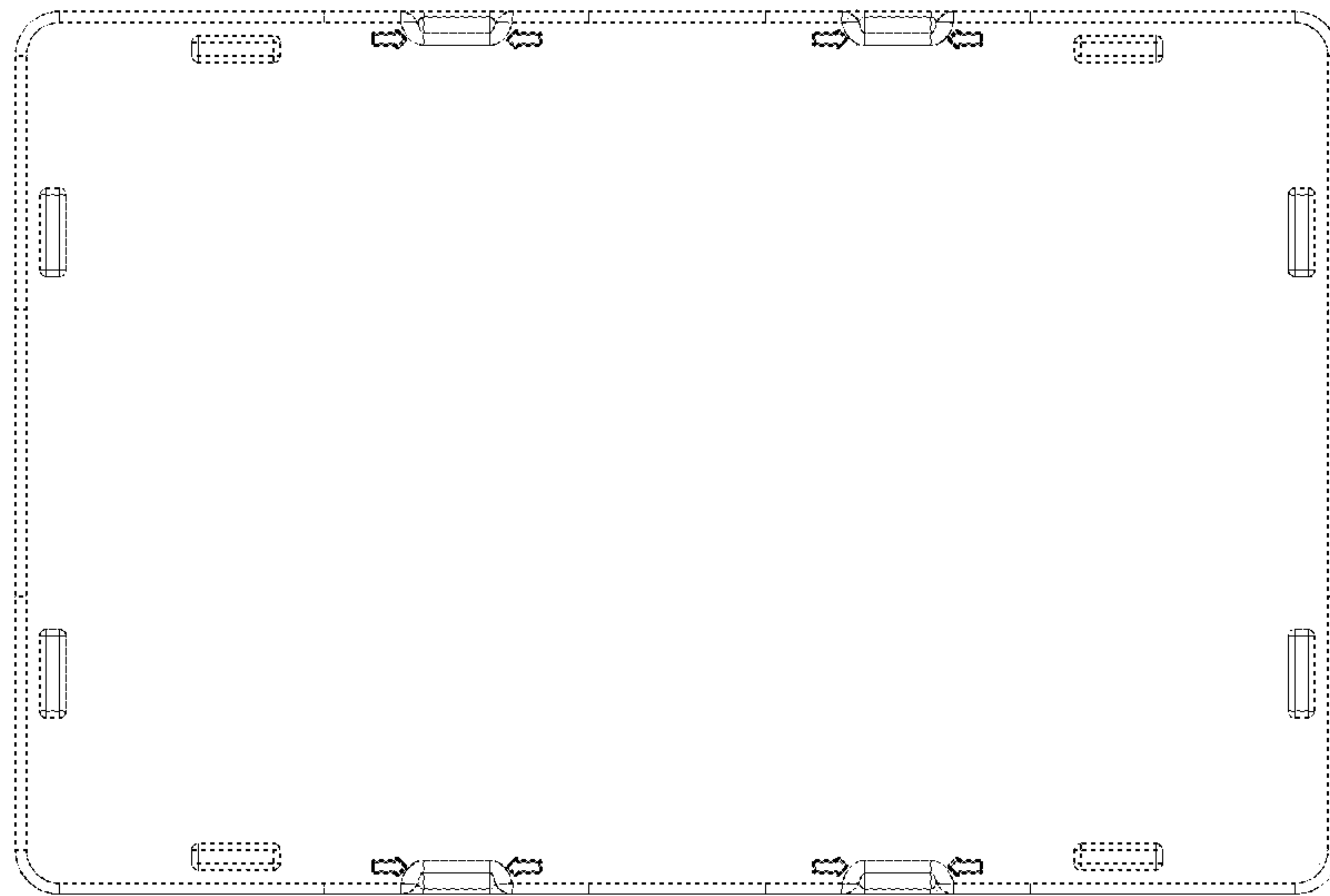


Fig. 7

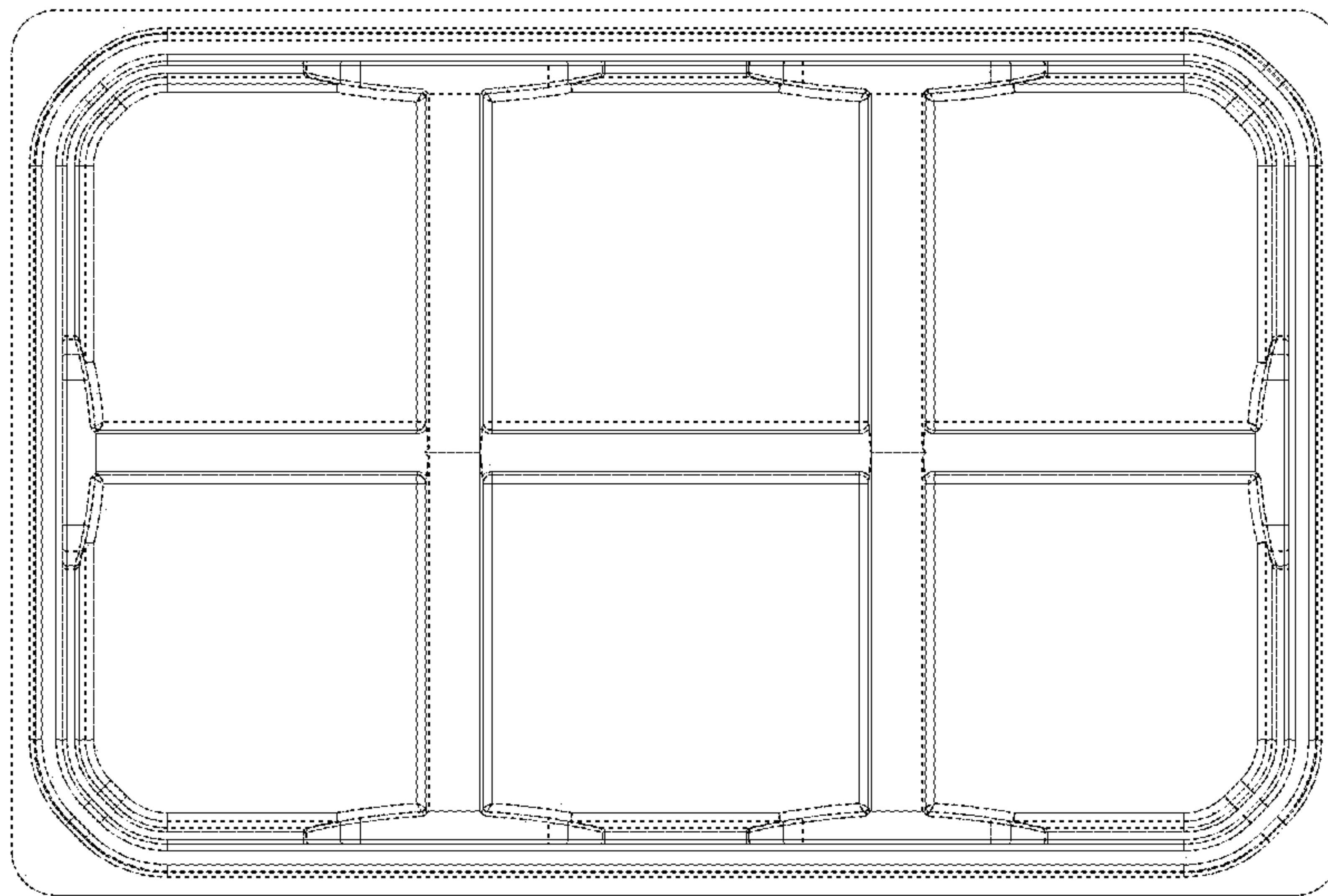


Fig. 8

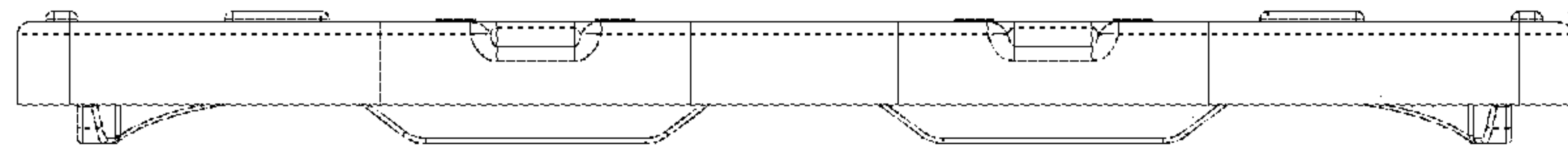


Fig. 9

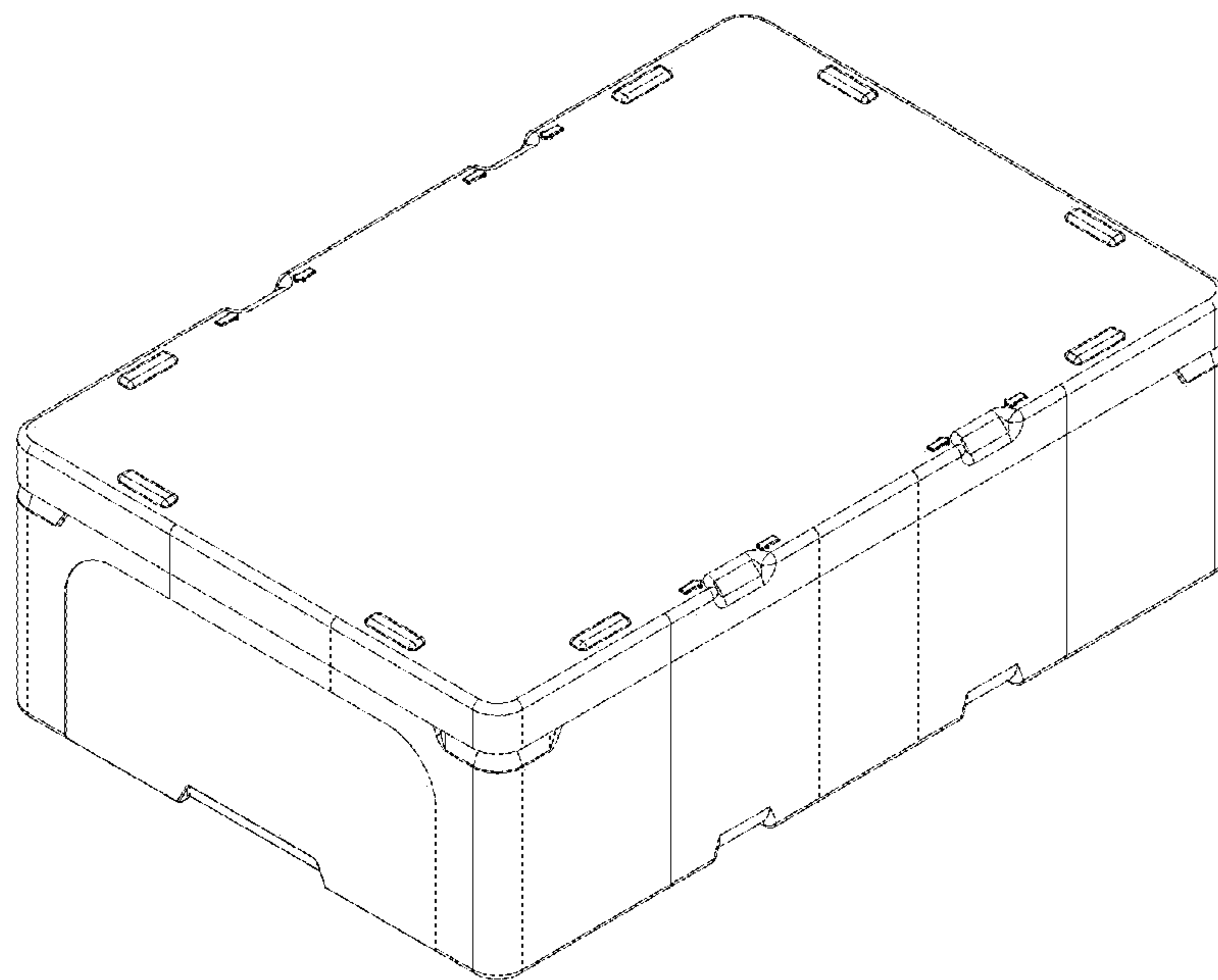


Fig. 10

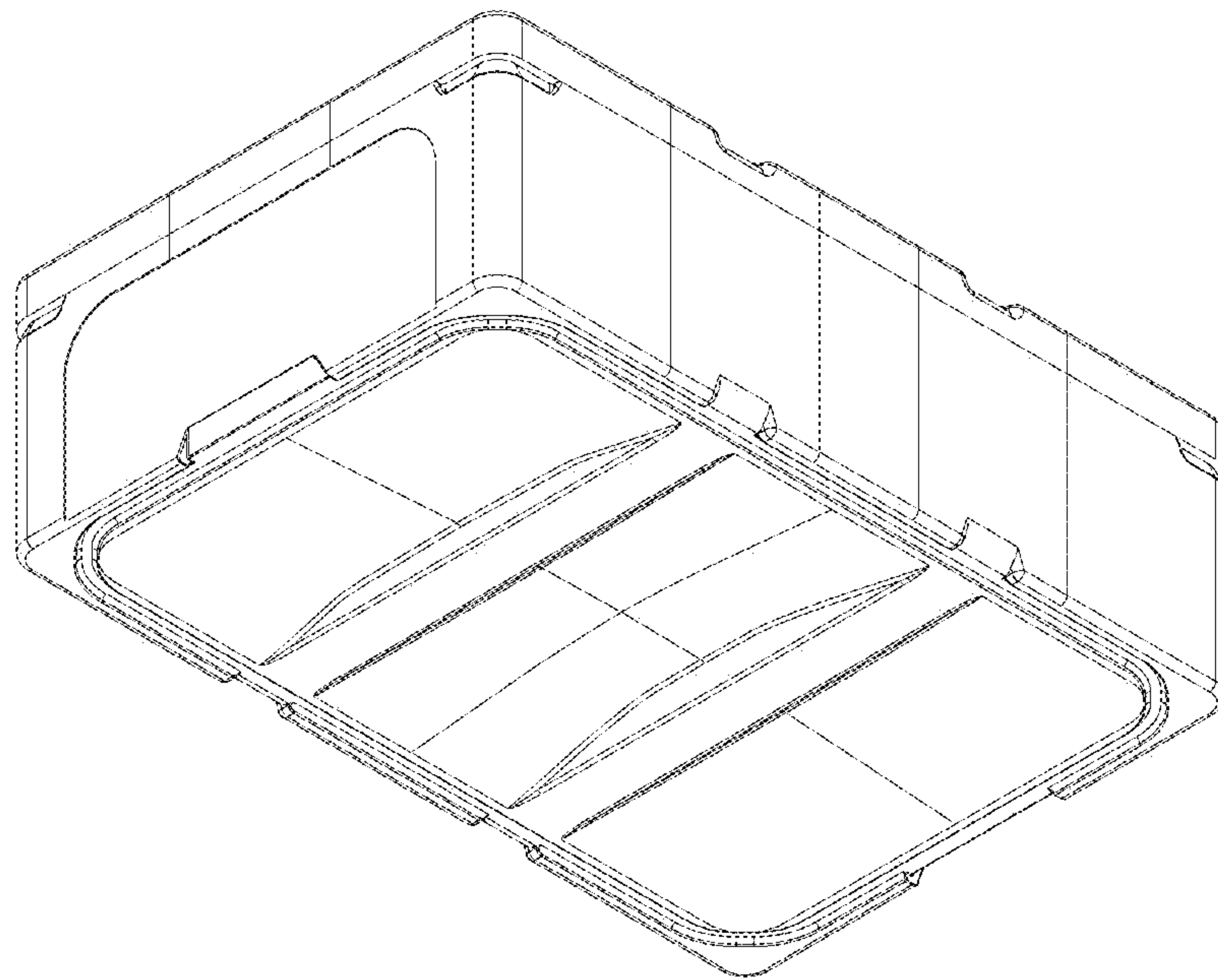


Fig. 11