



US00D941023S

(12) **United States Design Patent** (10) **Patent No.:** **US D941,023 S**
Lee et al. (45) **Date of Patent:** **** Jan. 18, 2022**

(54) **SLEEVE**
(71) Applicant: **Doria International, Inc**, Los Angeles, CA (US)
(72) Inventors: **Edmund Lee**, Encino, CA (US); **Allen Liu**, Rancho Cucamonga, CA (US); **Felix Tsoi**, Rowland Heights, CA (US)
(73) Assignee: **Doria International Inc**, Los Angeles, CA (US)
(**) Term: **15 Years**

D892,497 S 8/2020 Wright et al.
D892,498 S 8/2020 Wright et al.
D892,499 S * 8/2020 Wright D3/303
D893,166 S 8/2020 Lu
D897,997 S 10/2020 Zhang
D901,177 S 11/2020 Wei
D902,854 S * 11/2020 Feng D13/108
D904,005 S 12/2020 Jung
D904,755 S 12/2020 Birger
D904,765 S 12/2020 Hyun
D905,430 S 12/2020 Kwak et al.
10,863,807 B1 * 12/2020 Wright A45C 11/00
D907,049 S 1/2021 Yu
D911,706 S * 3/2021 Hyun D3/273
(Continued)

(21) Appl. No.: **29/723,237**
(22) Filed: **Feb. 5, 2020**
(51) **LOC (13) Cl.** **03-01**
(52) **U.S. Cl.**
USPC **D3/300**; D3/218; D3/215; D13/108
(58) **Field of Classification Search**
USPC D3/242, 232, 243, 246, 289, 290, 215,
D3/218, 226, 230, 300; D13/108;
D14/440, 223
CPC A45C 2011/001; A45C 13/002
See application file for complete search history.

OTHER PUBLICATIONS

Best Buy, "Raptic—Journey Protective Case for Apple AirPods Pro—Red", First reviewed Mar. 1, 2020. (<https://www.bestbuy.com/site/raptic-journey-protective-case-for-apple-airpods-pro-red/6399727.p?skuId=6399727>) (Year: 2020).*
(Continued)

Primary Examiner — April Rivas
(74) *Attorney, Agent, or Firm* — Sheppard, Mullin, Richter & Hampton LLP

(56) **References Cited**

U.S. PATENT DOCUMENTS

D664,352 S * 7/2012 Shamon D3/226
D815,082 S 4/2018 Kim
D869,161 S * 12/2019 Zhong D3/294
D872,094 S * 1/2020 Wright D14/440
D872,723 S 1/2020 Lee et al.
D872,724 S 1/2020 Lee et al.
D881,181 S * 4/2020 Wright D14/250
D881,867 S * 4/2020 Lee D14/250
D882,259 S 4/2020 Liu
D886,453 S 6/2020 Wright et al.
D888,037 S * 6/2020 Wright D14/250
D888,043 S * 6/2020 Wright D14/250
D891,434 S * 7/2020 Lee D14/440

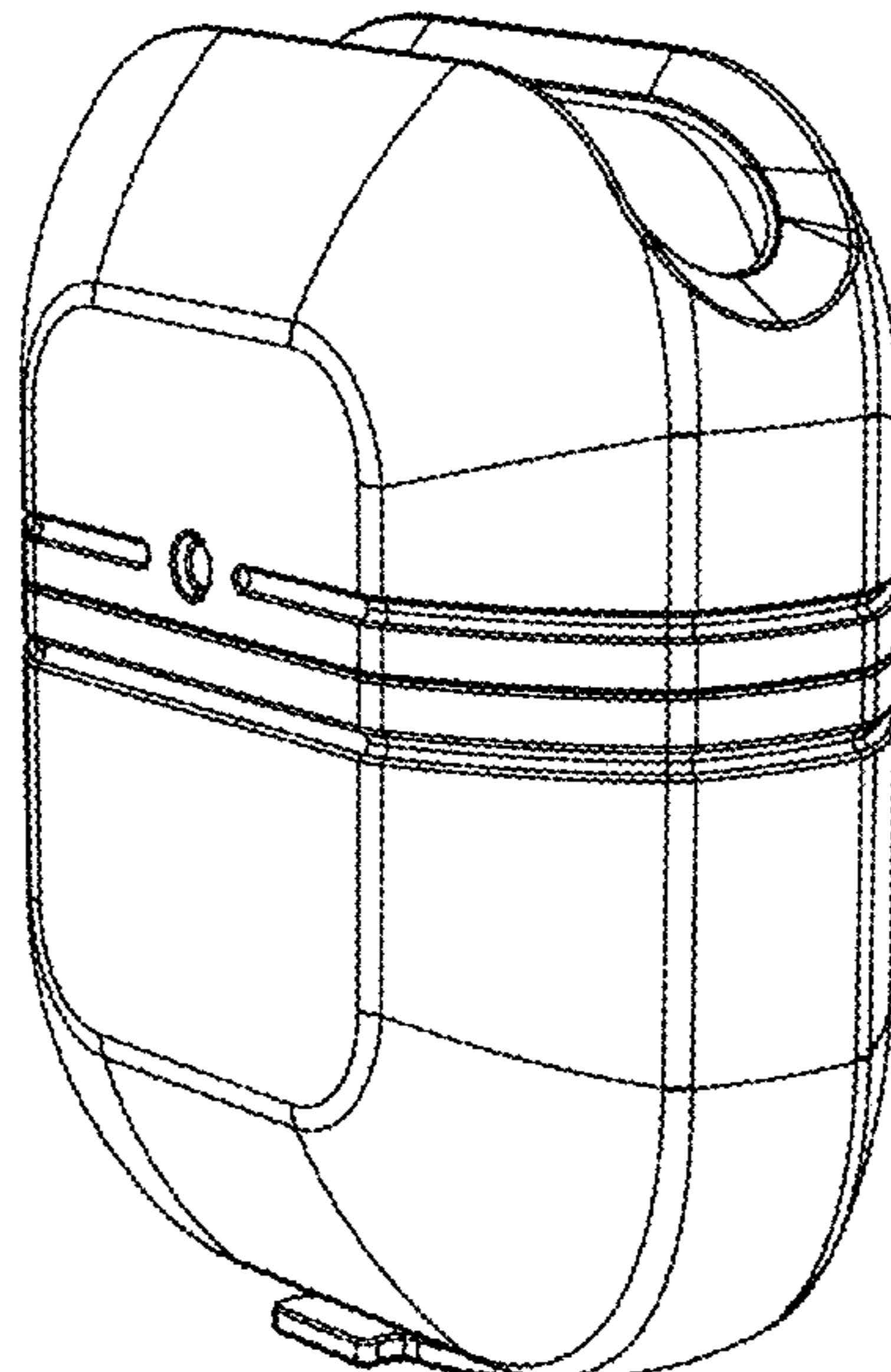
(57) **CLAIM**

We claim the ornamental design for a sleeve, substantially as shown and described.

DESCRIPTION

FIG. 1 is a front perspective view of a sleeve;
FIG. 2 is a front view thereof;
FIG. 3 is a back view thereof;
FIG. 4 is a left view thereof;
FIG. 5 is a right view thereof;
FIG. 6 is a top view thereof; and,
FIG. 7 is a bottom view thereof.

1 Claim, 7 Drawing Sheets



(56)

References Cited

U.S. PATENT DOCUMENTS

D912,390	S	3/2021	Hyun	
D914,603	S *	3/2021	Wang	D13/118
D914,604	S	3/2021	Wang	
D920,662	S	6/2021	Youn	
2007/0051766	A1	3/2007	Spencer	
2007/0235493	A1	10/2007	Fortson	
2007/0256946	A1	11/2007	Godshaw et al.	
2017/0251793	A1	9/2017	Barratt	
2020/0100573	A1 *	4/2020	Ekelund	A45C 13/02
2021/0085047	A1 *	3/2021	Wright	A45C 13/02

OTHER PUBLICATIONS

Best Buy, “Raptic—Journey Protective Case for Apple AirPods—Black”, First reviewed Apr. 4, 2020. (<https://www.bestbuy.com/site/>

raptic-journey-protective-case-for-apple-airpods-black/6399724.p?skuld=6399724) (Year: 2020).*

Amazon, “Case-Mate Pelican—AirPods Pro—Protector Series Case . . . ”, First on sale May 28, 2020. (<https://www.amazon.com/Case-Mate-Pelican-Protector-Waterproof-Protection/dp/B089B5ZW6L>) (Year: 2020).*

U.S. Trademark Registration No. 6,182,671, registered Oct. 27, 2020, owned by Catalyst Lifestyle Limited (Hong Kong Corporation), 2 pages.

Raptic Trek, Apple AirPods 1 & 2 Case, announced Jan. 30, 2019 [online], [Site visited Mar. 22, 2021], available from internet <URL: <https://www.amazon.com/Defense-Machined-Aluminum-Polycarbonate-Protective/dp/B07RDZSKZ5>> (Year: 2019), 1 page.

Raptic Trek Series, Apple AirPods Pro Case, announced Jan. 28, 2020 [online], [Site visited Mar. 22, 2021], available from internet <URL: <https://www.amazon.com/Defense-Machined-Aluminum-Polycarbonate-Protective/dp/B082MT91YX?th=1>> (Year: 2020), 1 page.

* cited by examiner

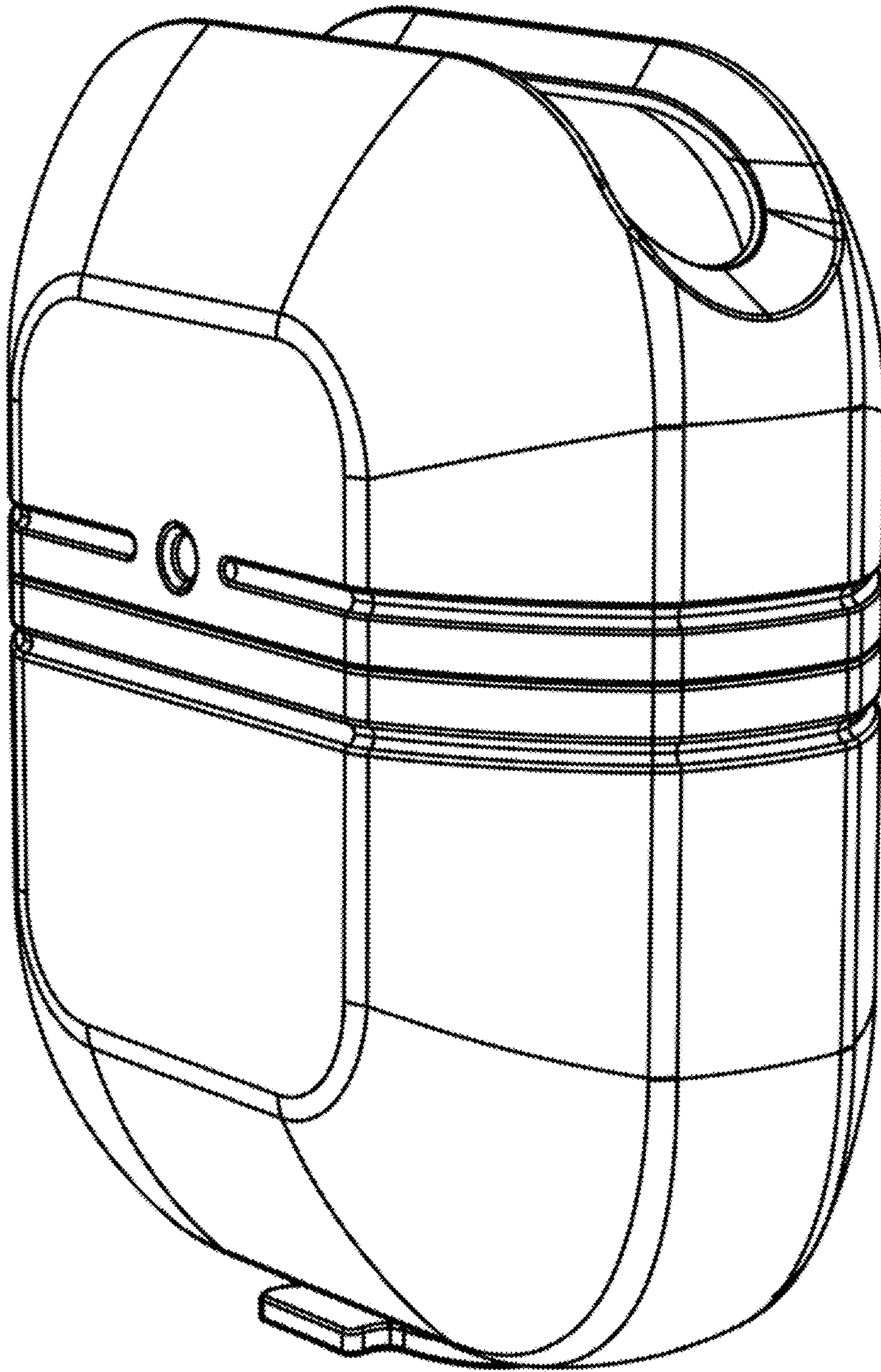


FIG. 1

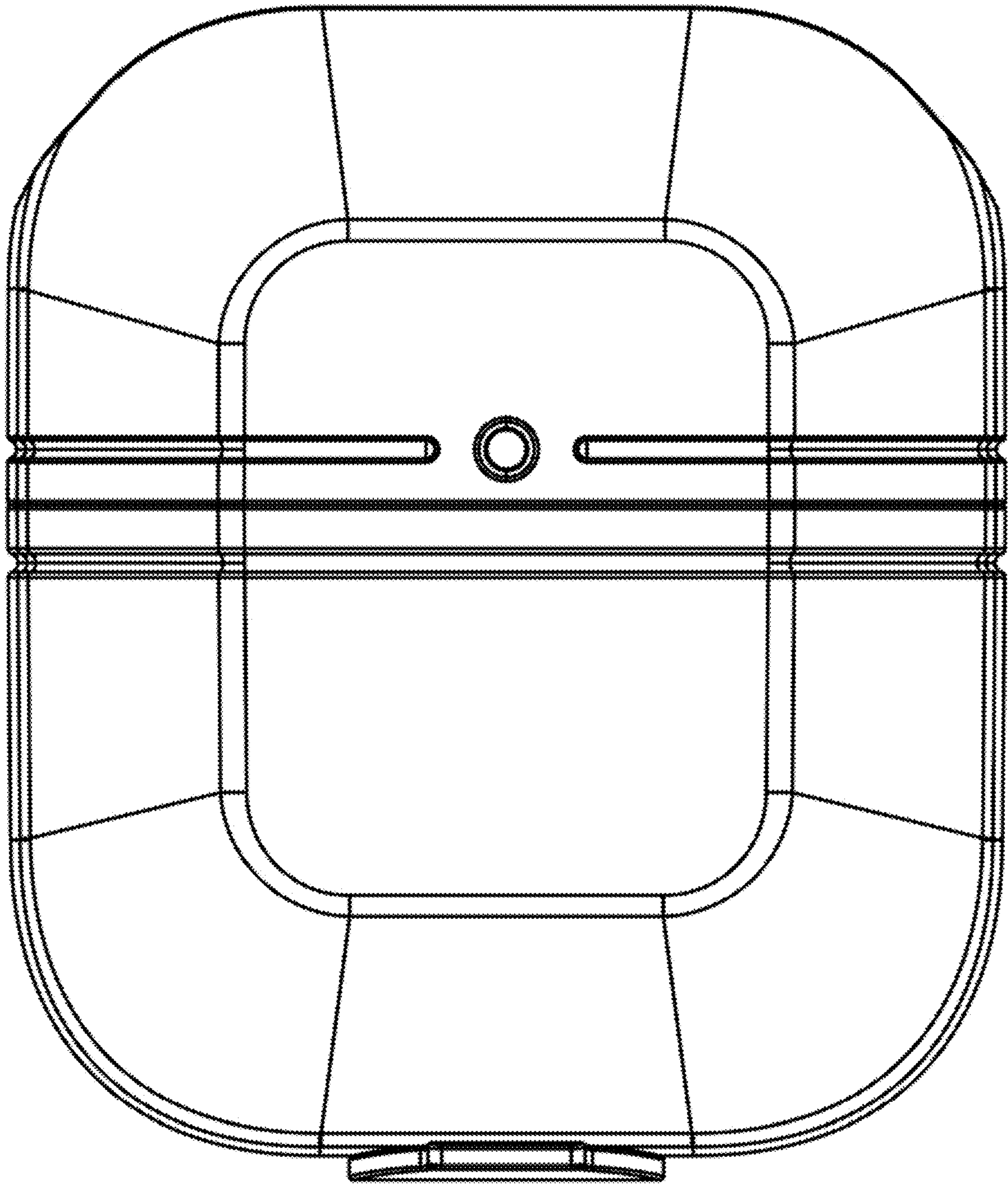


FIG. 2

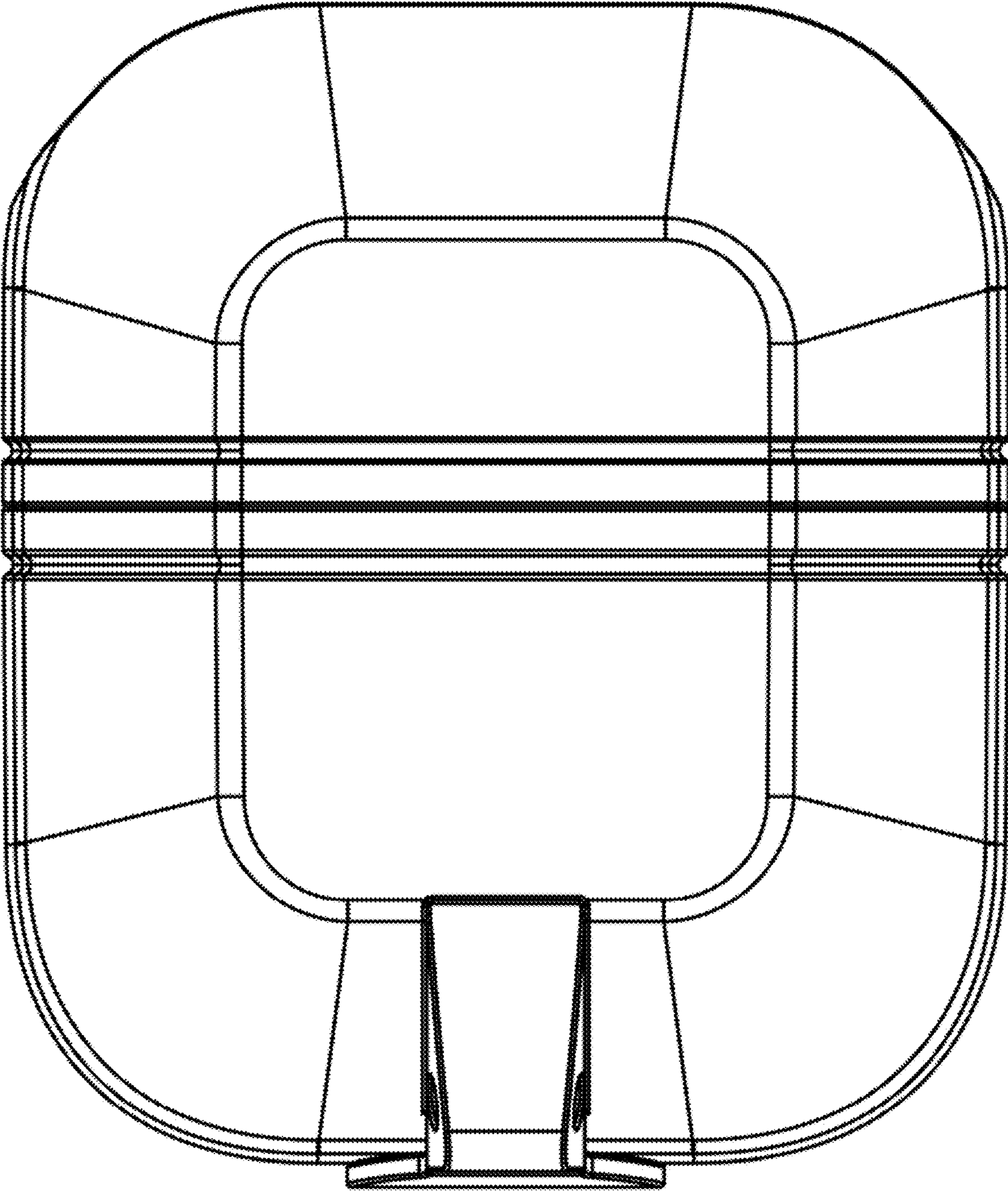


FIG. 3

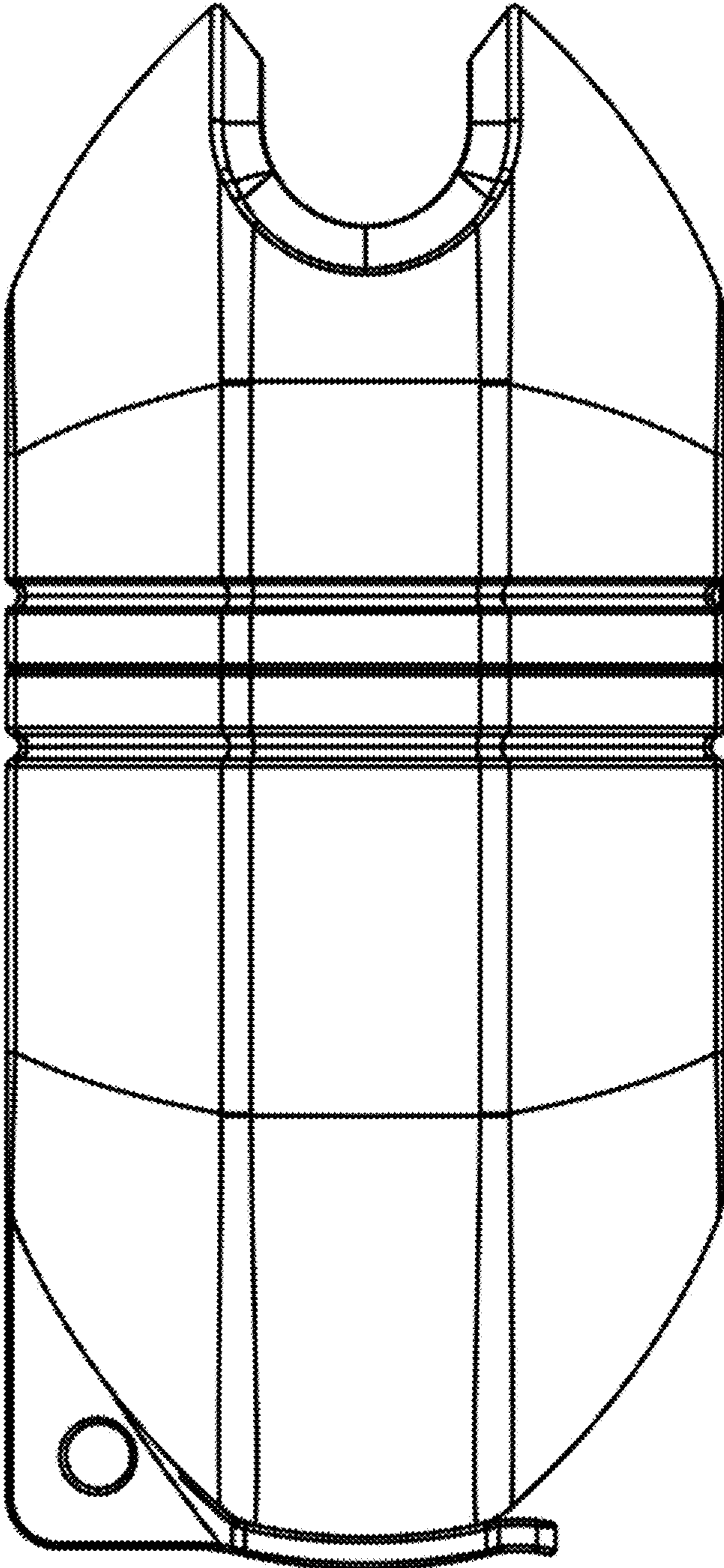


FIG. 4

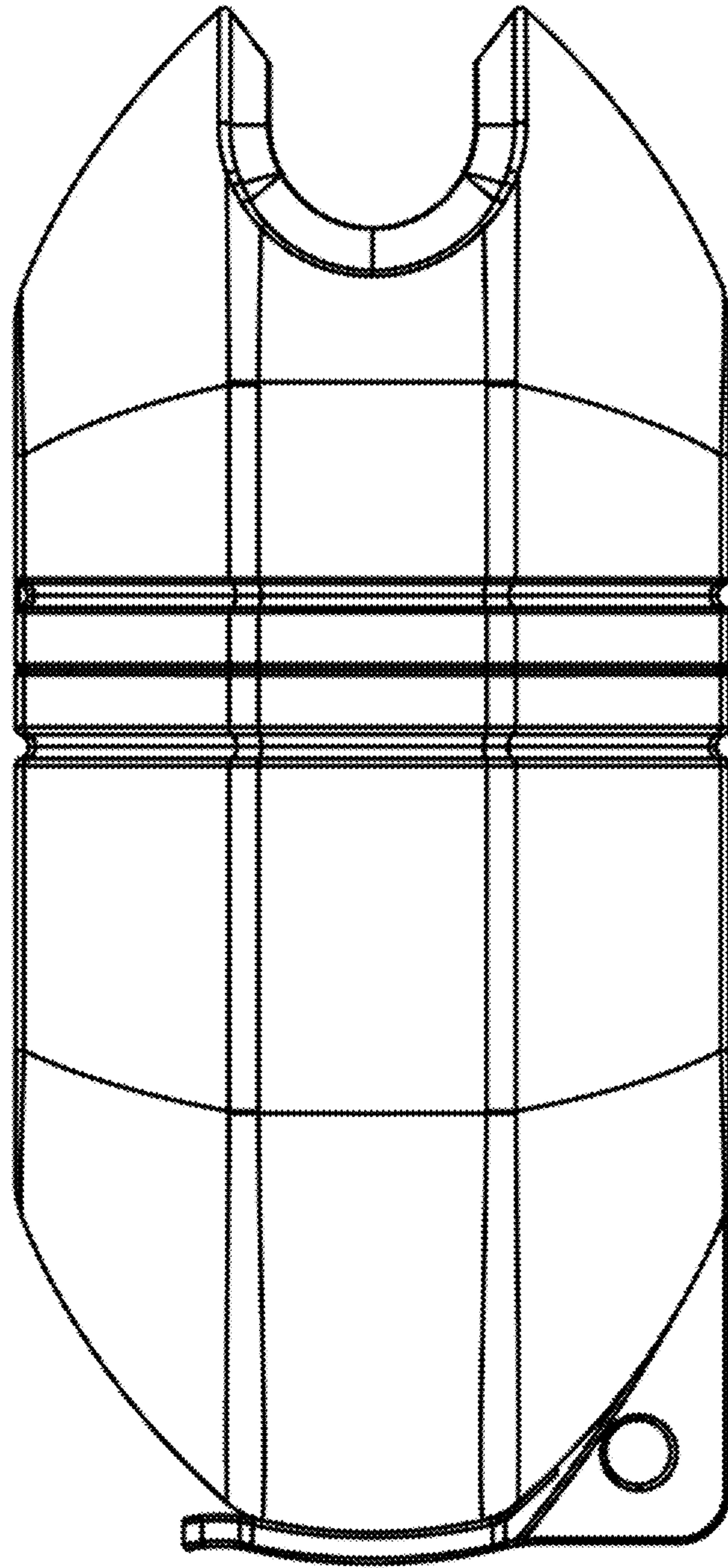


FIG. 5

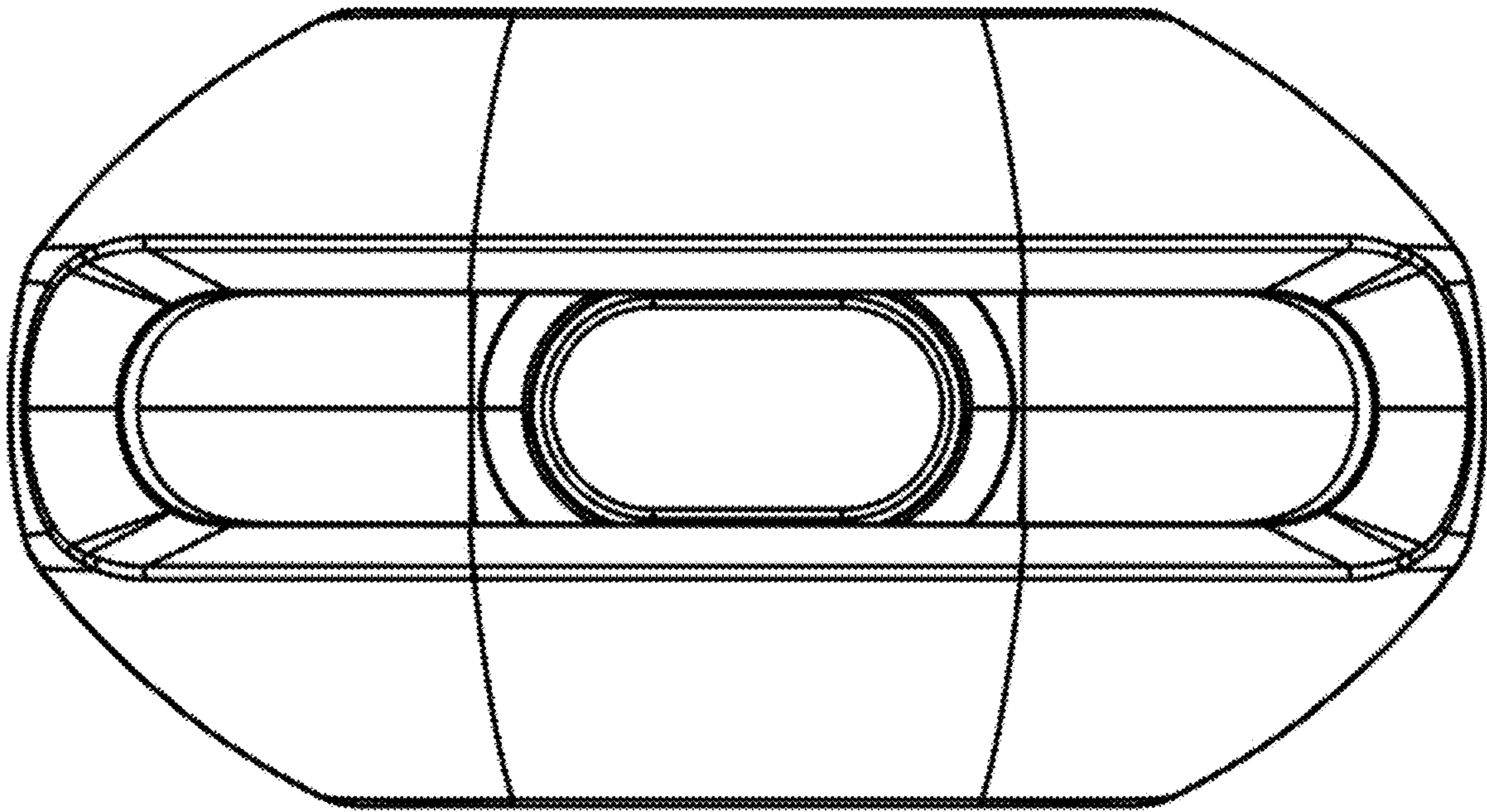


FIG. 6

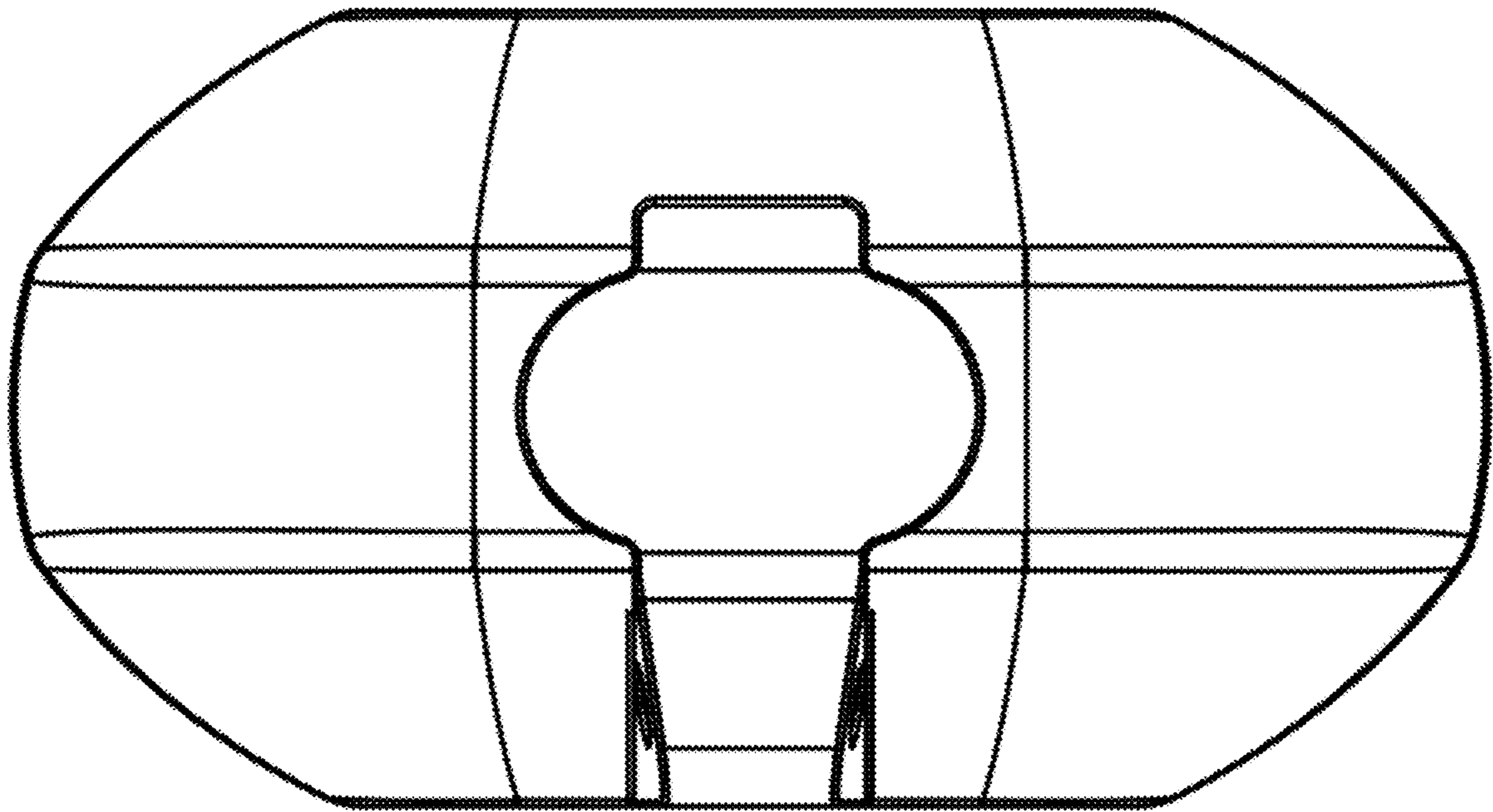


FIG. 7