



US00D941022S

(12) **United States Design Patent**  
**Kwiatkowski et al.**

(10) **Patent No.:** **US D941,022 S**  
(45) **Date of Patent:** **\*\* Jan. 18, 2022**

(54) **UTENSIL CASE**

- (71) Applicant: **Helen of Troy Limited**, St. Michael (BB)
- (72) Inventors: **Neil Kwiatkowski**, Queens, NY (US); **Daniel Grossman**, Brooklyn, NY (US); **Vicente Valderrama**, Staten Island, NY (US); **Chloe DeComo**, Brooklyn, NY (US)
- (73) Assignee: **Helen of Troy Limited**, St. Michael (BB)
- (\*\*) Term: **15 Years**

- (21) Appl. No.: **29/727,100**
- (22) Filed: **Mar. 9, 2020**
- (51) **LOC (13) Cl.** ..... **03-01**
- (52) **U.S. Cl.**  
USPC ..... **D3/294**
- (58) **Field of Classification Search**  
USPC ..... D3/272, 273, 274, 201, 205, 206, 218, D3/269, 282, 294; D6/315; D7/391, D7/601, 641; D13/107; D14/201, 223; D9/420, 423, 426, 428, 430, 431, 432, D9/436, 499, 558, 717  
CPC ..... H04R 1/1025; H02J 7/0044; Y02E 60/12; Y01R 13/6675; B65D 85/182; A47F 8/02  
See application file for complete search history.

(56) **References Cited**

**U.S. PATENT DOCUMENTS**

- D259,596 S \* 6/1981 Gray ..... D3/205
- D342,895 S \* 1/1994 Mall ..... D9/423
- D349,207 S \* 8/1994 Wolff ..... D6/536

(Continued)

**FOREIGN PATENT DOCUMENTS**

- CN 304263200 \* 9/2017
- CN 305405169 \* 10/2019

(Continued)

**OTHER PUBLICATIONS**

REI.com, site visited Nov. 15, 2021, Huangear GoBites Trio Utensil Set, First Available Dec. 24, 2016 via WayBack Machine Internet Archive, <http://web.archive.org/web/20160824233946/https://www.rei.com/product/108191/huangear-gobites-trio-utensil-set> (Year: 2016).\*

(Continued)

*Primary Examiner* — Brett Miller

*Assistant Examiner* — Jessica M Gebhart

(74) *Attorney, Agent, or Firm* — Rankin, Hill & Clark LLP

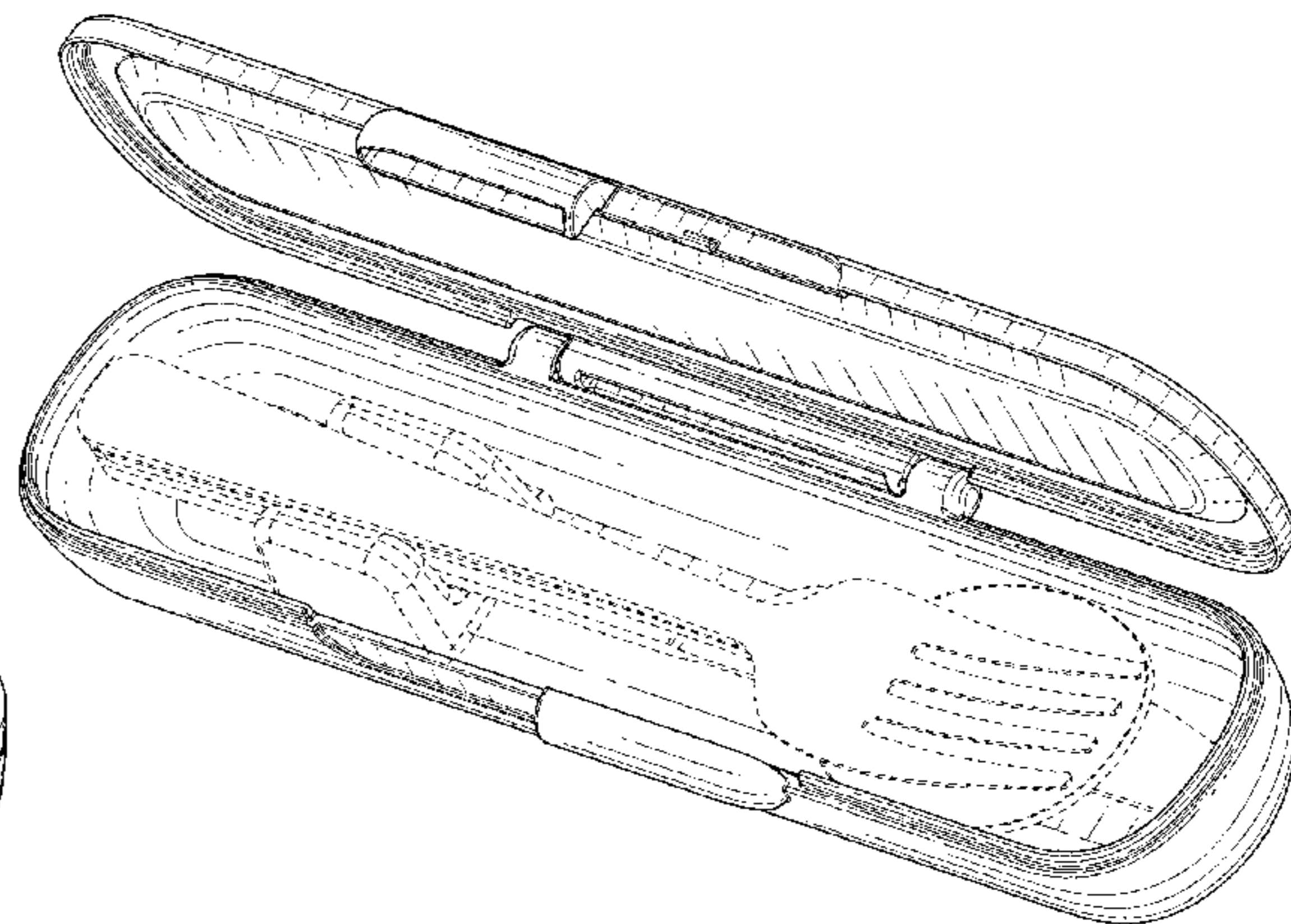
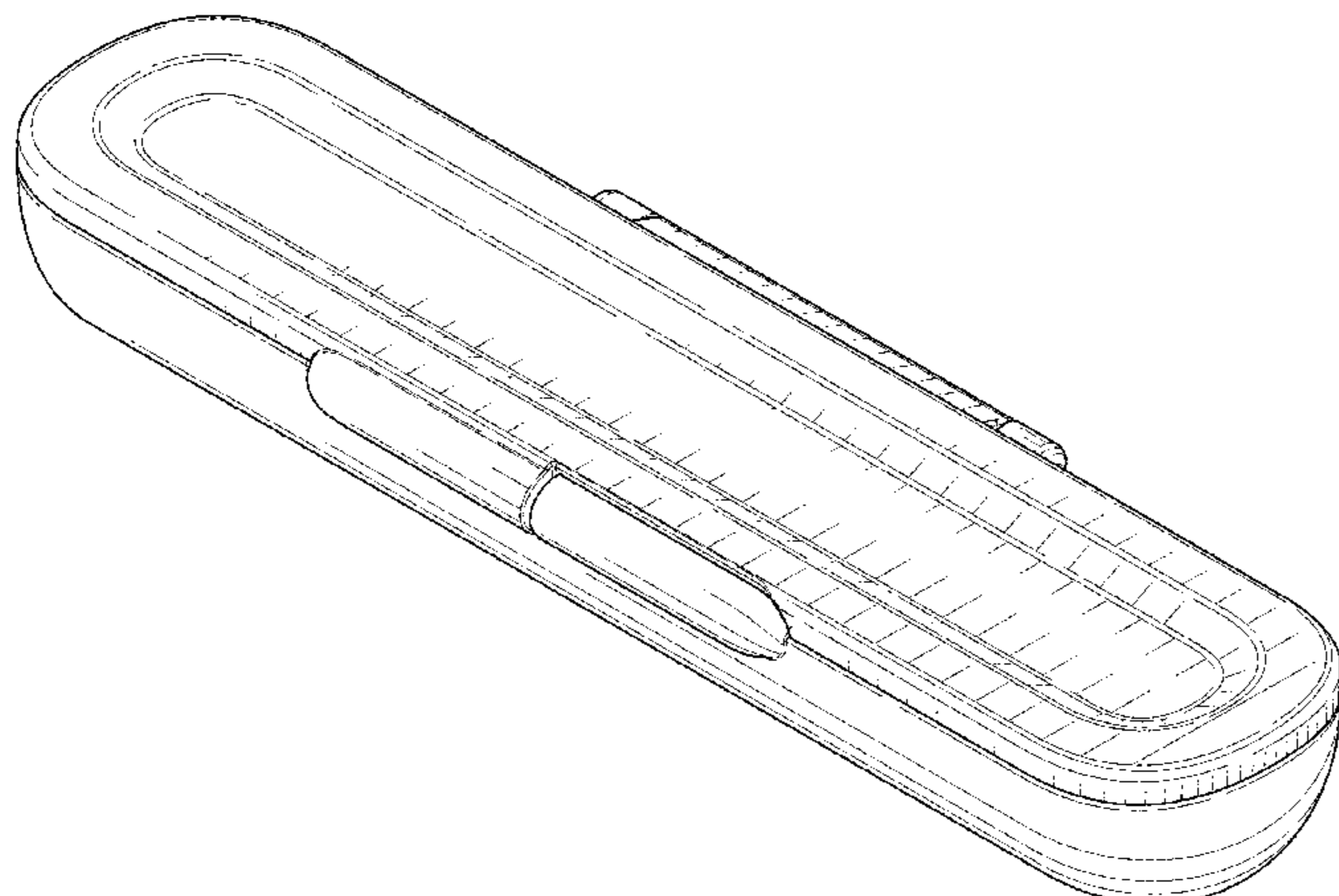
(57) **CLAIM**

The ornamental design for a utensil case, as shown and described.

**DESCRIPTION**

FIG. 1 is a perspective view of a new, original and ornamental design for a utensil case, a lid of the utensil case in a closed position;  
 FIG. 2 is a front elevation view of FIG. 1;  
 FIG. 3 is a rear elevation view of FIG. 1;  
 FIG. 4 is a left side elevation view of FIG. 1;  
 FIG. 5 is a right side elevation view of FIG. 1;  
 FIG. 6 is a top plan view of FIG. 1;  
 FIG. 7 is a bottom plan view of FIG. 1;  
 FIG. 8 is a perspective view of the utensil case, with the lid of the utensil case in an open position;  
 FIG. 9 is a top plan view of FIG. 8;  
 FIG. 10 is a cross-sectional view taken along line 10-10 of FIG. 9; and,  
 FIG. 11 is a perspective view of FIG. 8 further depicting associated utensils releasably held within the utensil case. The broken lines in the drawings depict portions of the utensil case including environmental structure that form no part of the claimed design.

**1 Claim, 8 Drawing Sheets**



(56)

**References Cited**

U.S. PATENT DOCUMENTS

D430,727 S \* 9/2000 Wisniewski ..... D3/201  
D572,654 S \* 7/2008 Kang ..... D13/107  
D586,557 S \* 2/2009 Jalet ..... D3/294  
D641,164 S \* 7/2011 Cornu ..... D3/294  
D662,320 S \* 6/2012 De Leo ..... D3/274  
2019/0350326 A1 \* 11/2019 Hicks, Jr. .... A45C 11/00

FOREIGN PATENT DOCUMENTS

CN 305501498 \* 12/2019  
CN 305506594 \* 12/2019  
KR 300898641.0000 \* 3/2017

OTHER PUBLICATIONS

Amazon.com, site visited Nov. 15, 2021, Anskow 4-Piece Portable Travel Utensils Set with Case, First Available Nov. 26, 2019, <https://www.amazon.com/Outdoor-Flatware-Stainless-Travel-Camping/dp/B082288S1Y> (Year: 2019).\*

Amazon.com, site visited Nov. 15, 2021, ArderLive Portable Flatware Set, First Available Feb. 21, 2020, <https://www.amazon.com/dp/B0852WFPTJ> (Year: 2020).\*

\* cited by examiner

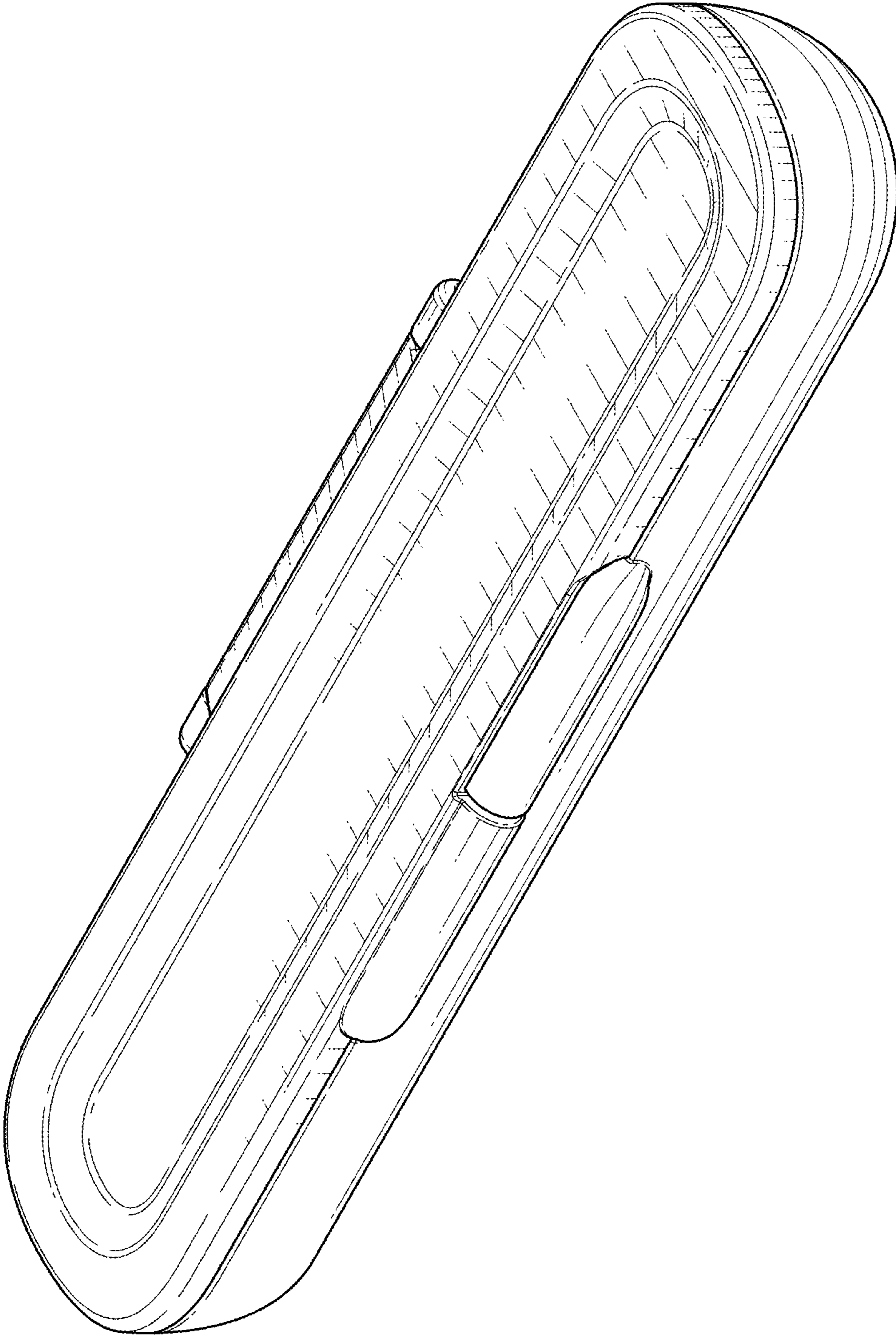


FIG. 1

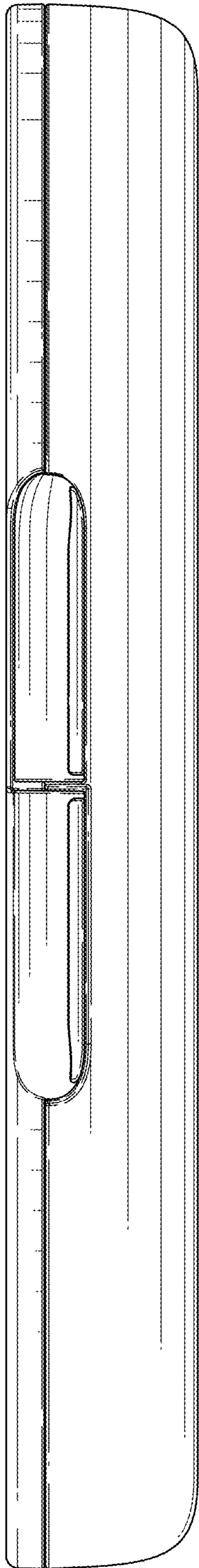


FIG. 2

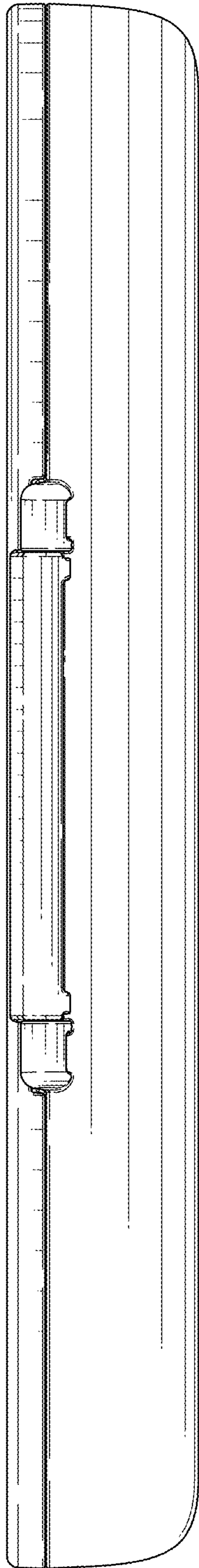


FIG. 3

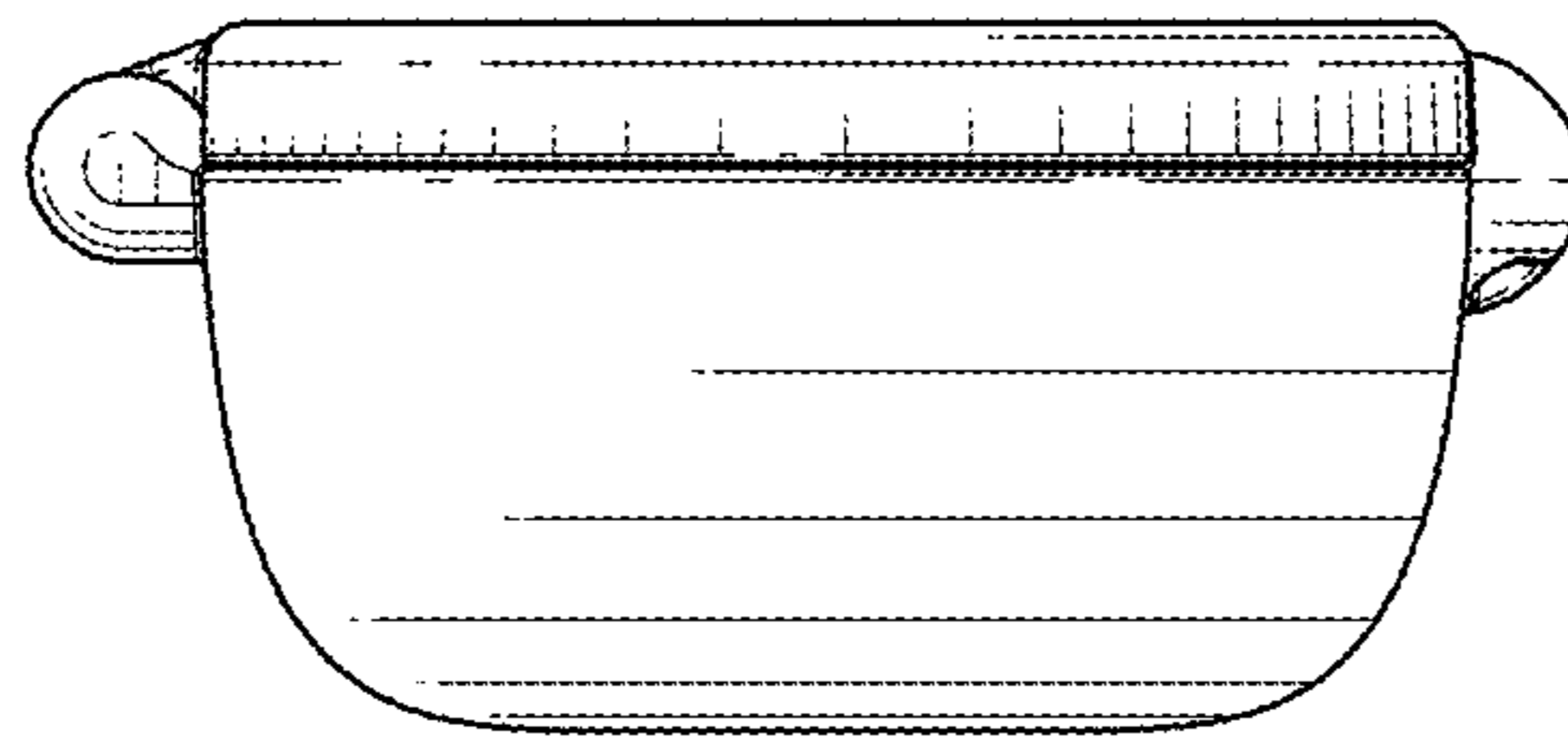


FIG. 4

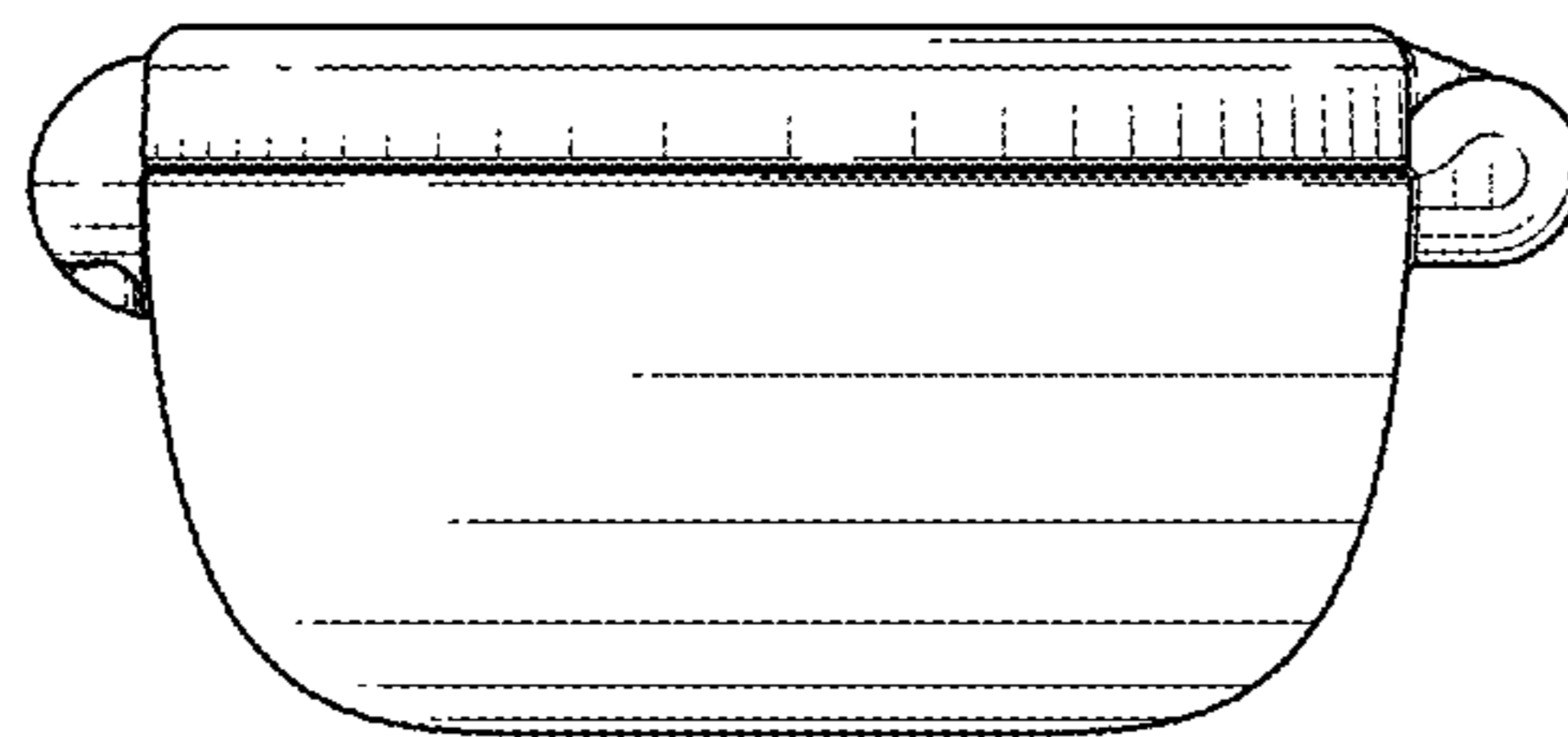


FIG. 5

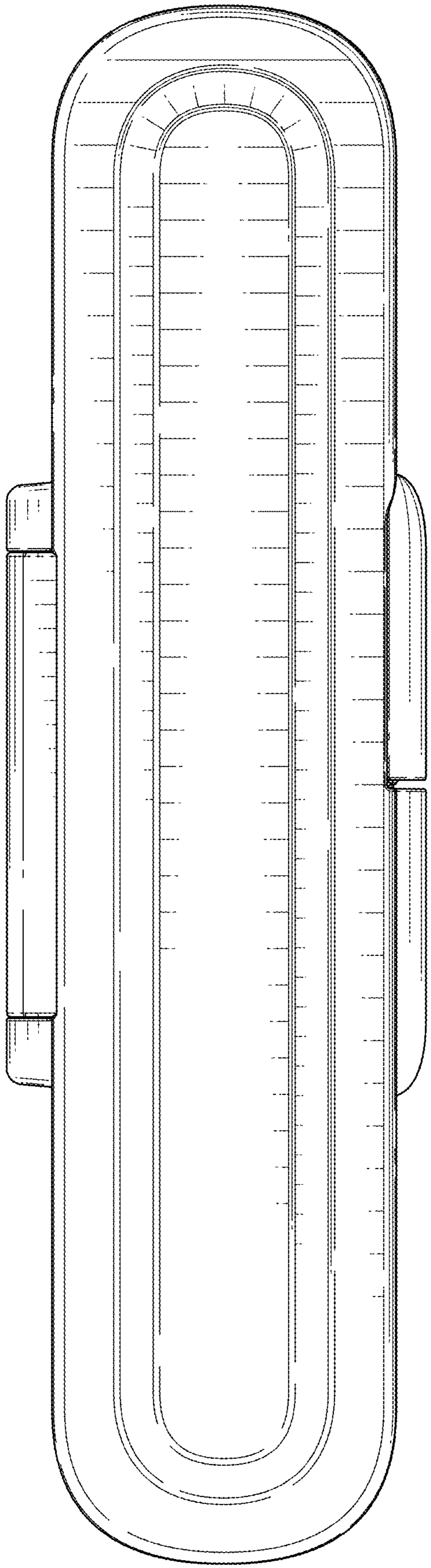


FIG. 6

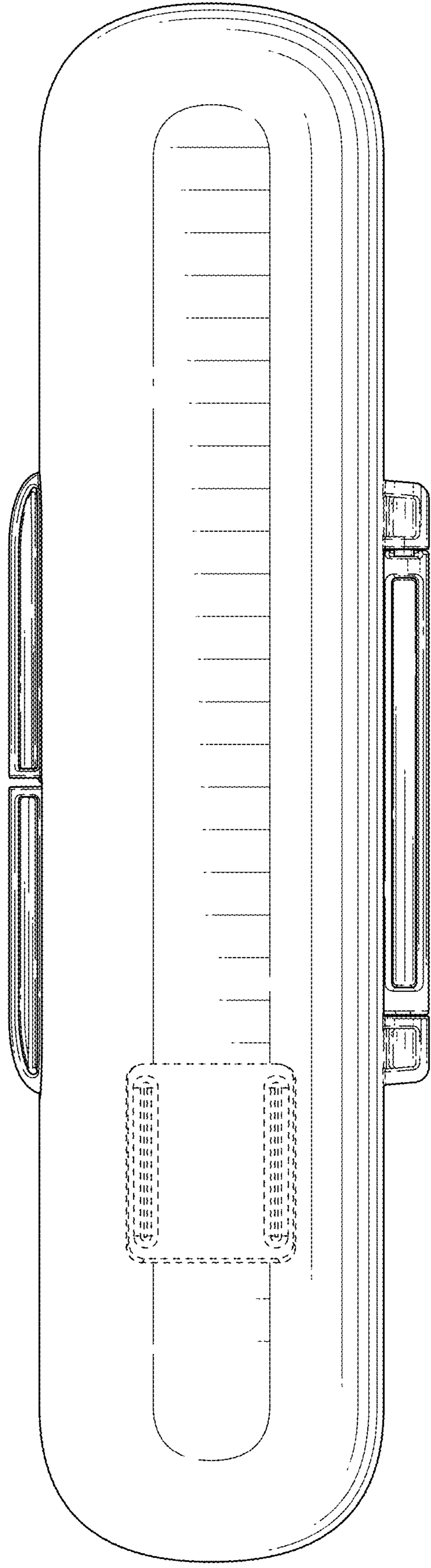


FIG. 7

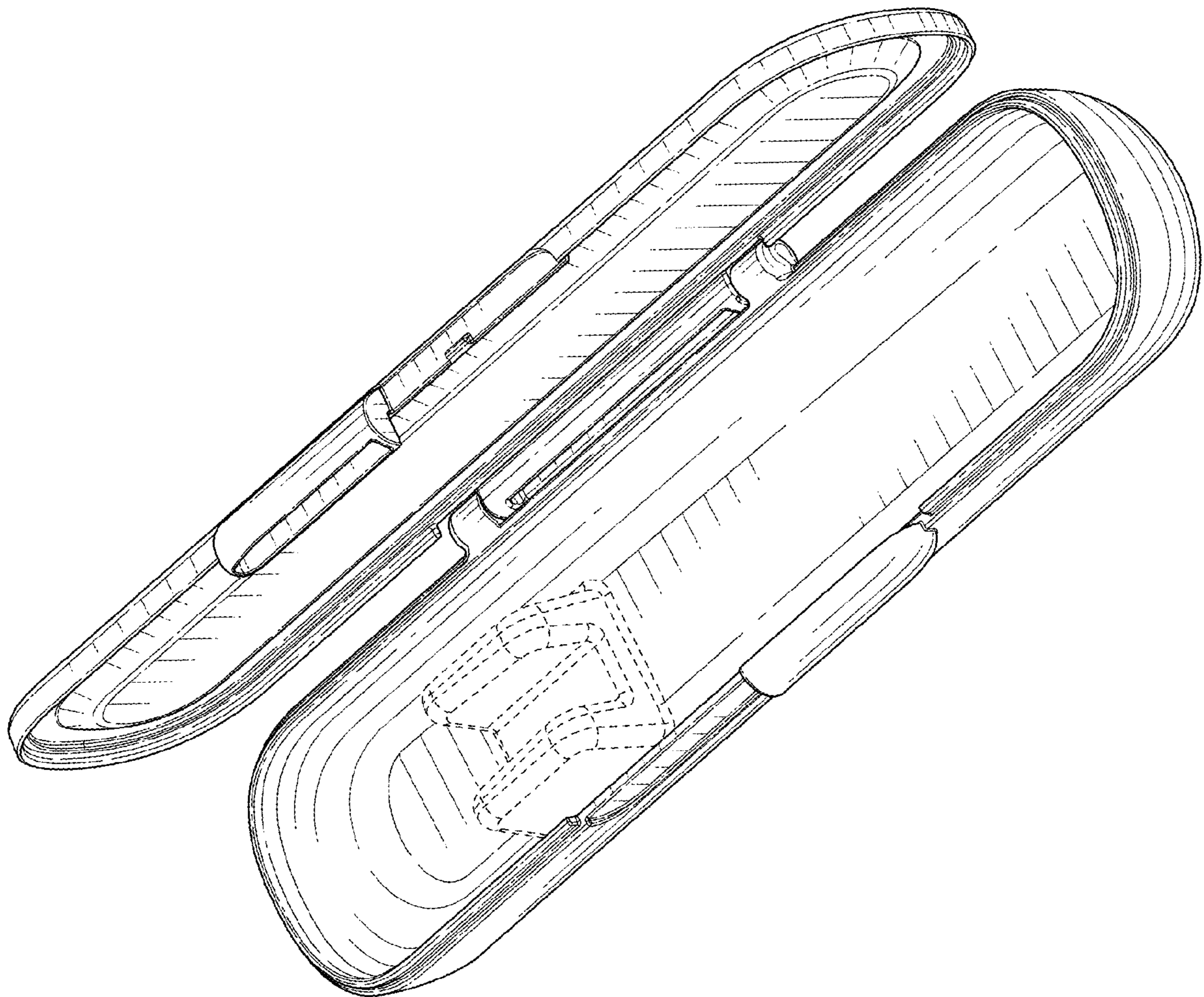


FIG. 8

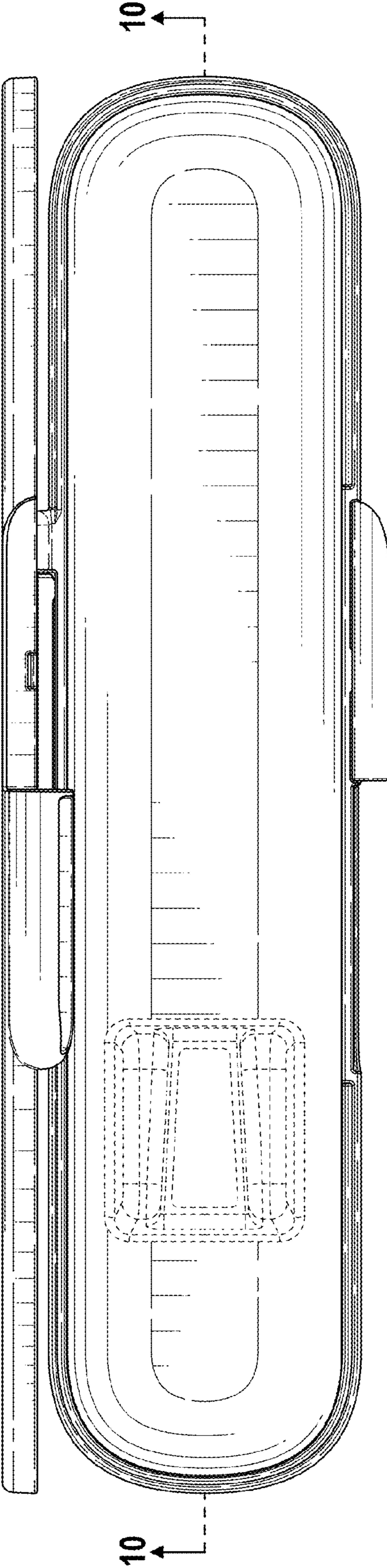


FIG. 9



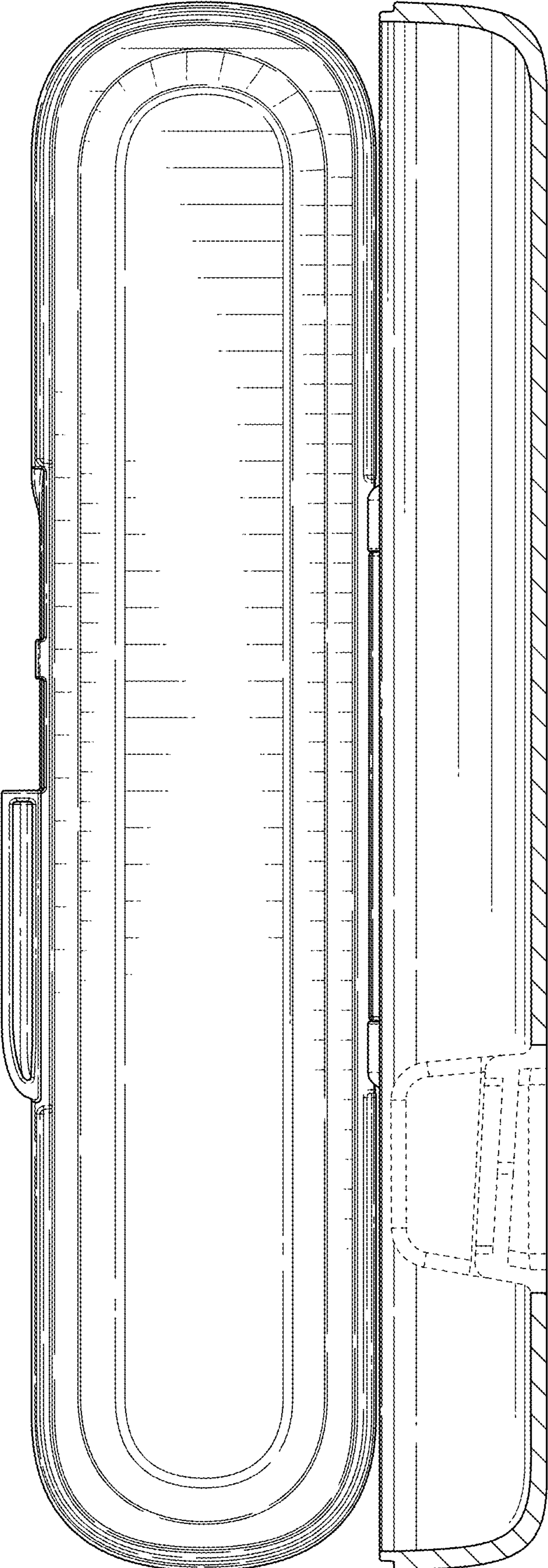


FIG. 10

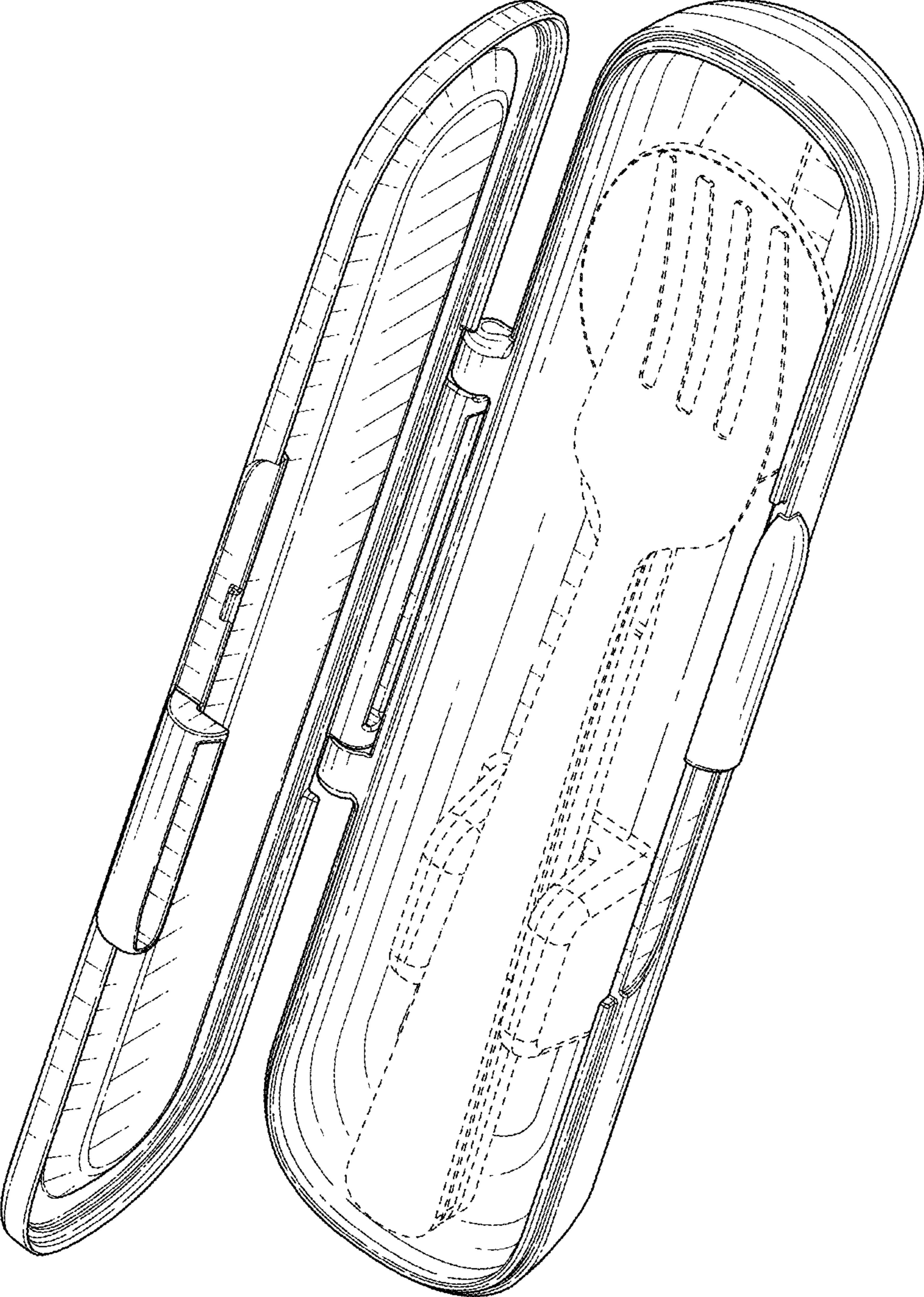


FIG. 11