



US00D941018S

(12) **United States Design Patent** (10) **Patent No.:** **US D941,018 S**
Sassi (45) **Date of Patent:** **** Jan. 18, 2022**

(54) **BAG**
(71) Applicant: **VALENTINO S.p.A.**, Milan (IT)
(72) Inventor: **Stefano Sassi**, Milan (IT)
(73) Assignee: **VALENTINO S.p.A.**, Milan (IT)
(**) Term: **15 Years**
(21) Appl. No.: **29/729,387**
(22) Filed: **Mar. 26, 2020**
(30) **Foreign Application Priority Data**

Sep. 27, 2019 (IT) 402019000001901
(51) **LOC (13) Cl.** **03-01**
(52) **U.S. Cl.**
USPC **D3/245**
(58) **Field of Classification Search**
USPC D3/232–233, 243, 245–247, 249–250,
D3/252–253, 301, 303
CPC A45C 3/06; A45C 13/30; A45C 13/103;
A45C 3/001
See application file for complete search history.

(56) **References Cited**

U.S. PATENT DOCUMENTS

D235,936 S * 7/1975 Chernoff D3/237
D441,314 S * 5/2001 Nisguretsky D11/86
D723,267 S * 3/2015 Basha D3/232
D757,428 S * 5/2016 Spaziani D3/243
D758,721 S * 6/2016 Maniez De La Hennerie
D3/243
D775,822 S * 1/2017 Dumas D3/243
D778,047 S * 2/2017 Koutsolioutsos D3/245
D790,388 S * 6/2017 Sassi D11/86
D831,344 S * 10/2018 Zeller D3/232
D854,320 S * 7/2019 Gerbi D3/245
D857,391 S * 8/2019 Coleman D3/301
D862,076 S * 10/2019 Dumas D3/245
D870,456 S * 12/2019 Xia D3/301

D874,152 S * 2/2020 Burton-Burton D3/319
D877,493 S * 3/2020 Zhang D3/215
D891,764 S * 8/2020 Sassi D3/243
D901,170 S * 11/2020 Sassi D3/232
D912,978 S * 3/2021 Sassi D3/243
2004/0206430 A1* 10/2004 Chang A45C 3/06
150/110
2013/0186530 A1* 7/2013 Gaerlan A45C 13/30
150/110
2015/0327646 A1* 11/2015 Chang A45F 3/02
150/110

(Continued)

FOREIGN PATENT DOCUMENTS

IT 2019000001901 * 9/2019

OTHER PUBLICATIONS

“Valentino Garavani Vlogo Walk Crossbody Bag In Pink”, first available May 2020, modesens.com, site visited Sep. 22, 2021: <https://modesens.com/product/valentino-garavani-vlogo-walk-crossbody-bag-pink-20069388/> (Year: 2020).*

Primary Examiner — Jennifer L Watkins
Assistant Examiner — Samantha Lynne Brodowski
(74) *Attorney, Agent, or Firm* — Armstrong Teasdale LLP

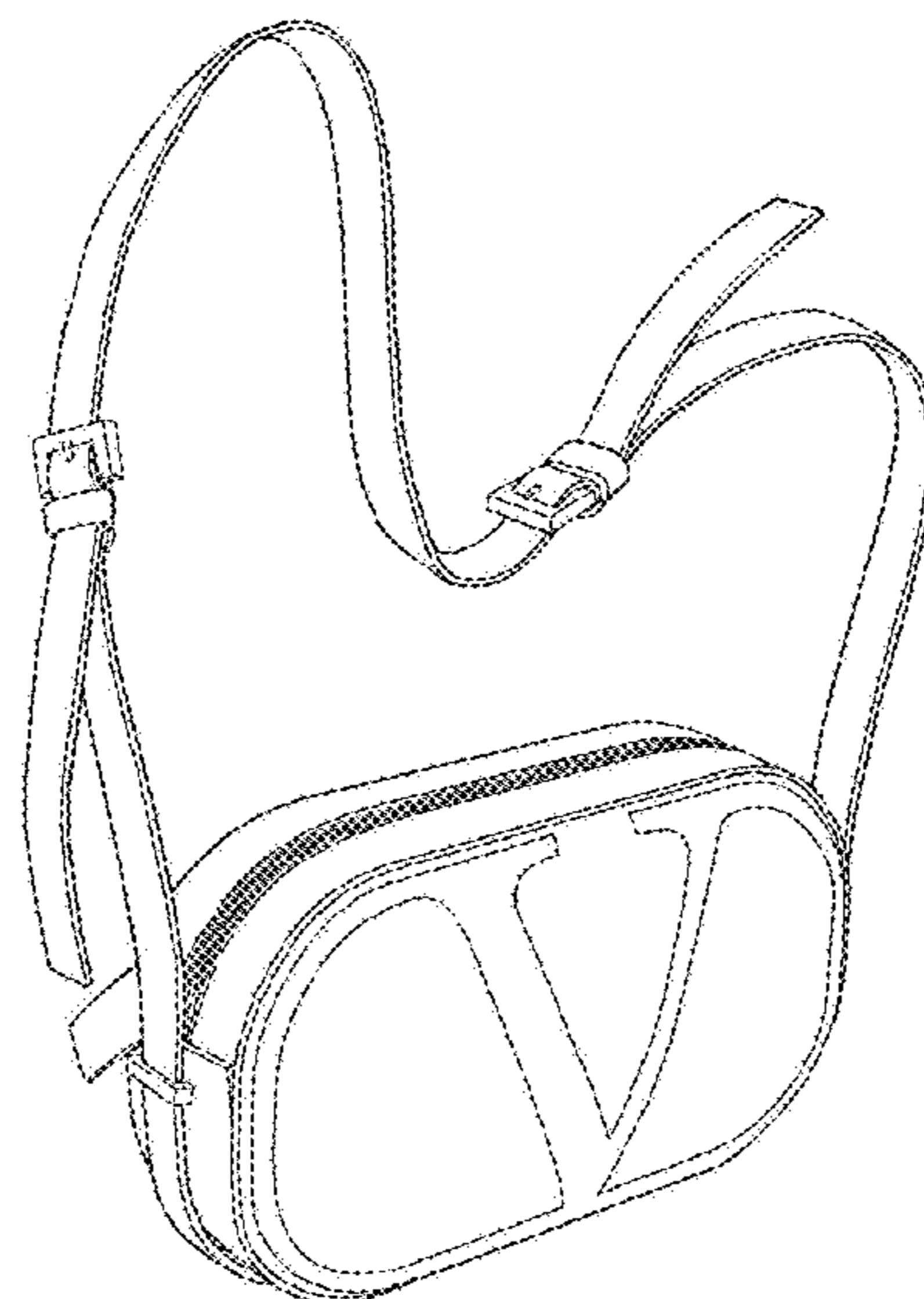
(57) **CLAIM**

I claim the ornamental design for a bag, as shown and described.

DESCRIPTION

FIG. 1 is a perspective view of a bag in accordance with the new design.
FIG. 2 is a front view thereof.
FIG. 3 is a rear view thereof.
FIG. 4 is right side view thereof.
FIG. 5 is a left side view thereof.
FIG. 6 is a top view thereof; and,
FIG. 7 is a bottom view thereof.

1 Claim, 7 Drawing Sheets



(56)

References Cited

U.S. PATENT DOCUMENTS

2019/0246760 A1* 8/2019 Stein A45C 13/02
2021/0219687 A1* 7/2021 Bell A45C 13/24

* cited by examiner

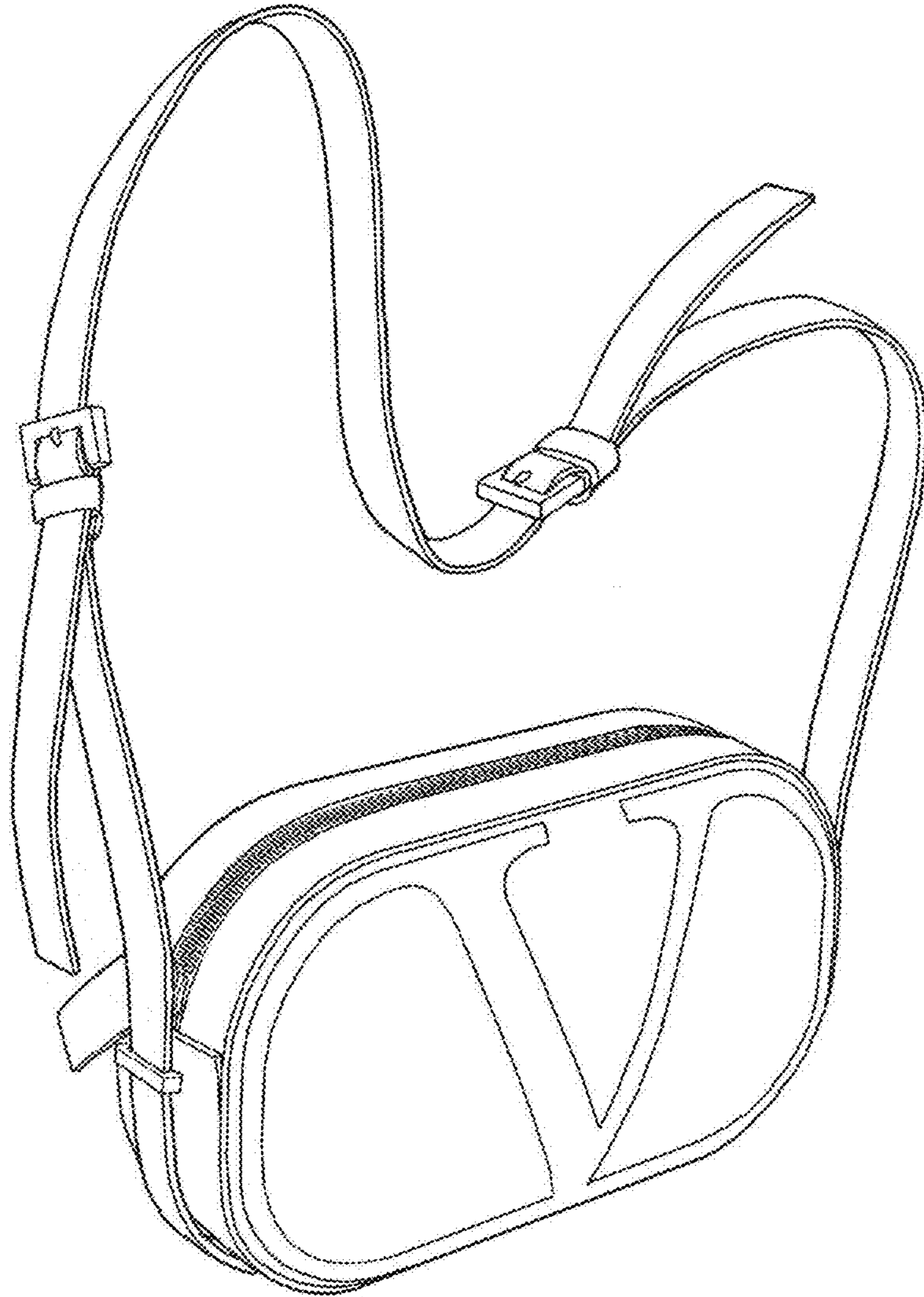


FIG. 1

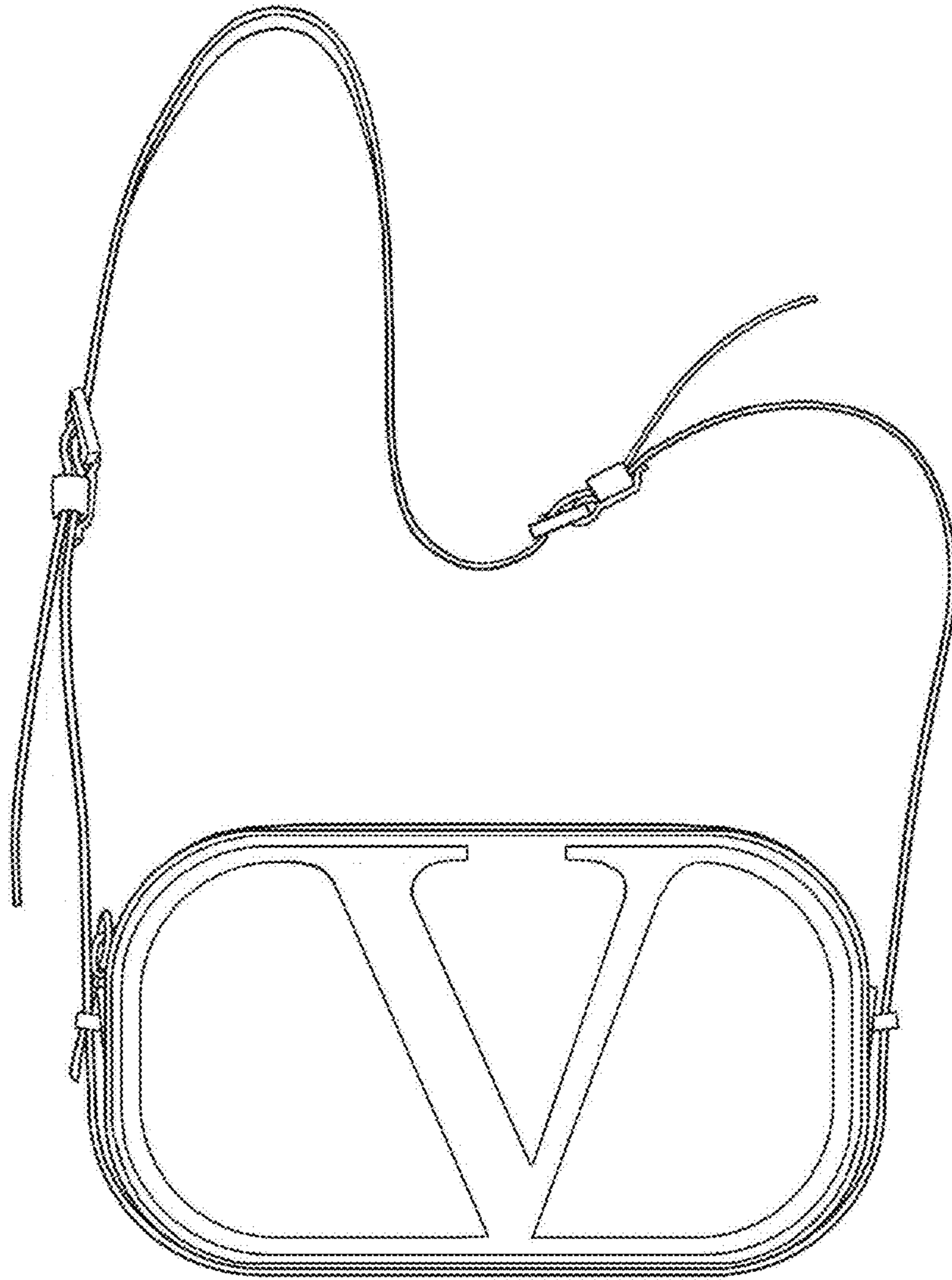


FIG. 2

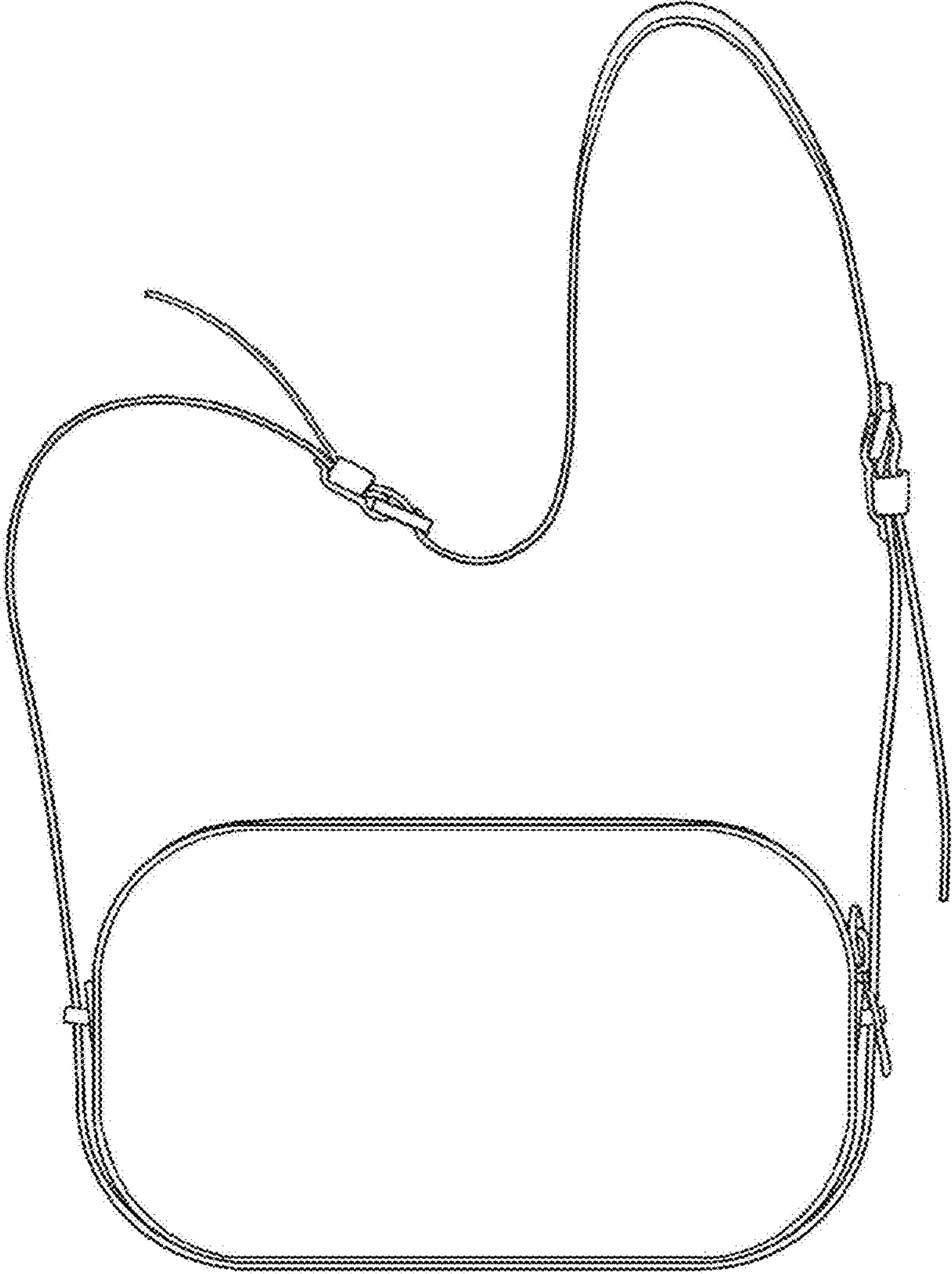


FIG. 3

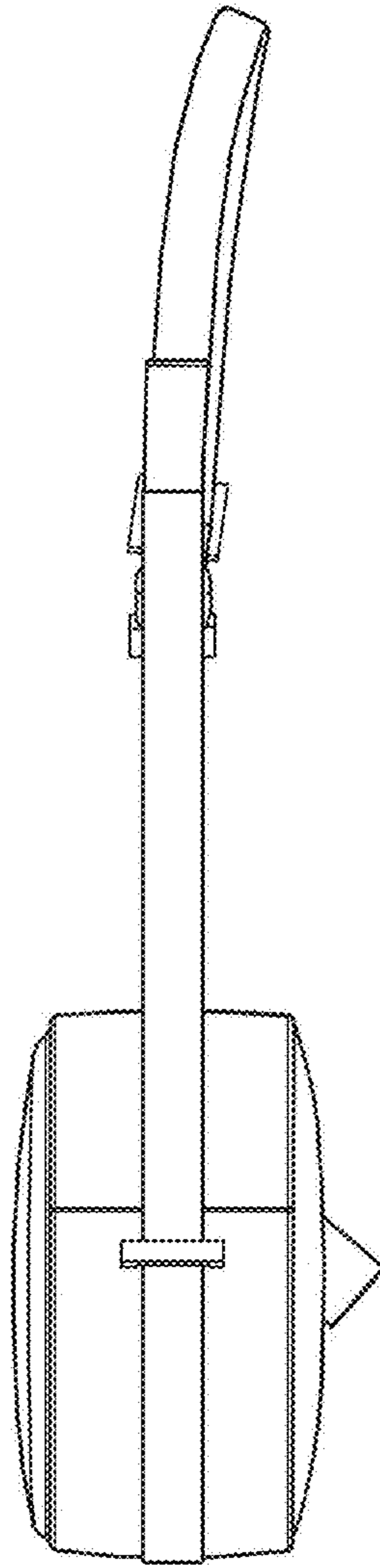


FIG. 4

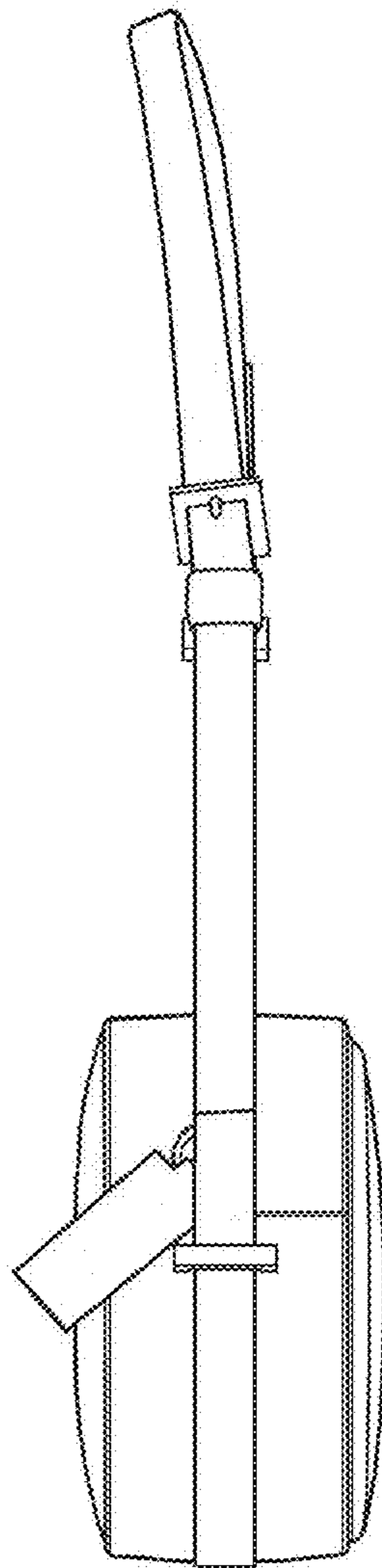


FIG. 5

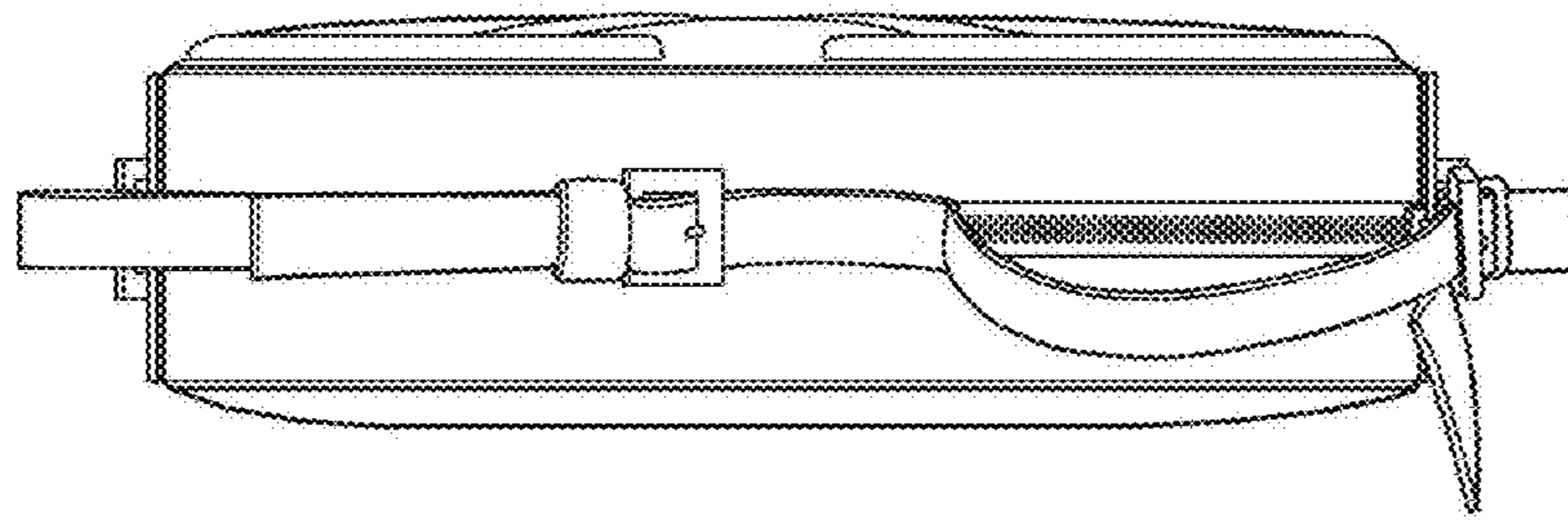


FIG. 6

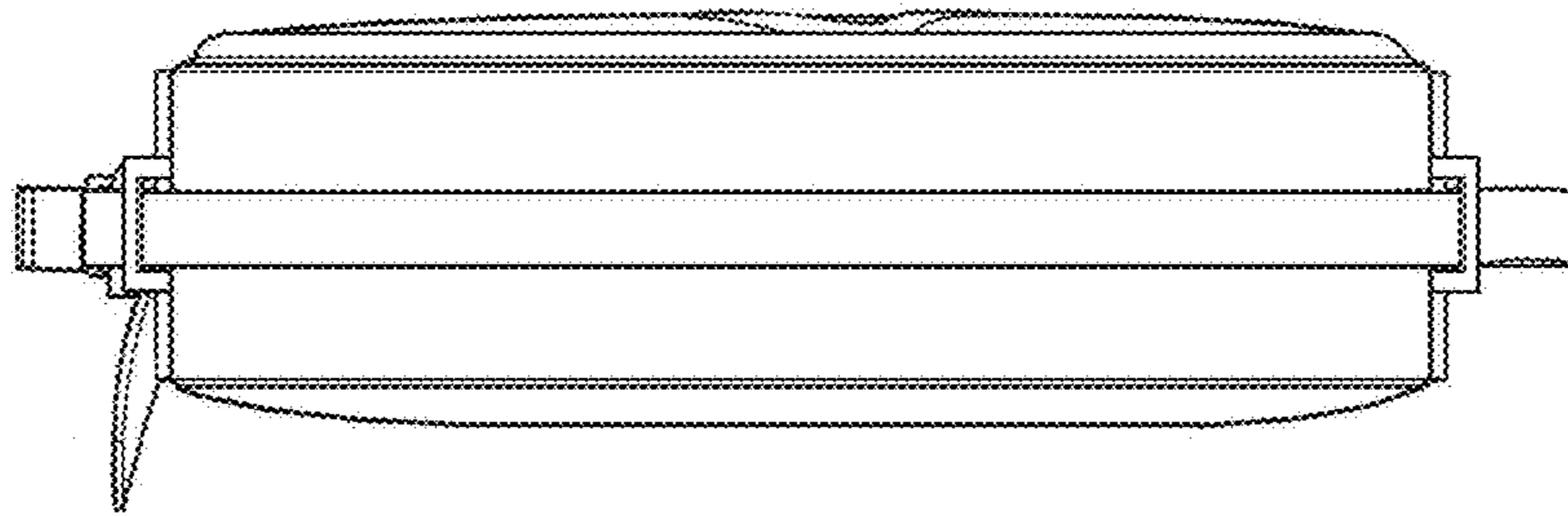


FIG. 7

UNITED STATES PATENT AND TRADEMARK OFFICE
CERTIFICATE OF CORRECTION

PATENT NO. : D941,018 S
APPLICATION NO. : 29/729387
DATED : January 18, 2022
INVENTOR(S) : Piccioli

Page 1 of 1

It is certified that error appears in the above-identified patent and that said Letters Patent is hereby corrected as shown below:

On the Title Page

Item (12), should read:
Piccioli

Item (72), should read:
Pierpaolo Piccioli, Milan (IT)

Signed and Sealed this
Thirty-first Day of May, 2022
Katherine Kelly Vidal

Katherine Kelly Vidal
Director of the United States Patent and Trademark Office