



US00D941016S

(12) **United States Design Patent** (10) **Patent No.:** **US D941,016 S**  
**Mametsuka** (45) **Date of Patent:** **\*\* Jan. 18, 2022**

(54) **HANDBAG**

(56) **References Cited**

(71) Applicant: **Kumiko Mametsuka**, Fukuoka (JP)

U.S. PATENT DOCUMENTS

(72) Inventor: **Kumiko Mametsuka**, Fukuoka (JP)

D142,852 S *	11/1945	Glick .....	D3/246
D230,660 S *	3/1974	Hayes .....	D3/246
D254,157 S *	2/1980	Pelavin .....	D3/289
D265,948 S *	8/1982	Stark .....	D3/289
D696,859 S *	1/2014	Lucido .....	D3/232
D735,993 S *	8/2015	Koepke .....	D3/284
D758,069 S *	6/2016	Dumas .....	D3/232
D773,813 S *	12/2016	Jakubowski .....	D3/246
D779,202 S *	2/2017	Xia .....	D3/289
D781,110 S *	3/2017	Jacobsen .....	D7/607
D802,297 S *	11/2017	Dumas .....	D3/232
D803,563 S *	11/2017	Leblanc .....	D3/289
D853,717 S *	7/2019	Shuai .....	D3/232
D857,380 S *	8/2019	Dumas .....	D3/232

(73) Assignee: **Kumiko Mametsuka**, Fukuoka-ken (JP)

(\*\*) Term: **15 Years**

(21) Appl. No.: **35/510,329**

(22) Filed: **Jul. 28, 2020**

(80) **Hague Agreement Data**

Int. Filing Date: **Jul. 28, 2020**

Int. Reg. No.: **DM/210189**

Int. Reg. Date: **Jul. 28, 2020**

Int. Reg. Pub. Date: **Sep. 18, 2020**

\* cited by examiner

*Primary Examiner* — Holly E Thurman

(30) **Foreign Application Priority Data**

Jan. 29, 2020 (JP) ..... 2020-001464 D

(51) **LOC (13) Cl.** ..... **03-01**

(52) **U.S. Cl.**

USPC ..... **D3/232**

(58) **Field of Classification Search**

USPC ..... D3/201, 217, 232-233, 239, 240-243,

D3/245-247, 249-253, 318, 321, 322

CPC ..... A45C 1/024; A45C 3/06

See application file for complete search history.

(57) **CLAIM**

The ornamental design for a handbag, as shown and described.

**DESCRIPTION**

1. Handbag

1.1 : Perspective

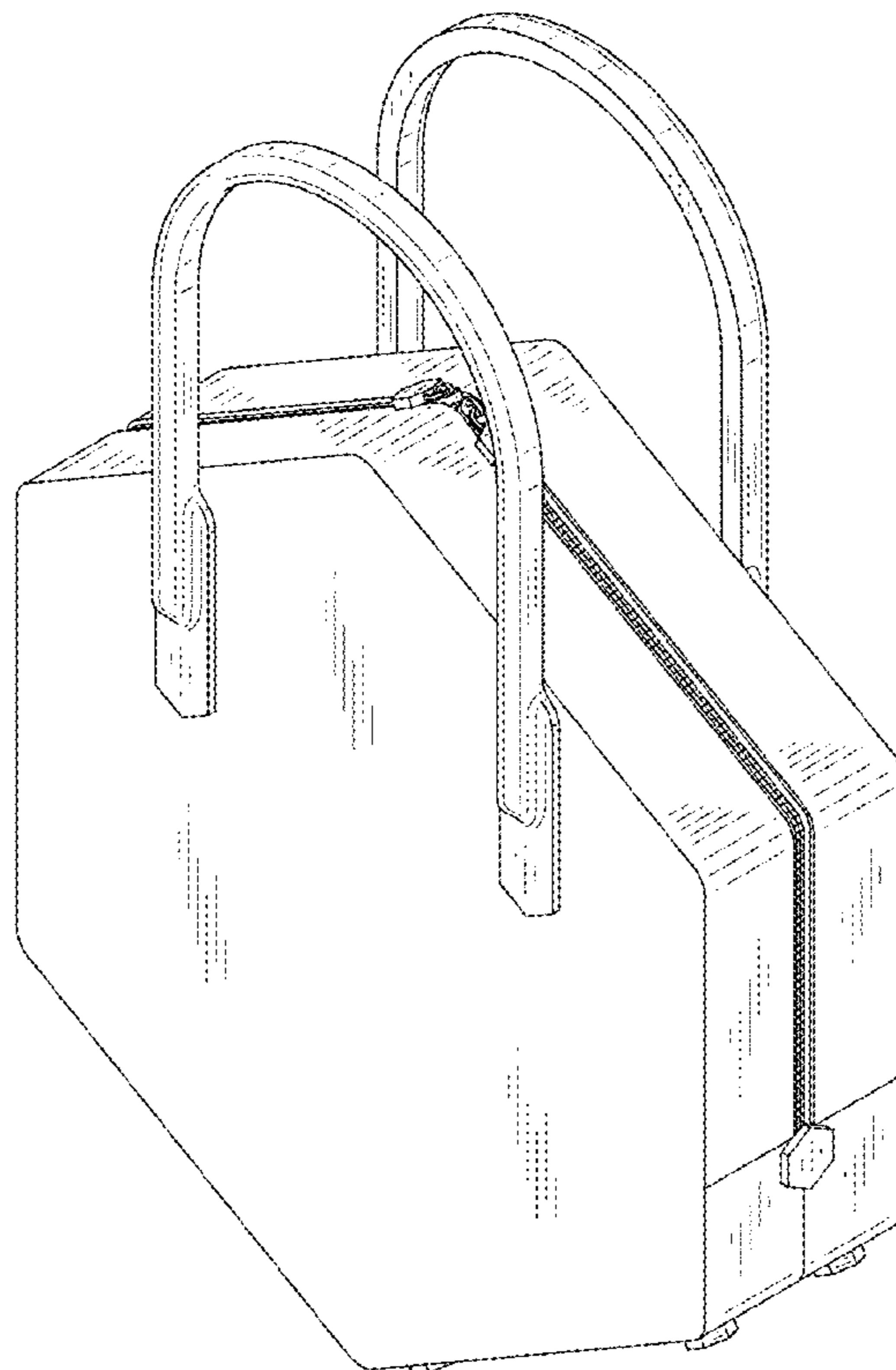
1.2 : Front, the back view being identical thereof;

1.3 : Top;

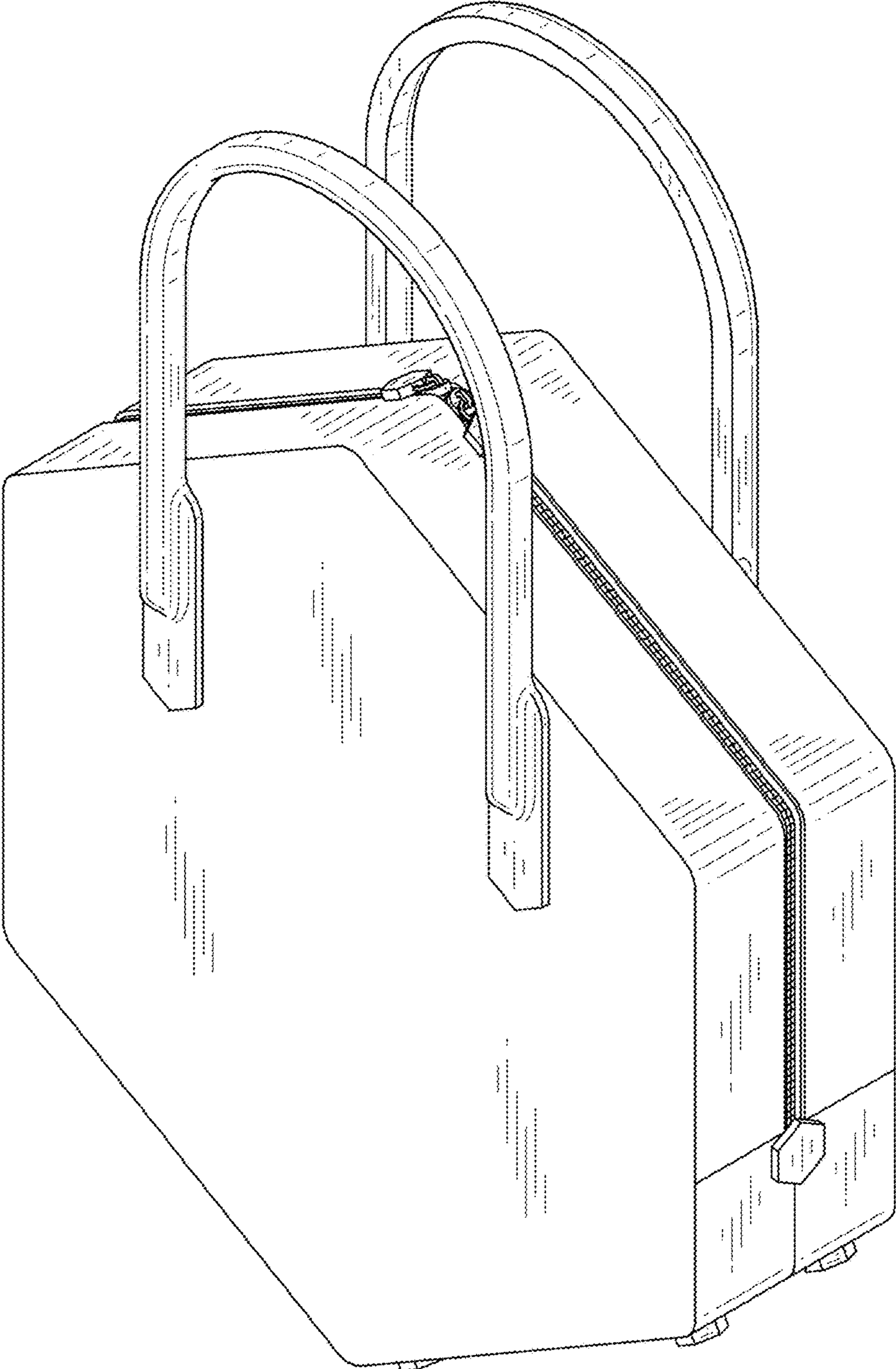
1.4 : Bottom;

1.5 : Right, the left side view being identical thereof.

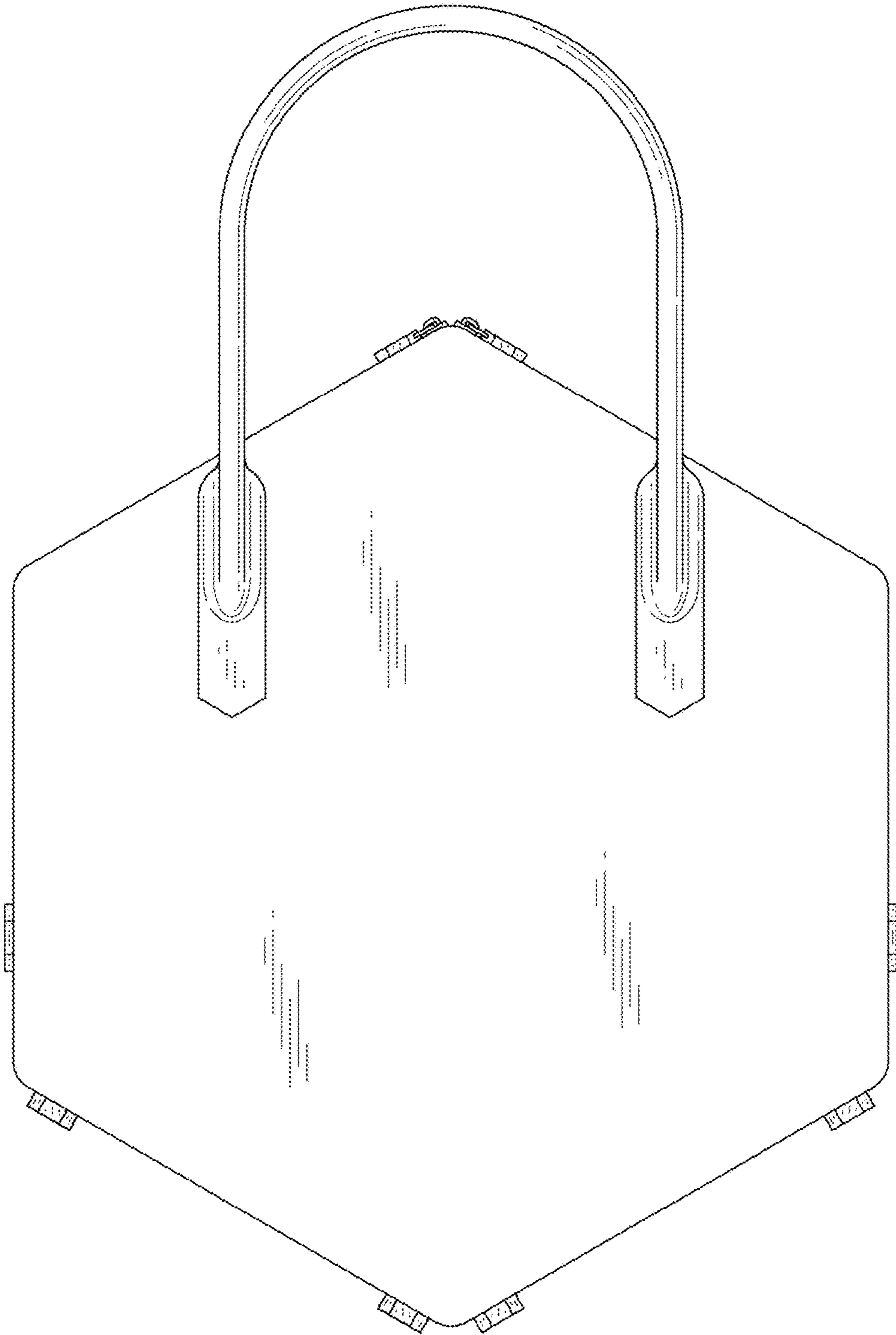
**1 Claim, 5 Drawing Sheets**



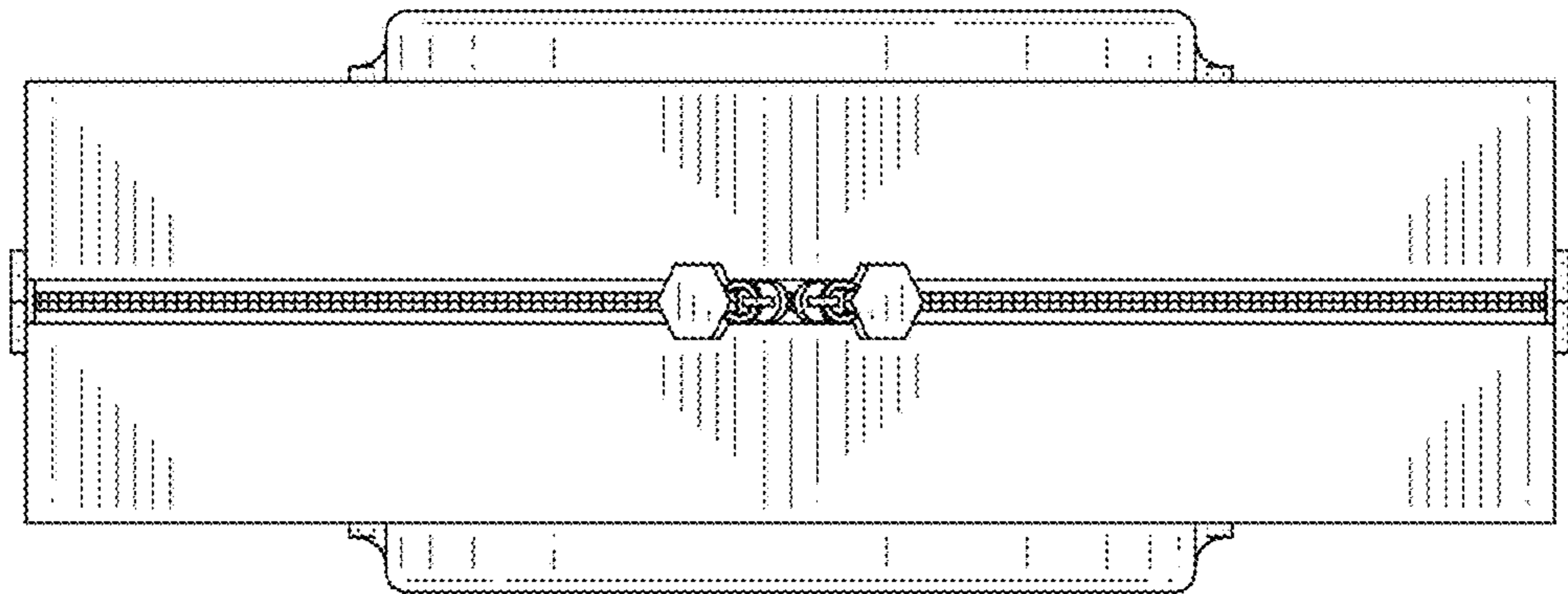
1.1



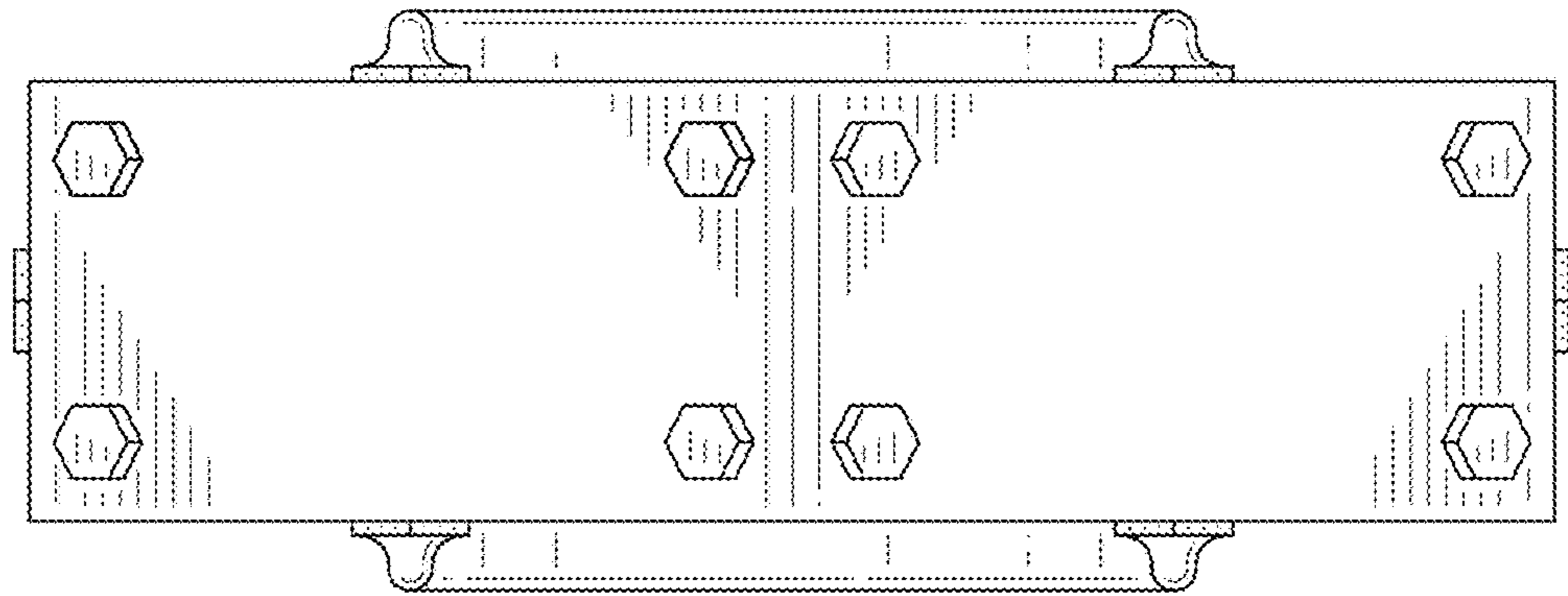
1.2



1.3



1.4



1.5

