



US00D941014S

(12) **United States Design Patent**  
**Ren**

(10) **Patent No.:** **US D941,014 S**  
(45) **Date of Patent:** **\*\* Jan. 18, 2022**

- (54) **LAPTOP BACKPACK**
- (71) Applicant: **SHENZHEN HUAYI INDUSTRIAL CO., LTD**, Shenzhen (CN)
- (72) Inventor: **Dehua Ren**, Shenzhen (CN)
- (73) Assignee: **SHENZHEN HUAYI INDUSTRIAL CO., LTD**, Shenzhen (CN)
- (\*\*) Term: **15 Years**
- (21) Appl. No.: **29/779,270**
- (22) Filed: **Apr. 18, 2021**
- (51) **LOC (13) Cl.** ..... **03-01**
- (52) **U.S. Cl.**  
USPC ..... **D3/217**
- (58) **Field of Classification Search**  
USPC ..... D3/216, 217, 243  
CPC ..... A45F 3/04; A45F 2003/003; A45F 4/02;  
A45F 5/021; Y10S 224/92; Y10S 16/40;  
Y10S 224/922; Y10S 383/907; A01K  
97/06; A45C 11/20; A45C 5/06; A45C  
11/02; A45C 13/02; A45C 13/08; A45C  
3/00; A45C 7/0063  
See application file for complete search history.

D819,959 S *	6/2018	Choi	.....	D3/217
D851,393 S *	6/2019	Carter	.....	D3/217
D861,329 S *	10/2019	Wei	.....	D3/217
D879,464 S *	3/2020	Vario, Jr.	.....	D3/217
D880,847 S *	4/2020	Huang	.....	D3/217
D885,042 S *	5/2020	Li	.....	D3/217
D890,517 S *	7/2020	Smith	.....	
D895,272 S *	9/2020	Zhitian	.....	D3/217
D896,504 S *	9/2020	Li	.....	D3/217
D927,174 S *	8/2021	Dai	.....	D3/217
2019/0387866 A1 *	12/2019	Cheng	.....	A45C 13/04

\* cited by examiner

*Primary Examiner* — Jennifer L Watkins

(57) **CLAIM**

The ornamental design for a laptop backpack, as shown and described.

**DESCRIPTION**

FIG. 1 is a perspective view of a laptop backpack showing my new design;  
 FIG. 2 is another perspective view thereof;  
 FIG. 3 is a front elevational view thereof  
 FIG. 4 is a rear elevational view thereof;  
 FIG. 5 is a left side elevational view thereof;  
 FIG. 6 is a right side elevational view thereof;  
 FIG. 7 is a top plan view thereof; and,  
 FIG. 8 is a bottom plan view thereof.  
 The broken lines in the drawings depict portions of the laptop backpack that form no part of the claimed design.

(56) **References Cited**

**U.S. PATENT DOCUMENTS**

D314,470 S *	2/1991	Hutchins	.....	D3/283
D699,032 S	2/2014	BenDavid	.....	

**1 Claim, 8 Drawing Sheets**





FIG. 1



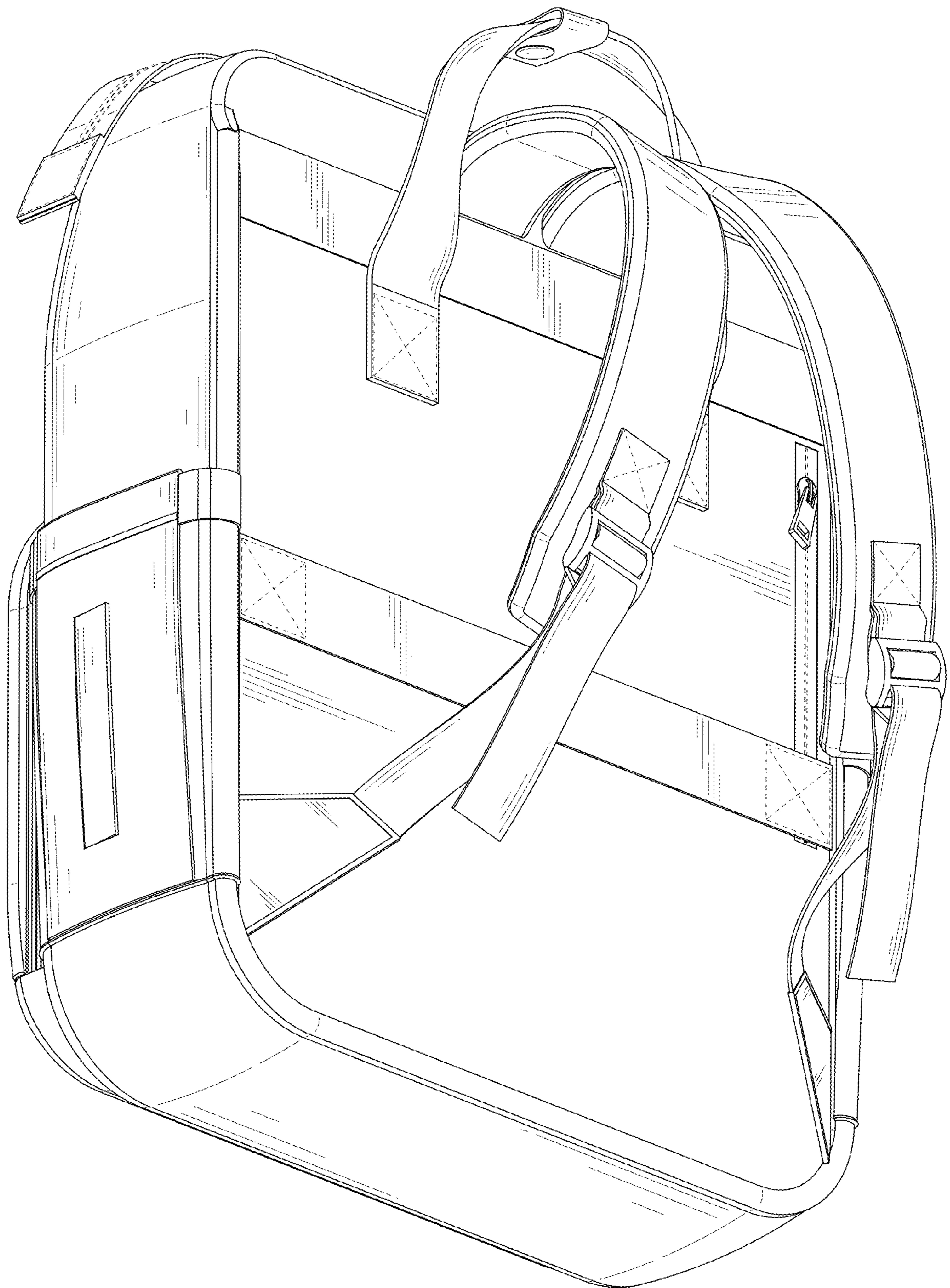


FIG. 2



FIG. 3

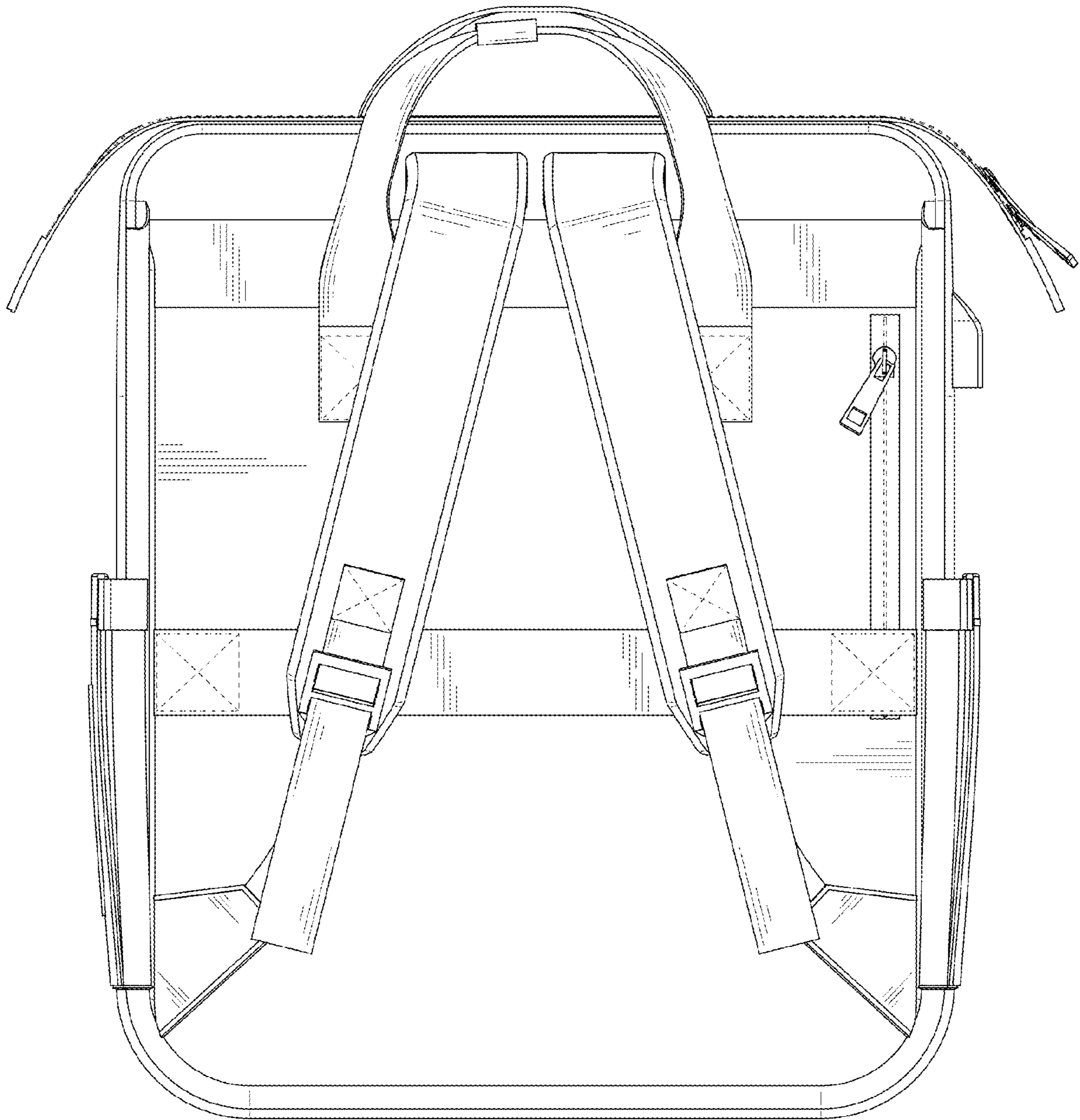


FIG. 4



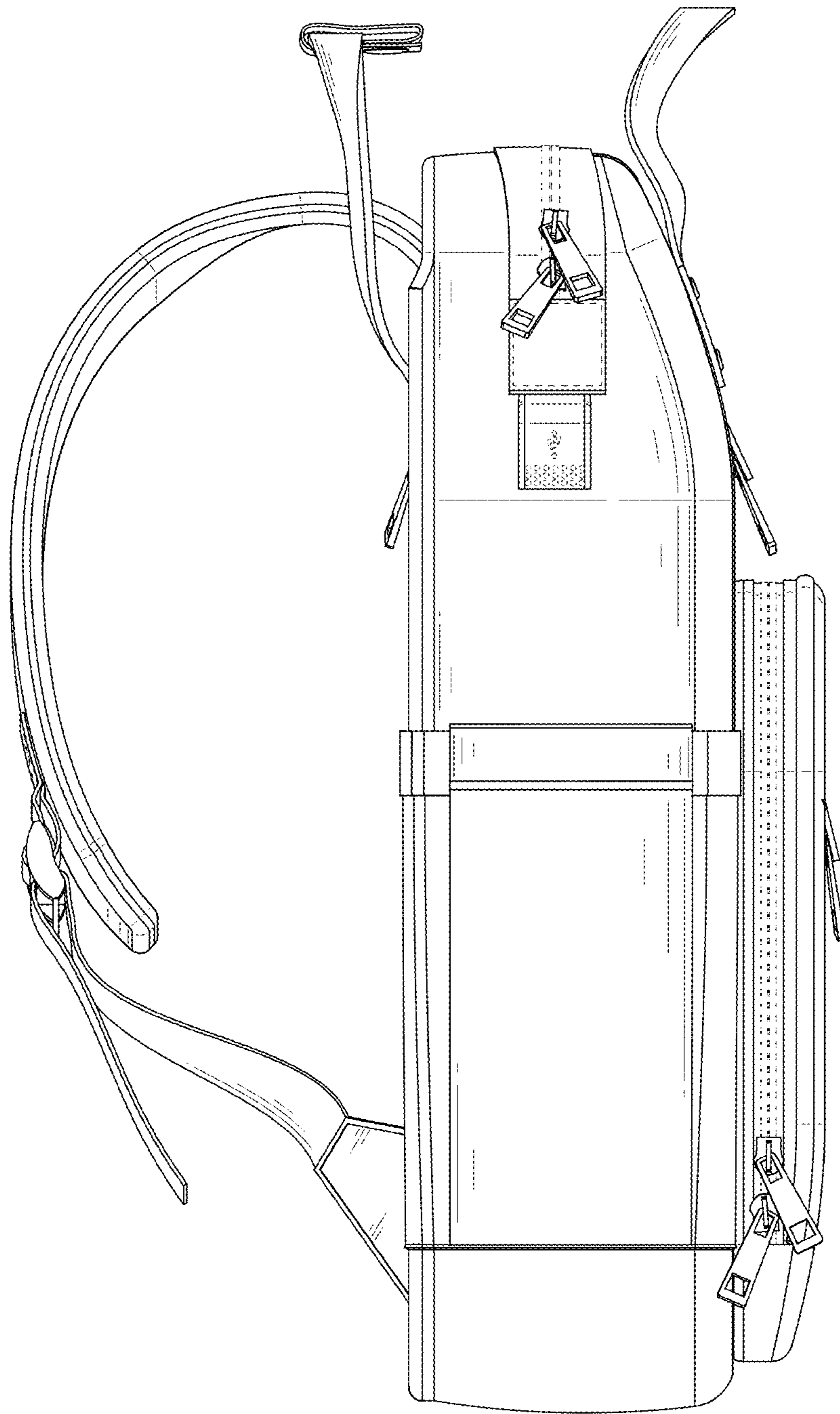


FIG. 5

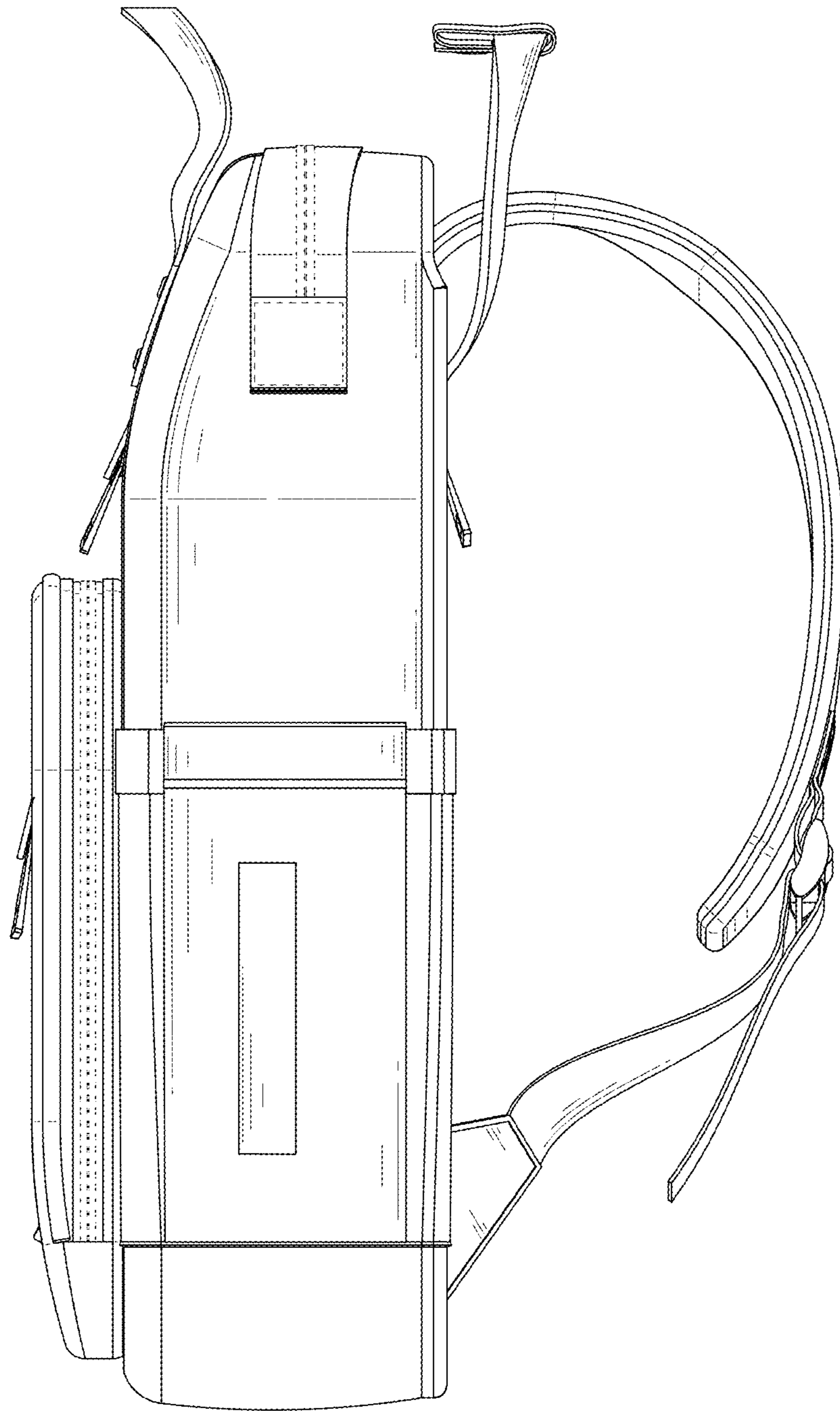


FIG. 6

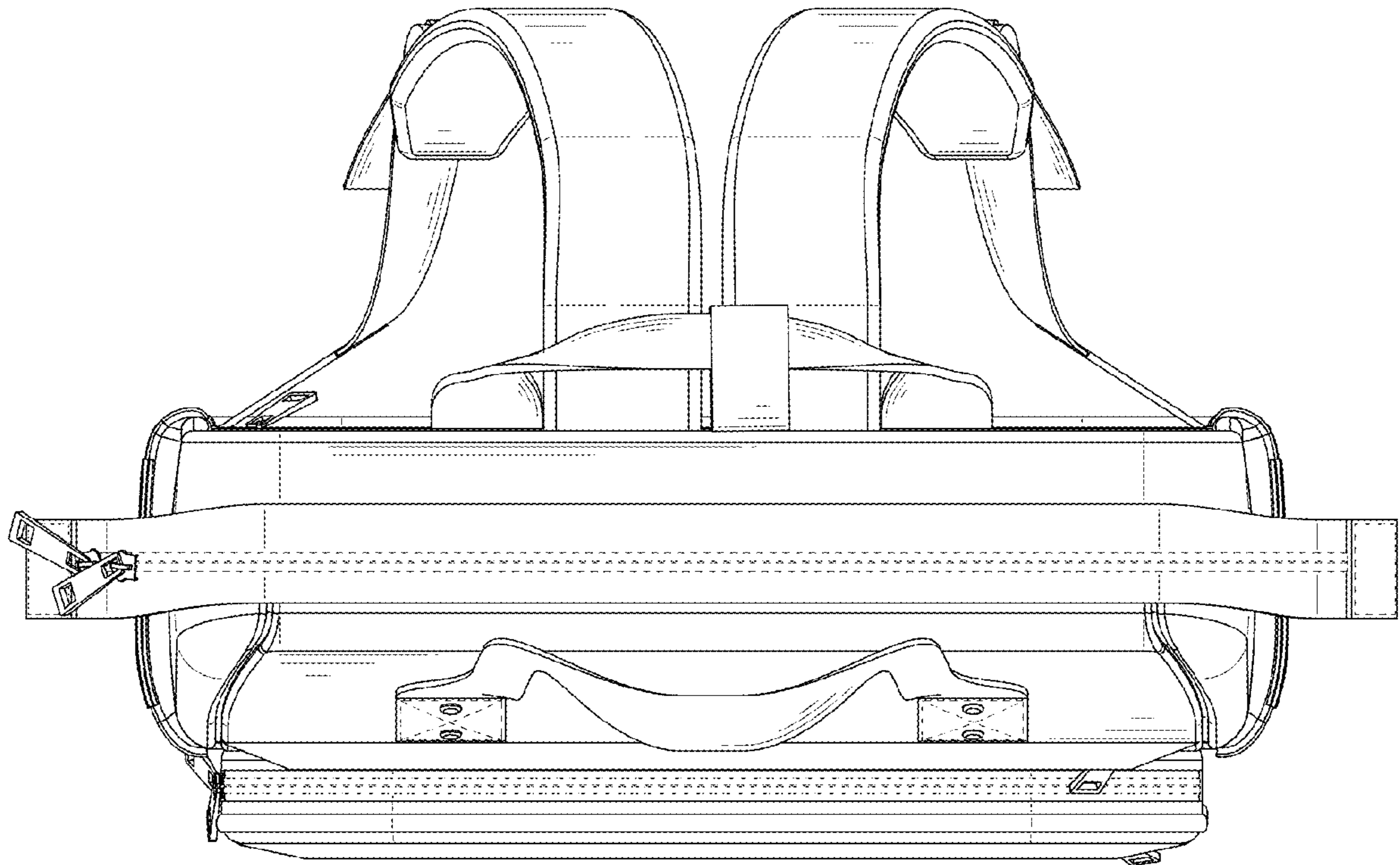


FIG. 7



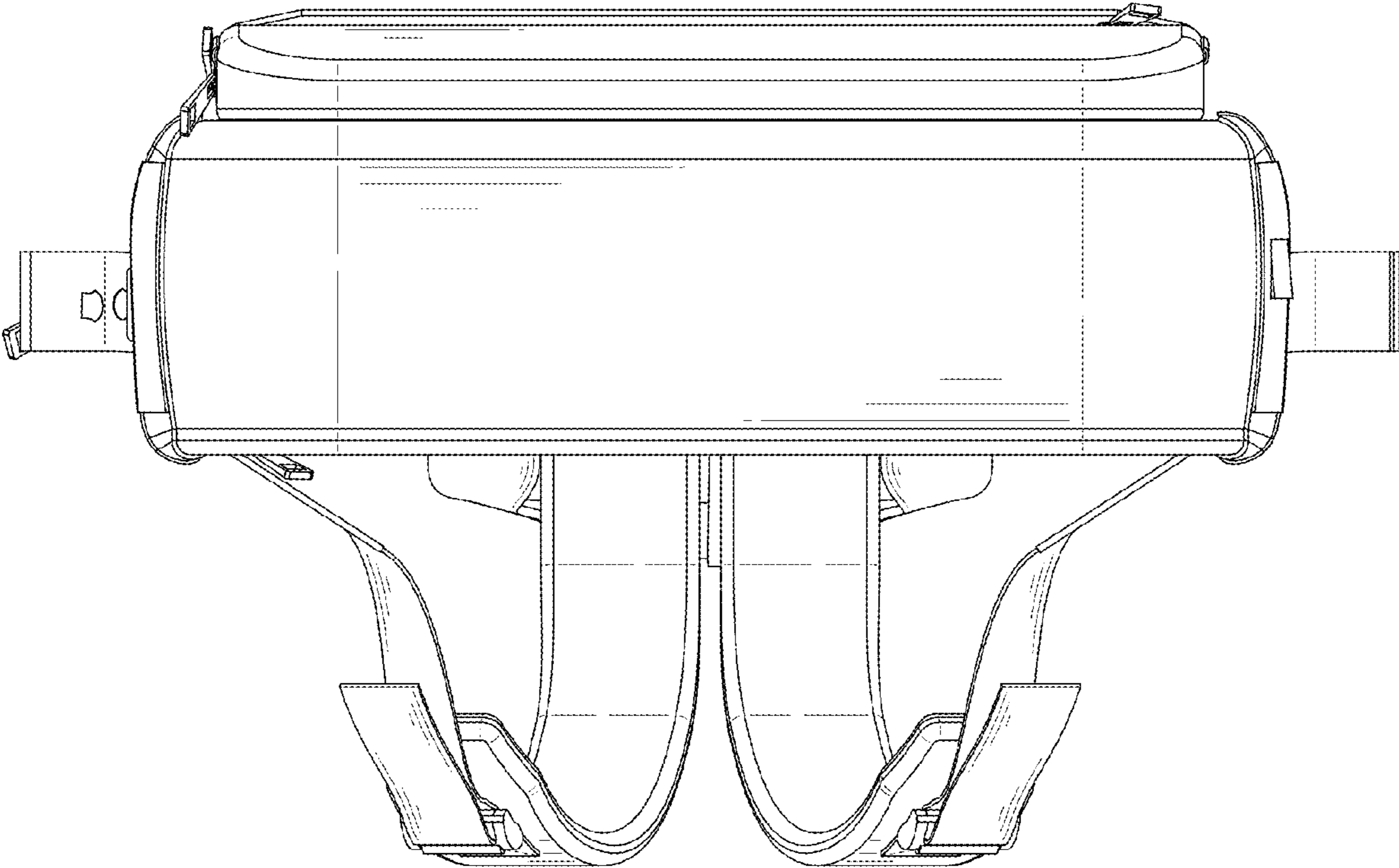


FIG. 8