



US00D941012S

(12) **United States Design Patent** (10) **Patent No.:** **US D941,012 S**
Prudente (45) **Date of Patent:** **** Jan. 18, 2022**

(54) **BACKPACK**
(71) Applicant: **Paul Prudente**, East Weymouth, MA (US)
(72) Inventor: **Paul Prudente**, East Weymouth, MA (US)
(**) Term: **15 Years**

D883,658 S * 5/2020 Lu D3/217
D912,974 S * 3/2021 Breines D3/217
11,033,092 B2 * 6/2021 Prudente A45F 4/02
11,059,625 B2 * 7/2021 Sofy B62B 1/10
2002/0176593 A1 11/2002 Magnusson
2003/0201291 A1* 10/2003 Kestler A45C 15/00
224/584
2005/0061844 A1 3/2005 Haro
2005/0284867 A1 12/2005 Sander

(21) Appl. No.: **29/703,205**

FOREIGN PATENT DOCUMENTS

DE 20112899 10/2001

(22) Filed: **Aug. 26, 2019**

OTHER PUBLICATIONS

(51) **LOC (13) Cl.** **03-01**

(52) **U.S. Cl.**
USPC **D3/217; D32/37**

United Solutions, Amazon—Laundry Basket Shoulder Strap, <https://www.amazon.com/United-Solutions-LN0330-Laundry-Shoulder/dp/BOOKL9HK76>, Mar. 2015.

(58) **Field of Classification Search**
USPC D3/216, 217; D32/37
CPC A45F 3/04; A45F 2003/003; A45F 3/02;
A45F 4/02; A45F 2003/045; A45F 3/12;
A45F 2003/122; A45F 2200/0575
See application file for complete search history.

* cited by examiner

Primary Examiner — Jennifer L Watkins
(74) *Attorney, Agent, or Firm* — Lambert Shortell & Connaughton; David J. Connaughton, Jr.; Justin P. Tinger

(56) **References Cited**

(57) **CLAIM**

U.S. PATENT DOCUMENTS

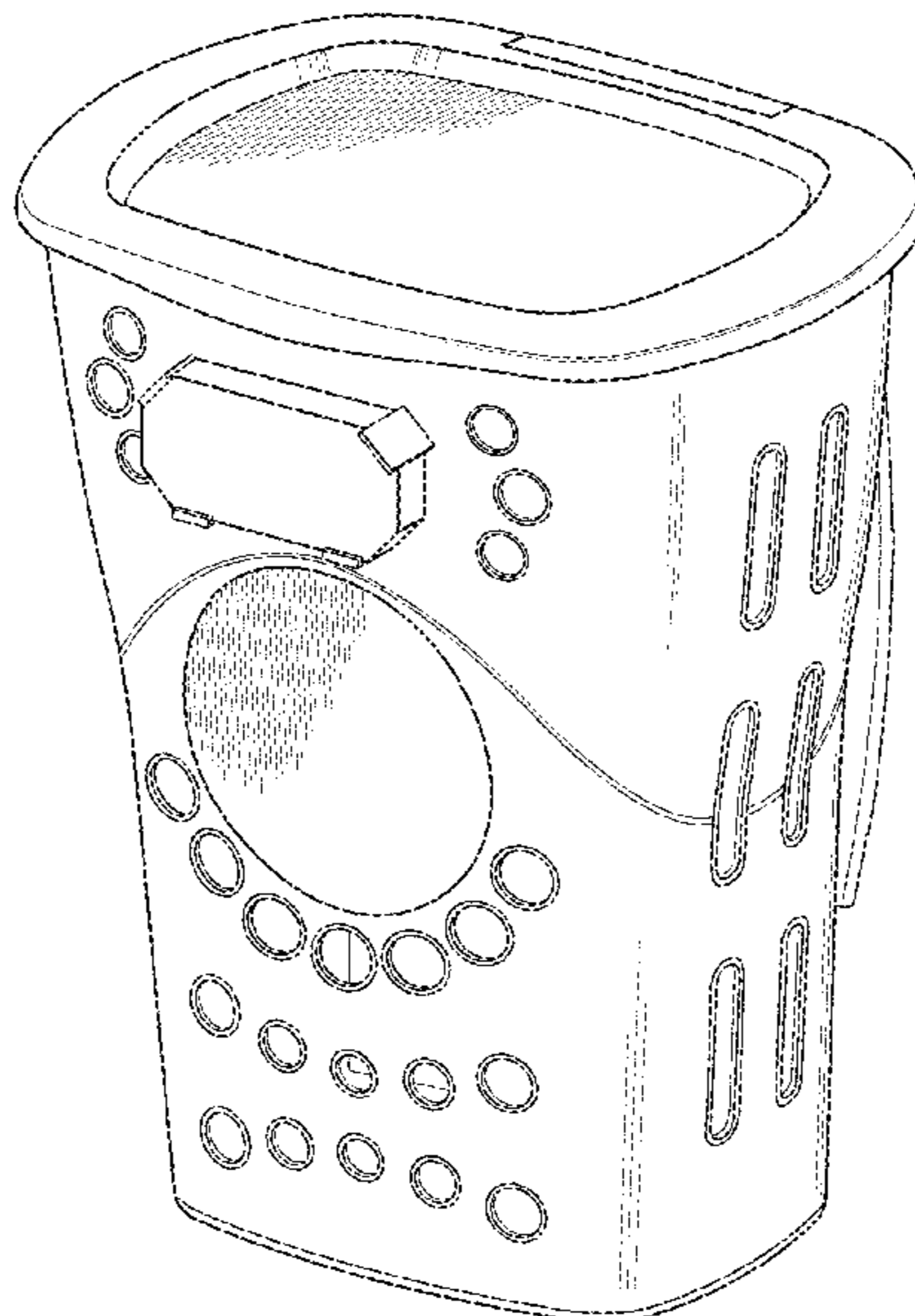
The ornamental design for the backpack, as shown and described.

3,902,640 A 9/1975 Geiben
4,673,117 A 6/1987 Calton
D416,116 S * 11/1999 Sofy D32/37
D419,734 S * 1/2000 Adams D32/37
D431,699 S * 10/2000 Sofy D32/37
6,729,519 B2 5/2004 Kestler
D544,159 S * 6/2007 McCoy B62B 1/006
D32/37
D632,071 S * 2/2011 Krauss D3/217
D653,026 S * 1/2012 Kelly D3/217
9,233,703 B2 1/2016 Kassab Arabo
D749,838 S * 2/2016 Romley D3/217
D750,368 S * 3/2016 Wronski D3/217
D805,762 S * 12/2017 Lopez Avila D3/217
D852,492 S * 7/2019 Anderson D3/217
D873,557 S * 1/2020 Pompliano D3/217
10,544,976 B2 * 1/2020 Triska A45C 13/008

DESCRIPTION

FIG. 1 is a perspective front view of the backpack, which embodies my design;
FIG. 2 is a rear perspective view thereof;
FIG. 3 is a front view thereof;
FIG. 4 is a rear view thereof;
FIG. 5 is a left side view thereof;
FIG. 6 is a right side view thereof;
FIG. 7 is a bottom view thereof; and,
FIG. 8 is a top view thereof.

1 Claim, 7 Drawing Sheets



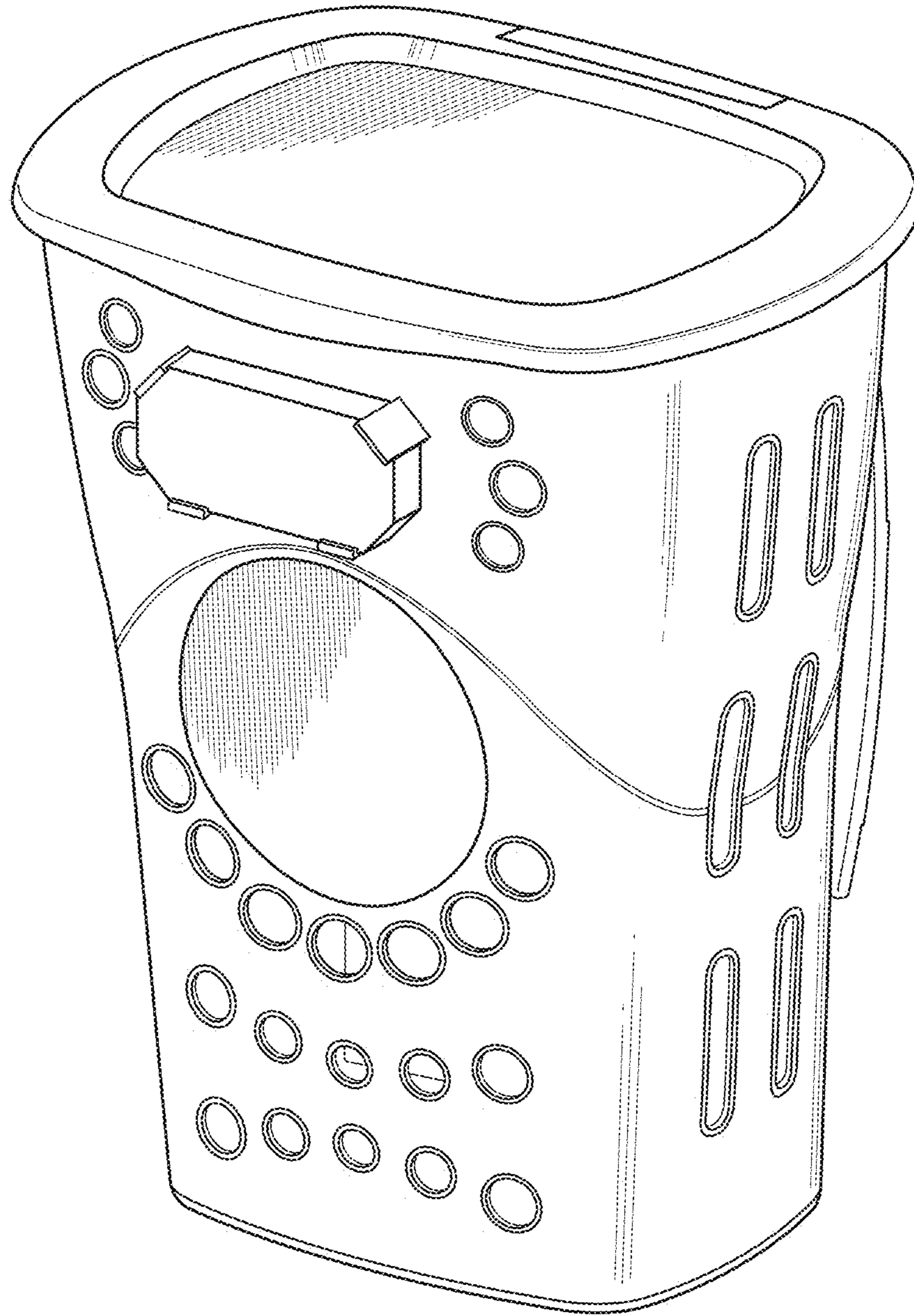


Fig. 1

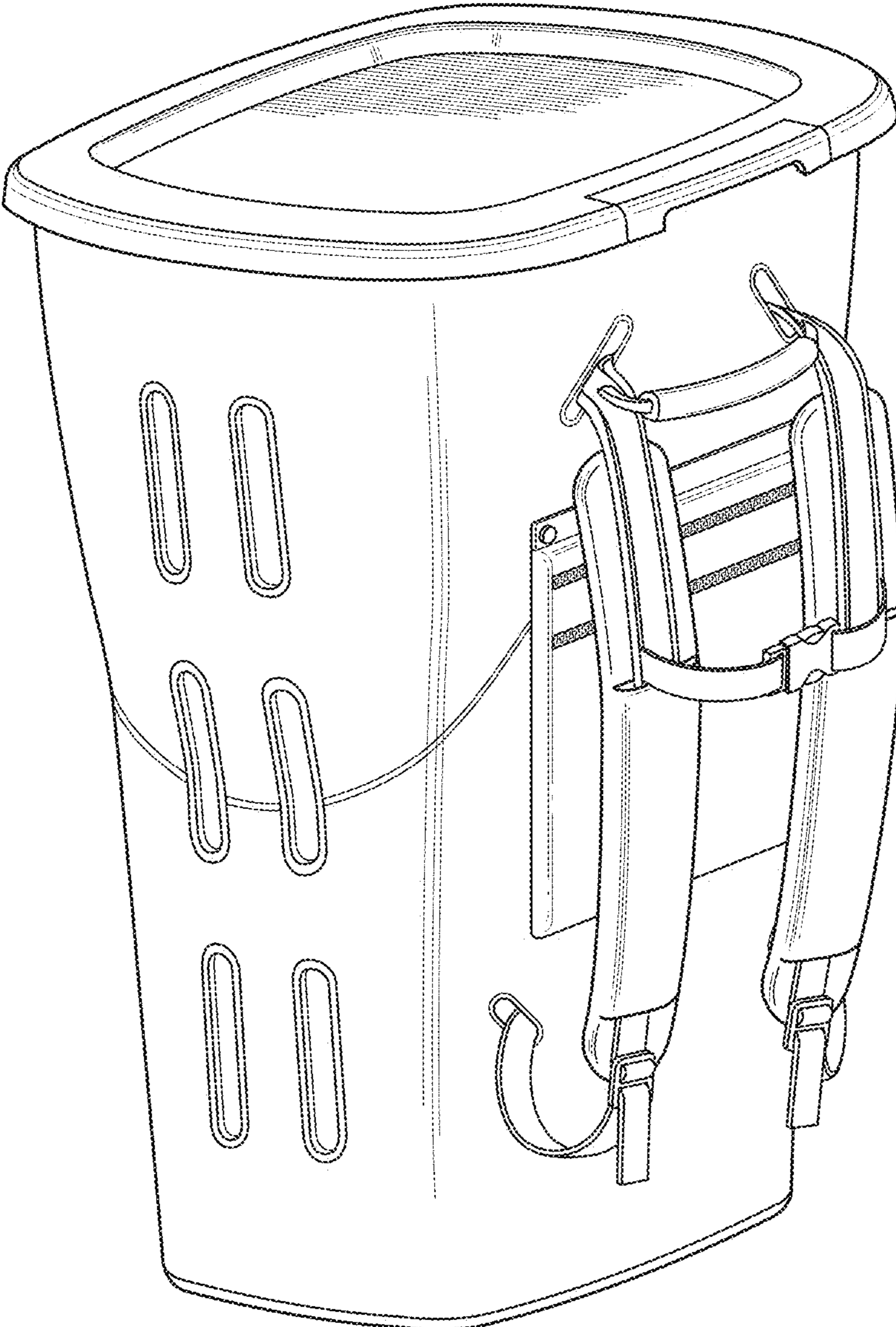


Fig. 2

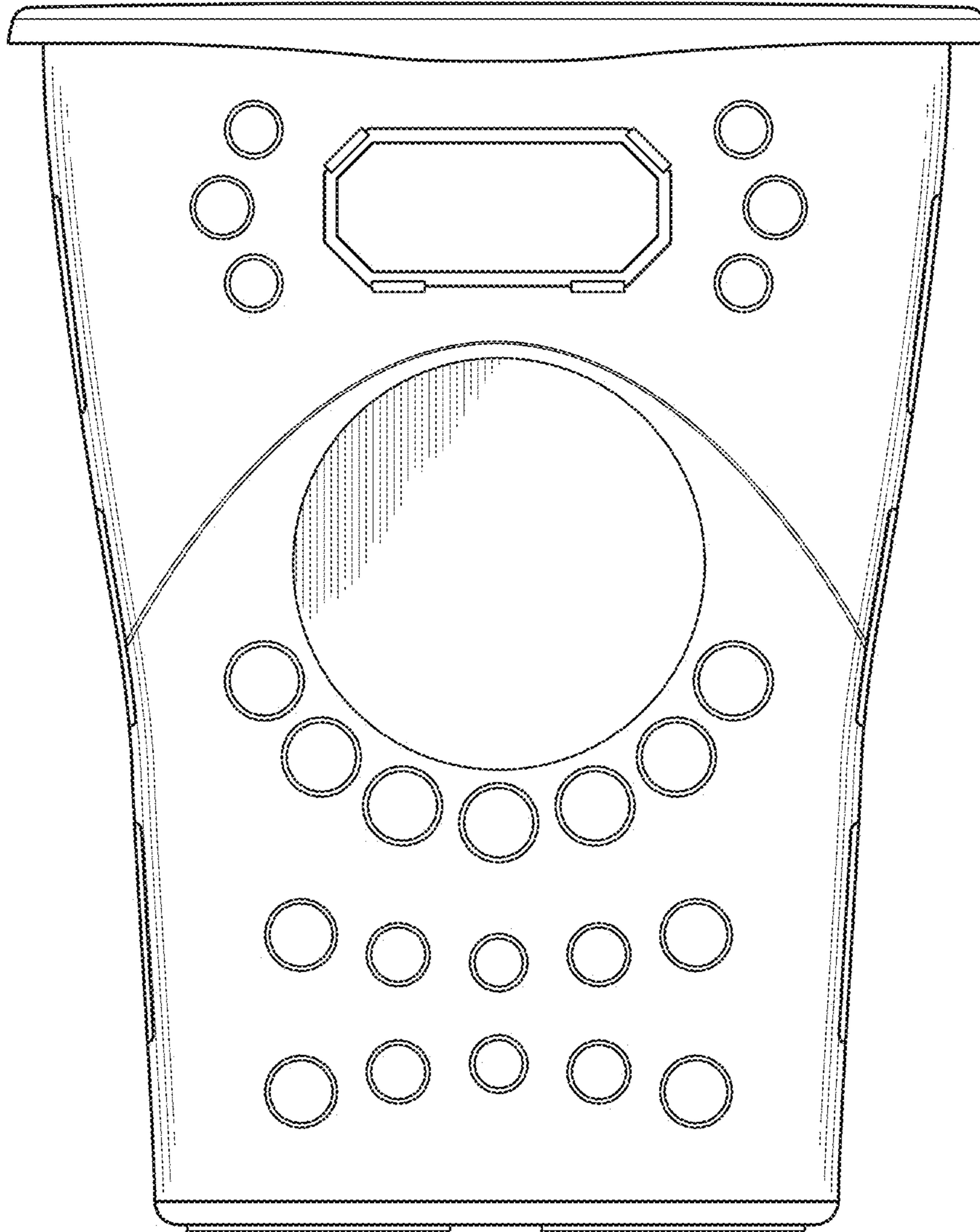


Fig. 3

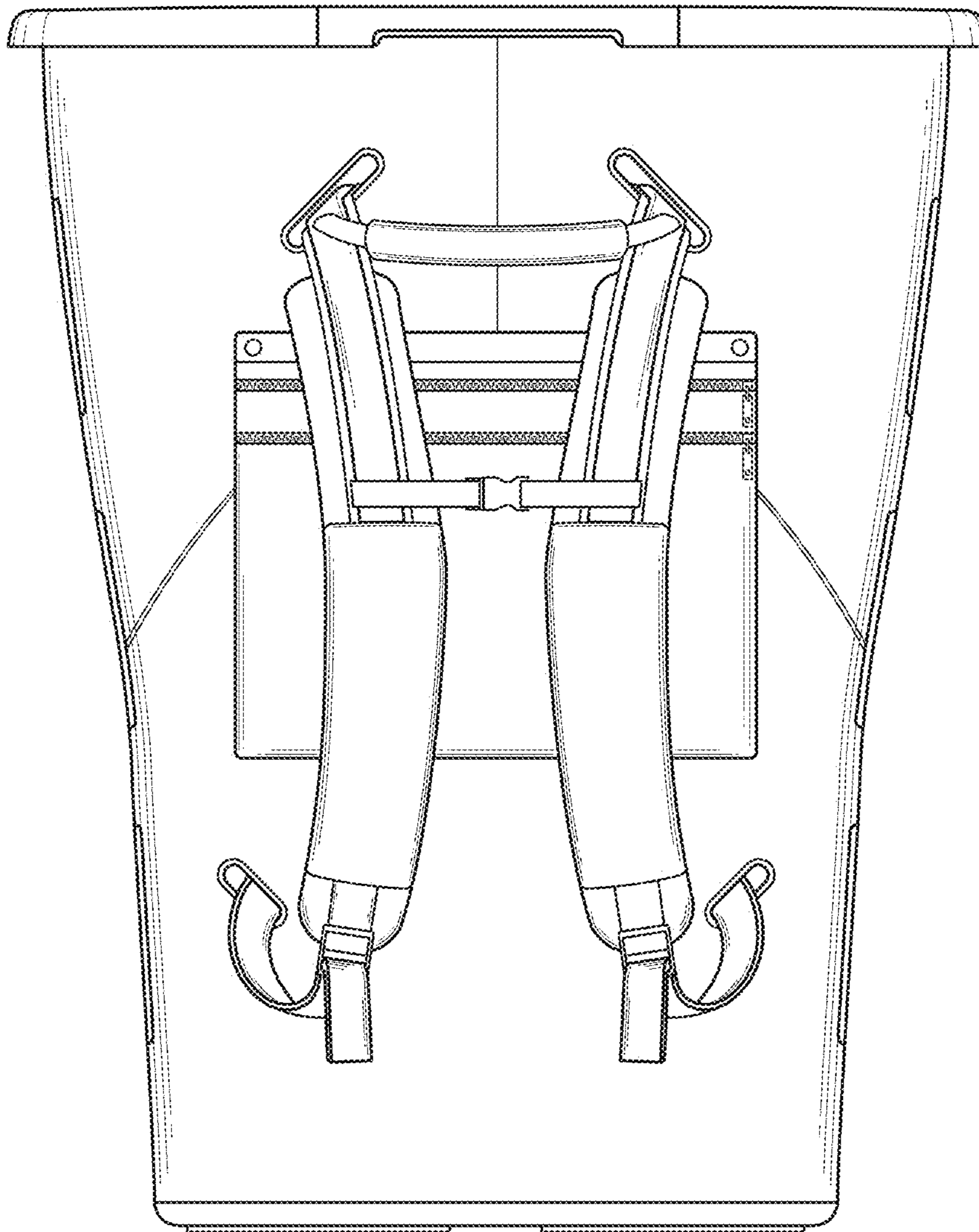


Fig. 4

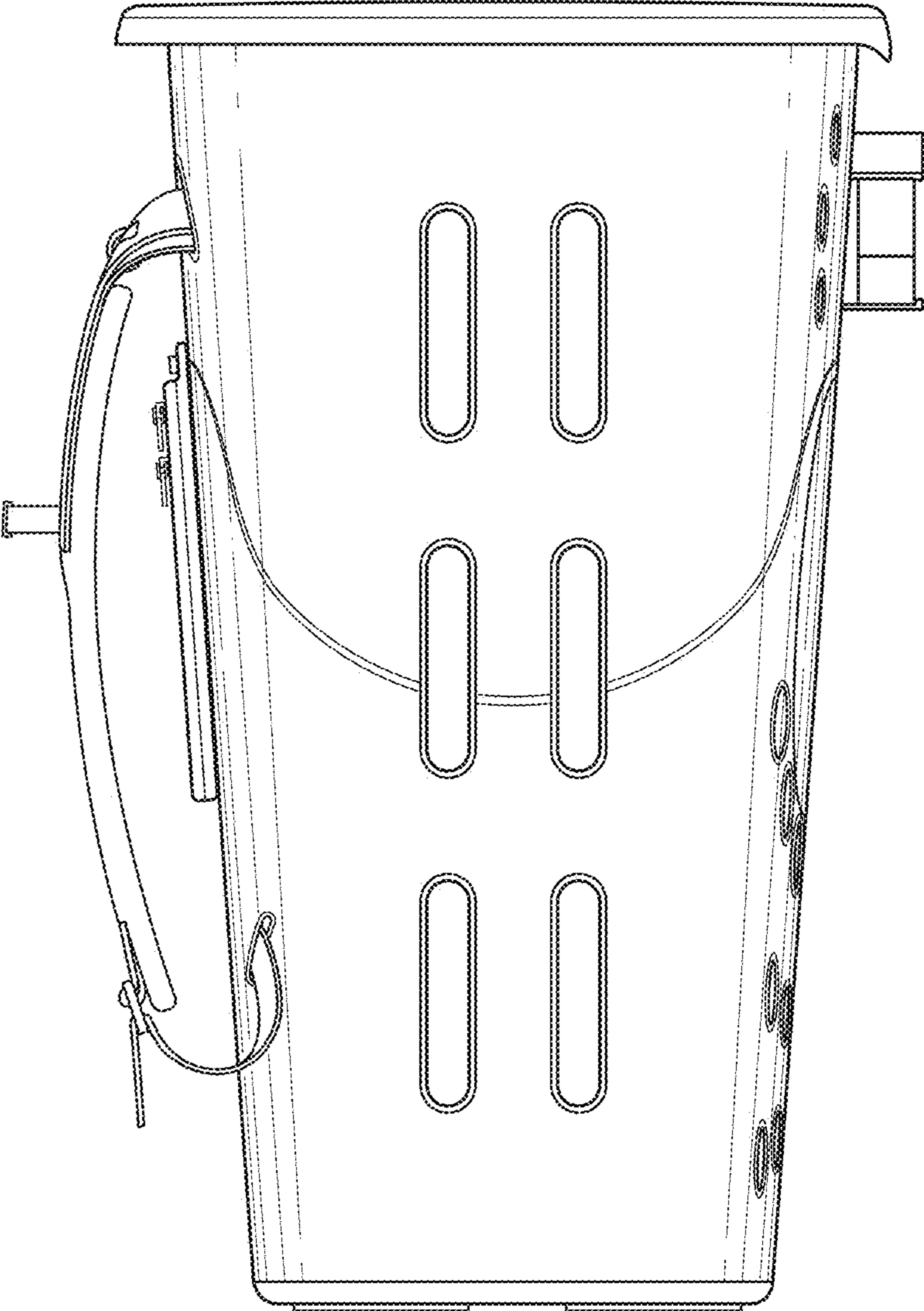


Fig. 5

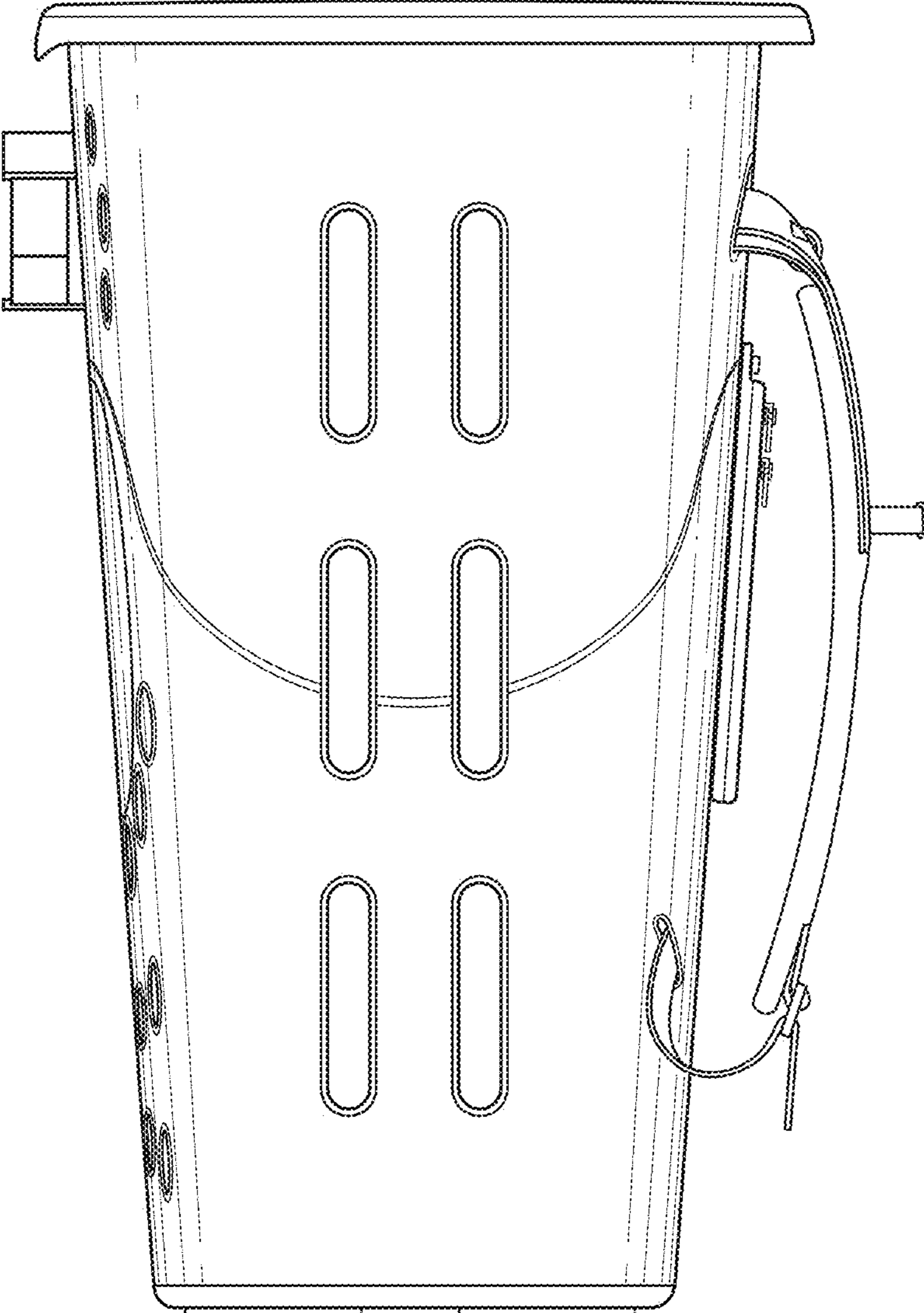


Fig. 6

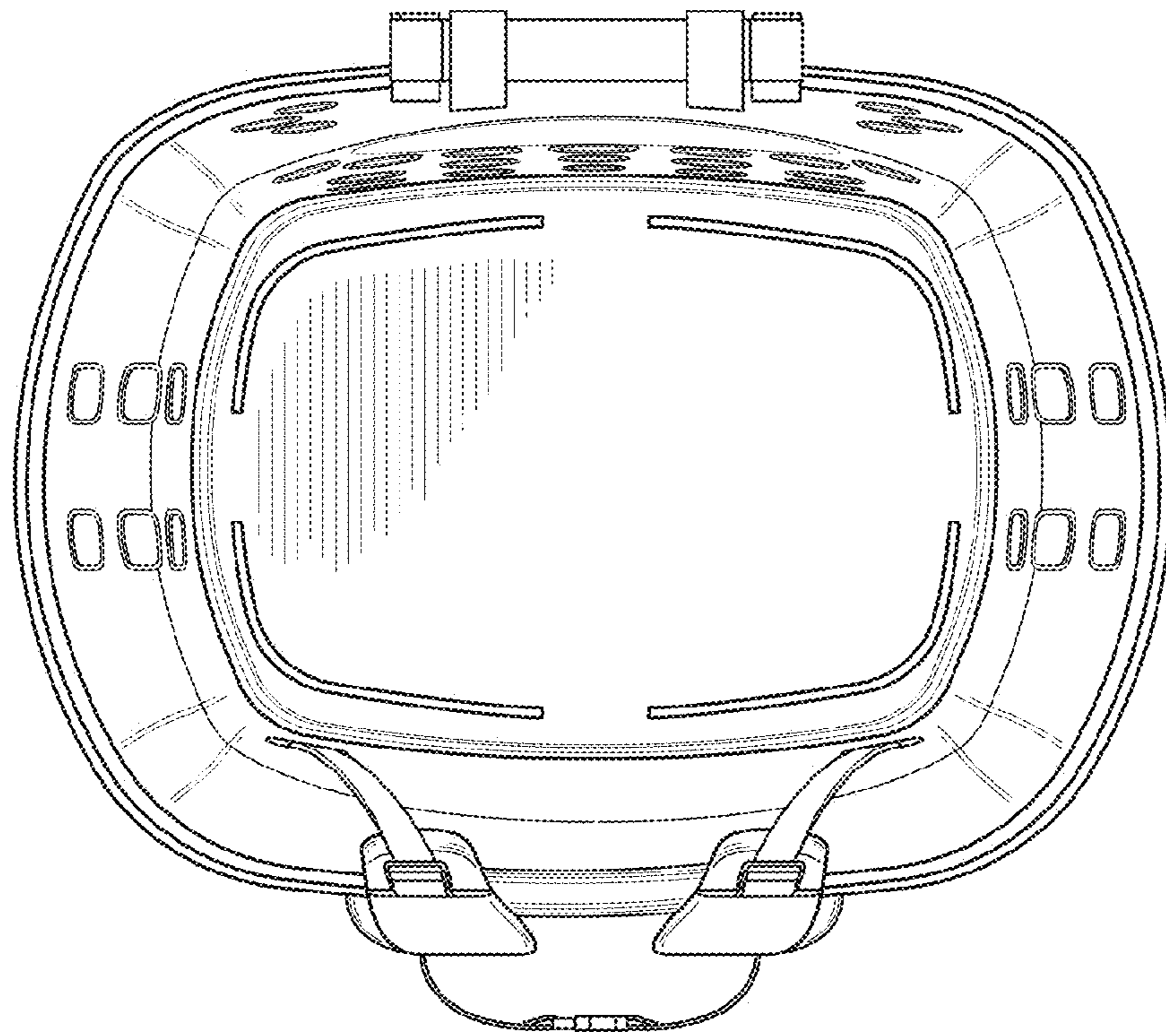


Fig. 7

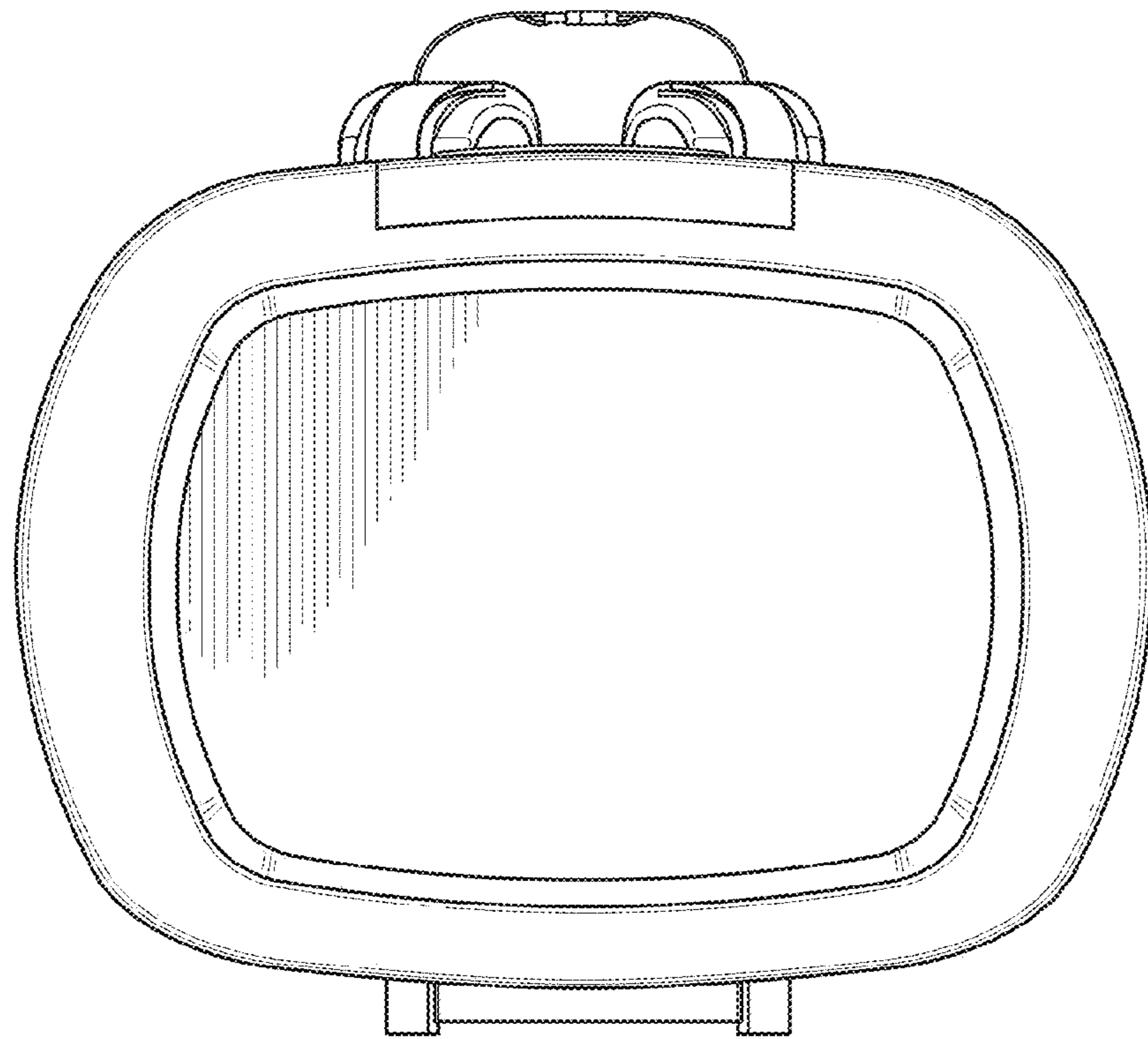


Fig. 8